

[54] VIDEO DATA AND GRAPHICS DISPLAY TERMINAL

[76] Inventors: David E. Boudreau, 294 Lincoln St., Leominster, Mass. 01453; Christian C. Landry, 9 Nash Rd., Acton, Mass. 01720; Duane M. Loose, 78 Leonard Rd., Boxboro, Mass. 01719; David S. Urbanus, 6 Wichern Rd., South Easton, Mass. 02375

[**] Term: 14 Years

[21] Appl. No.: 406,676

[22] Filed: Aug. 9, 1982

[52] U.S. Cl. D14/113

[58] Field of Search D14/100, 101, 105-116, D14/77, 80; 340/700, 711, 365 R; 364/900

[56] References Cited

U.S. PATENT DOCUMENTS

- D. 150,251 7/1948 Pettigrew D14/80
- D. 230,026 1/1974 Sims D14/80
- D. 249,344 9/1978 Zierhut D14/113

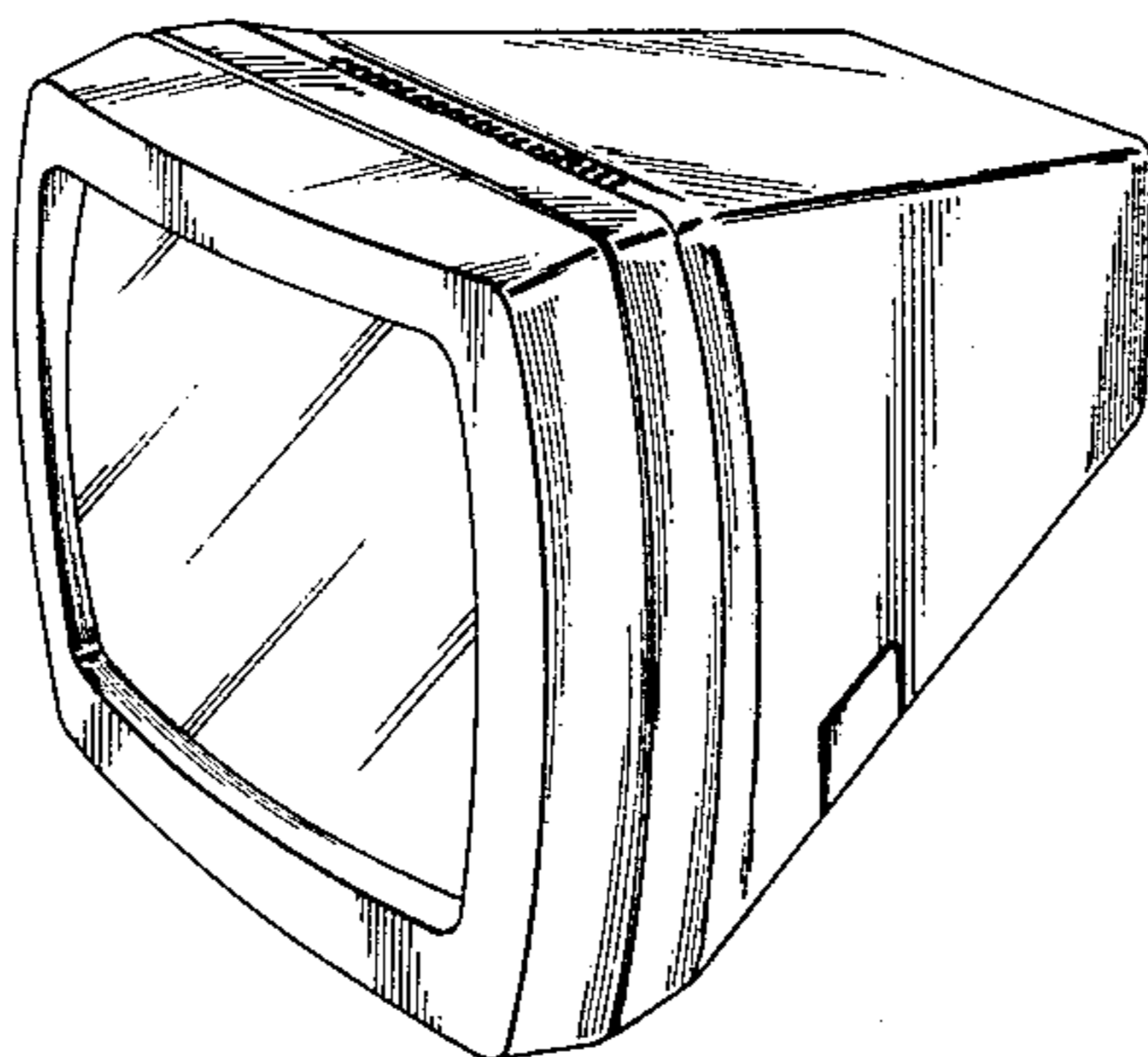
Primary Examiner—Susan J. Lucas
Attorney, Agent, or Firm—Ronald T. Reiling; Lester S. Grodberg

[57] CLAIM

The ornamental design for a video data and graphics display terminal, substantially as shown and described.

DESCRIPTION

FIG. 1 is an isometric view of a video data and graphics display terminal embodying our new design; FIG. 2 is a right side view thereof; FIG. 3 is a top view thereof; FIG. 4 is a rear view thereof.



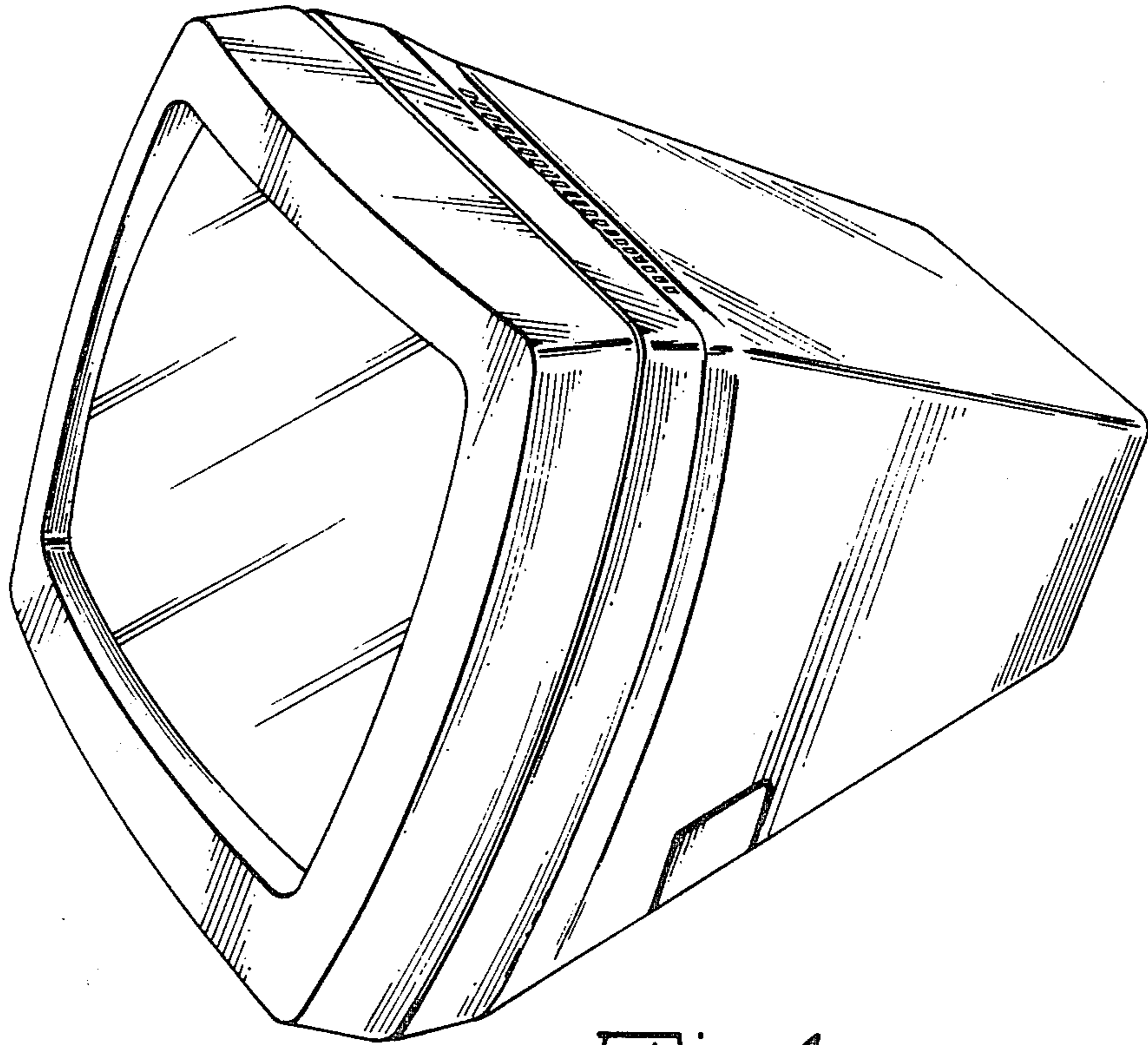


Fig. 1.

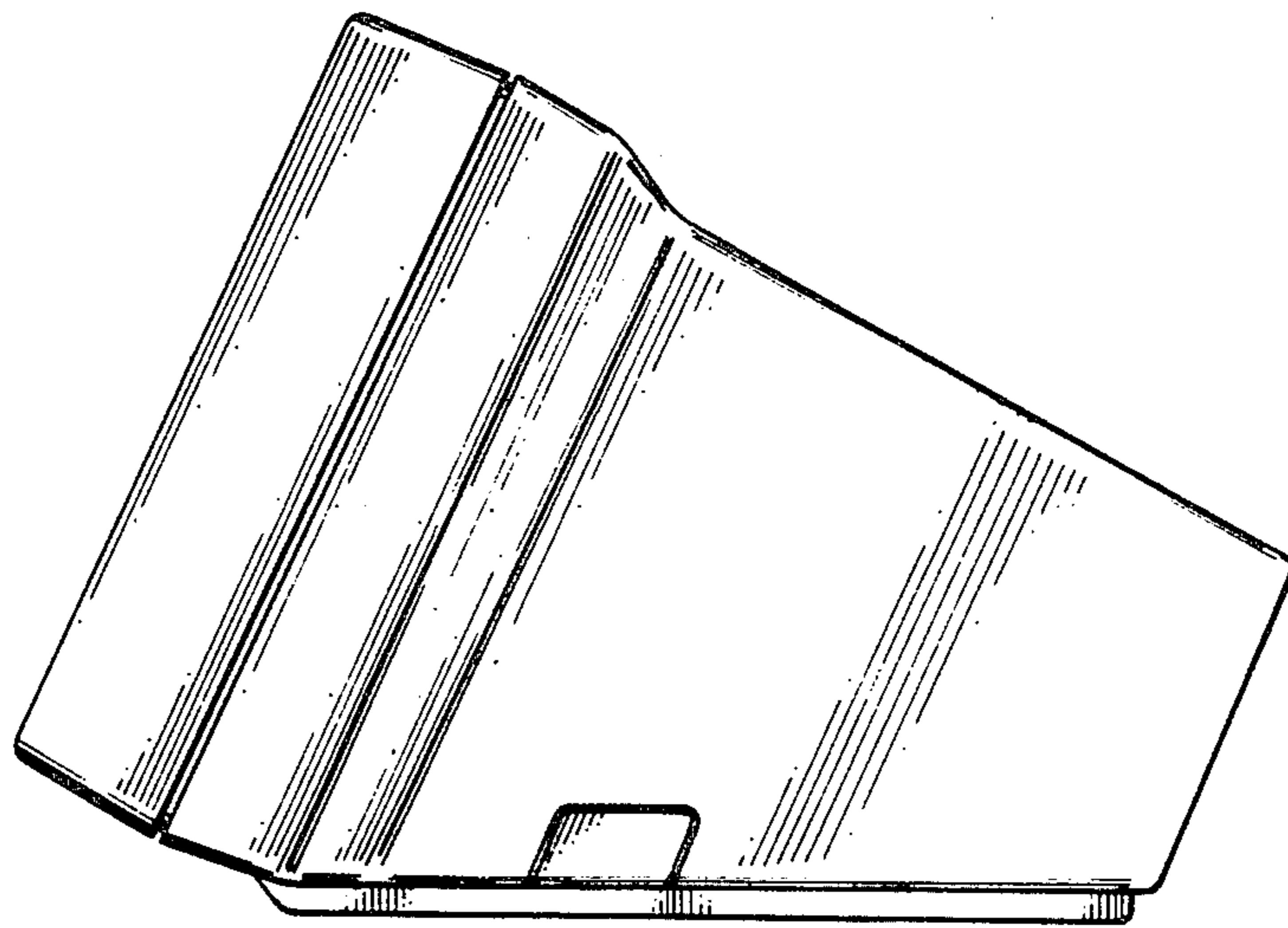


Fig. 2.

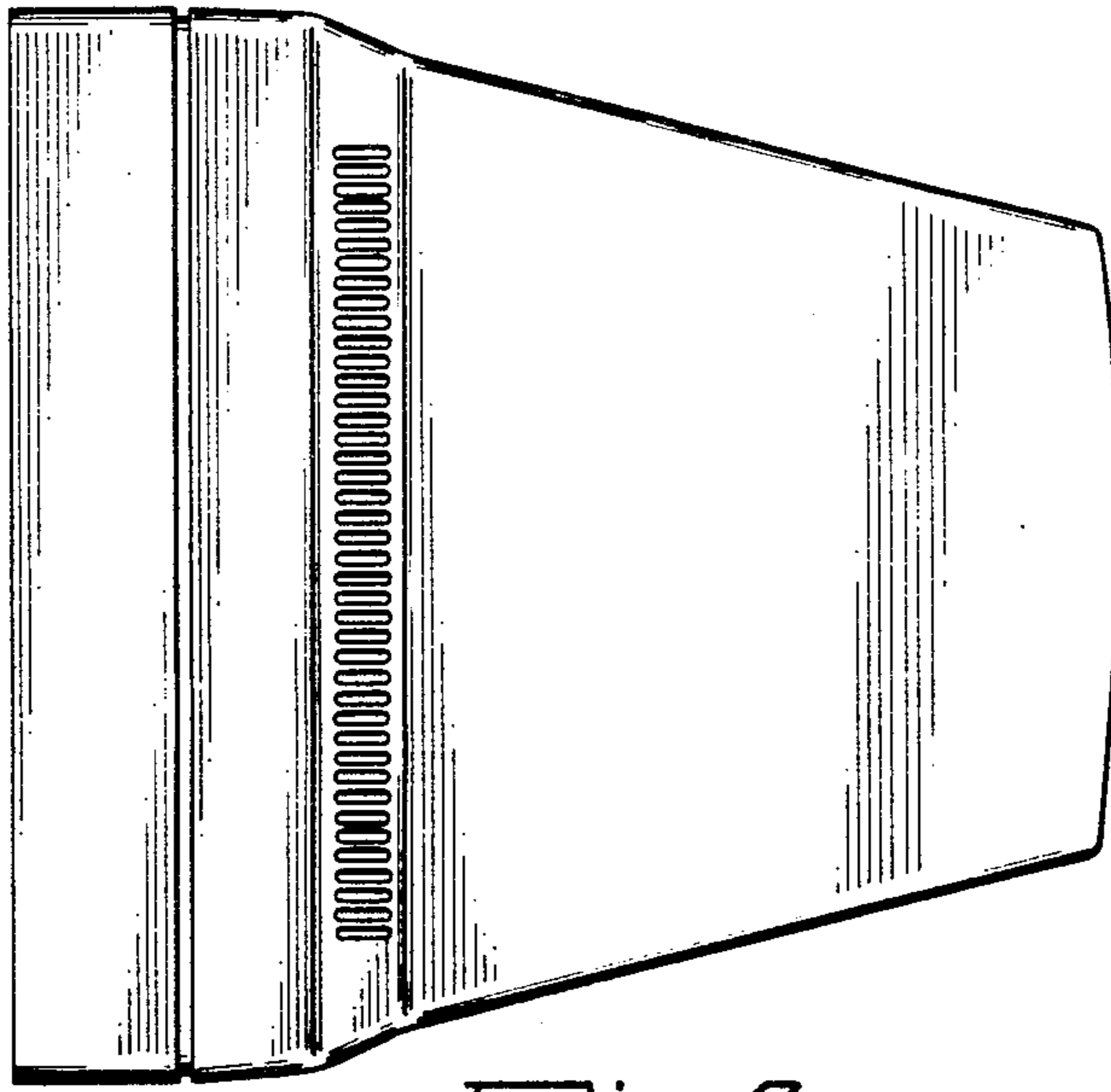


Fig. 3.

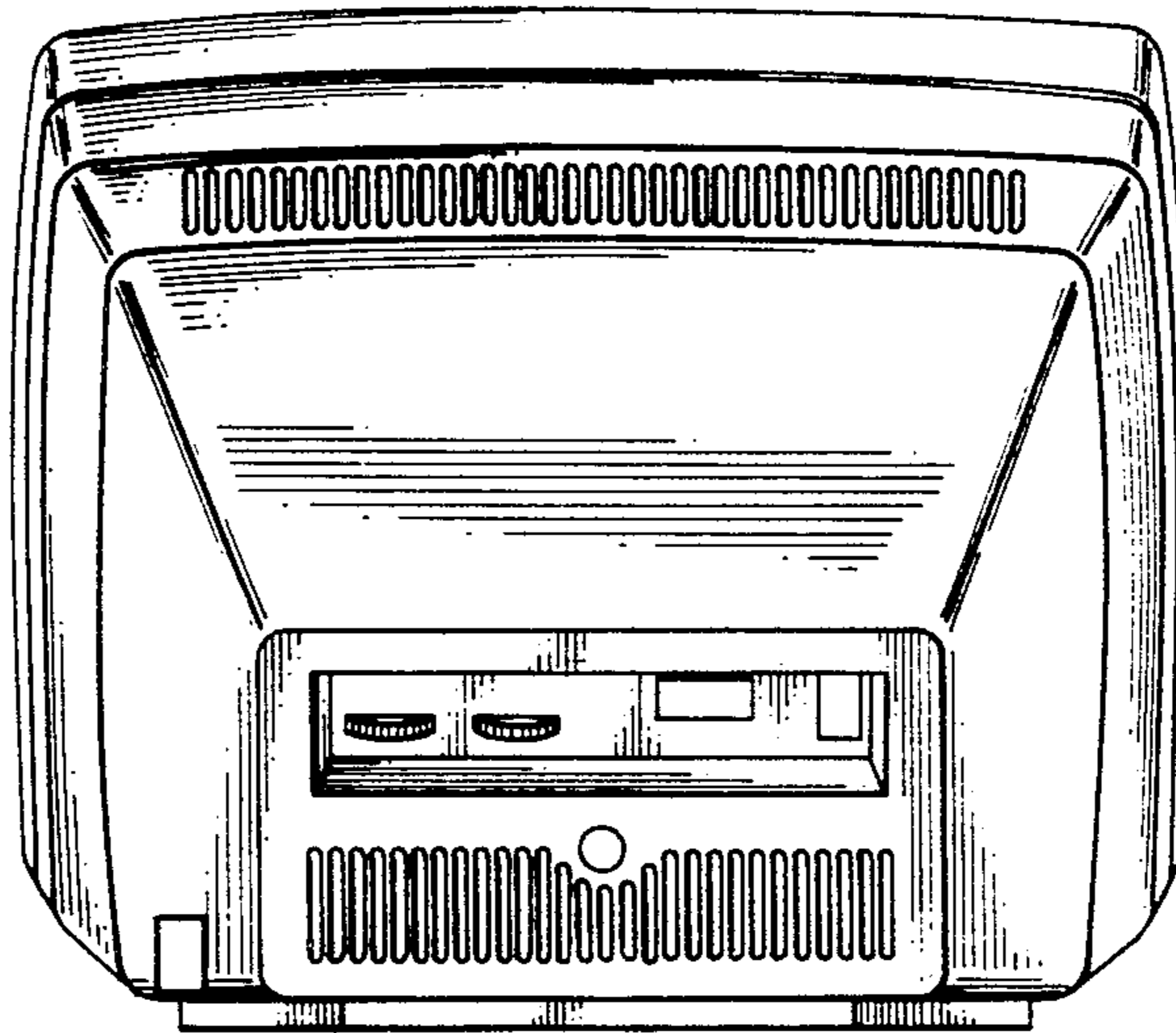


Fig. 4.