

[54] MAGNETIC CARD OPERATED,  
MICROPROCESSOR-BASED ACCESS,  
CYCLE AND TIME-MANAGEMENT  
CONTROL SYSTEM

[76] Inventors: Loren A. Schultz, 1617 Kenmare Dr.,  
Dresher, Pa. 19025; William N.  
Brownfield, Jr., 234 Wooded Way,  
Berwyn, Pa. 19312

[\*\*] Term: 14 Years

[21] Appl. No.: 358,866

[22] Filed: Mar. 17, 1982

[52] U.S. Cl. .... D14/105; D14/107

[58] Field of Search ..... 361/331, 332, 380, 390,  
361/391; D14/100, 102, 105, 107, 114, 116;  
235/300, 382, 454, 449, 441, 482; 250/239, 566,  
588, 589

[56] References Cited

U.S. PATENT DOCUMENTS

D. 221,384 8/1971 Molyneaux ..... D14/105  
4,277,689 7/1981 Thomas et al. .... D14/107

OTHER PUBLICATIONS

Office Products Dealer, 3-1980, p. 82, Danyl Corp.  
Keyboard Entry Unit for Controlling Copier Usage.

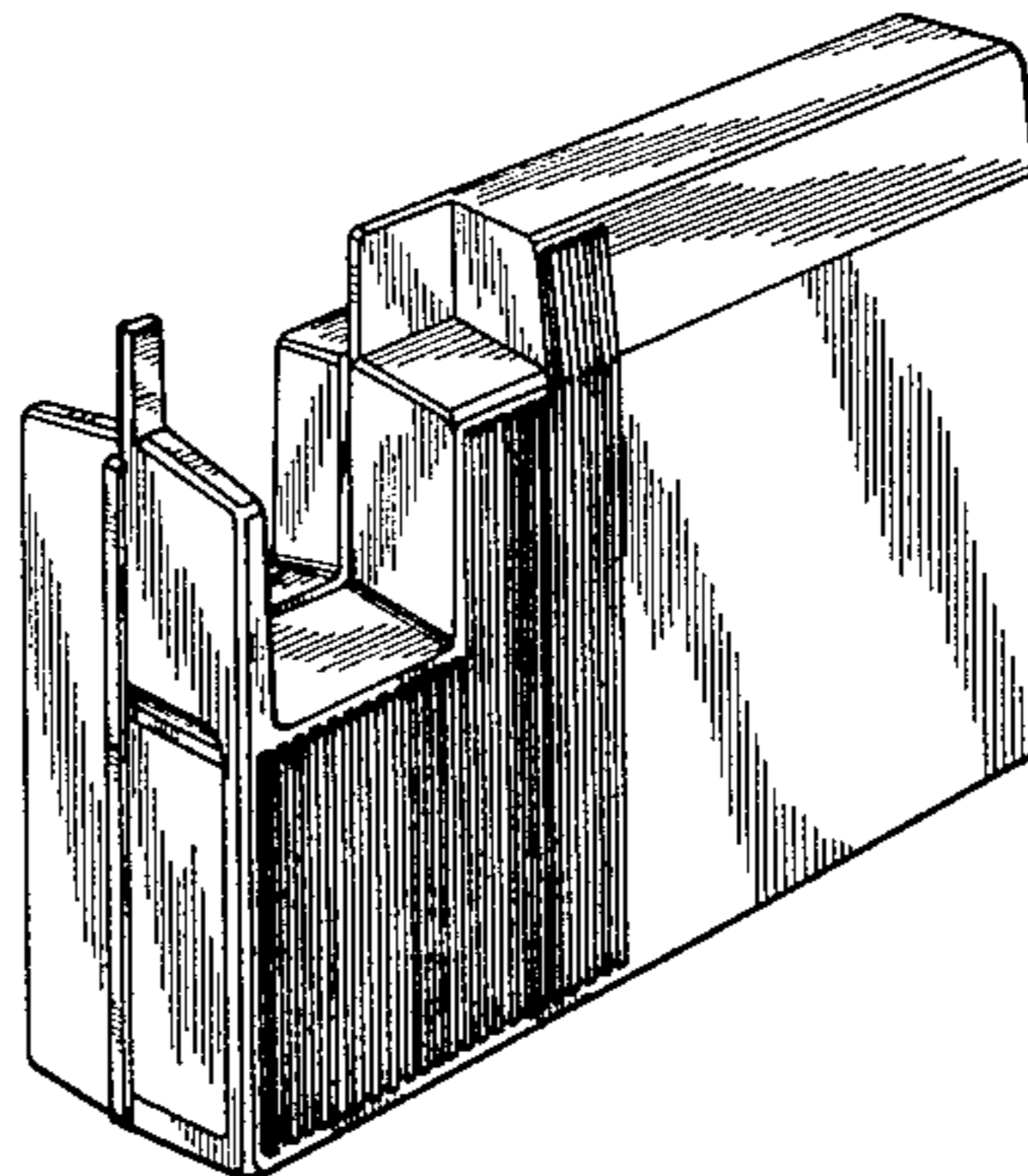
Primary Examiner—Susan J. Lucas

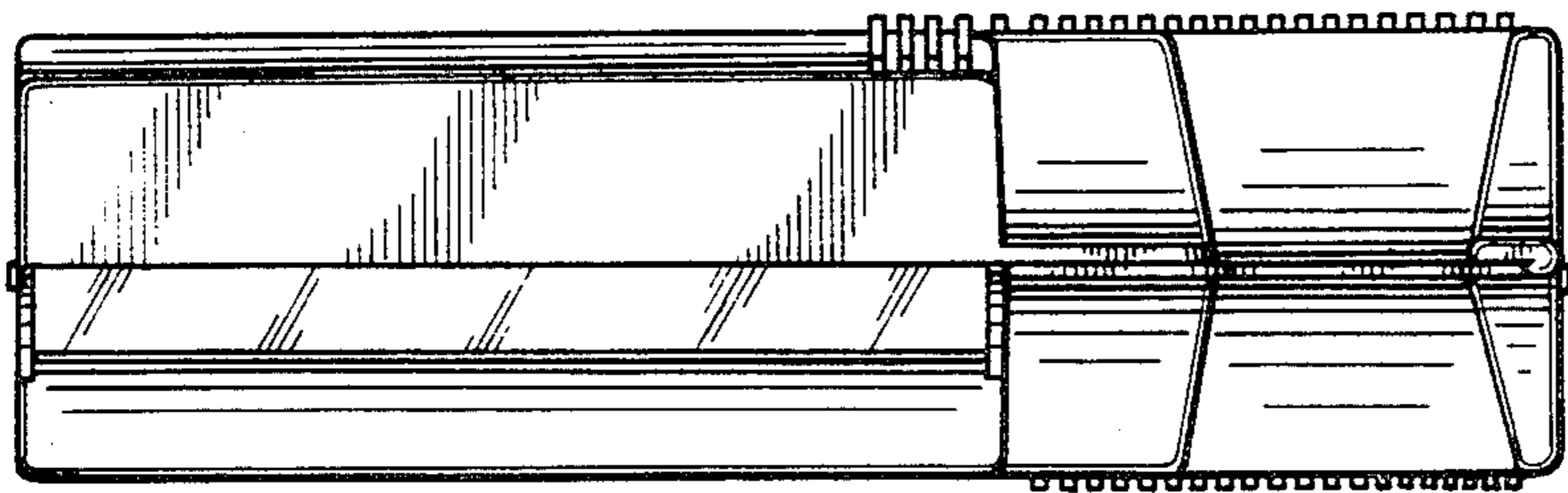
[57] CLAIM

The ornamental design for a magnetic card operated,  
microprocessor-based access, cycle and time-manage-  
ment control system, as shown and described.

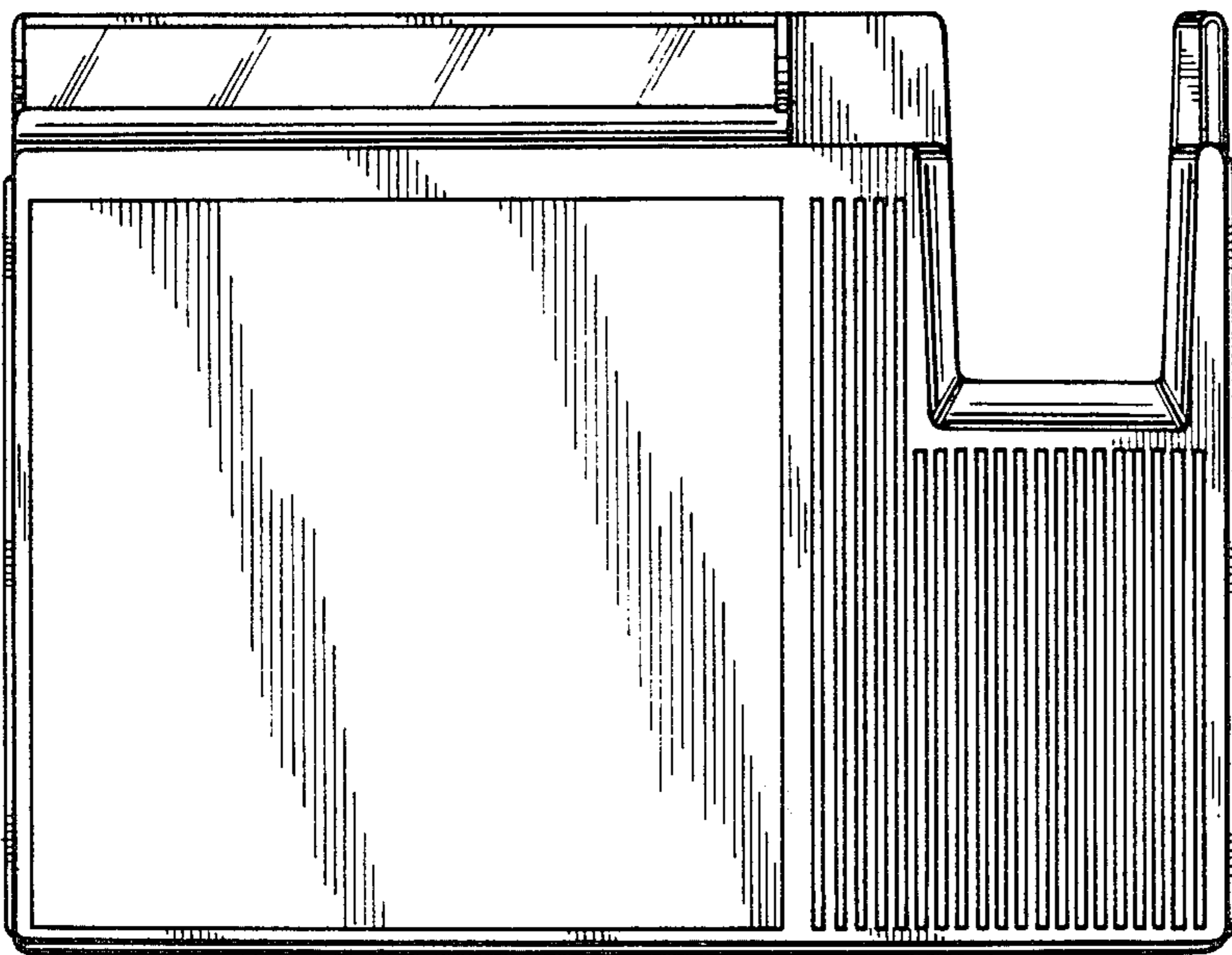
DESCRIPTION

FIG. 1 is a top view of the magnetic card operated  
microprocessor-based access cycle and time-manage-  
ment control system, showing our new design;  
FIG. 2 is a front view thereof;  
FIG. 3 is a side view thereof;  
FIG. 4 is a bottom view thereof;  
FIG. 5 is a front perspective view thereof;  
FIG. 6 is a rear perspective view thereof.

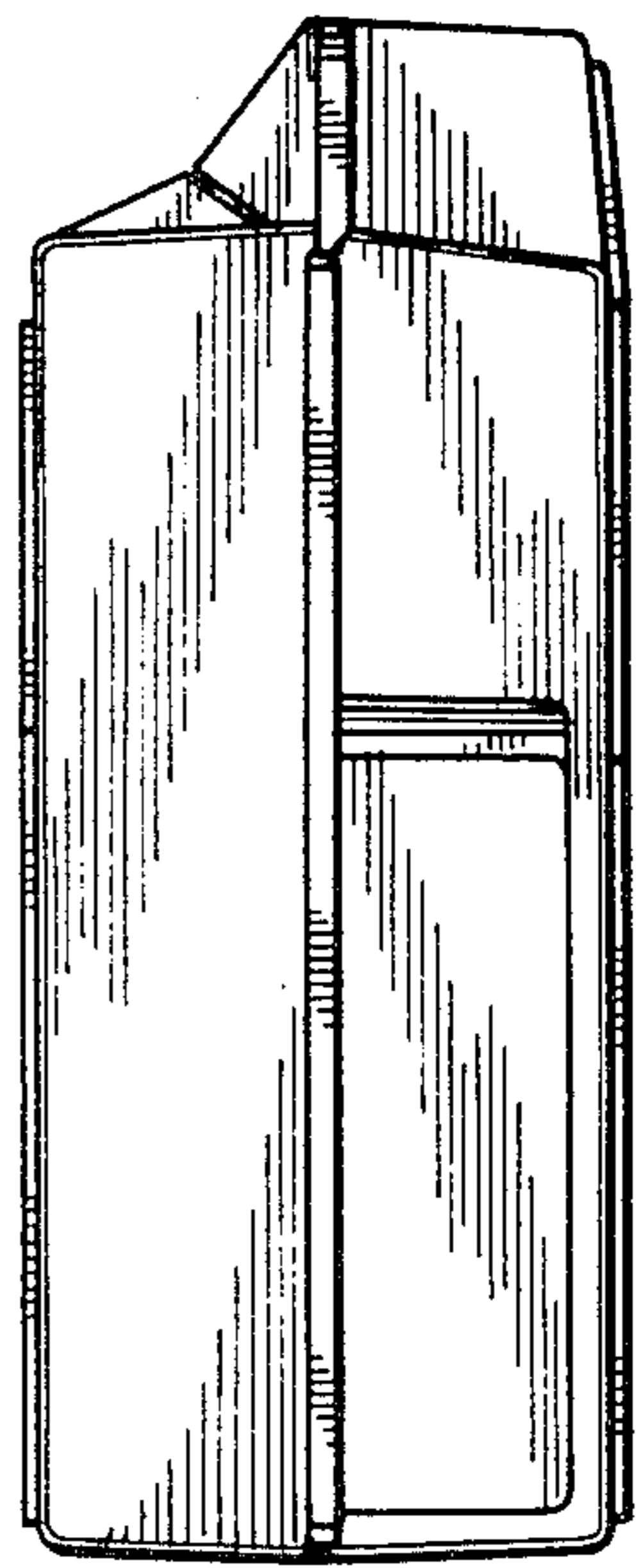




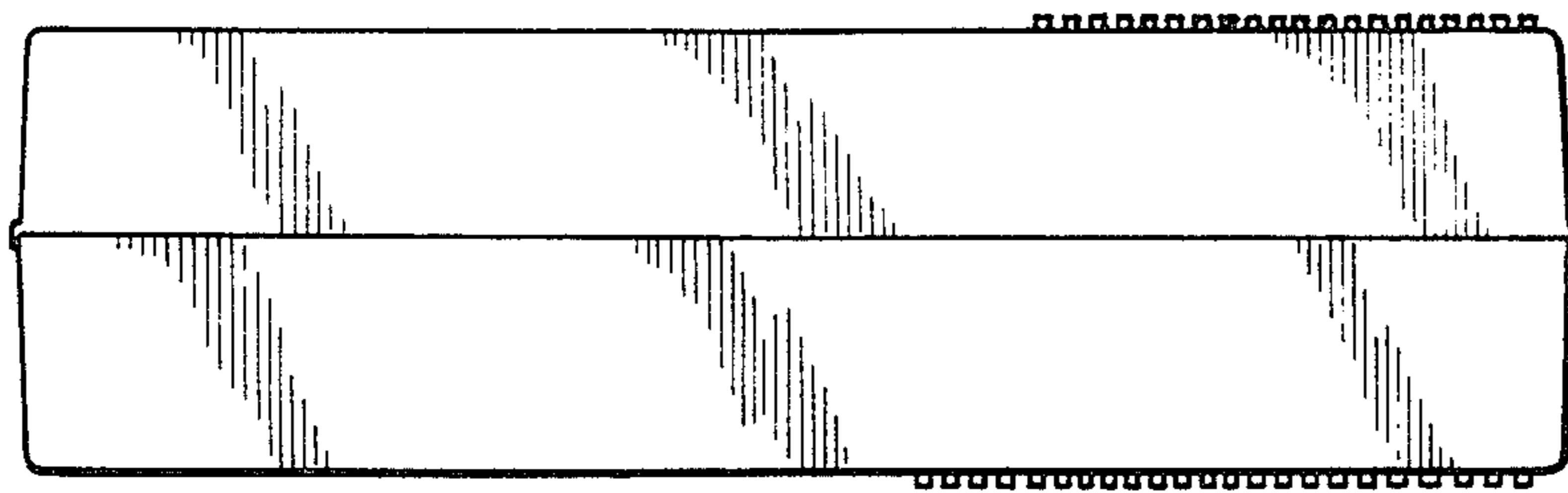
*Fig. 1*



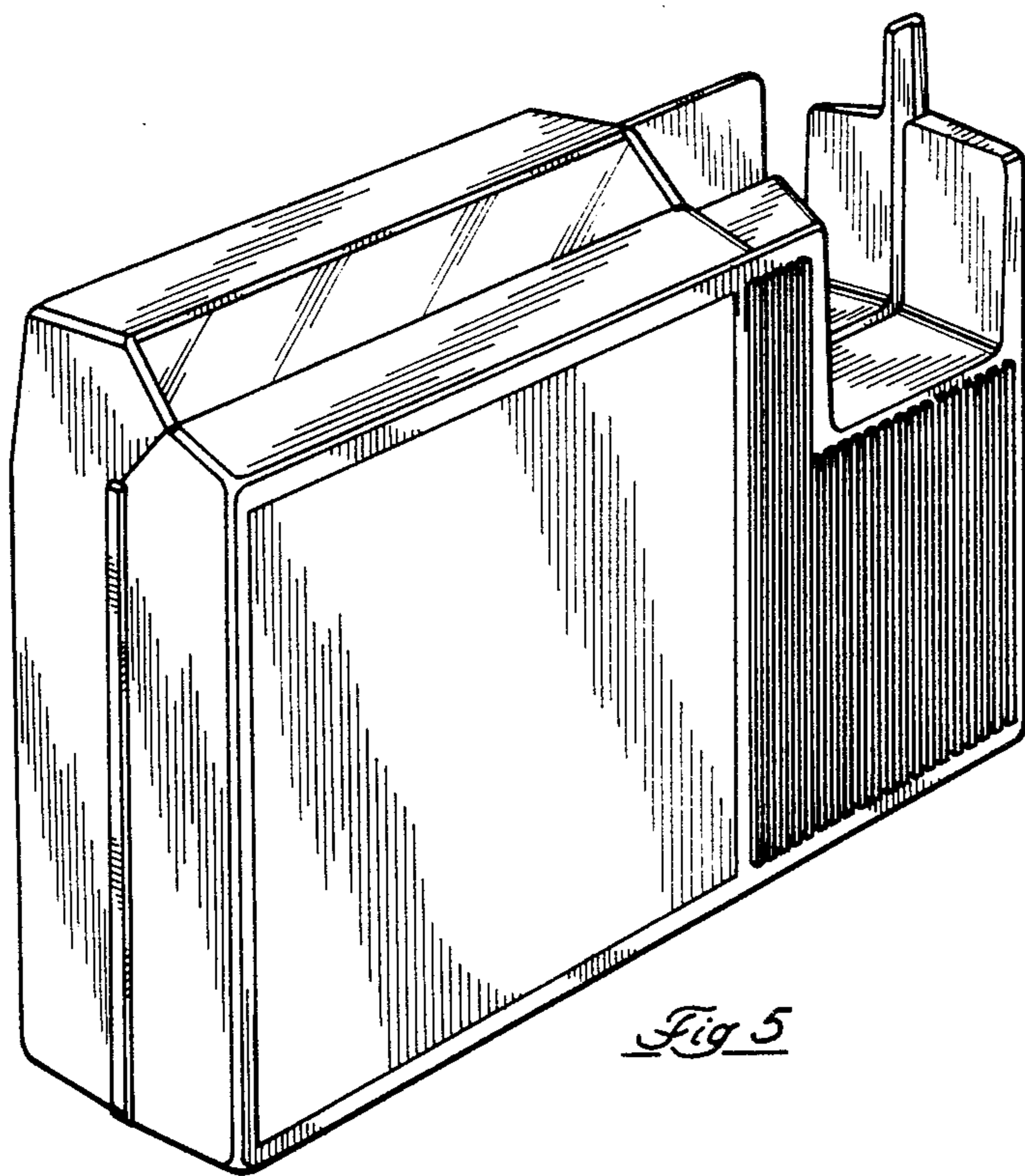
*Fig. 2*



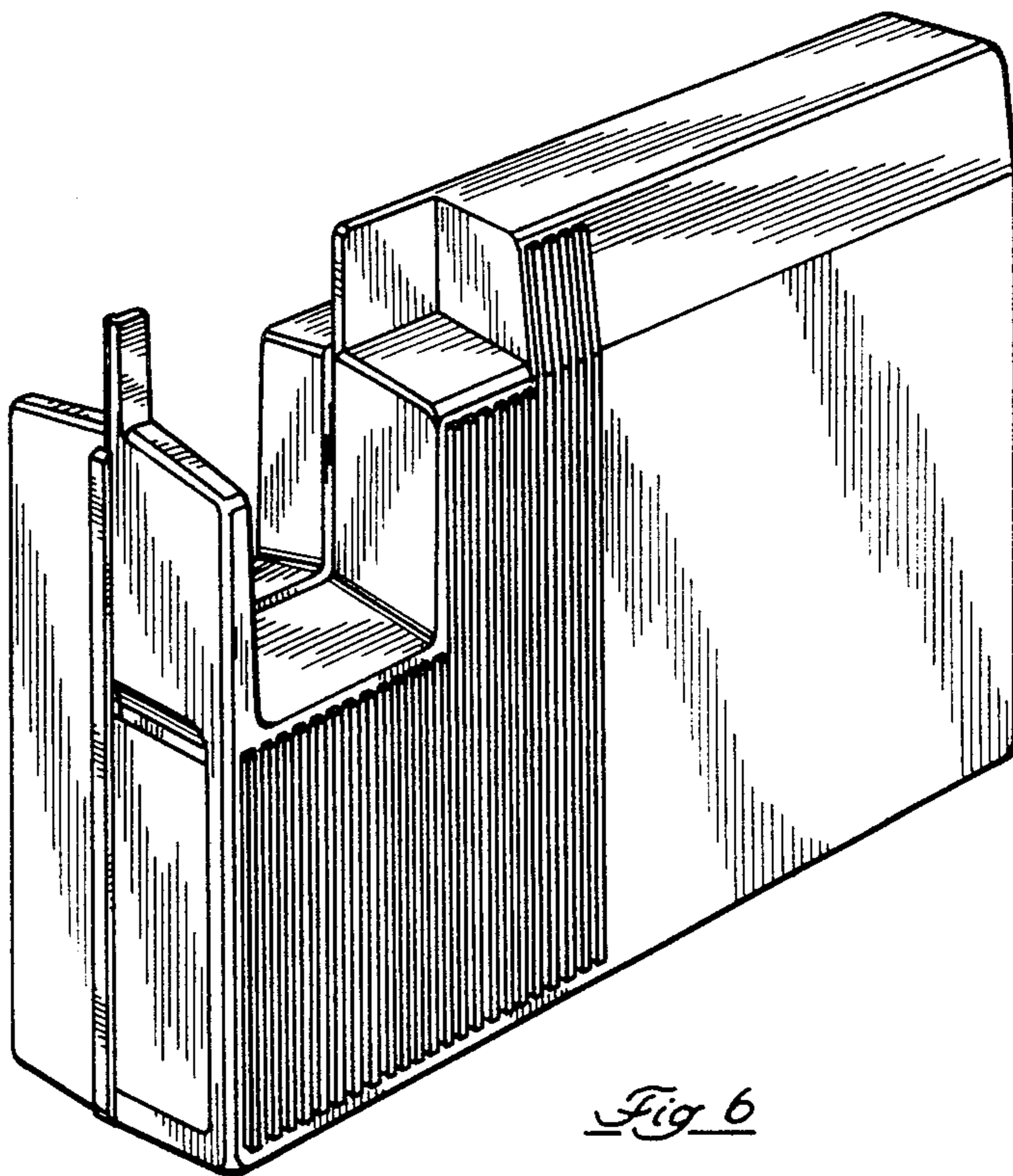
*Fig. 3*



*Fig. 4*



*Fig 5*



*Fig 6*