

[54] WALL PLAQUE HAVING A VERTICAL TIME DISPLAY

3,702,531 11/1972 Maue .
4,092,823 6/1978 Shire .

[76] Inventor: Iroy N. Sonier, R.R. 1 Box 453,
Cocagne NB, Canada, E0A LK0

[**] Term: 14 Years

[21] Appl. No.: 535,063

[22] Filed: Sep. 23, 1983

[52] U.S. Cl. D11/140; D10/24

[58] Field of Search D11/131-137,
D11/140, 157, 164, 184; 428/13-16; D10/2,
24-26

[56] References Cited

U.S. PATENT DOCUMENTS

- D. 44,559 8/1913 Garniss D11/136 X
- D. 71,886 1/1927 Oversmith D10/2
- D. 152,788 2/1949 Kaser D6/127 X
- D. 161,375 5/1949 Reinhardt .
- D. 163,248 5/1951 Borba .
- D. 208,795 10/1967 Laylon D10/2 X
- D. 241,627 9/1976 Bailey .
- D. 241,628 9/1976 Bailey D10/24 X
- D. 728,993 5/1903 Scott .
- 2,065,491 12/1936 Harm .
- 2,243,343 5/1941 Johnson .
- 2,411,597 2/1944 Smith .
- 3,587,222 6/1971 Mestrovic .

OTHER PUBLICATIONS

American Trophies, Inc. Catalog, 1965, 2nd Edition, p. 23.

Noble Trophies for Champions.

Gifts & Decorative Accessories, 7/1979, p. 19-Cuckoo Clock at top left of center.

Primary Examiner—Louis S. Zarfes

Attorney, Agent, or Firm—Cushman, Darby & Cushman

[57] CLAIM

The ornamental design for a wall plaque having a vertical time display, as shown and described.

DESCRIPTION

FIG. 1 is a front perspective view of a wall plaque having a vertical time display showing my new design, the broken line ornament and plaque being illustrative of environment only;

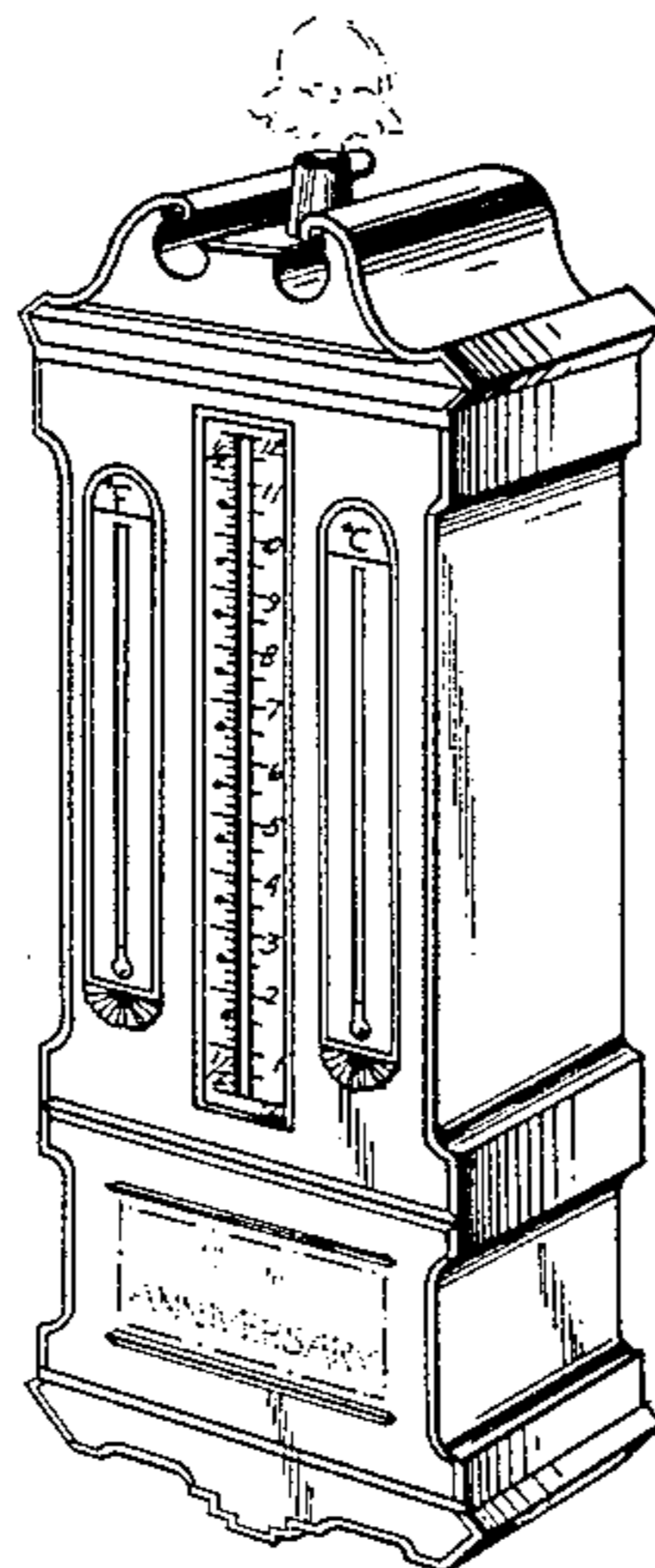
FIG. 2 is a front elevational view thereof;

FIG. 3 is a right side elevational view thereof, the left side elevational view being generally a mirror image thereof;

FIG. 4 is a rear elevational view thereof;

FIG. 5 is a top plan view thereof; and

FIG. 6 is a bottom plan view thereof.



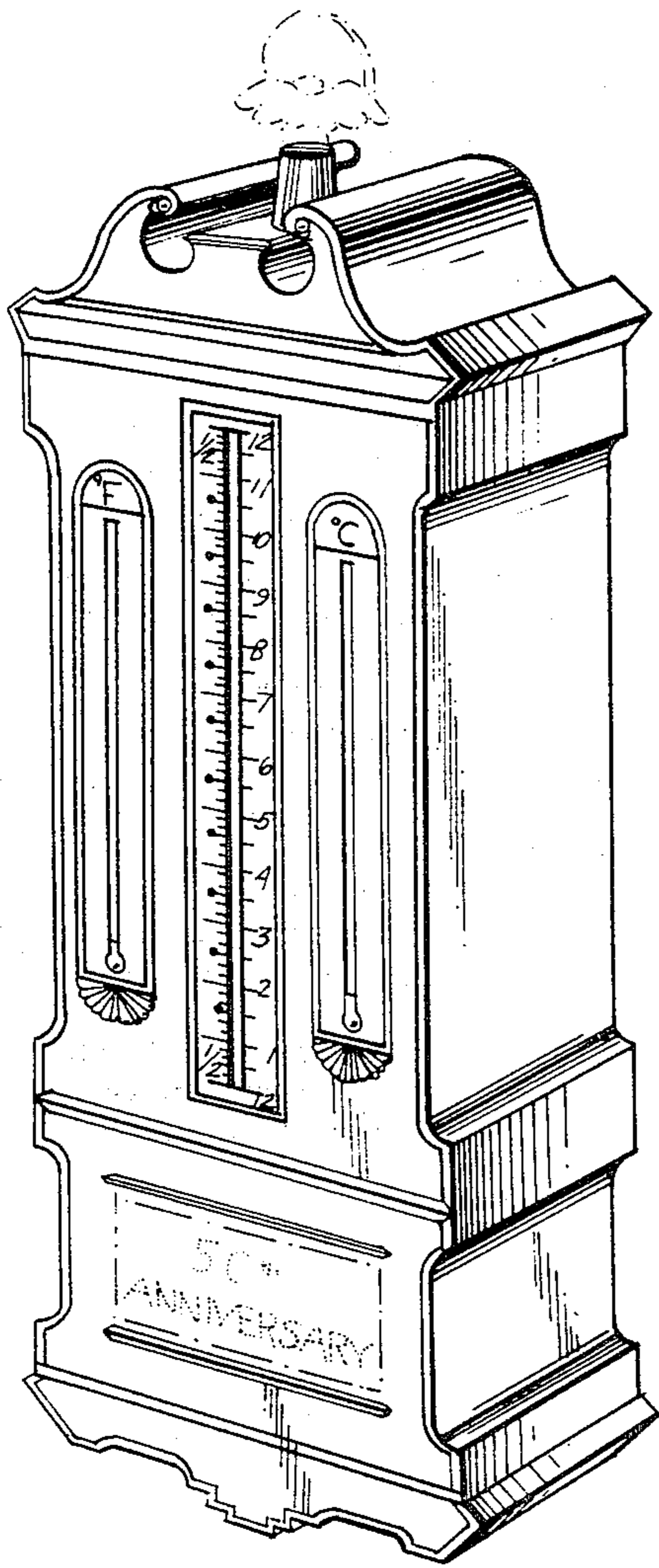


Fig. 1

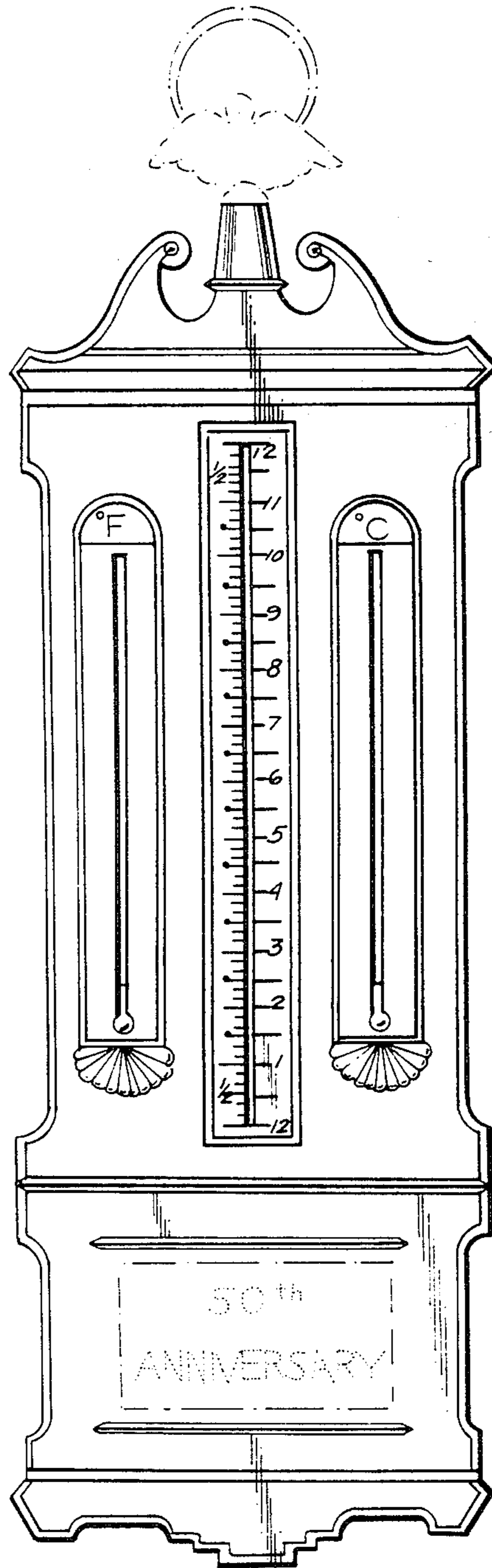


Fig. 2

Fig. 3

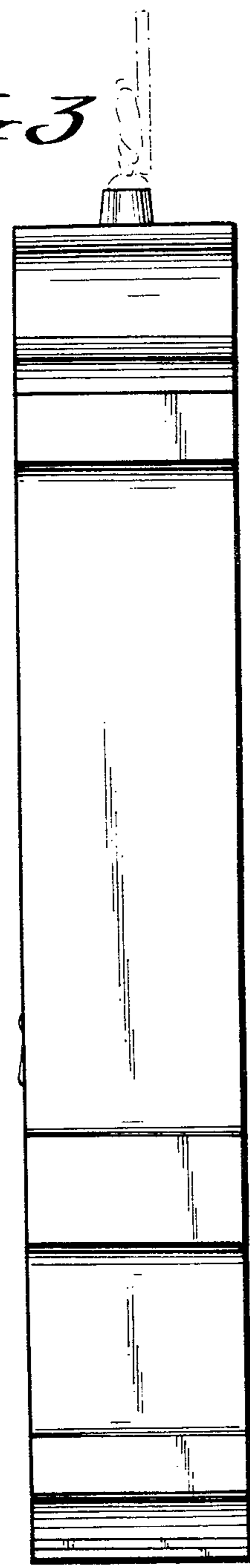


Fig. 4

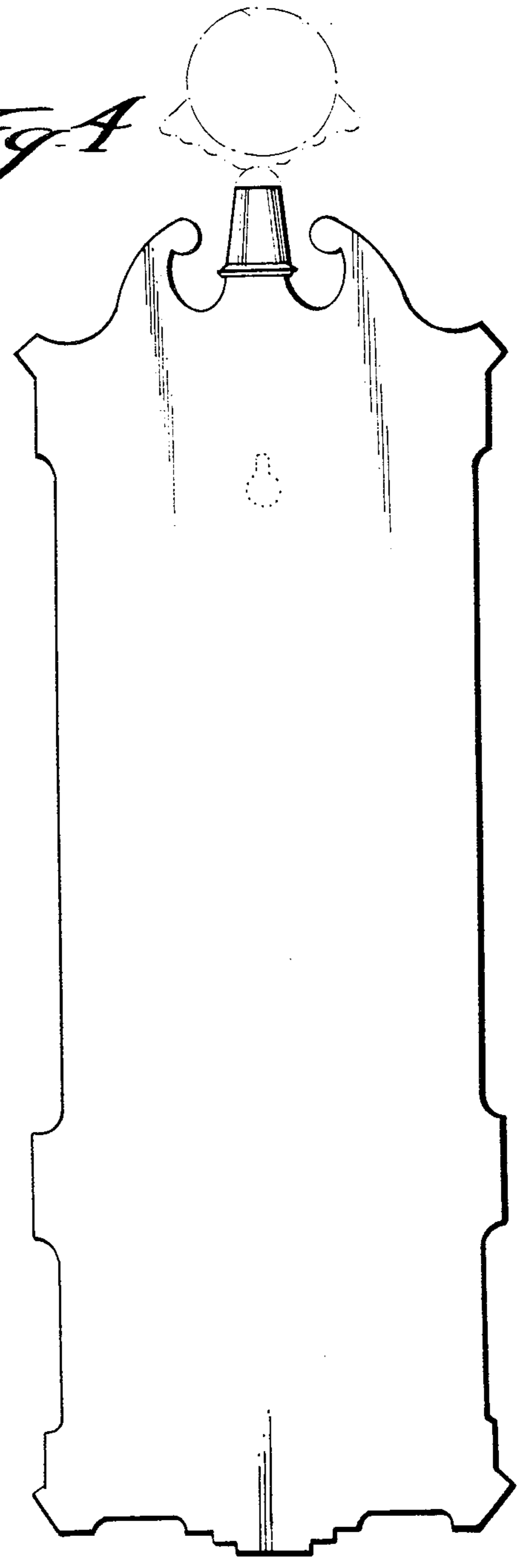


Fig. 5

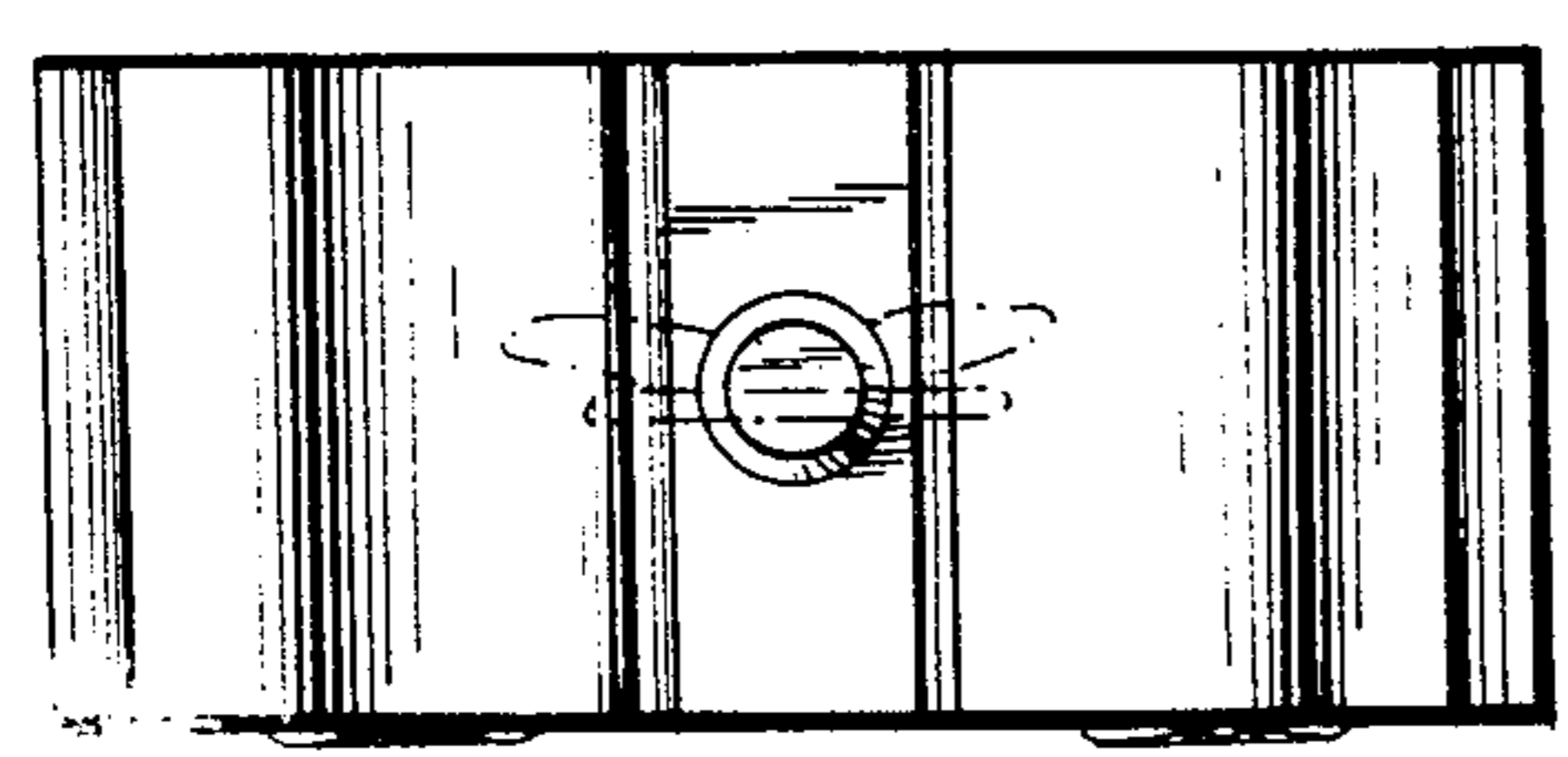


Fig. 6

