

[54] MARKING OUT TOOL

[76] Inventor: William K. Hayward, 27 Guildford Rd., Farnborough, Hants, England

[**] Term: 14 Years

[21] Appl. No.: 424,585

[22] Filed: Sep. 27, 1982

[30] Foreign Application Priority Data

Apr. 6, 1982 [GB] United Kingdom 1006028

[52] U.S. Cl. D10/62; D10/65; D19/36

[58] Field of Search D10/61, 62-65, D10/71; 33/474, 482; D19/35-38

[56] References Cited

U.S. PATENT DOCUMENTS

D. 189,990 3/1961 Wern D10/65 X
2,149,422 3/1939 Coffey D10/62 X

2,371,485 3/1945 Waldman D10/62 X
3,456,353 7/1969 Iams 33/474 X

Primary Examiner—Nelson C. Holtje
Attorney, Agent, or Firm—Vaden, Eickenroht,
Thompson, Bednar & Jamison

[57] CLAIM

The ornamental design of a marking out tool, substantially as shown and described.

DESCRIPTION

FIG. 1 is a top plan view of a marking out tool showing my new design, the rear being substantially a mirror image thereto;

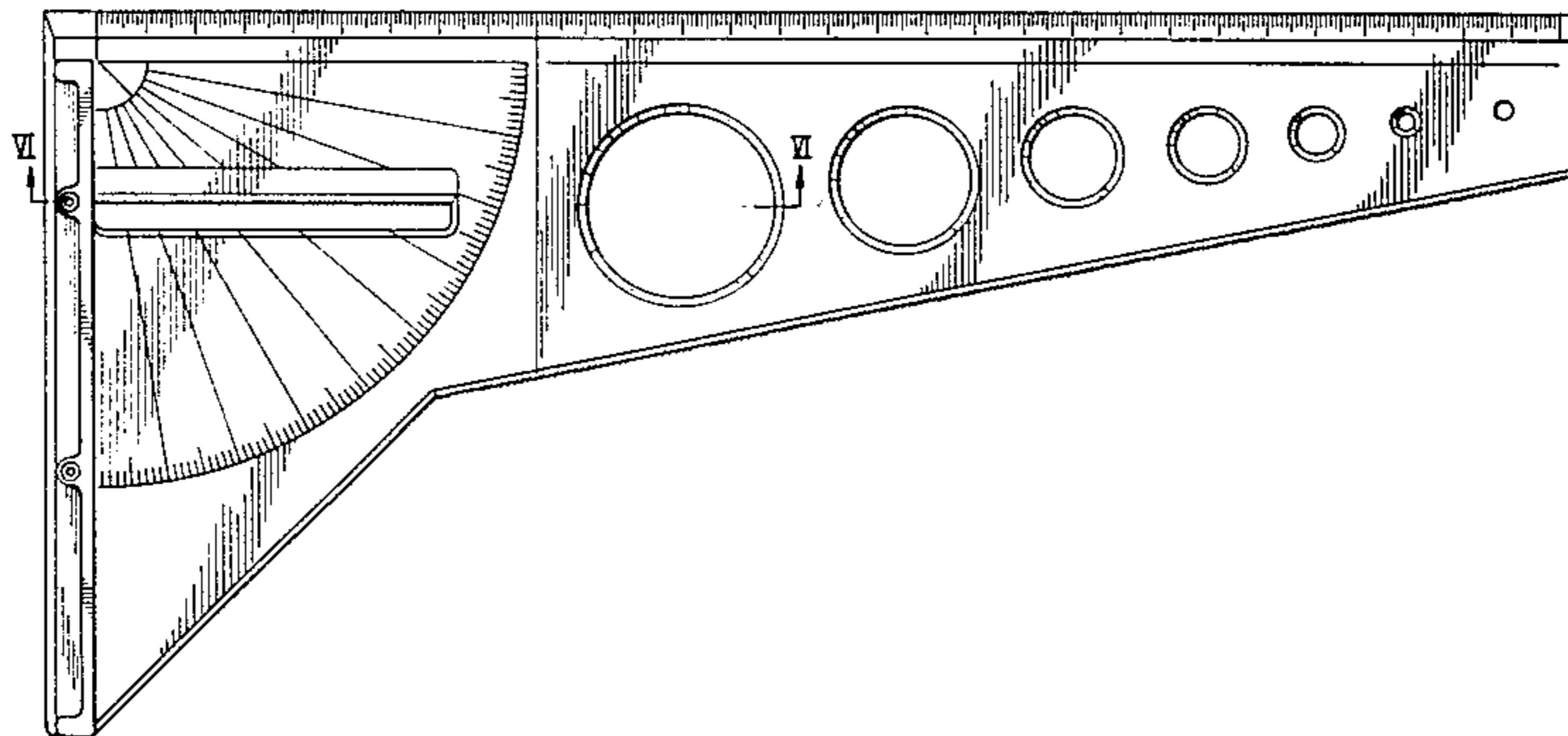
FIG. 2 is a front elevational view;

FIG. 3 is a rear elevational view;

FIG. 4 is a left side elevational view thereof;

FIG. 5 is a right side elevational view thereof;

FIG. 6 is a fragmentary sectional view on the line VI—VI of FIG. 1.



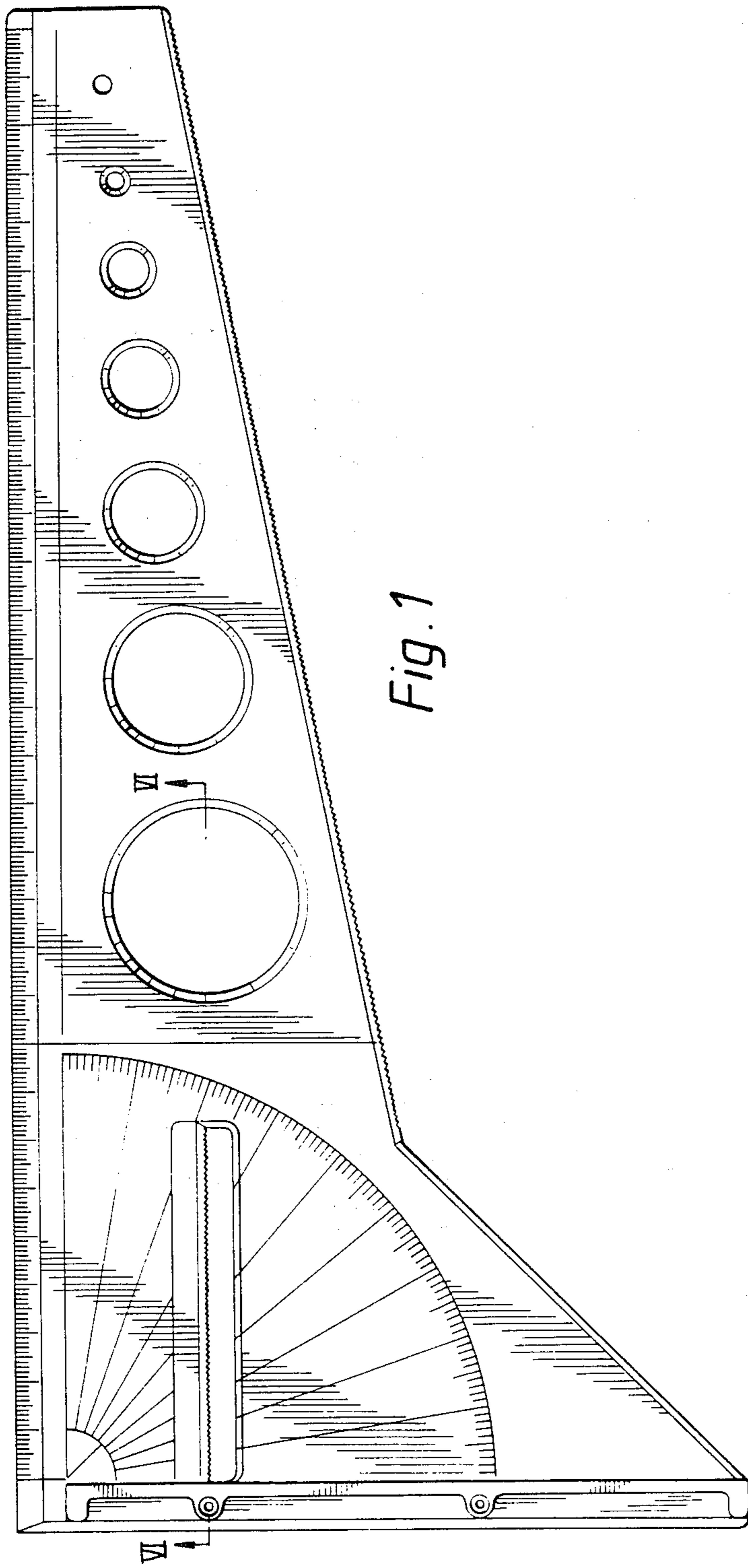


Fig. 1



Fig. 2

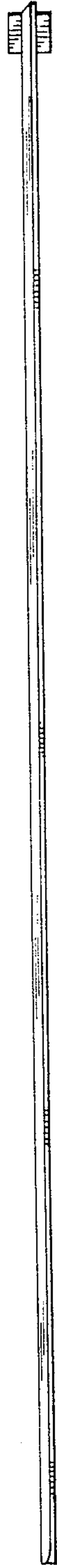


Fig. 3

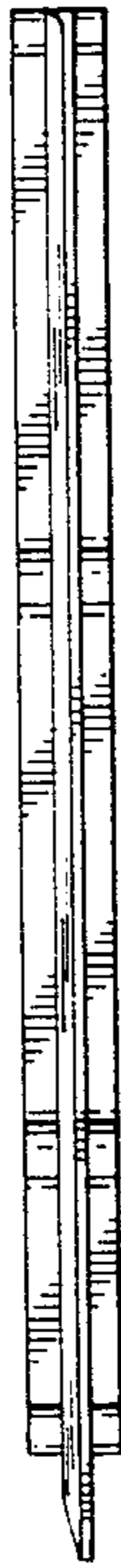


Fig. 4



Fig. 5

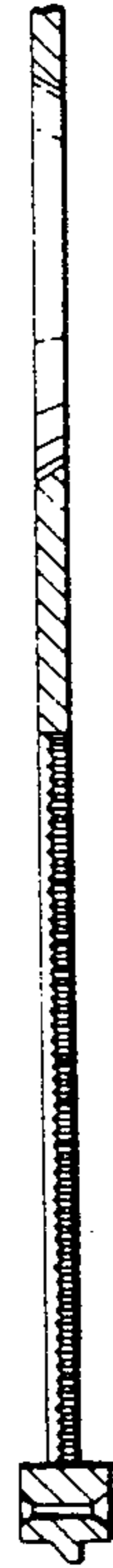


Fig. 6