

[54] PROPORTIONAL PLOTTING DEVICE

[76] Inventor: Gary M. Sogorka, 78 Gould Rd., Newfoundland, N.J. 07435

[**] Term: 14 Years

[21] Appl. No.: 391,483

[22] Filed: Jun. 23, 1982

[52] U.S. Cl. D10/61; 33/137 L

[58] Field of Search D10/61; D18/9; 235/70 R; 33/483, 137 L

[56] References Cited

U.S. PATENT DOCUMENTS

- 120,621 11/1871 Chassaing 33/137 L
- 2,331,298 10/1943 Bennett 33/137 L
- 2,685,748 8/1954 Gilbert 235/70 R

FOREIGN PATENT DOCUMENTS

- 257335 2/1928 Italy 33/137 L

OTHER PUBLICATIONS

Dietzgen Co. Catalog, 1946, p. 243, item #1803C.

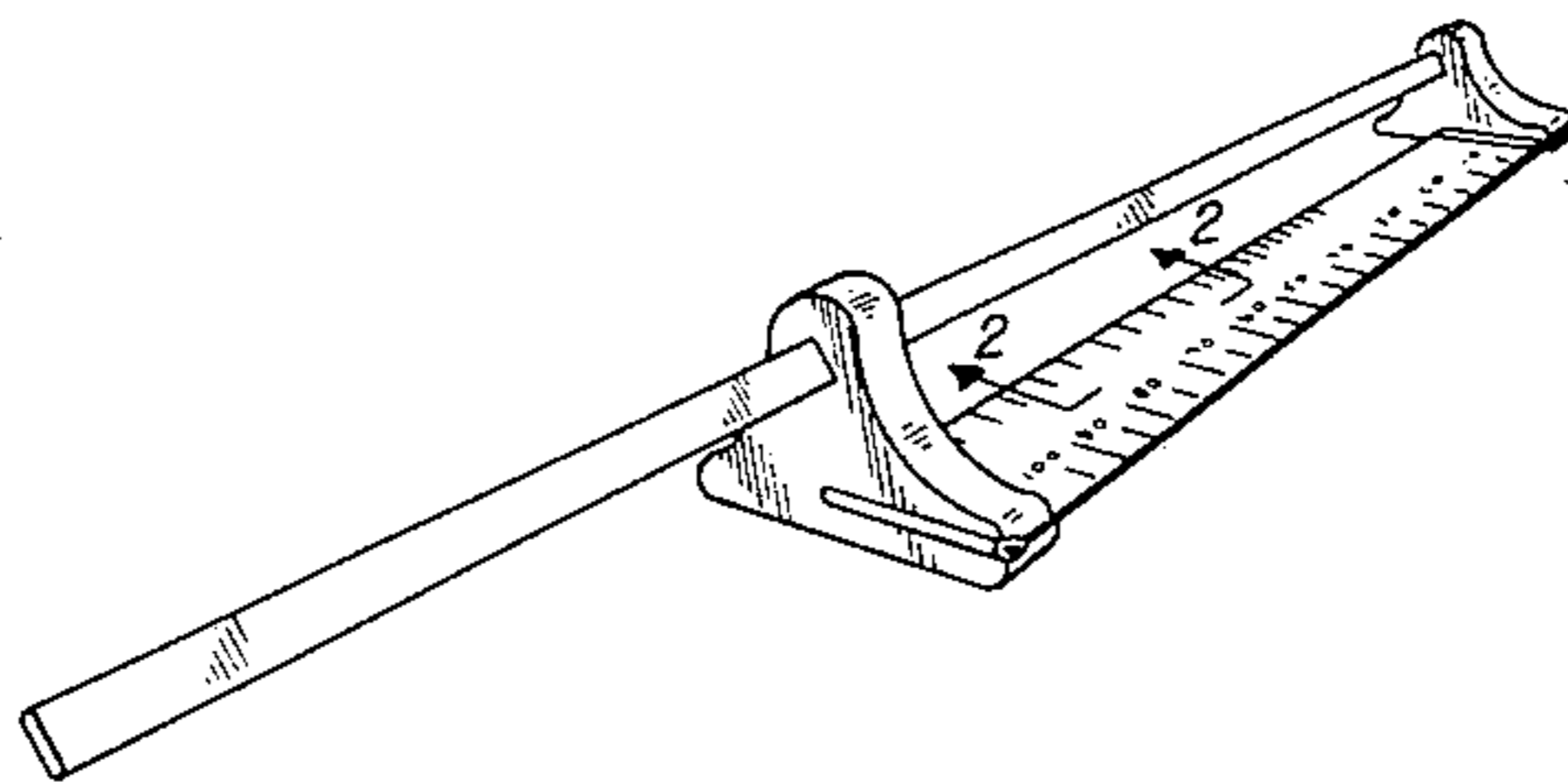
Primary Examiner—Bernard Ansher
Assistant Examiner—Terry Pfeffer
Attorney, Agent, or Firm—Bernard J. Murphy

[57] CLAIM

The ornamental design for a proportional plotting device, as shown and described.

DESCRIPTION

FIG. 1 is a top front isometric view of a proportional plotting device showing my new design;
 FIG. 2 is a fragmentary cross-section taken on line 2—2 of FIG. 1;
 FIG. 3 is an enlarged top plan view of FIG. 1 with portions fragmentarily shown for convenience of illustration;
 FIG. 4 is a right end elevation thereof;
 FIG. 5 is a left end elevation thereof;
 FIG. 6 is a fragmentary front elevation of the movable block separately shown for clarity of illustration;
 FIG. 7 is a fragmentary rear elevation of the fixed block shown separately for clarity of illustration; and
 FIG. 8 is a fragmentary bottom plan view of the right hand side of FIG. 3.



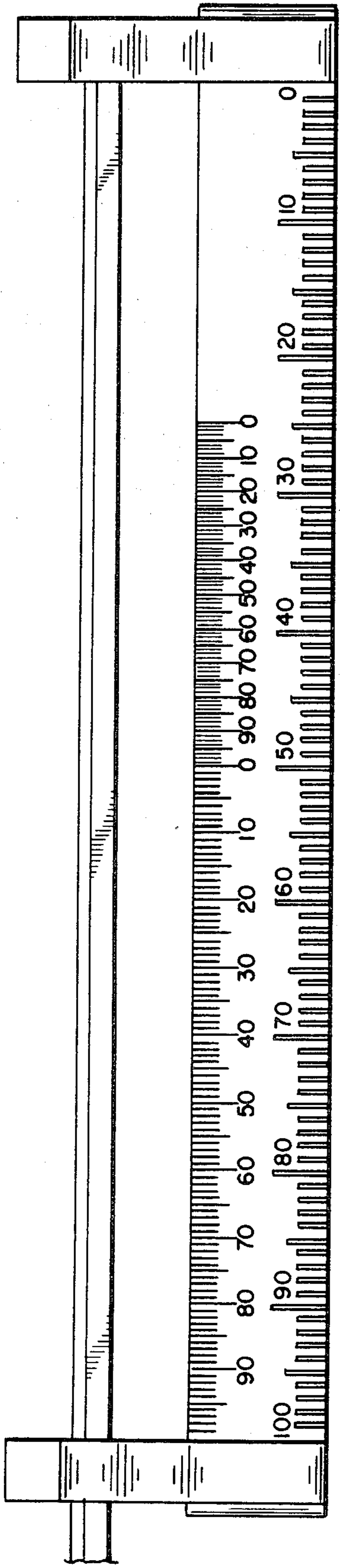


FIG. 3

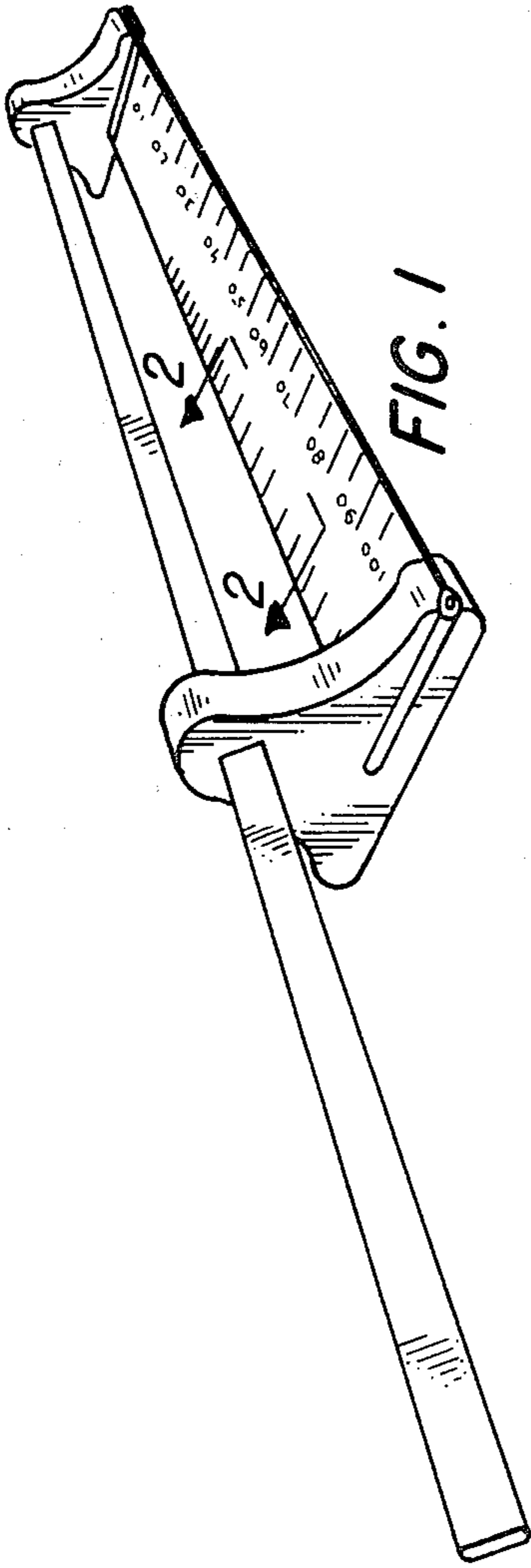


FIG. 1

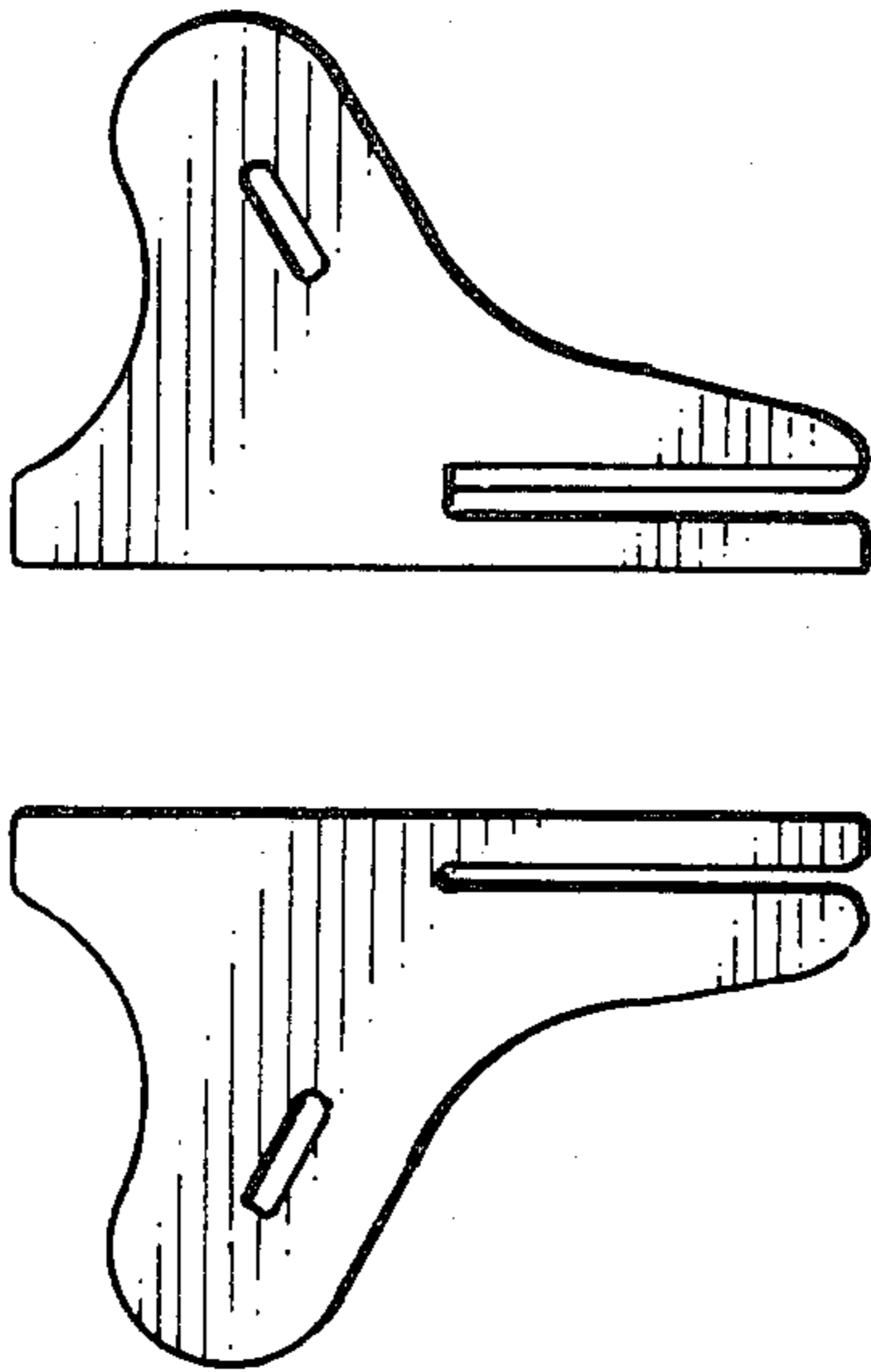


FIG. 4

FIG. 5



FIG. 2

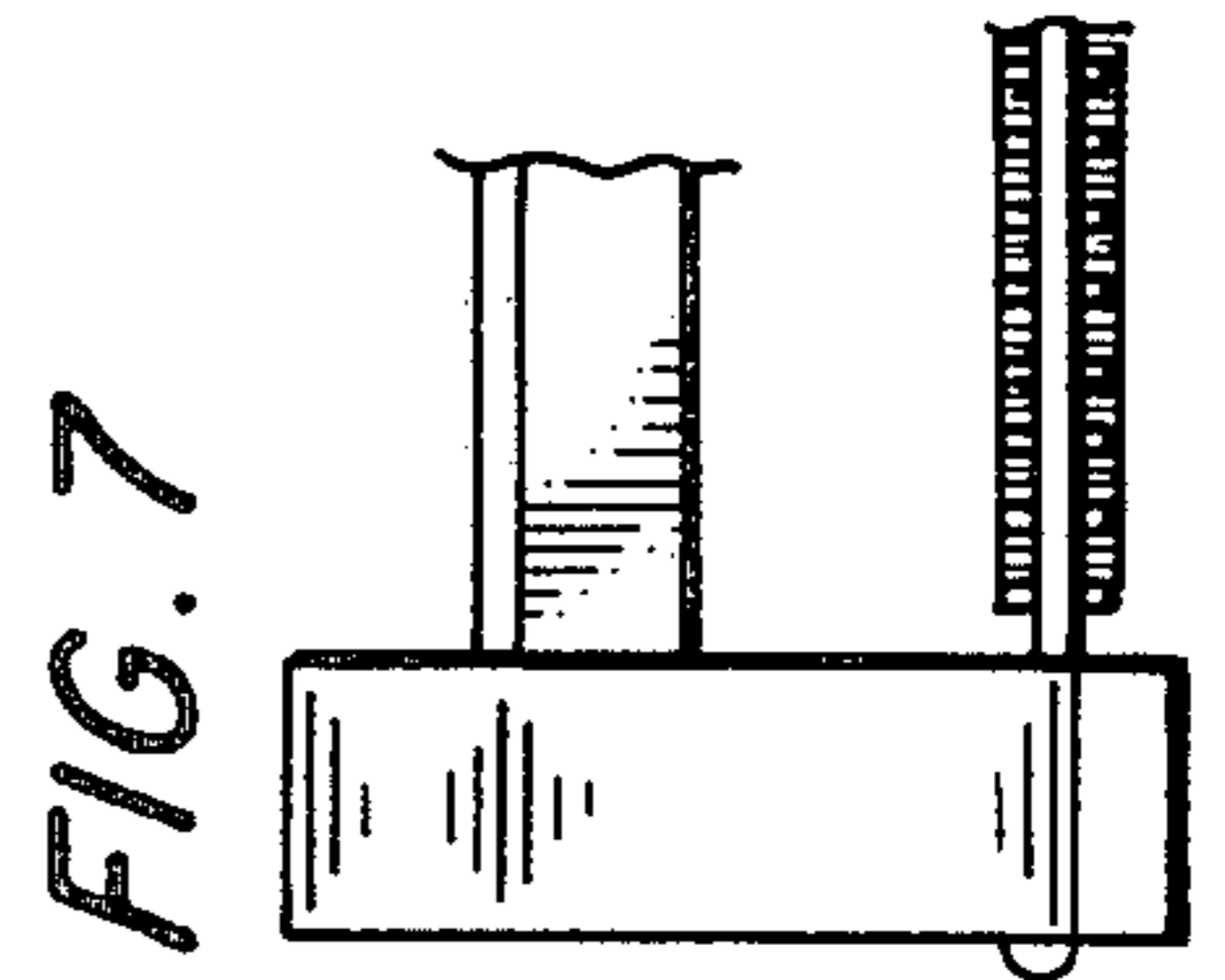


FIG. 7

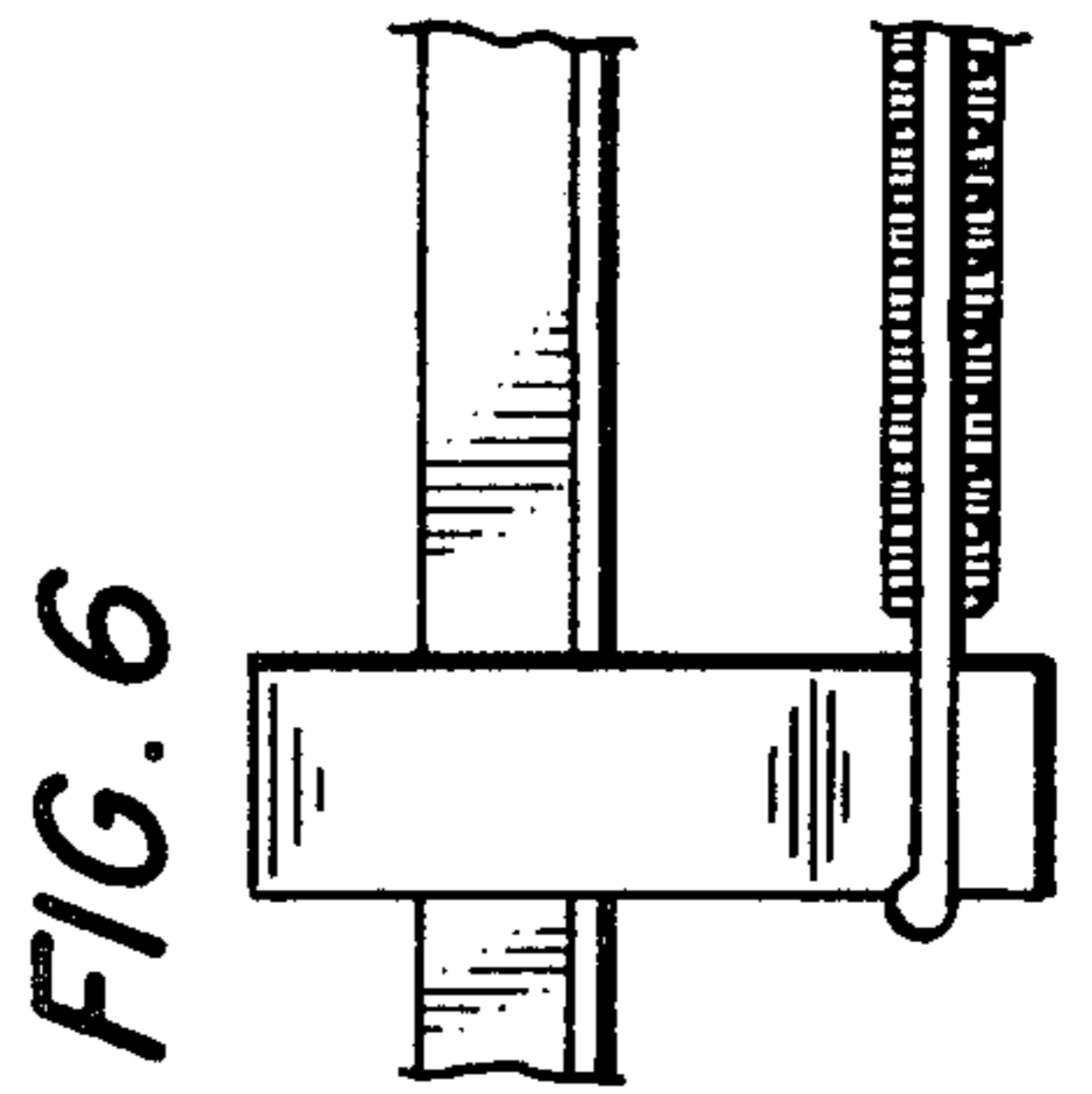


FIG. 6

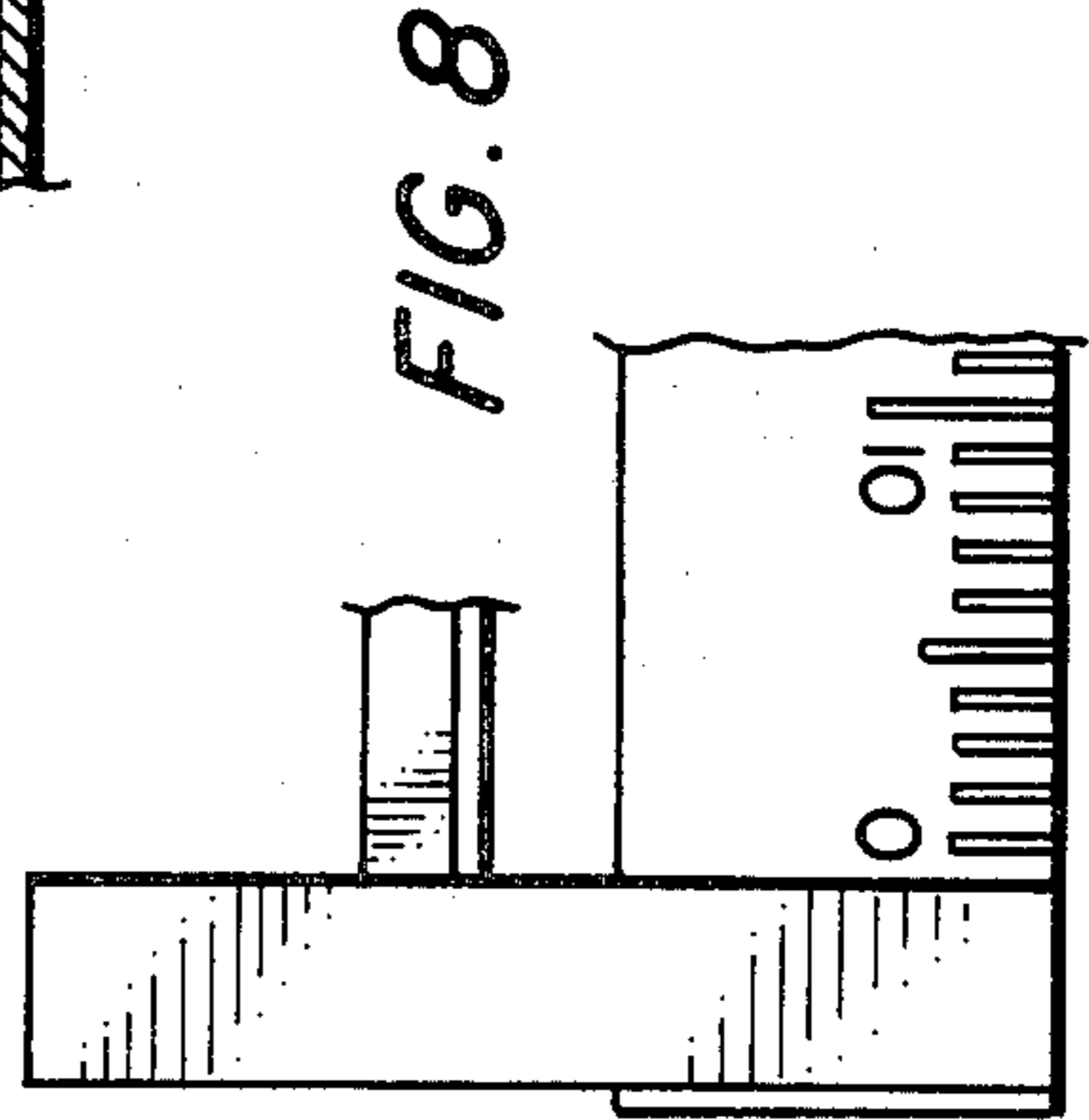


FIG. 8