

[54] PRY BAR

[76] Inventor: James P. Schiller, 2510 Crestview Dr. South, Salem, Oreg. 97302

[**] Term: 14 Years

[21] Appl. No.: 388,101

[22] Filed: Jun. 14, 1982

[52] U.S. Cl. D8/89; D8/88

[58] Field of Search 157/1.3; 254/17, 131; D8/88, 89; 294/29, 30, 32, 33

[56] References Cited

U.S. PATENT DOCUMENTS

D. 136,557 10/1943 Scown D8/89
D. 238,044 12/1975 Majek D8/88

Primary Examiner—Susan J. Lucas
Assistant Examiner—Clare E. Heflin
Attorney, Agent, or Firm—Oliver D. Olson

[57] CLAIM

The ornamental design for a pry bar, as shown.

DESCRIPTION

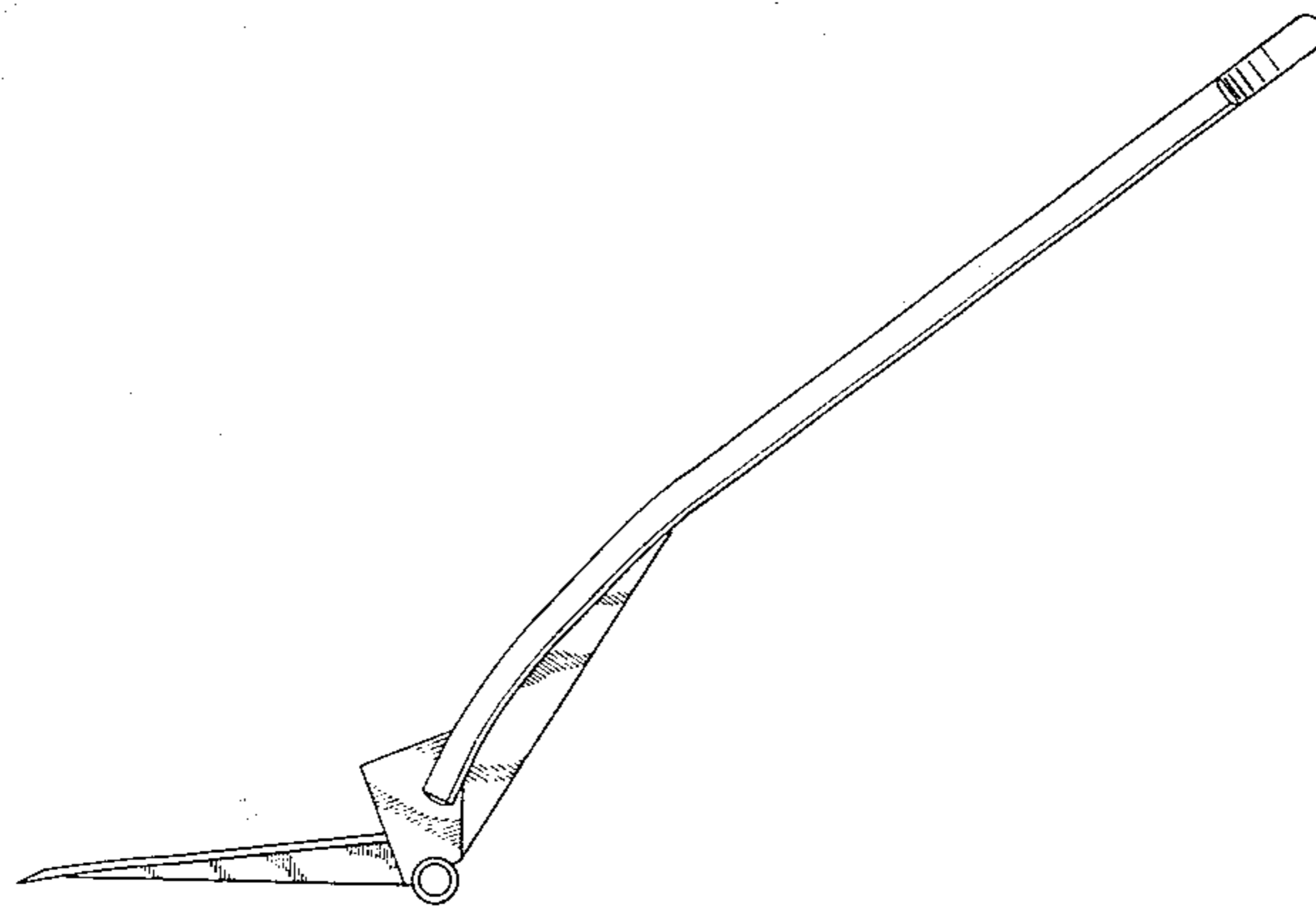
FIG. 1 is a side elevation of a pry bar, showing my new design.

FIG. 2 is a top plan view thereof.

FIG. 3 is a bottom plan view thereof.

FIG. 4 is a front end view thereof.

FIG. 5 is a rear end view thereof.



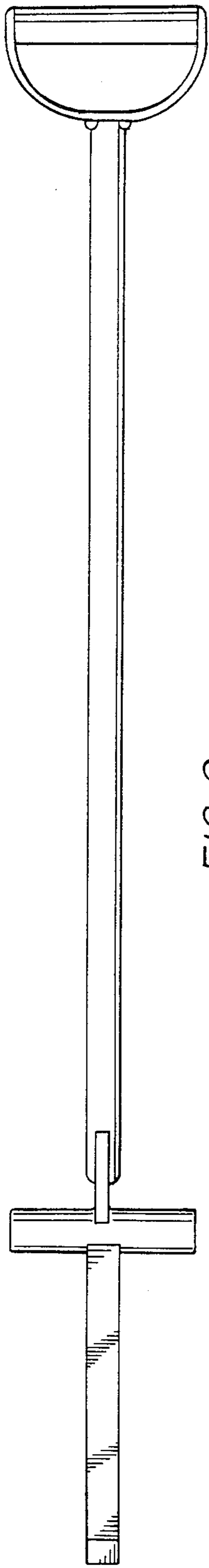


FIG. 2

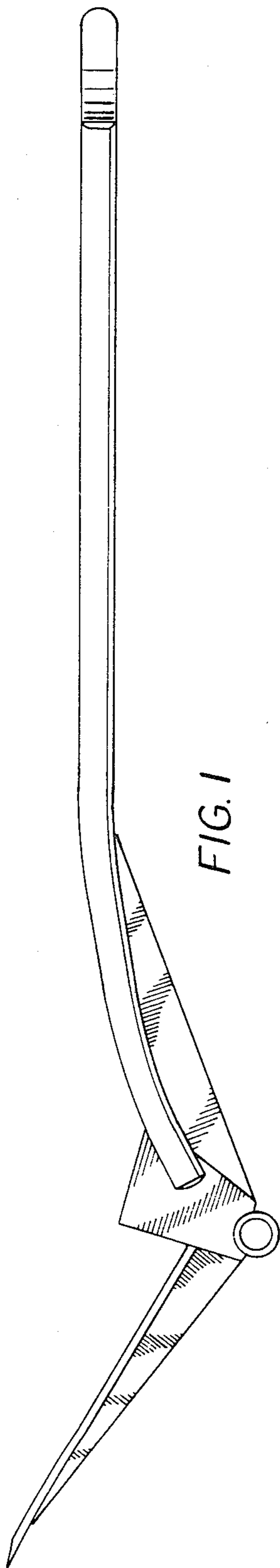


FIG. 1

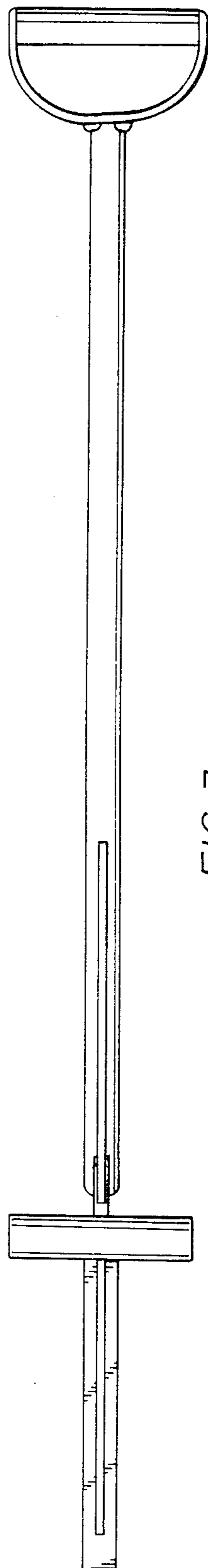


FIG. 3

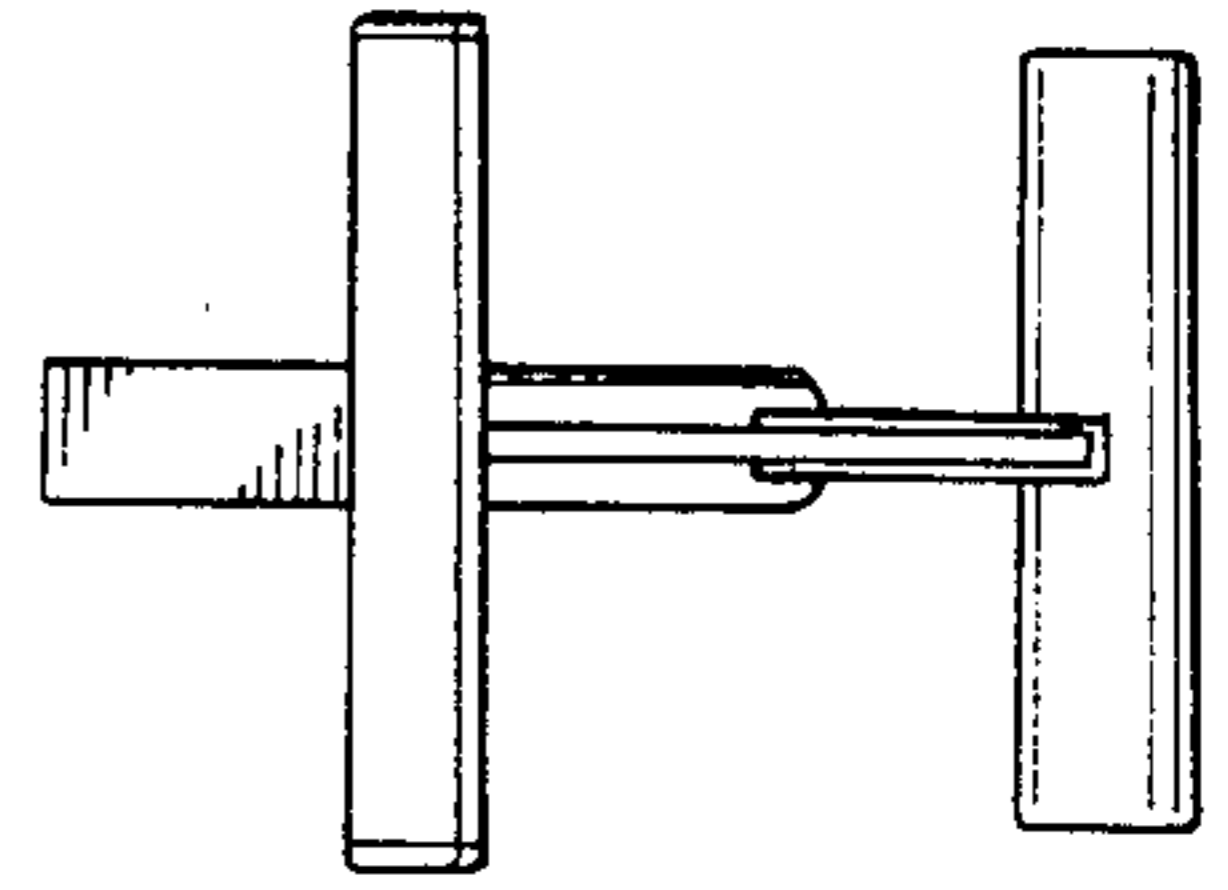


FIG. 5

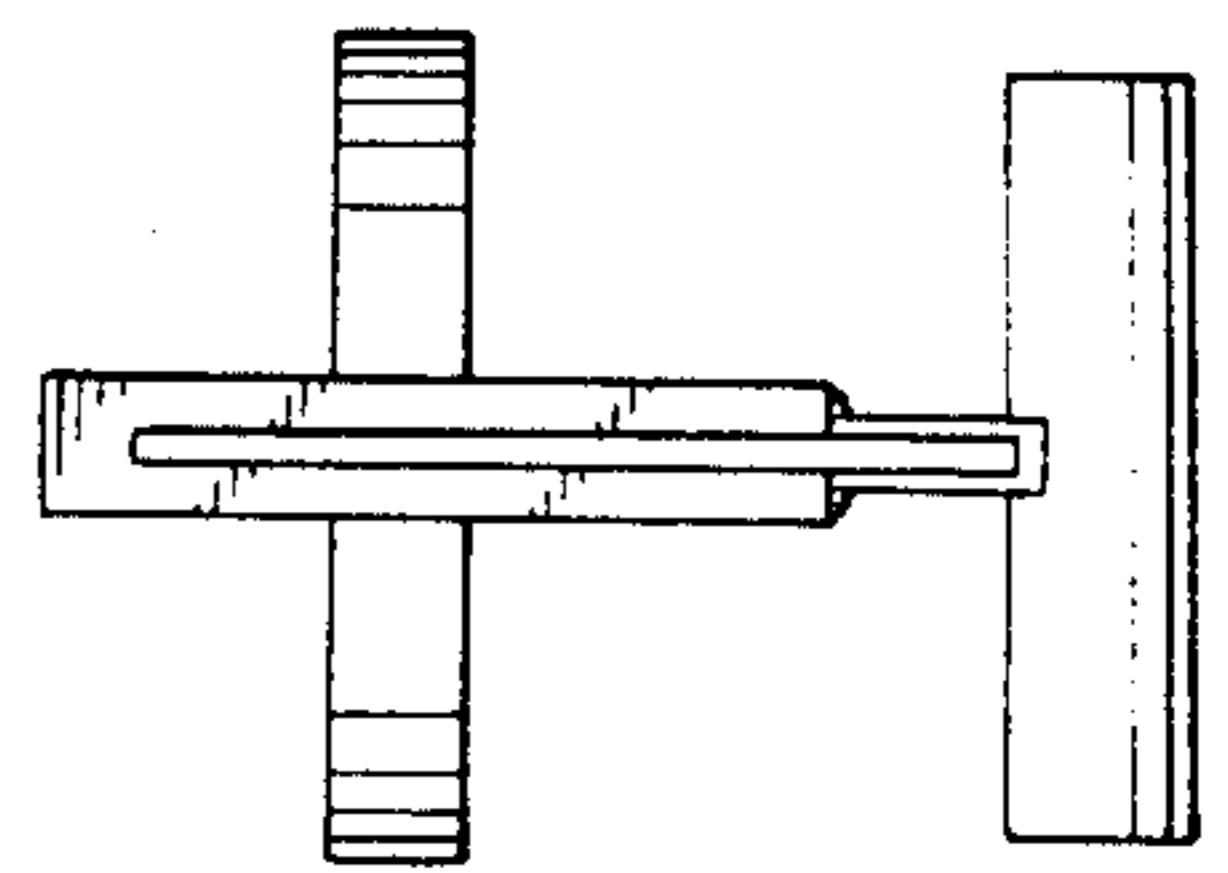


FIG. 4