

[54] HAND OPERATED FOODSTUFF MILL

[76] Inventors: Thomas D. Dickson, Jr., 1099 Del Cambre, San Jose, Calif. 95129; Ralph W. Schwarze, 12468 Robleda Rd., Los Altos Hills, Calif. 94022

[**] Term: 14 Years

[21] Appl. No.: 408,810

[22] Filed: Aug. 17, 1982

[52] U.S. Cl. D7/372; D7/47

[58] Field of Search D7/372, 368, 373, 374, D7/381, 383, 47; 241/82.1, 82.2

[56] References Cited

U.S. PATENT DOCUMENTS

D. 98,313	1/1936	Griswold	D7/372
D. 151,514	10/1948	Hess et al.	D7/372
D. 183,185	7/1958	Silberberg	D7/47
D. 229,015	11/1973	Kieves	241/82.1 X
776,420	11/1904	Pluecker	241/82.2 X

OTHER PUBLICATIONS

Good Housekeeping, Nov. 1981, p. 236, slicer/shredder/grater/chopper.

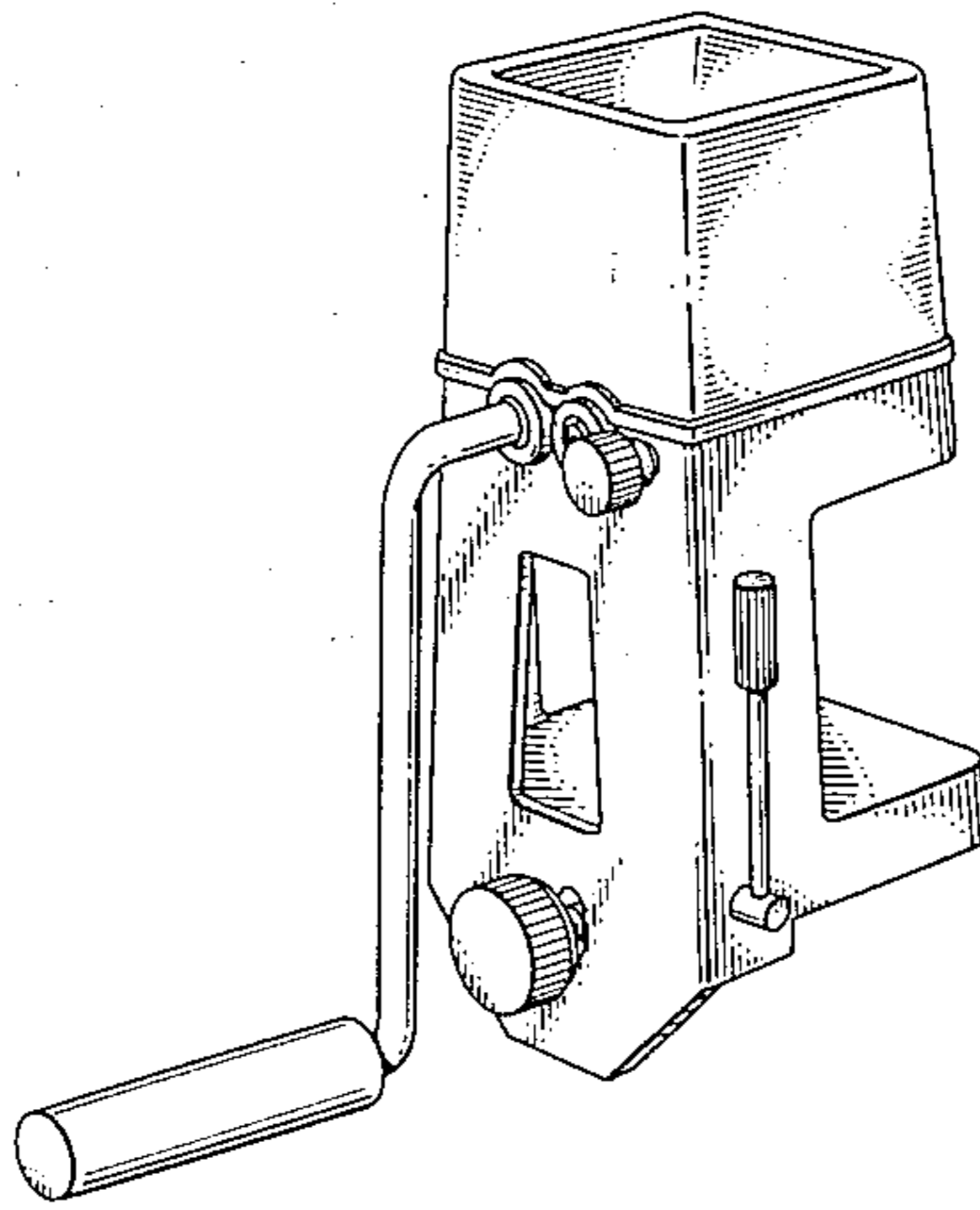
Primary Examiner—Bernard Ansher
Assistant Examiner—Linda M. Titolo
Attorney, Agent, or Firm—Ciotti & Murashige

[57] CLAIM

The ornamental design for a hand operated foodstuff mill, as shown.

DESCRIPTION

FIG. 1 is a rear perspective view of a hand operated foodstuff mill showing our new design; FIG. 2 is a top plan view thereof; FIG. 3 is a left side elevational view thereof; FIG. 4 is a rear elevation view thereof; FIG. 5 is a front elevation view thereof; FIG. 6 is a right side elevation view thereof; and FIG. 7 is a bottom plan view thereof.



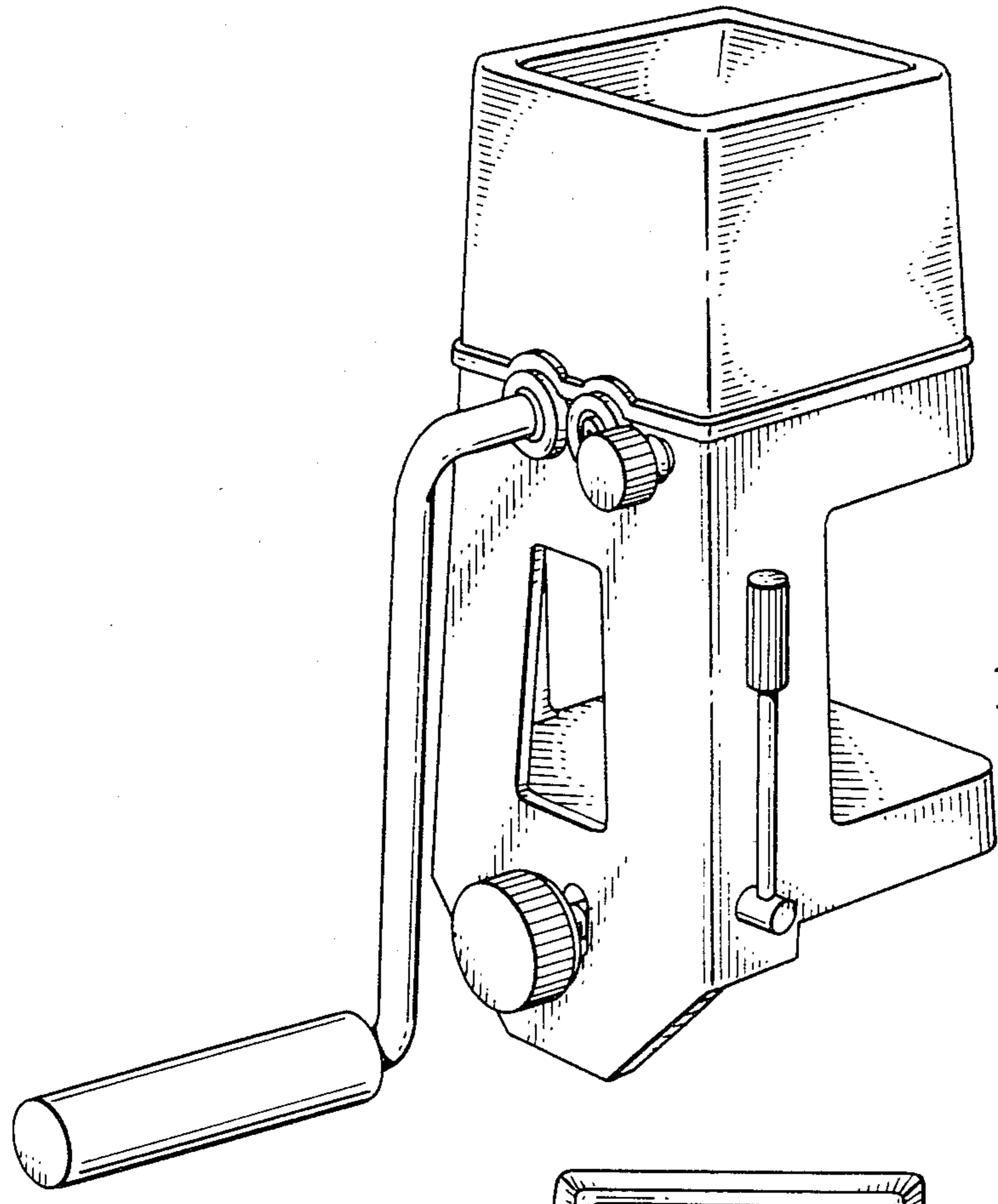


FIG. 1.

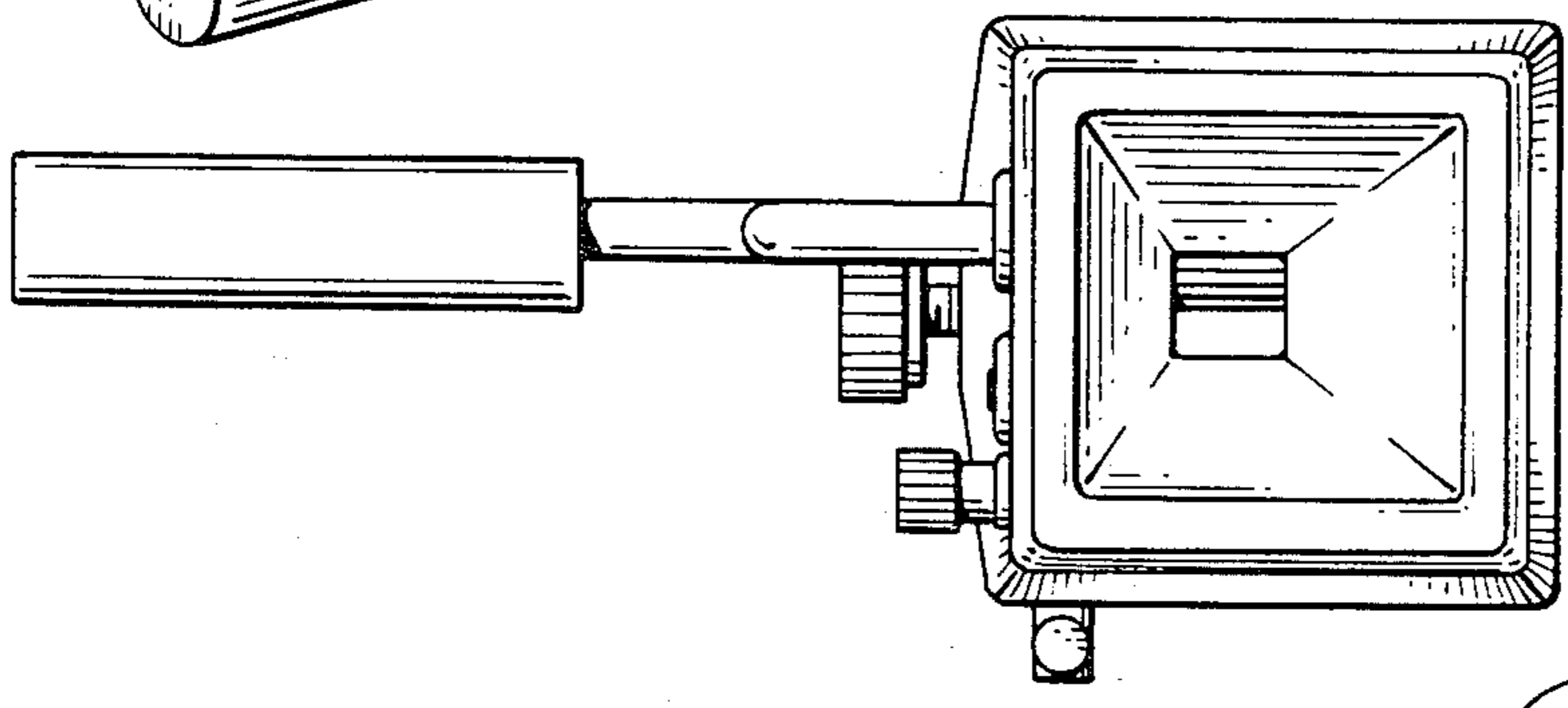


FIG. 2.

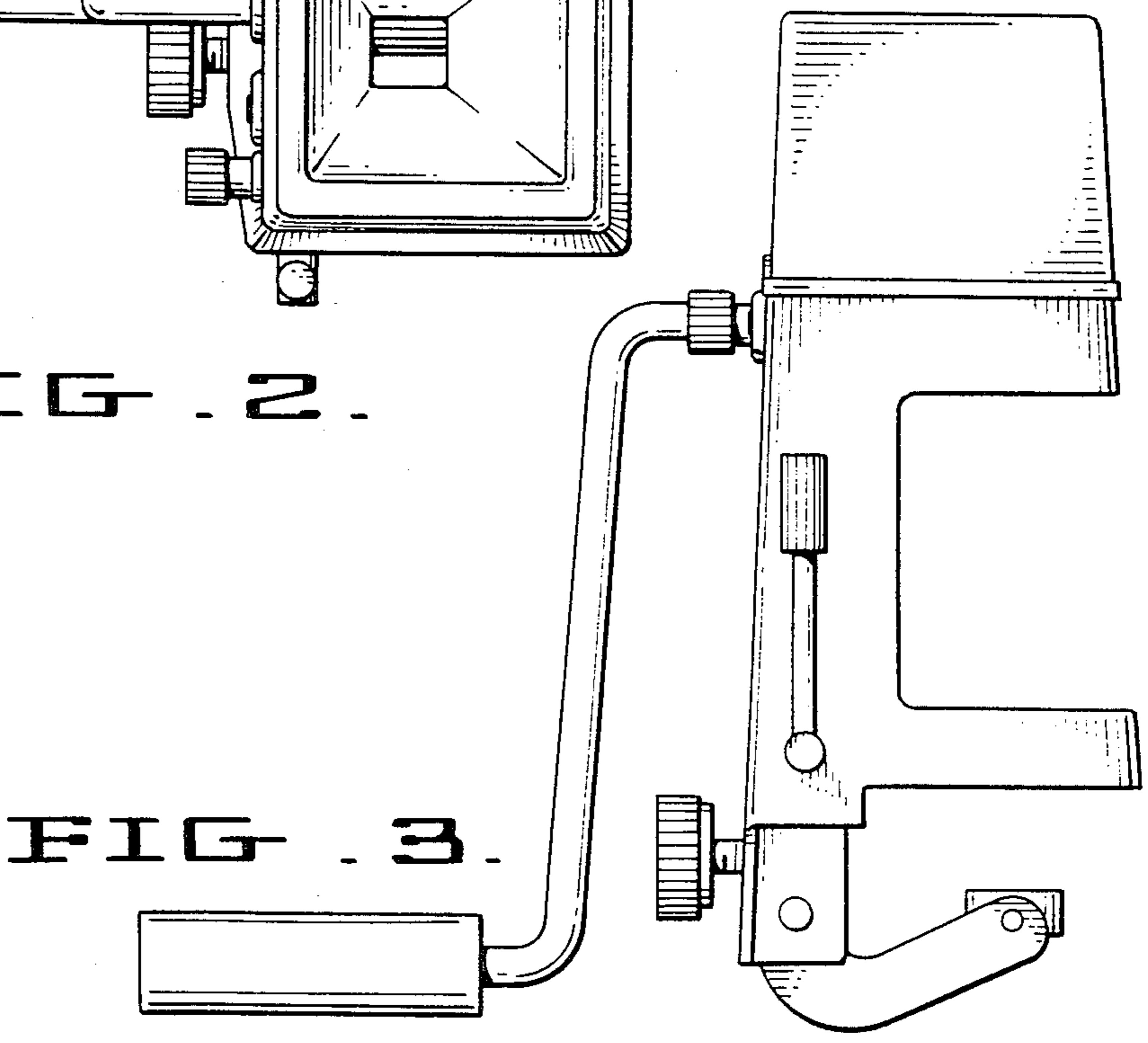


FIG. 3.

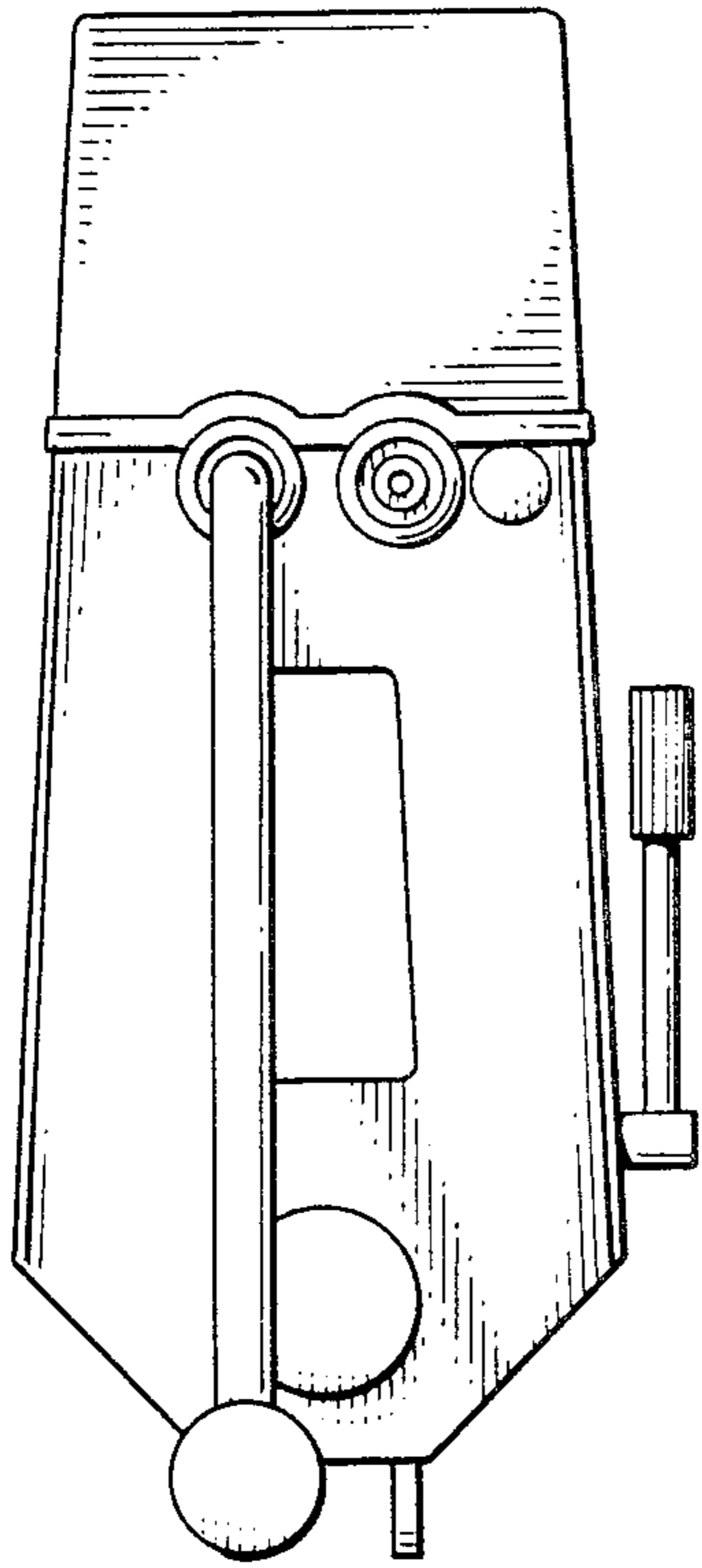


FIG. 4.

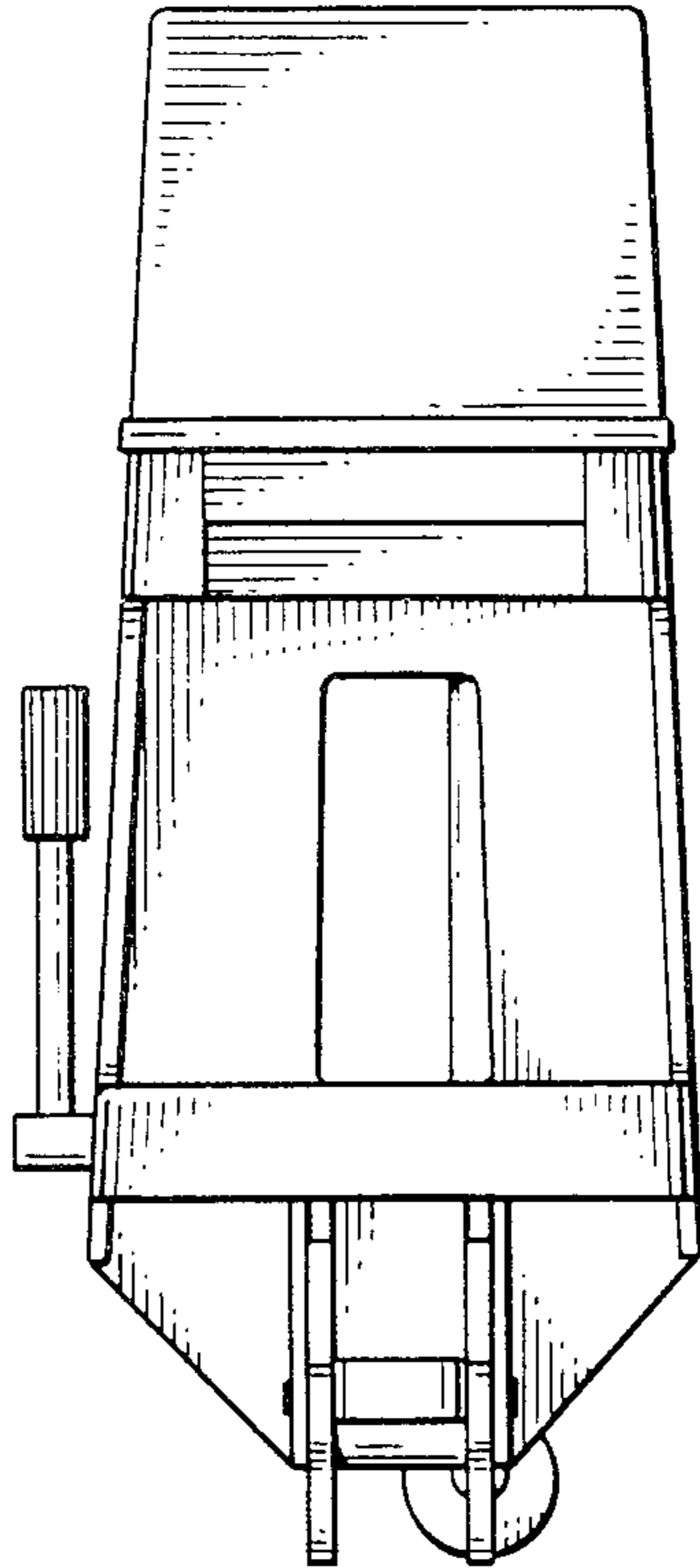


FIG. 5.

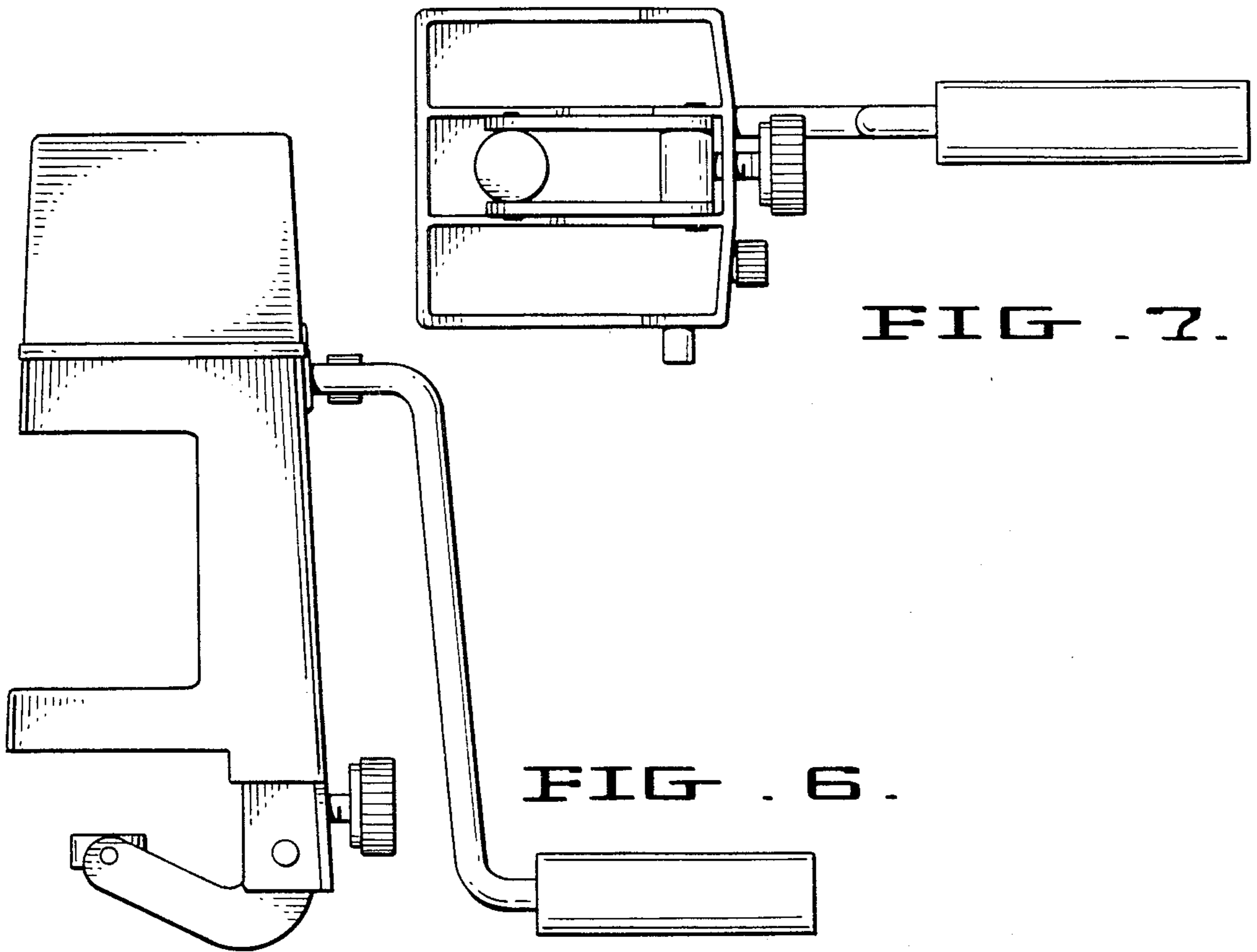


FIG. 6.

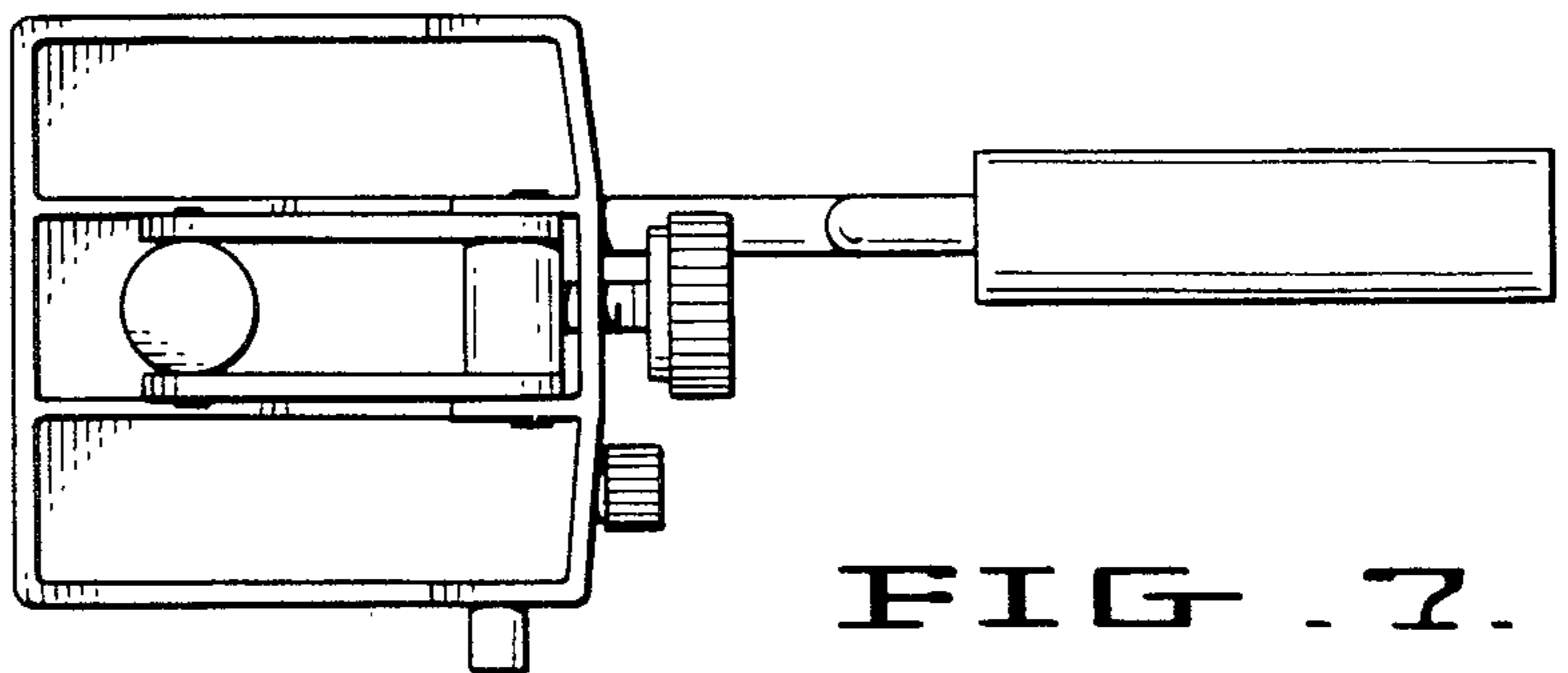


FIG. 7.