

[54] BEVERAGE MUG

[76] Inventor: Susan H. Levine, 235 S. 2nd St., Richmond, Calif. 94804

[\*\*] Term: 14 Years

[21] Appl. No.: 608,709

[22] Filed: May 10, 1984

[52] U.S. Cl. .... D7/9

[58] Field of Search ..... D7/6, 9, 10, 30; 220/90.4; 94 A

[56] References Cited

U.S. PATENT DOCUMENTS

D. 36,837	3/1904	Ahrenfeldt	.....	D7/9
D. 49,189	6/1916	Leachman	.....	D7/9
D. 122,923	10/1940	Flato	.....	D7/9 X
D. 161,712	1/1951	Roop	.....	D7/9
D. 192,174	2/1962	Trombley	.....	D7/9
D. 205,235	7/1966	Penraat	.....	D7/9
D. 210,144	2/1968	Allen et al.	.....	D7/9
D. 219,675	1/1971	Davis	.....	D7/9
D. 225,432	12/1972	Gulotta	.....	D7/9

D. 235,182	5/1975	Capron	.....	D7/9 X
D. 248,527	7/1978	Bryk	.....	D7/9
D. 249,918	10/1978	Block et al.	.....	D7/9
D. 266,814	11/1982	Myodo	.....	D7/9
D. 267,765	2/1983	Hankin	.....	D7/9
2,591,606	4/1952	Reed	.....	D7/6 X
2,602,309	7/1952	Doyle	.....	D7/9 X
3,403,618	10/1968	Lagg	.....	D7/9 X

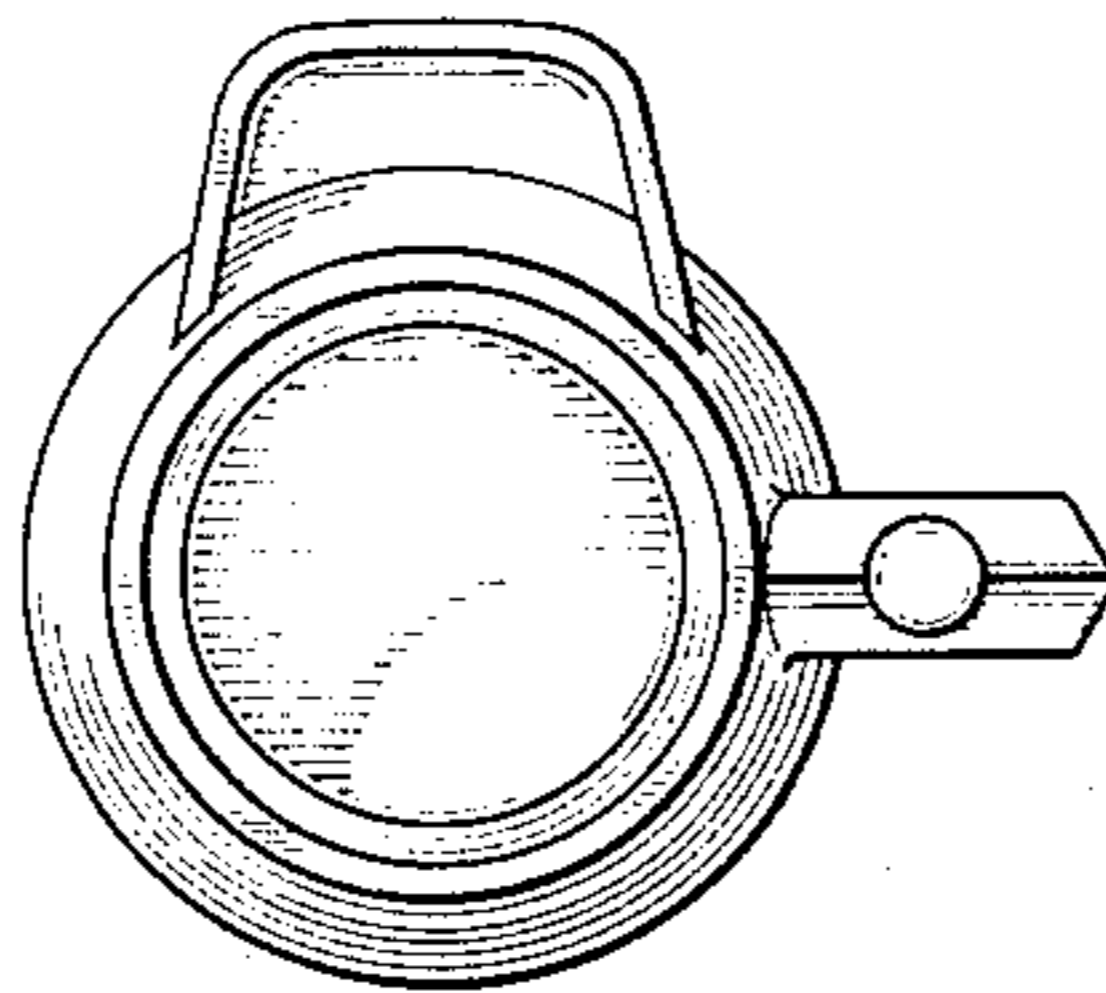
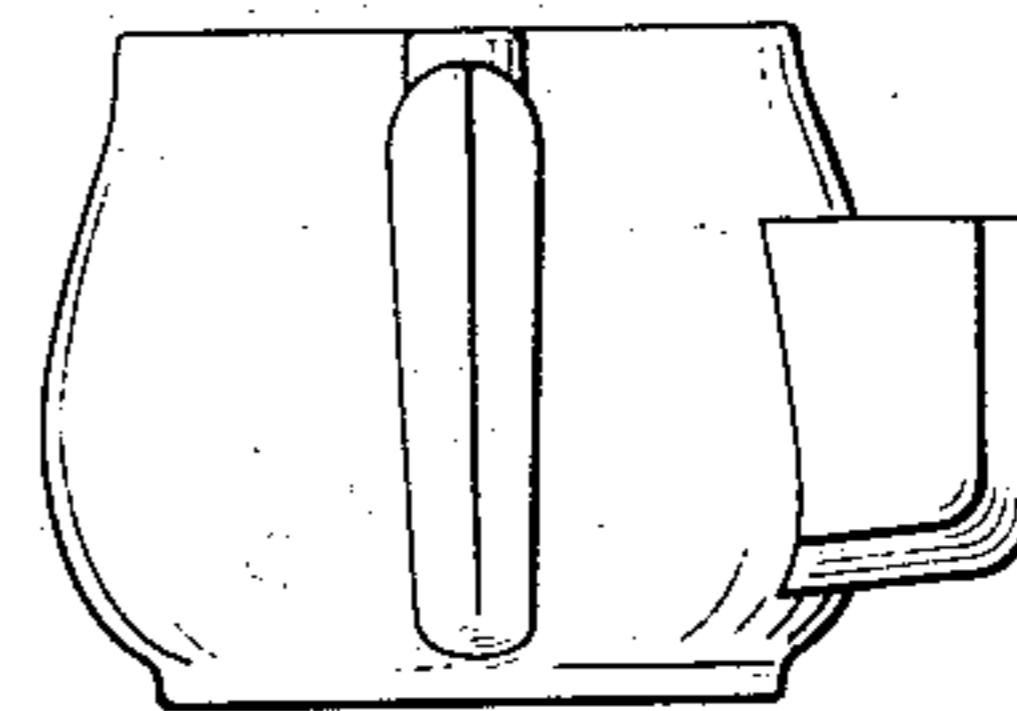
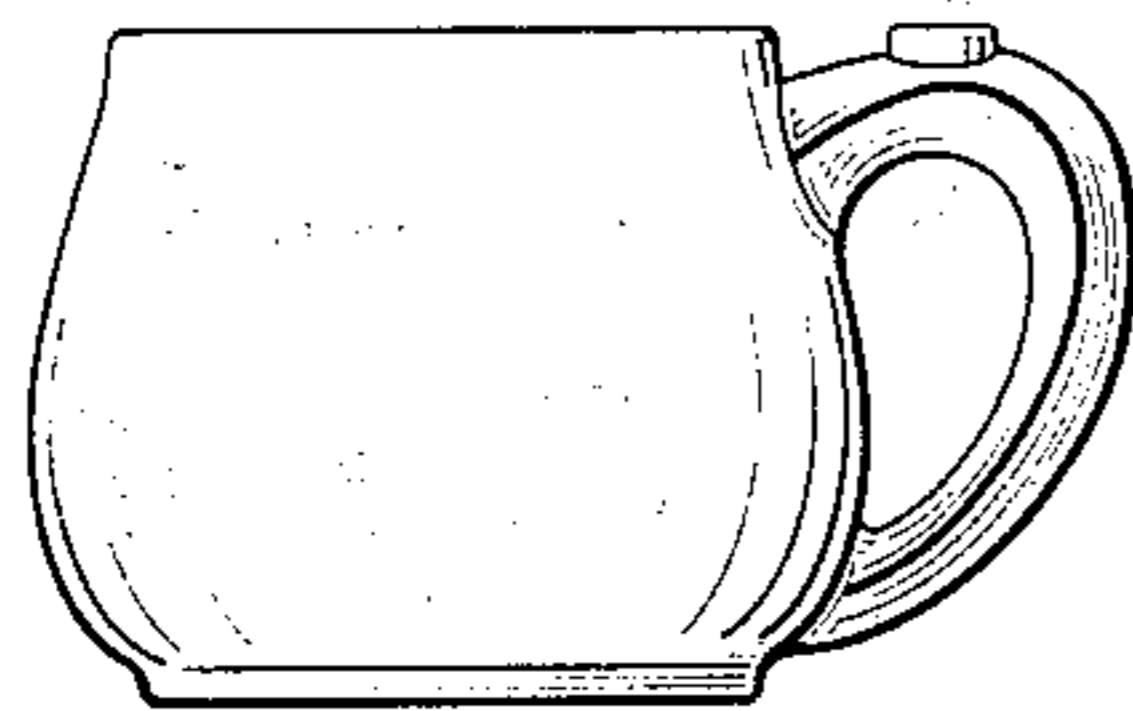
Primary Examiner—Winifred E. Herrmann  
Attorney, Agent, or Firm—Cislo, O'Reilly & Thomas

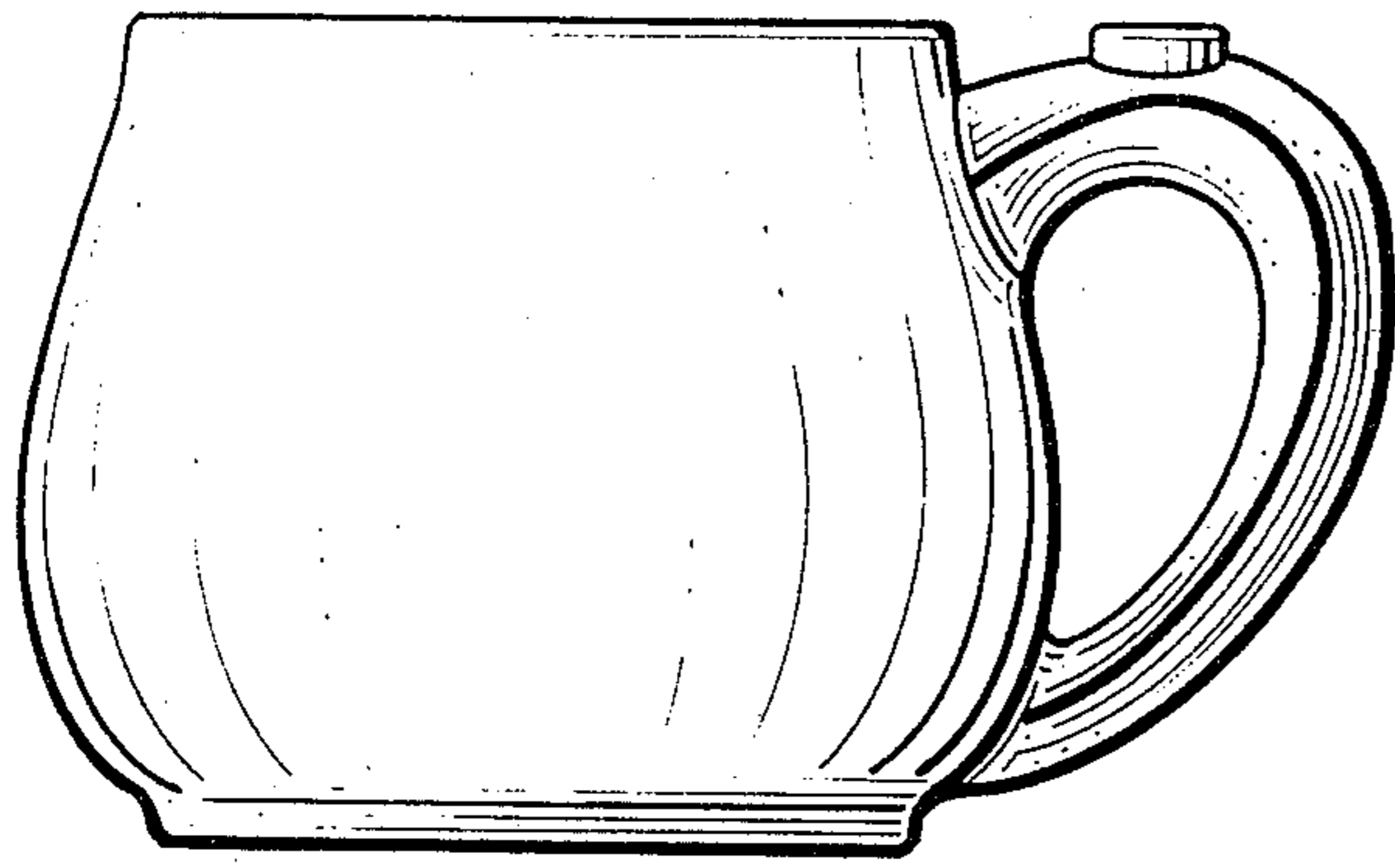
[57] CLAIM

The ornamental design for a beverage mug, as shown and described.

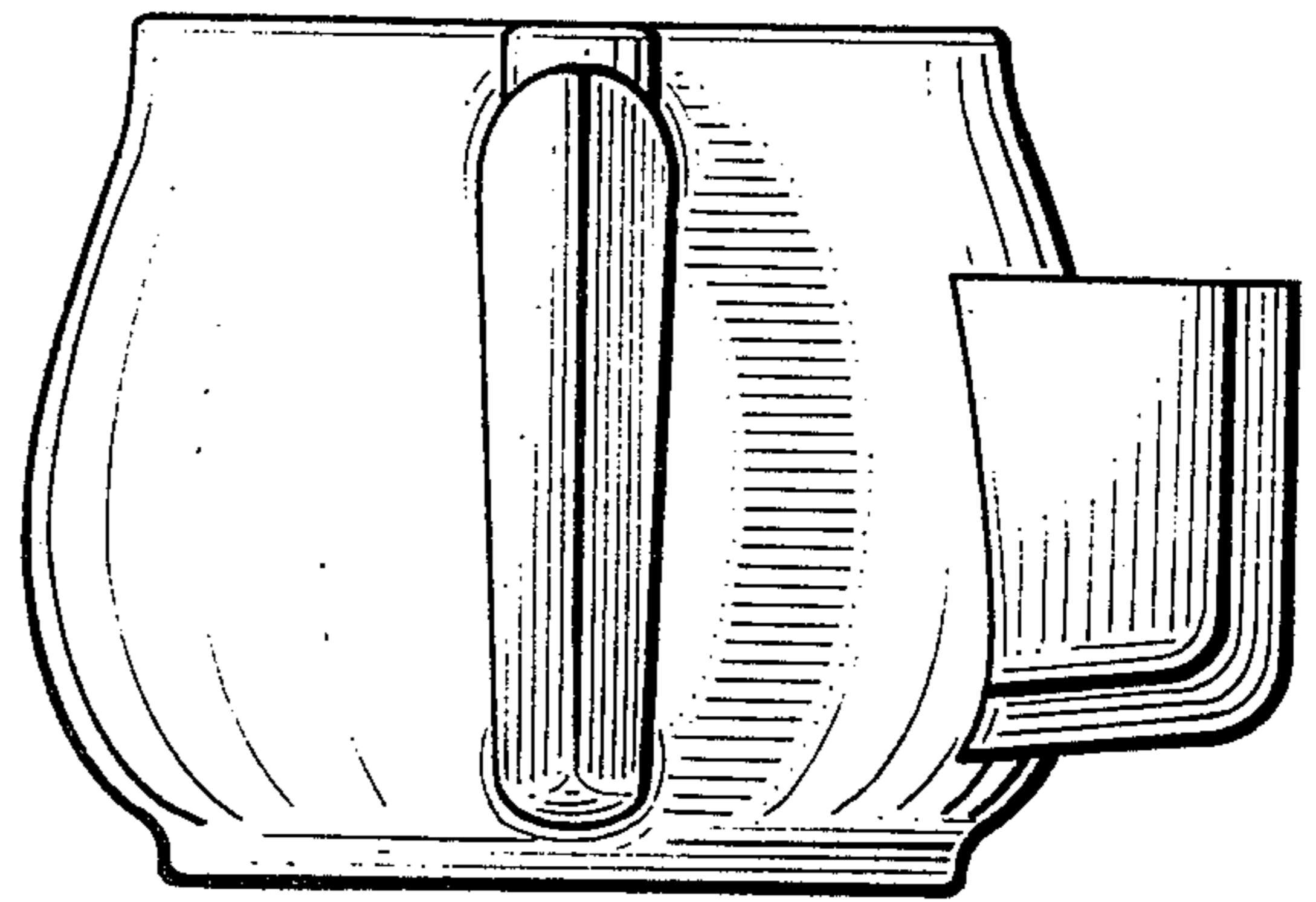
DESCRIPTION

FIG. 1 is a front elevational view of a beverage mug showing my new design; FIG. 2 is a right side elevational view thereof; FIG. 3 is a rear elevational view thereof; FIG. 4 is a left side elevational view thereof; FIG. 5 is a top plan view thereof; and FIG. 6 is a bottom plan view thereof.

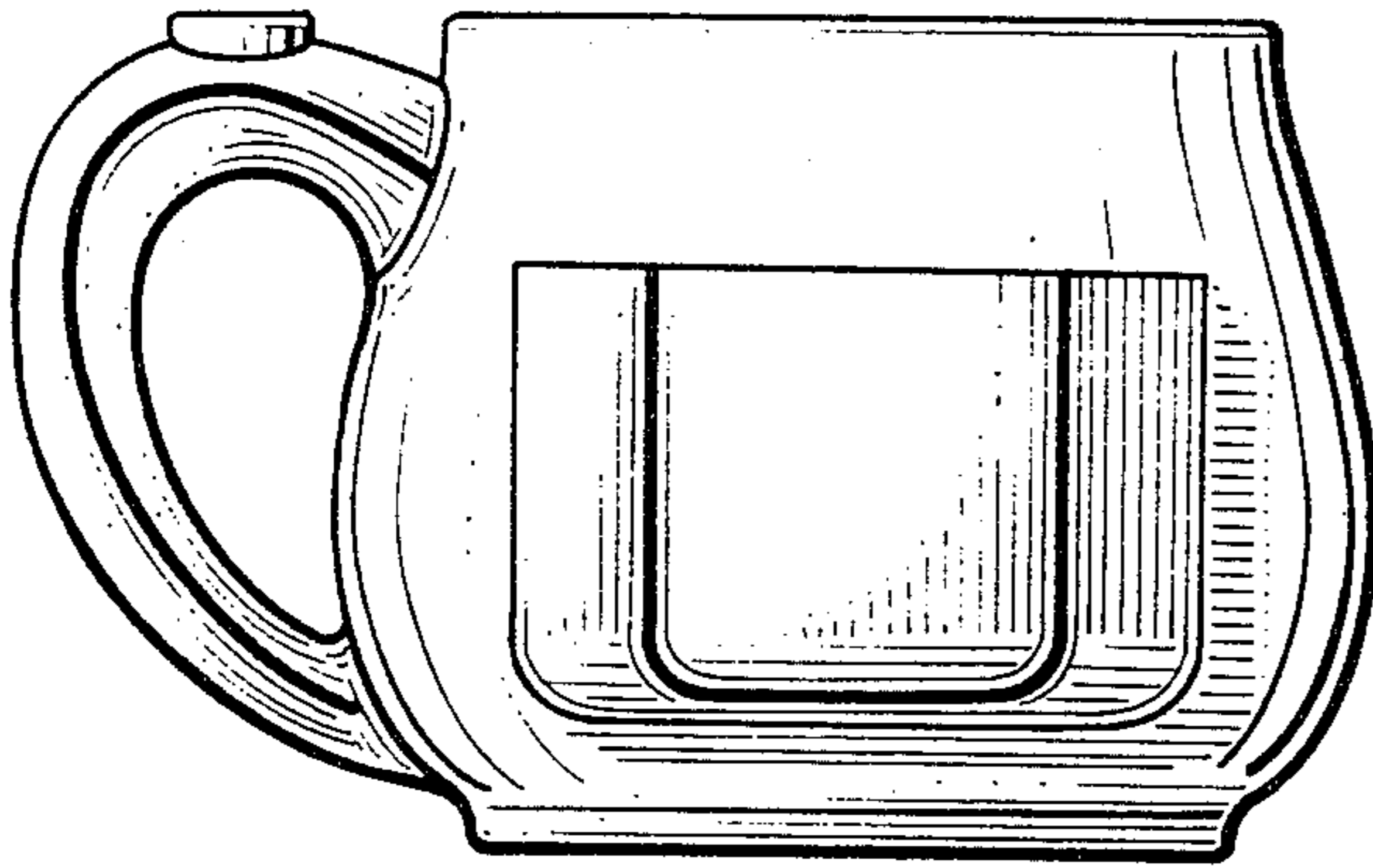




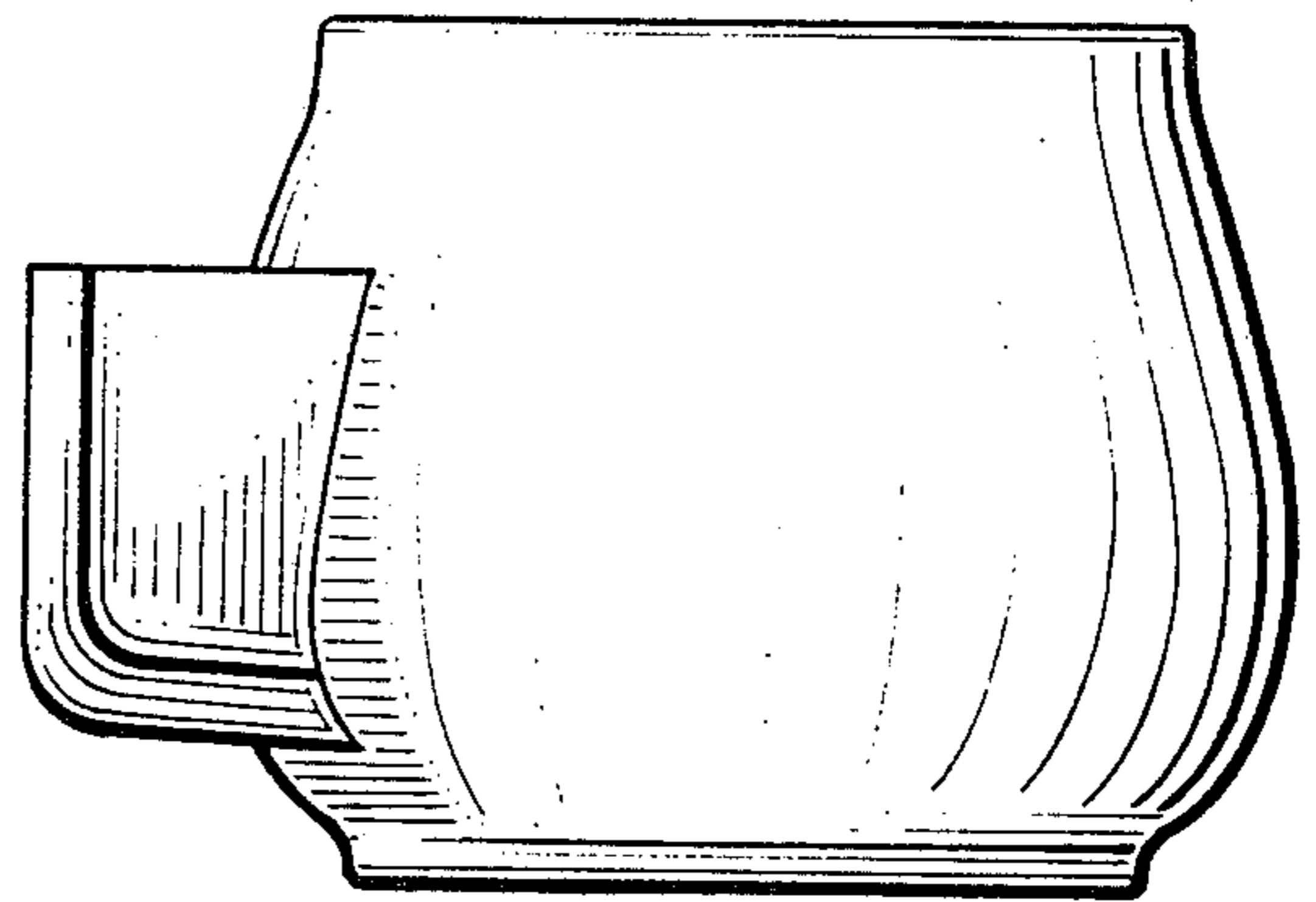
*Fig. 1.*



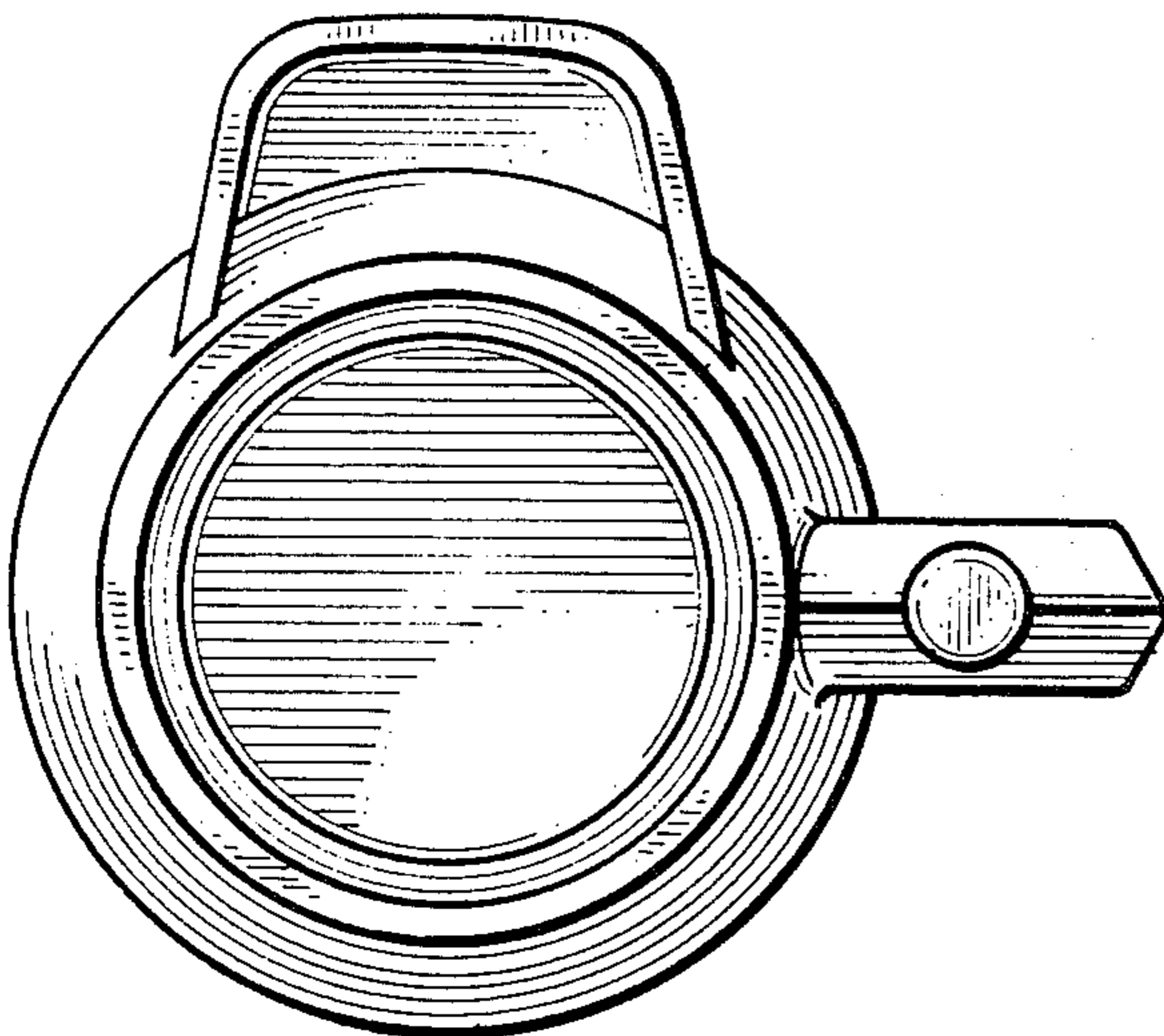
*Fig. 2.*



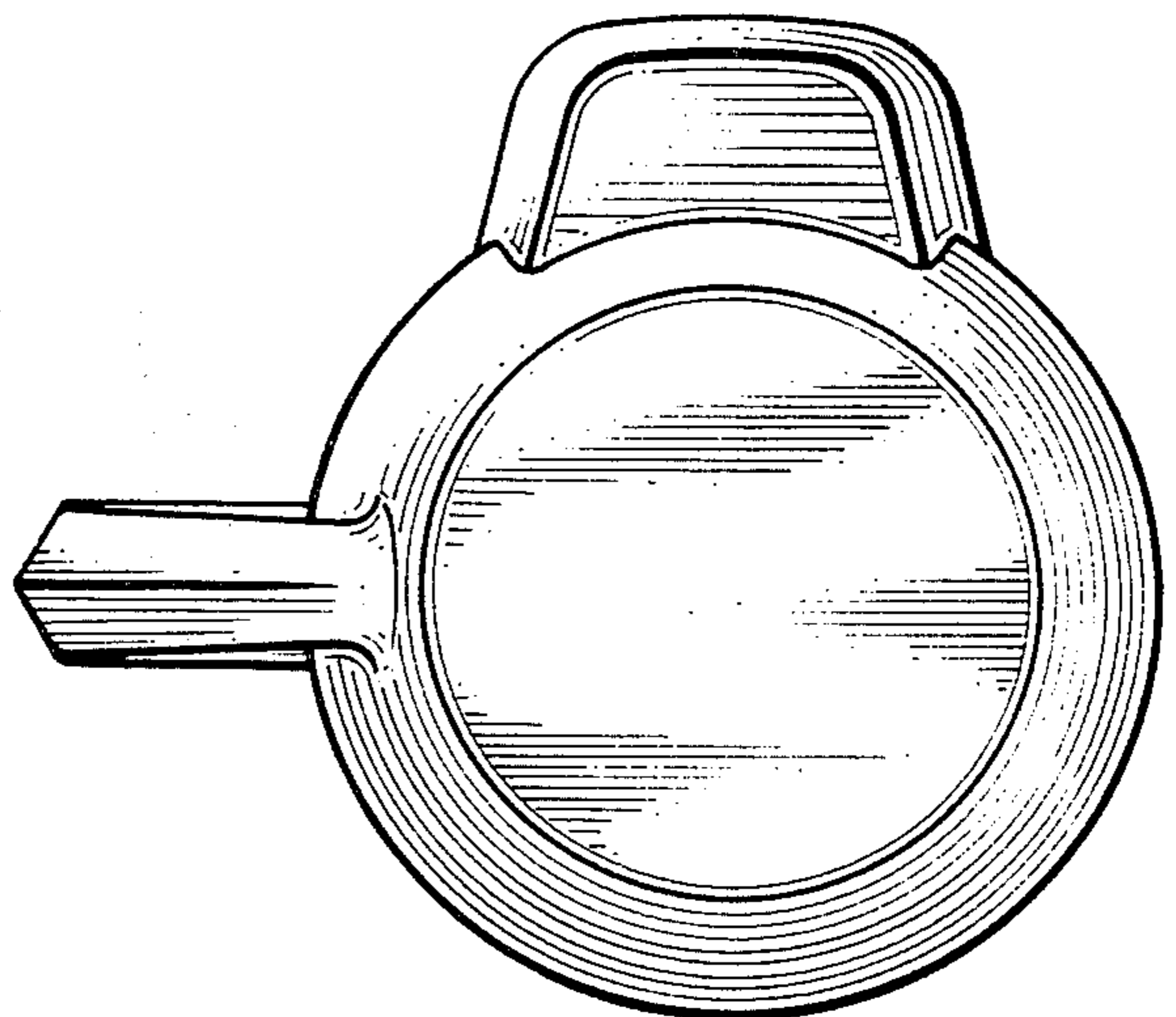
*Fig. 3.*



*Fig. 4.*



*Fig. 5.*



*Fig. 6.*