

[54] **ADJUSTABLE AUXILIARY CLOSET ROD UNIT**

[76] Inventor: Frank P. Campbell, 13463 W. 78th Pl., Arvada, Colo. 80005

[**] Term: 14 Years

[21] Appl. No.: 398,573

[22] Filed: Jul. 15, 1982

Related U.S. Application Data

[63] Continuation-in-part of Ser. No. 139,660, Apr. 14, 1980, abandoned.

[52] U.S. Cl. D6/513; D6/411; D8/373

[58] Field of Search D6/113; D8/373; 211/13, 211/113, 115, 117, 118, 119, 123, 105.1; 248/317, 214, 215

[56] **References Cited**

U.S. PATENT DOCUMENTS

D. 252,842	9/1979	McKee	D6/113
1,368,843	2/1921	Rosenthal	211/113
2,187,904	6/1965	Kiechle	211/118
2,193,215	3/1940	Witter	211/117
2,709,005	5/1955	Eckstein	211/113
2,714,965	8/1955	Fitzkee et al.	211/113
2,972,419	2/1961	Zelen et al.	211/113
3,162,473	12/1964	George	211/113
3,610,426	10/1971	Thomas	211/117

FOREIGN PATENT DOCUMENTS

7904229 5/1978 Netherlands 211/118

Primary Examiner—B. J. Bullock
Attorney, Agent, or Firm—Klaas & Law

[57] **CLAIM**

The ornamental design for an adjustable auxiliary closet rod unit, substantially as shown and described.

DESCRIPTION

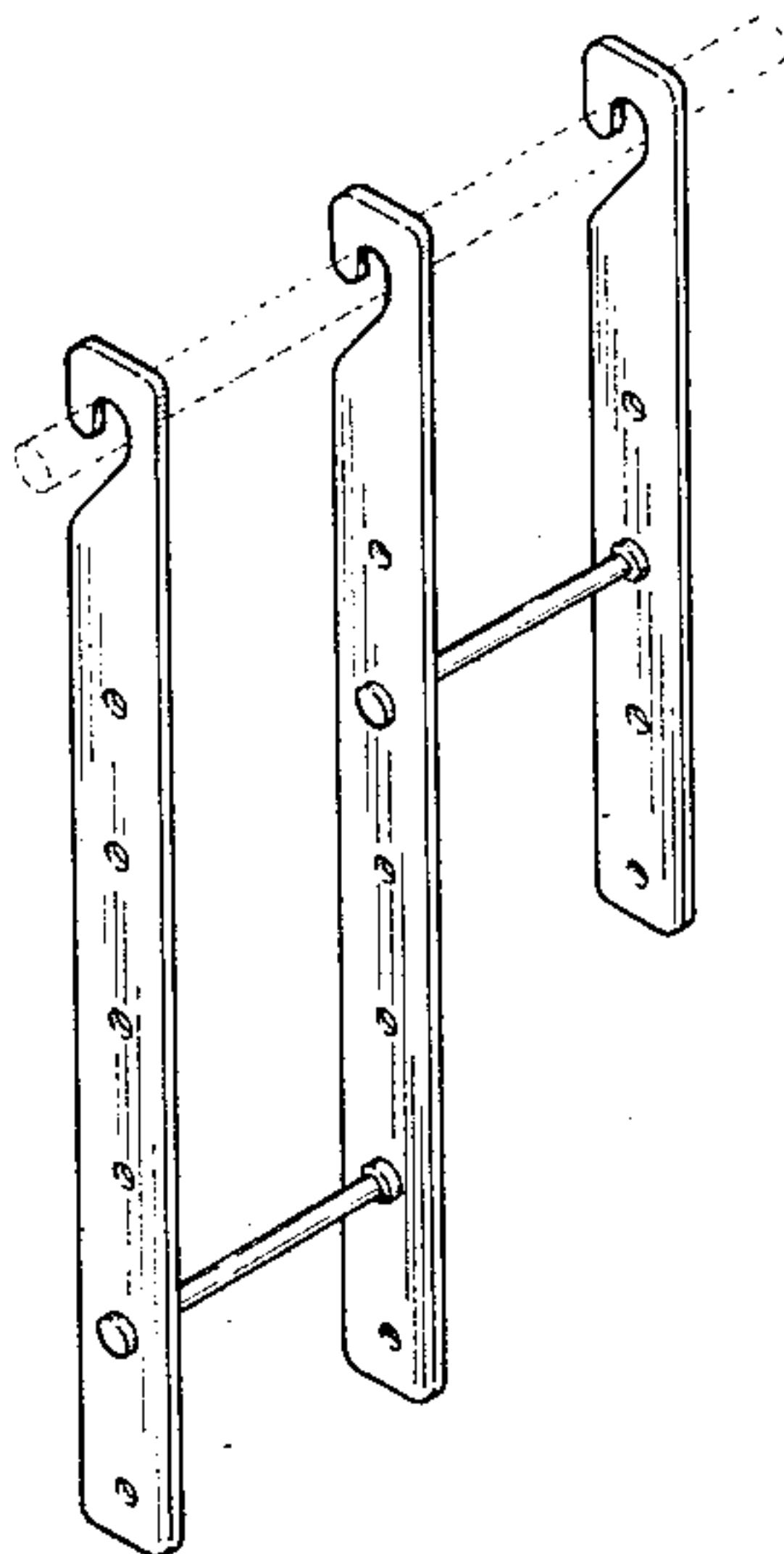
FIG. 1 is a perspective view of adjustable auxiliary closet rod unit showing my new design with an upper conventional closet rod being shown in broken lines for illustrative purposes only;

FIG. 2 is a side elevational view of the longer hanger bar support member of FIG. 1 taken from the right side of FIG. 1;

FIG. 3 is a side elevational view taken from the right side of FIG. 1 of the shorter hanger bar support member shown in FIG. 1;

FIG. 4 is a side elevational view of a second embodiment of a hanger bar member of the design of FIG. 1, shown broken away to indicate indeterminate length, instead of a slotted hook shape opening, the only difference being the use of a circular closed opening for the upper suspension means;

FIG. 5 is an enlarged fragmentary front elevational view of a hanger rod mounted between a pair of hanger bar members as shown in FIG. 1.



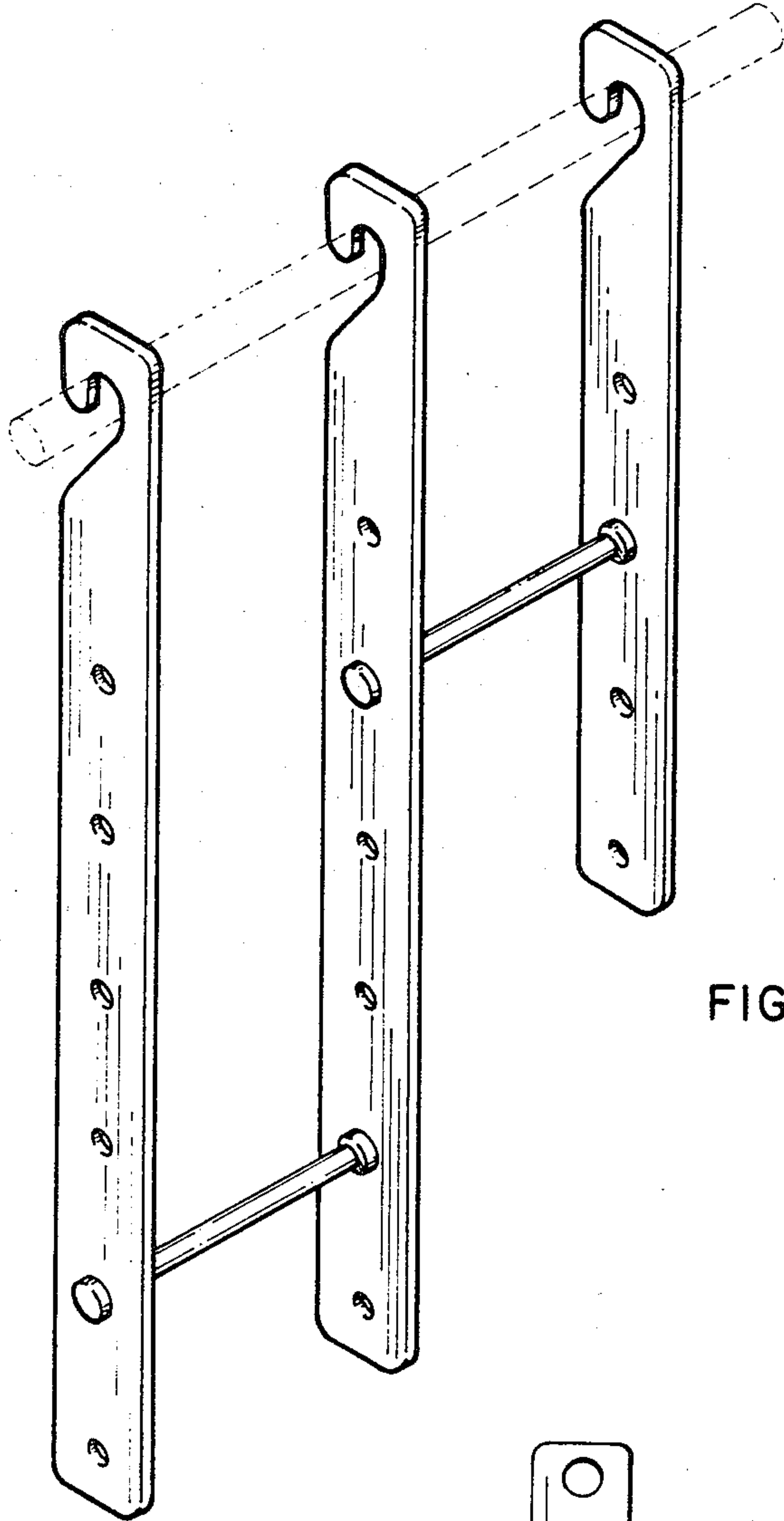


FIG. 1

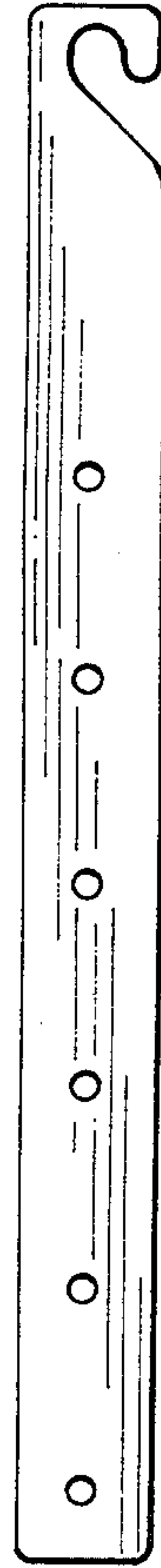


FIG. 2

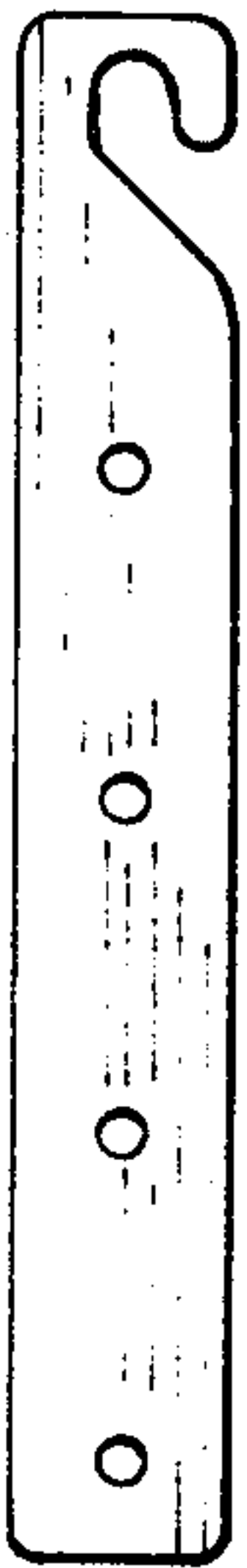


FIG. 3

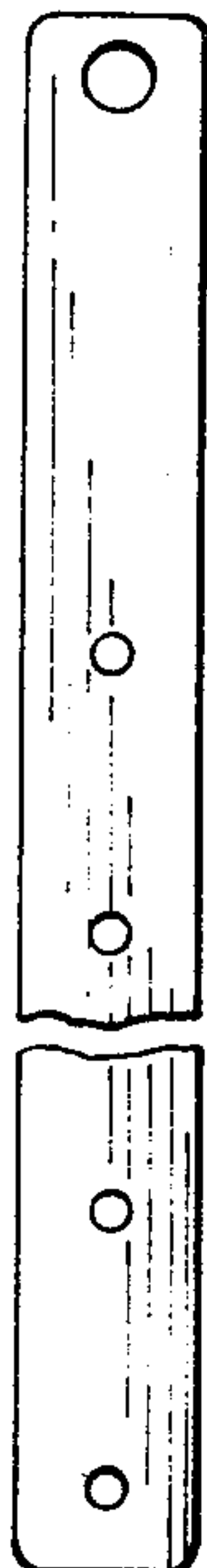


FIG. 4

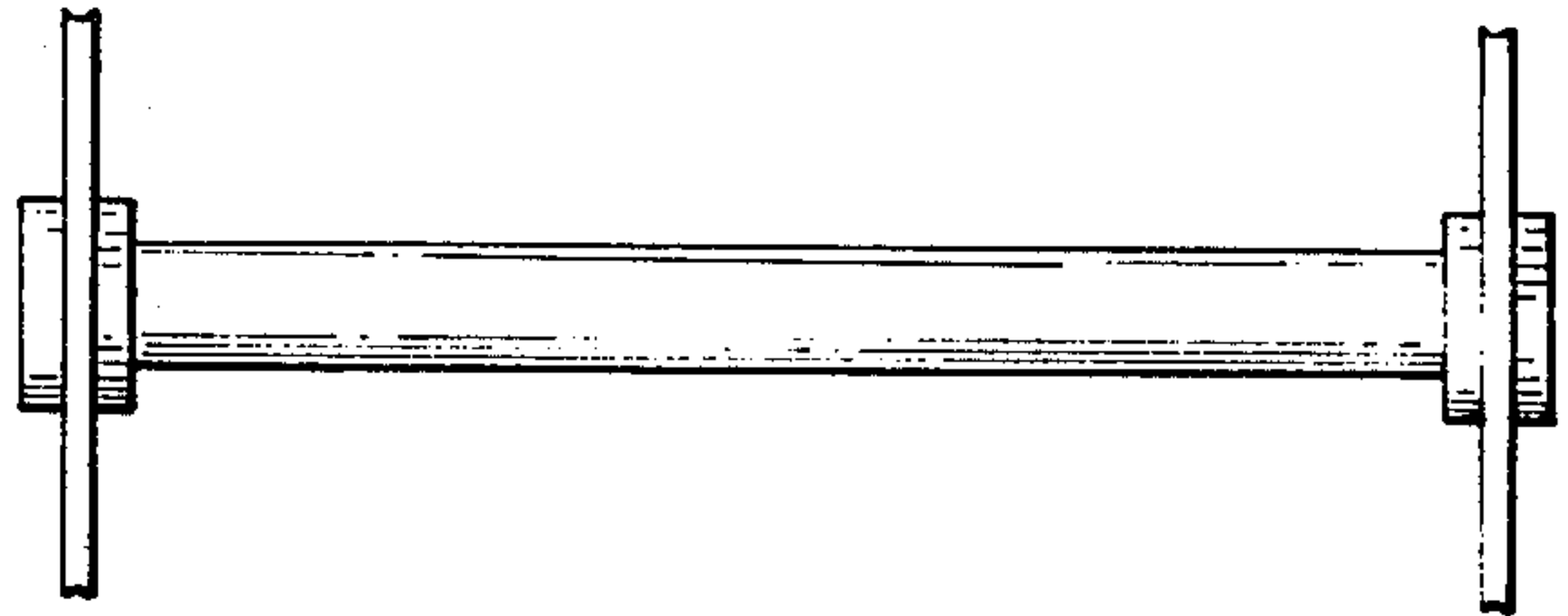


FIG. 5