

[54] CONVERTIBLE BED

[76] Inventor: James R. Hull, 148 S. Westgate Ave.,  
Los Angeles, Calif. 90049

[\*\*] Term: 14 Years

[21] Appl. No.: 367,161

[22] Filed: Apr. 12, 1982

[52] U.S. Cl. .... D6/384; D6/390

[58] Field of Search ..... D6/79-83,  
D6/198; 5/96, 236 R, 280, 400, 2 R, 4

[56] References Cited

U.S. PATENT DOCUMENTS

1,391,566	9/1921	Musselman	5/2 R
2,223,955	12/1940	Greenbaum	5/2 R X
2,651,057	9/1953	Power	5/96 X

FOREIGN PATENT DOCUMENTS

485356 7/1952 Canada ..... 5/4

OTHER PUBLICATIONS

Sears Fall-Winter '79 Cat., "Eastern 39G7702 Ed. 2596", p. 1598, Item B, #1G6740N2H.

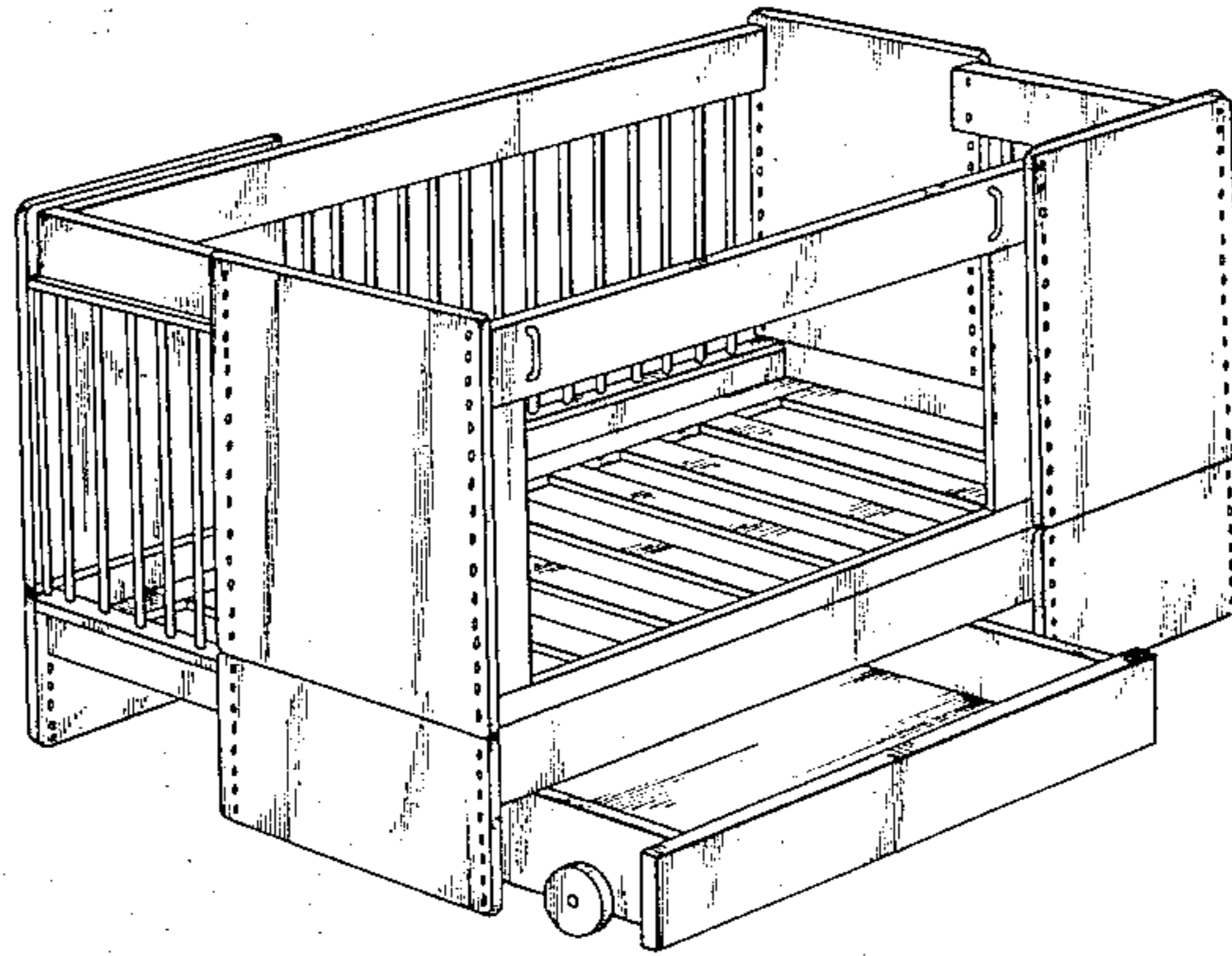
Primary Examiner—Jane E. Corrigan  
Attorney, Agent, or Firm—Jessup & Beecher

[57] CLAIM

The ornamental design for a convertible bed, substantially as shown.

DESCRIPTION

FIG. 1 is an end, top and side perspective view of a convertible bed showing my new design; and FIG. 2 is a perspective view thereof taken from the opposite side and end.



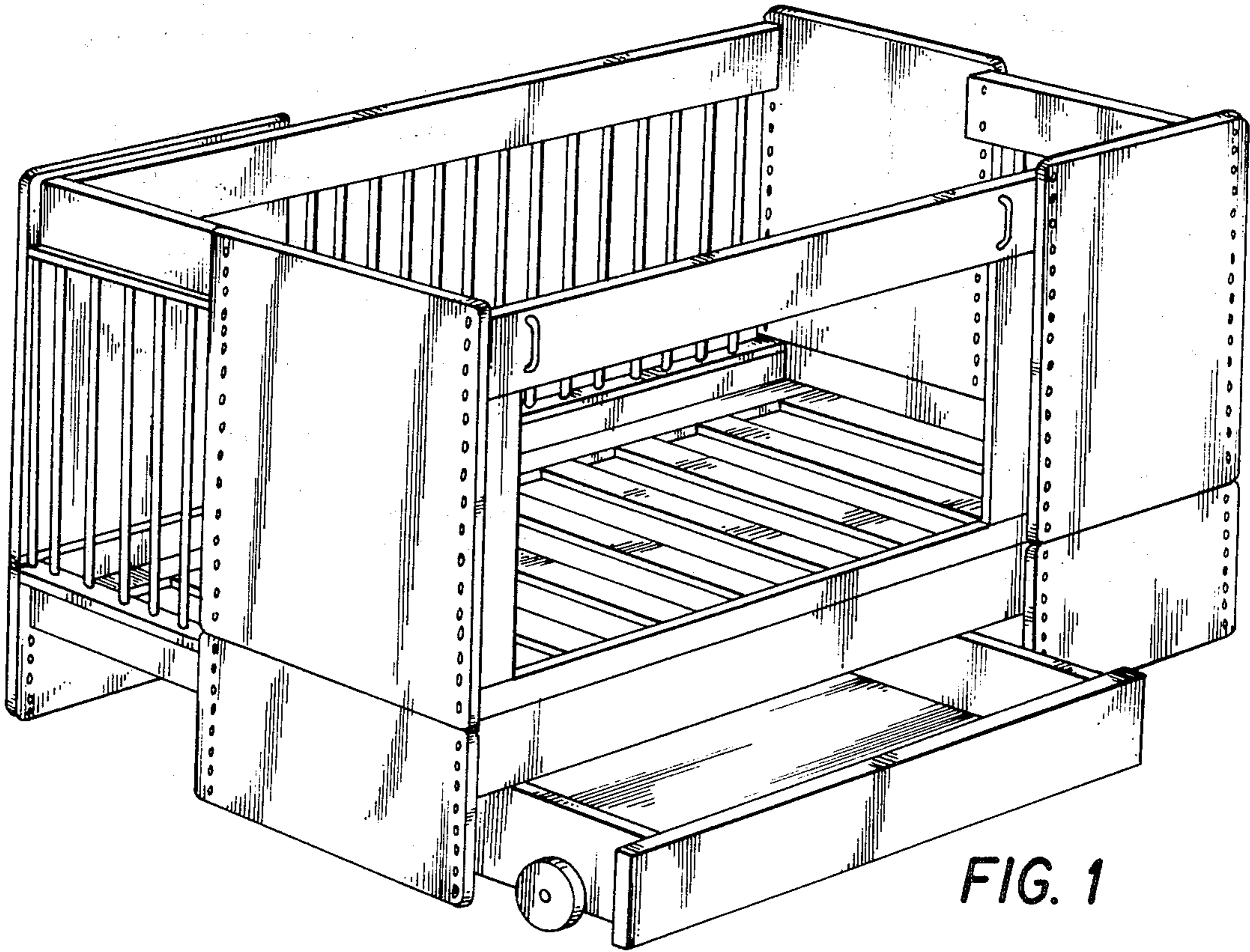


FIG. 1

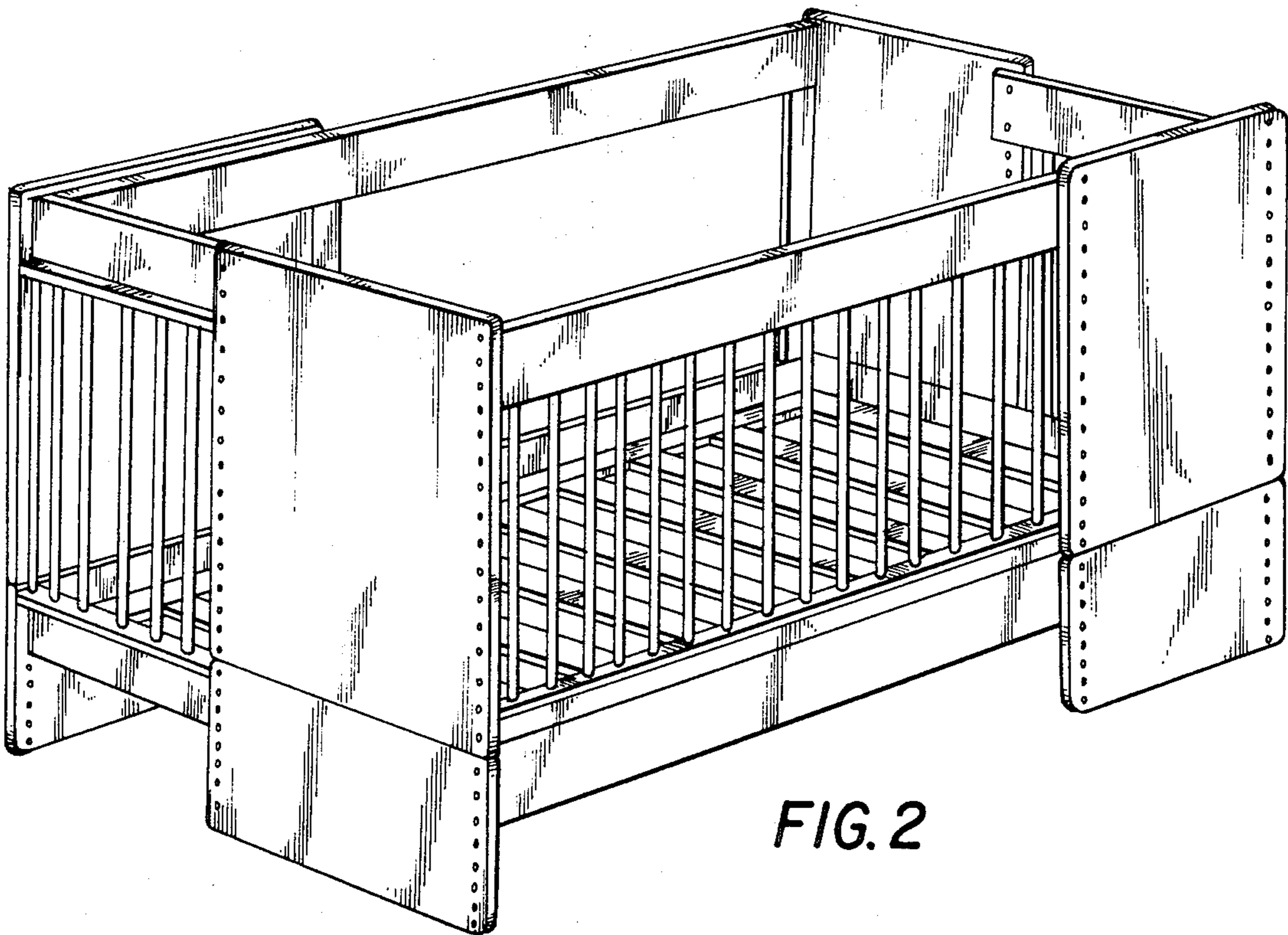


FIG. 2