

[54] TOILET ROLL HOLDER

[76] Inventor: Bruce R. Thompson, 32 Shakespeare Ave., Tranmere, South Australia, Australia

[**] Term: 14 Years

[21] Appl. No.: 446,857

[22] Filed: Dec. 3, 1982

[30] Foreign Application Priority Data

Oct. 12, 1982 [AU] Australia	1824/82
[52] U.S. Cl.	D6/97
[58] Field of Search	D6/86, 96, 97;
	242/55.2, 55.3, 55.54, 55.42, 55.53; 211/87, 16,
	605 K

[56] References Cited

U.S. PATENT DOCUMENTS

D. 254,413	3/1980	Pool	D6/86
2,592,571	4/1952	Huntington	D6/97

OTHER PUBLICATIONS

Gift and Decorative Accessories, Toilet Roll Holder in middle corner for H.u.d.d.l.e. tools which is located in the lower right corner.

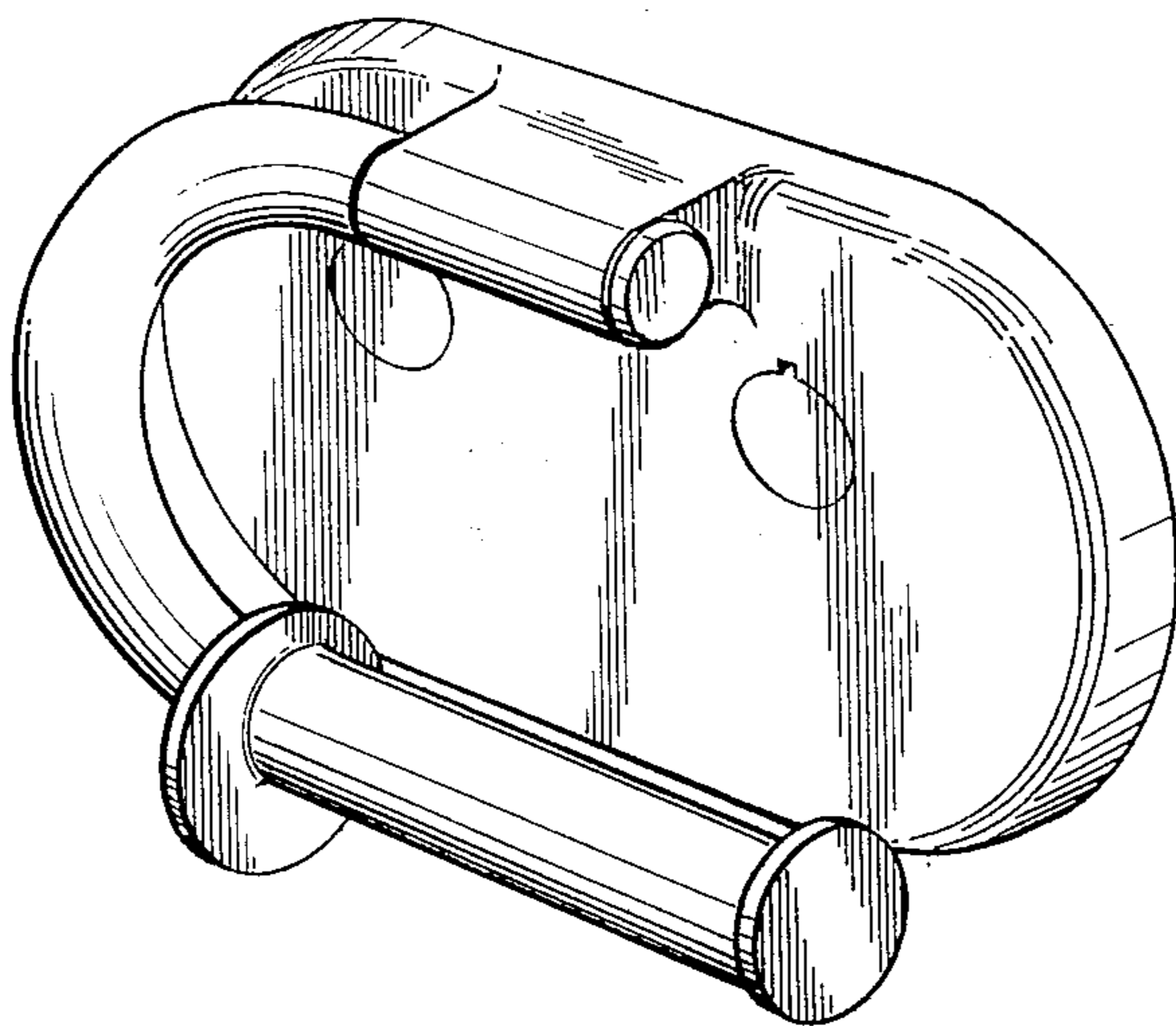
Primary Examiner—Wallace R. Burke
Assistant Examiner—Suzanne N. Gitlin
Attorney, Agent, or Firm—McDougall, Hersh & Scott

[57] CLAIM

The ornamental design for a toilet roll holder, as shown.

DESCRIPTION

FIG. 1 is a perspective view of a toilet roll holder showing my new design;
FIG. 2 is a front elevational view thereof;
FIG. 3 is a rear elevational view thereof;
FIG. 4 is a top plan view thereof;
FIG. 5 is a bottom plan view thereof;
FIG. 6 is a side elevational view taken from the left of FIG. 1;
FIG. 7 is a side elevational view taken from the right of FIG. 1.



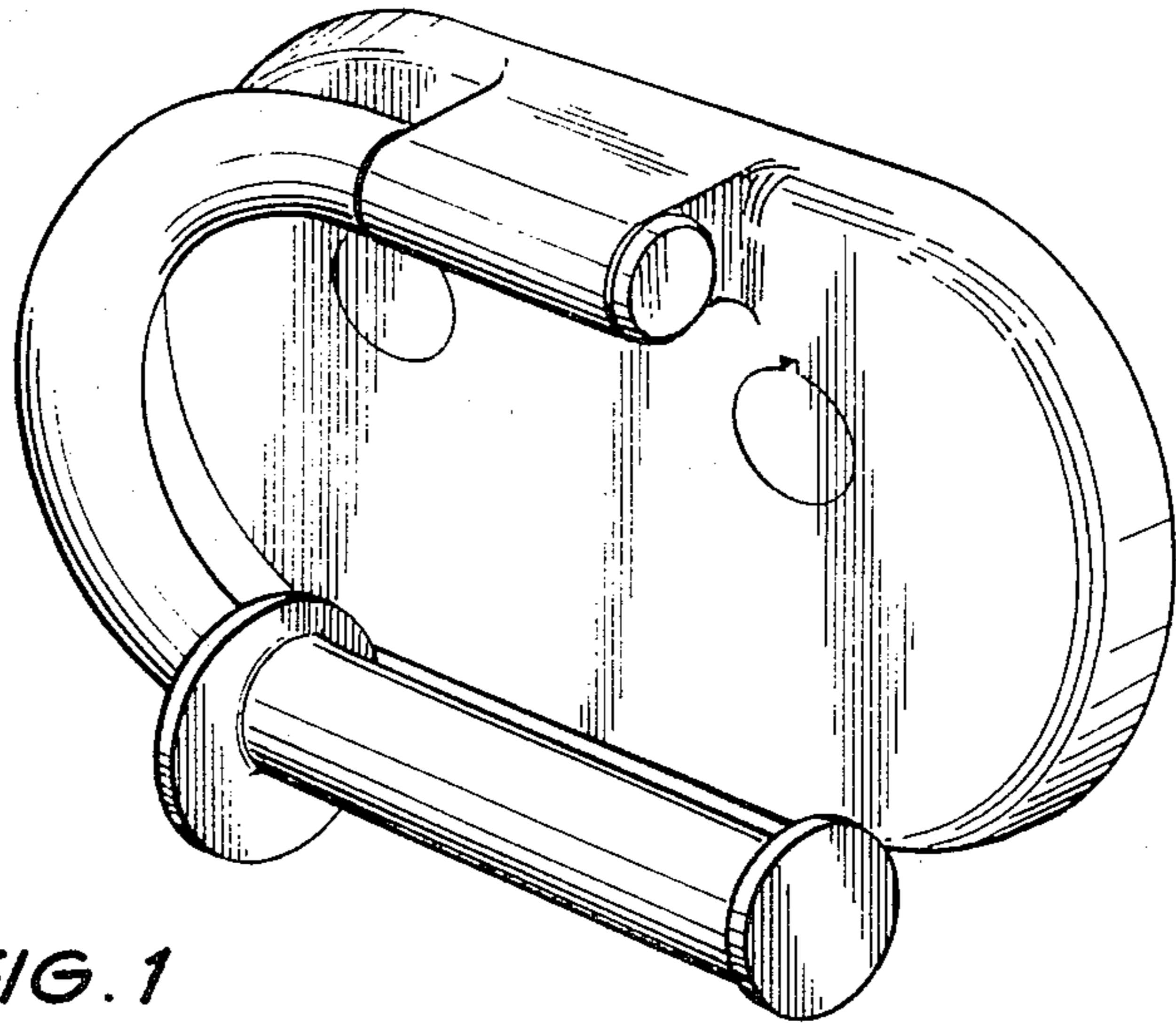


FIG. 1

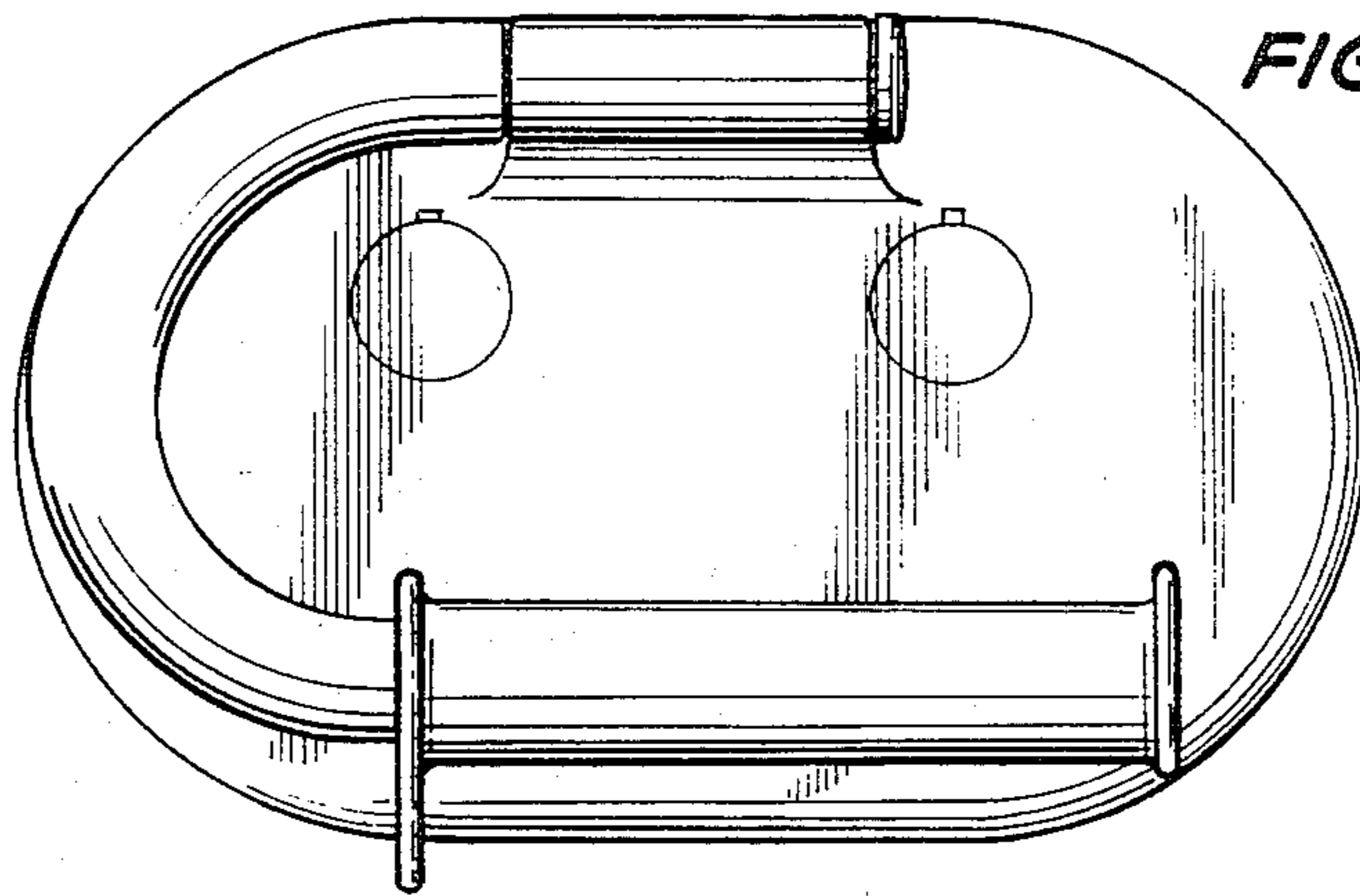


FIG. 2

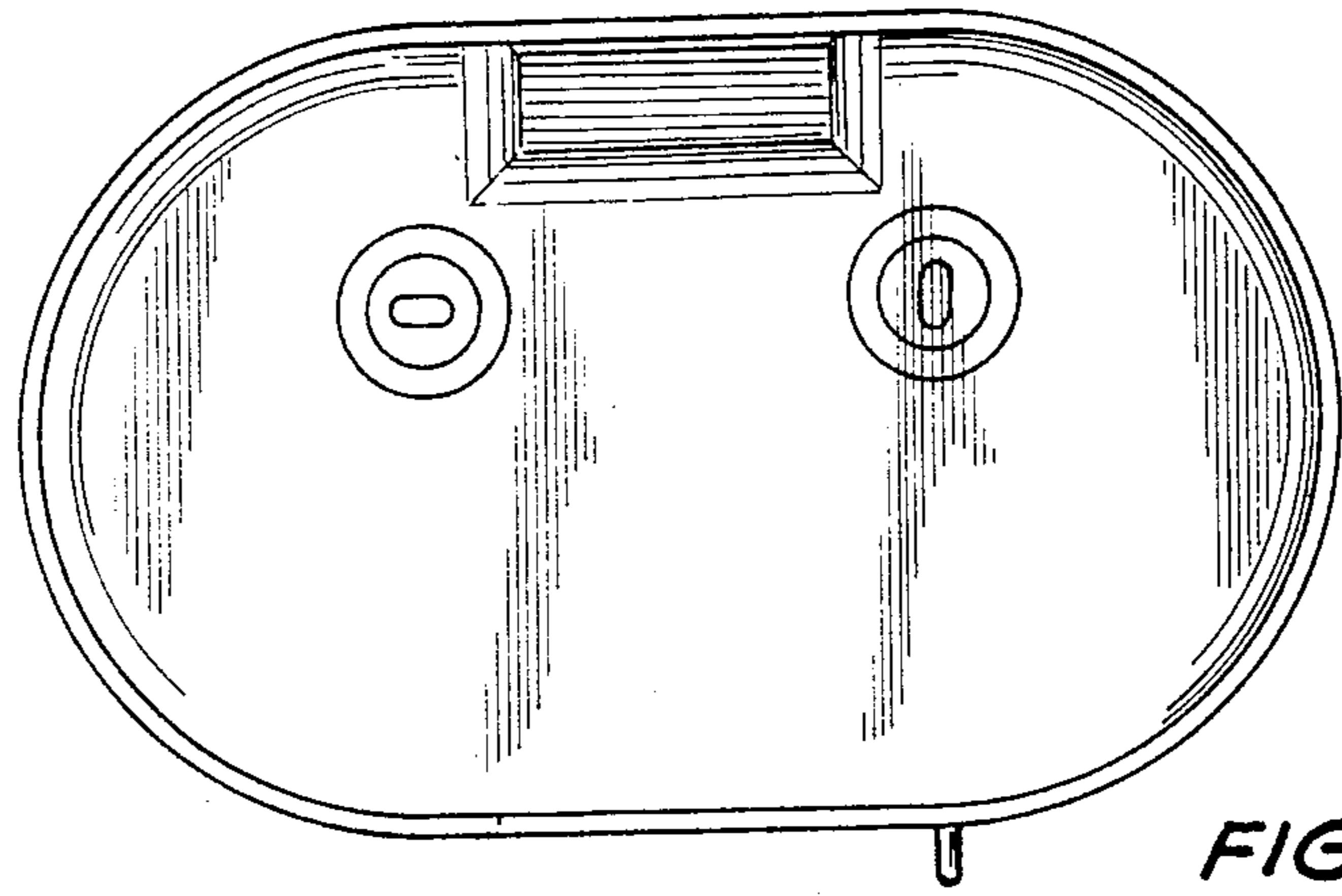


FIG. 3

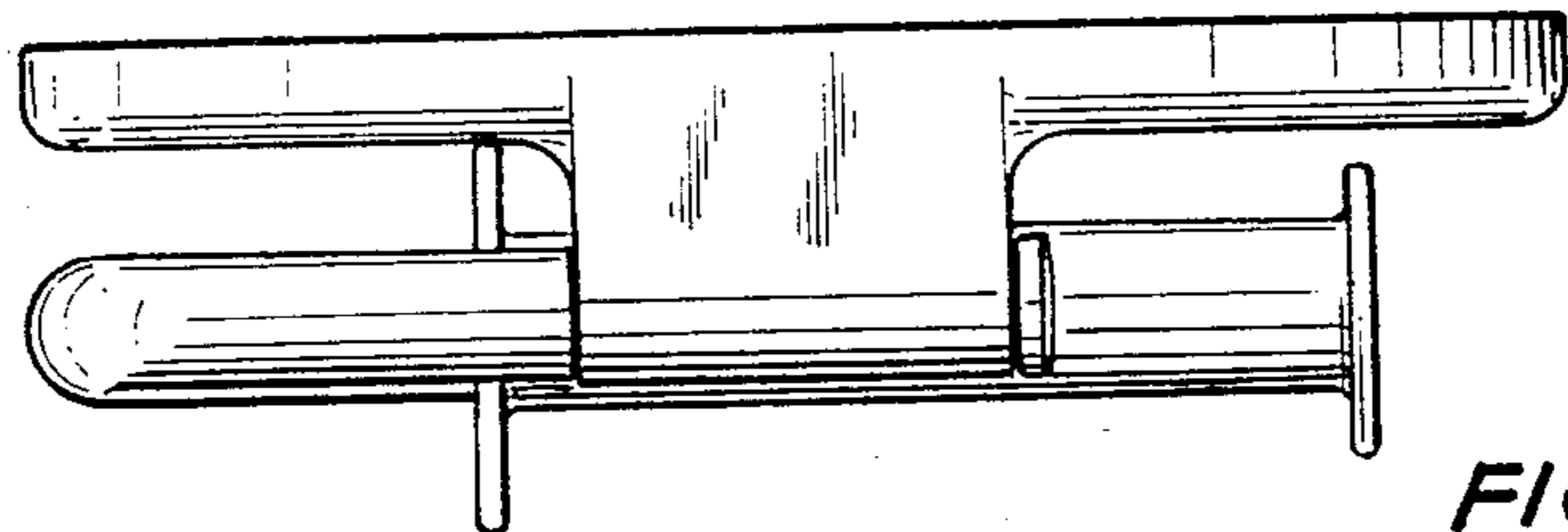


FIG. 4

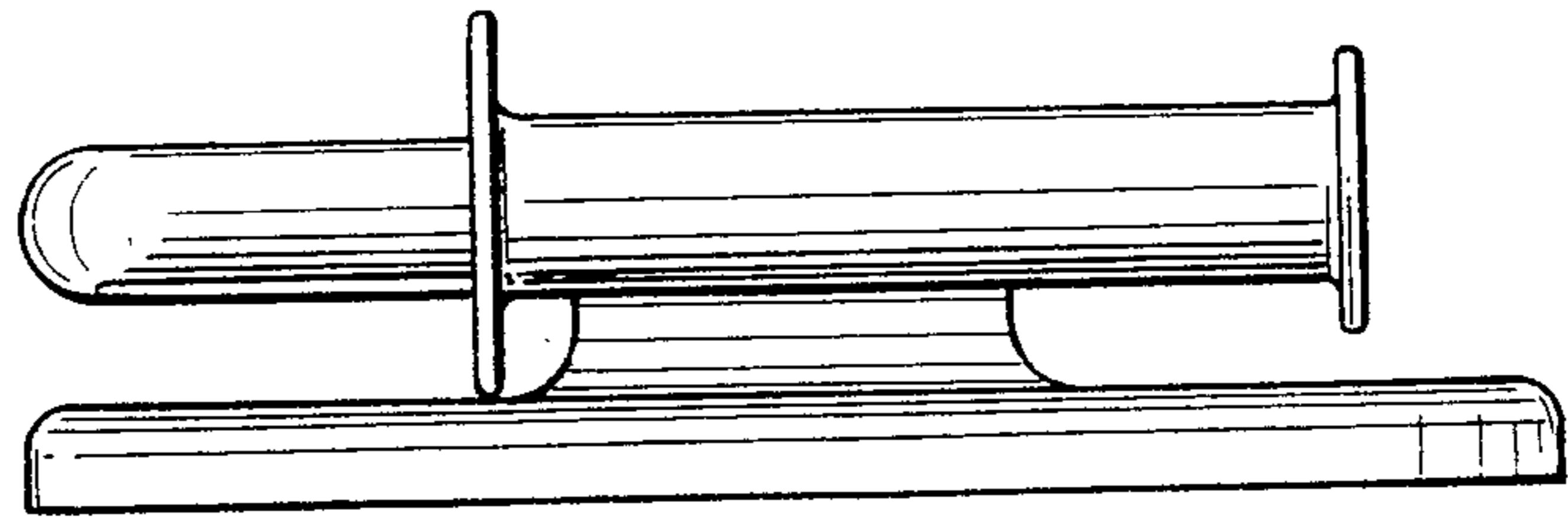


FIG. 5

FIG. 6

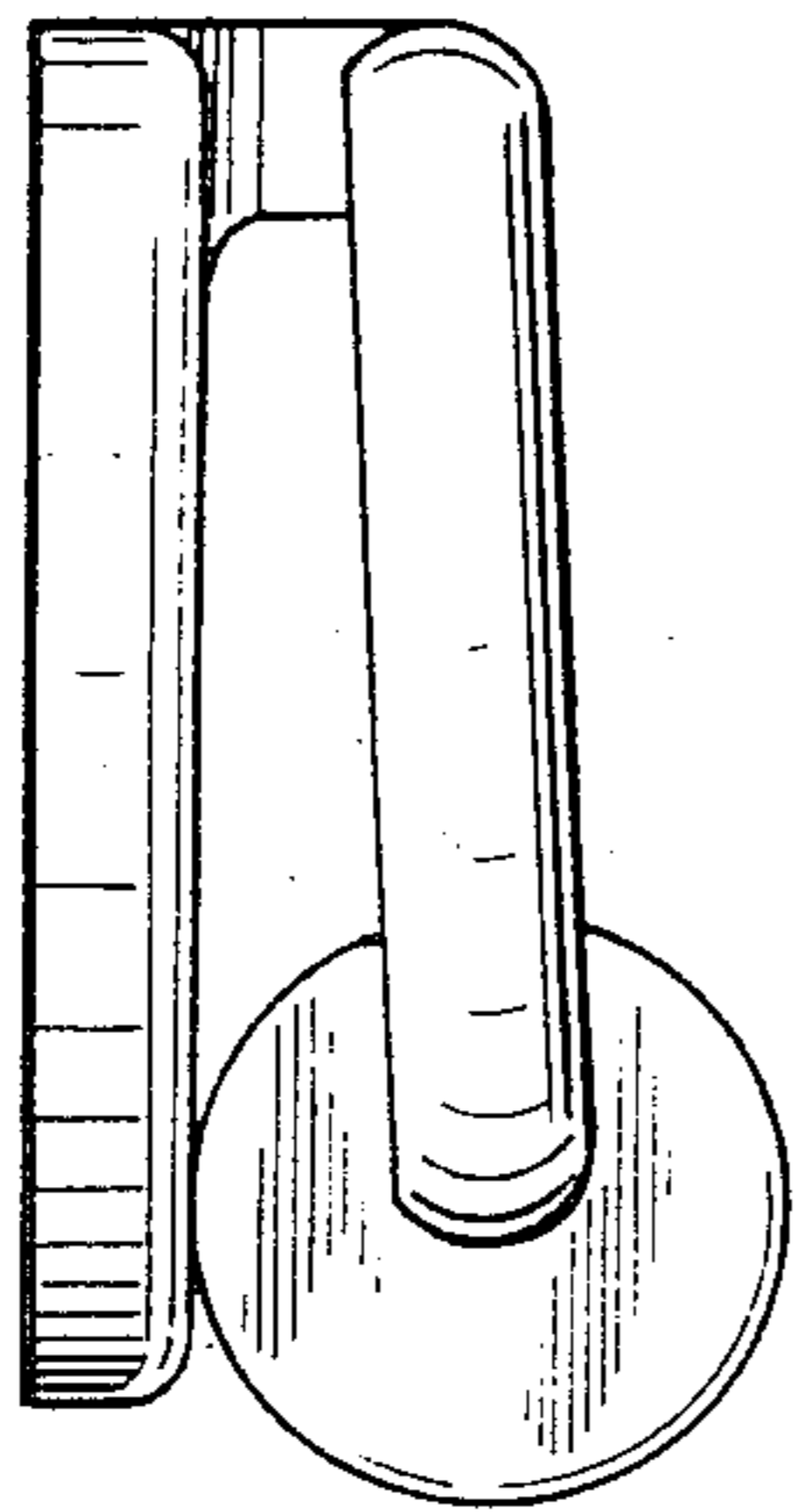


FIG. 7

