

[54] CHAISE LOUNGE

[75] Inventors: Joel A. Kramer, Bradenton, Fla.;
Alton A. Harper, Tustin, Calif.

[73] Assignee: Tropitone Furniture Company, Inc.,
Sarasota, Fla.

[**] Term: 14 Years

[21] Appl. No.: 430,164

[22] Filed: Sep. 30, 1982

[52] U.S. Cl. D6/361

[58] Field of Search D6/22, 37-39,
D6/47, 67, 69, 72, 73

[56] References Cited

U.S. PATENT DOCUMENTS

D. 147,489 9/1947 Cook et al. D6/38

D. 148,666 2/1948 Vincent, Jr. D6/38
D. 234,102 1/1975 Uyeda D6/38
D. 268,235 3/1983 Bergquist D6/38
4,234,226 11/1980 Colby D6/38 X

Primary Examiner—Bruce W. Dunkins
Attorney, Agent, or Firm—Mason, Fenwick & Lawrence

[57] CLAIM

The ornamental design for a chaise lounge, substantially as shown.

DESCRIPTION

FIG. 1 is a perspective view of a chaise lounge embodying our new design;
FIG. 2 is a top plan view thereof;
FIG. 3 is a front elevation view thereof;
FIG. 4 is a rear elevation view thereof;
FIG. 5 is a side elevation view thereof; and
FIG. 6 is a bottom plan view thereof.

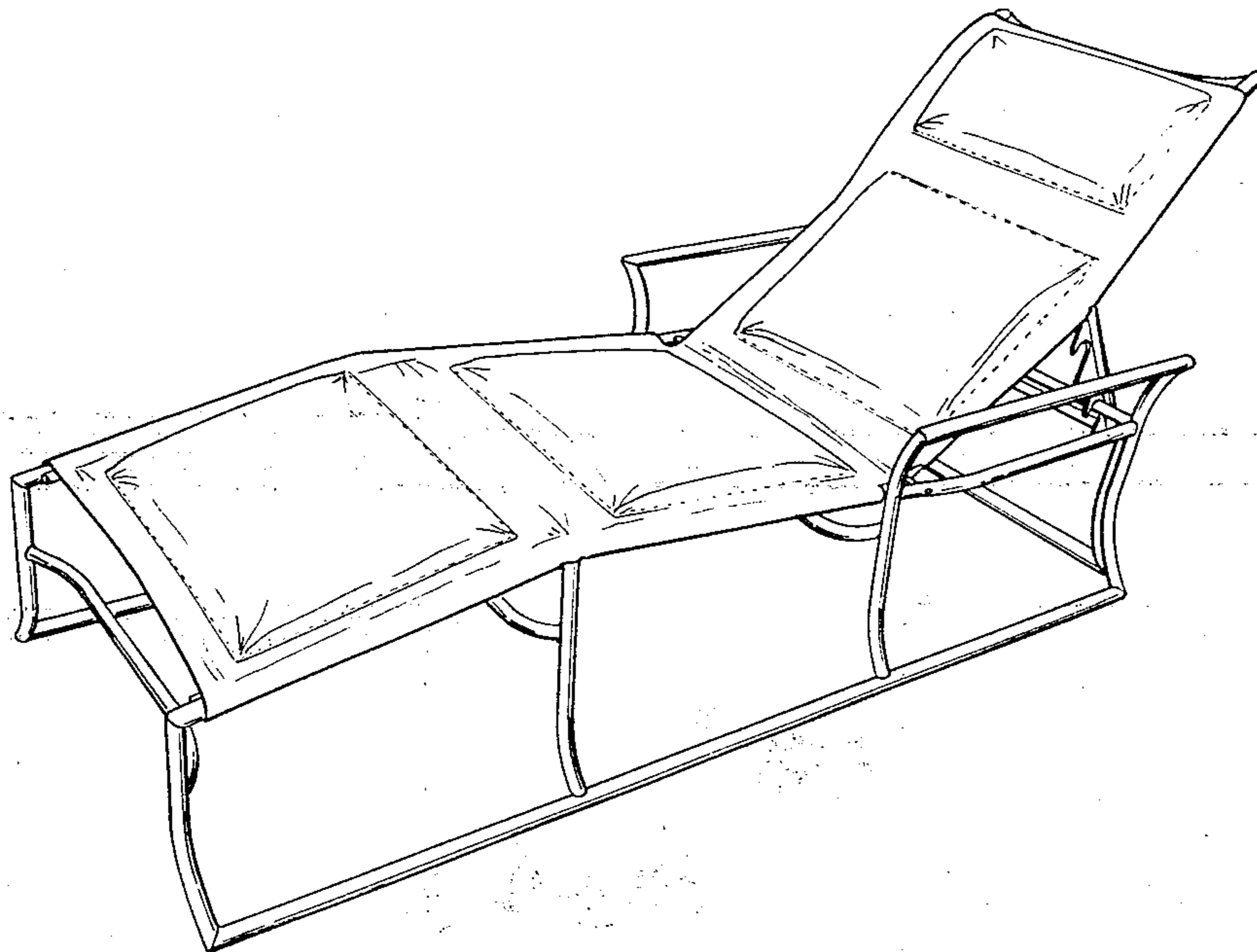


Fig-1

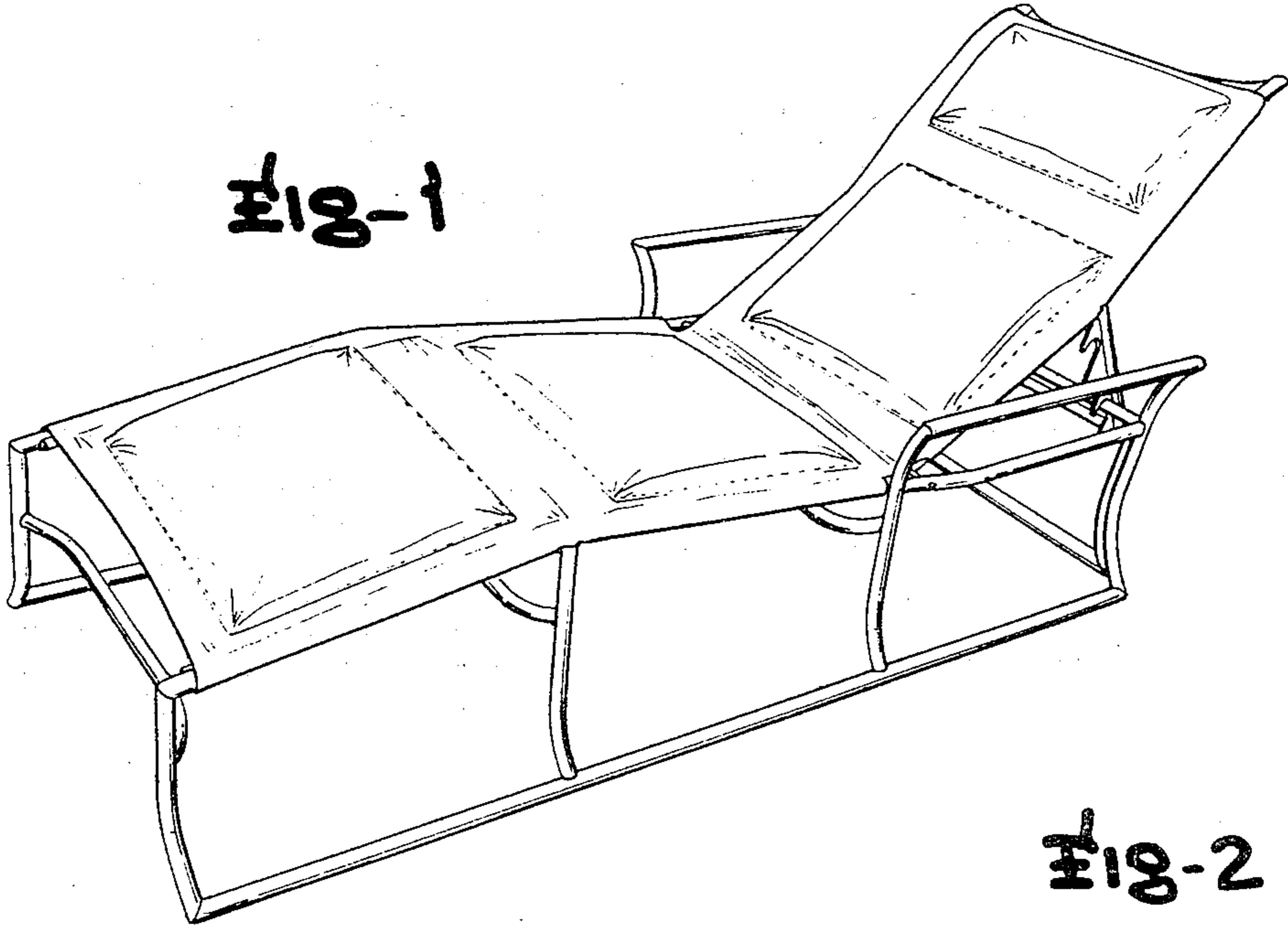


Fig-2

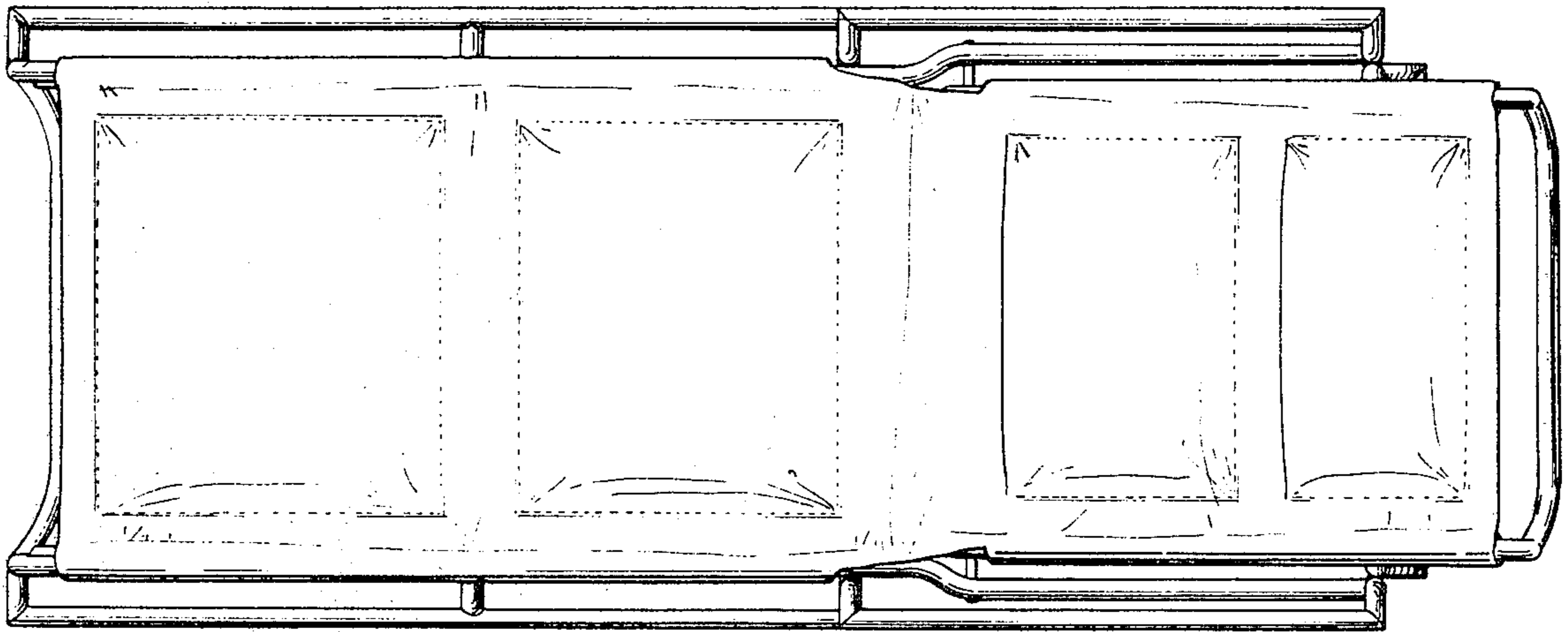


Fig-3

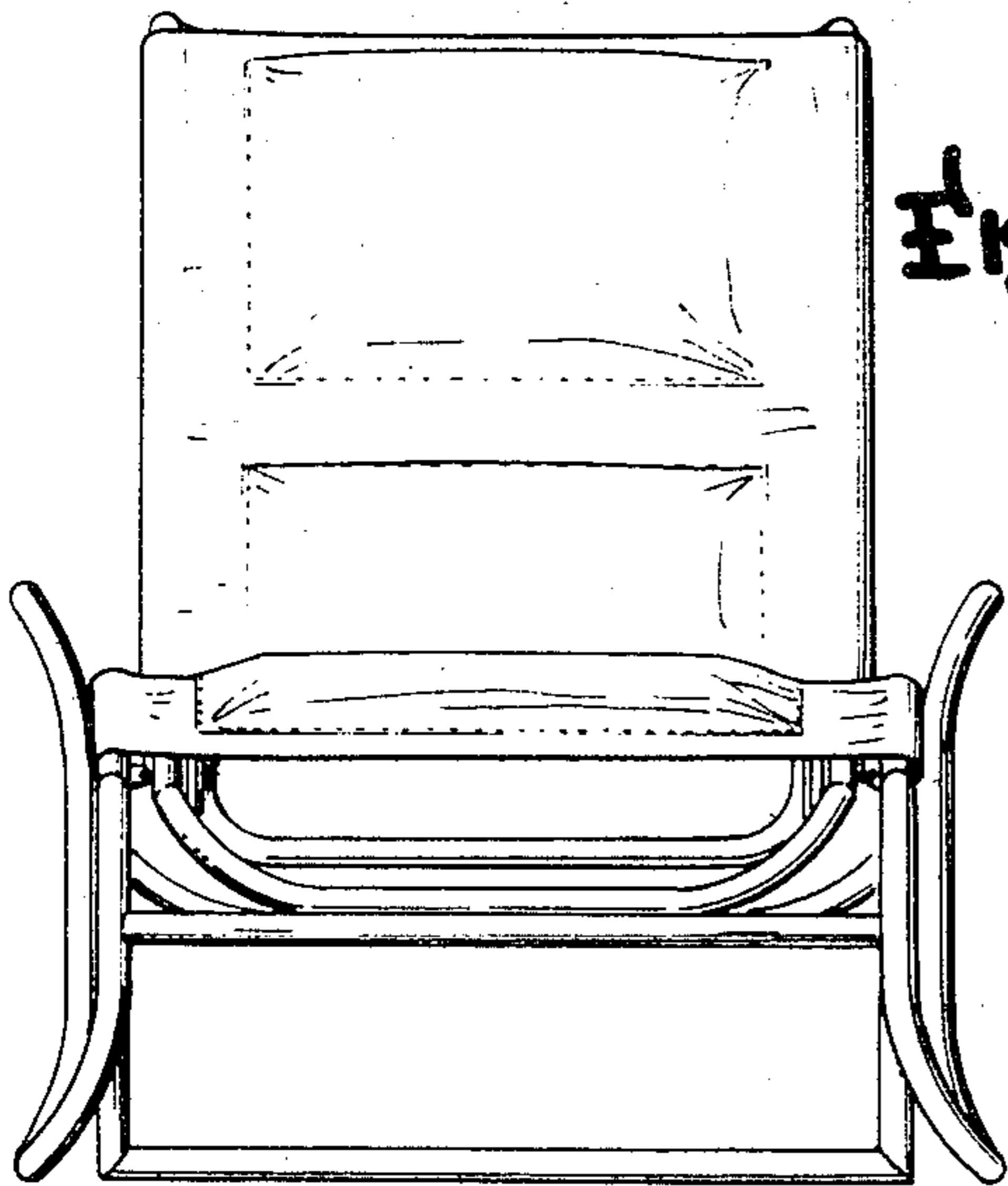


Fig-4

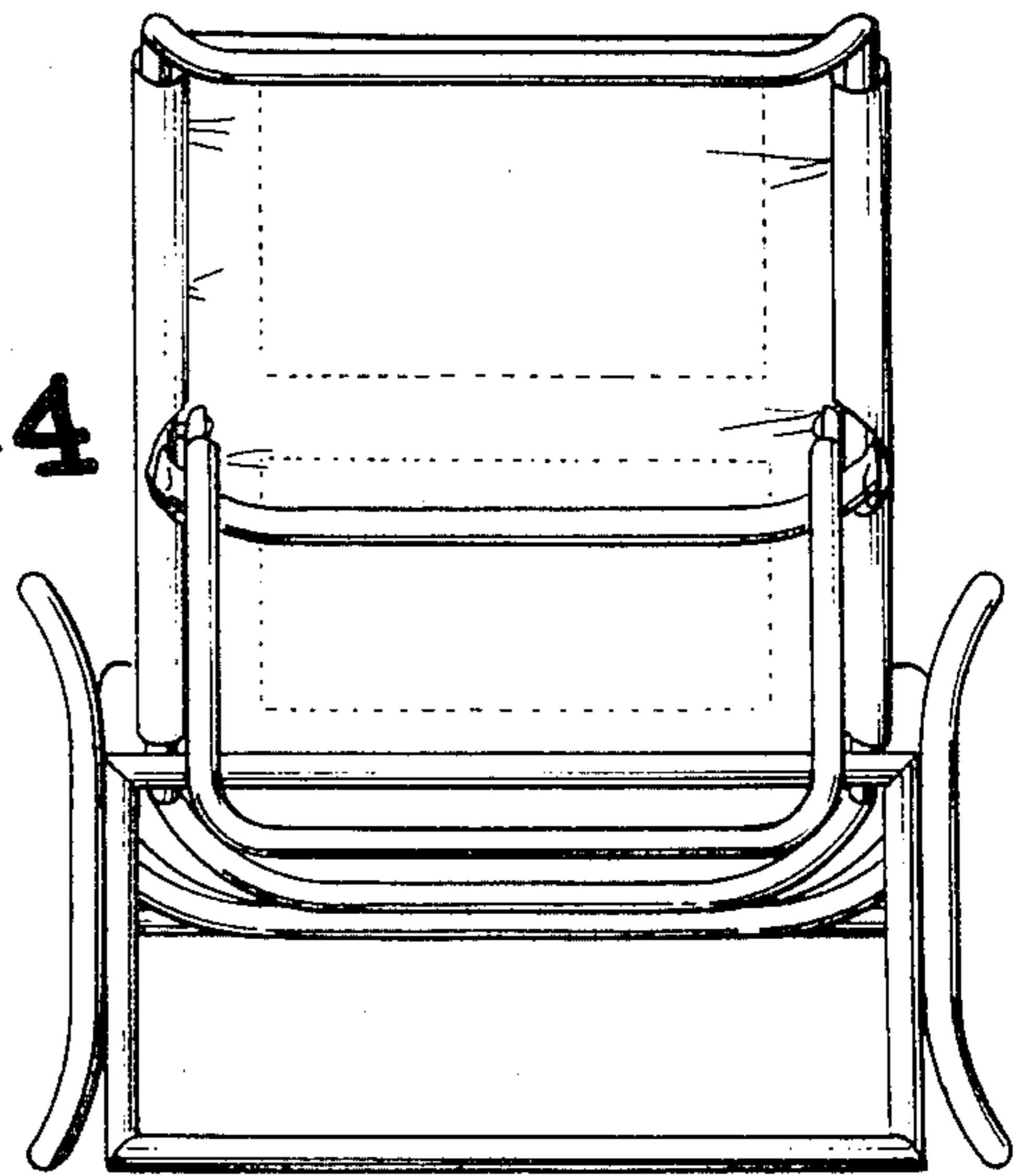


Fig-5

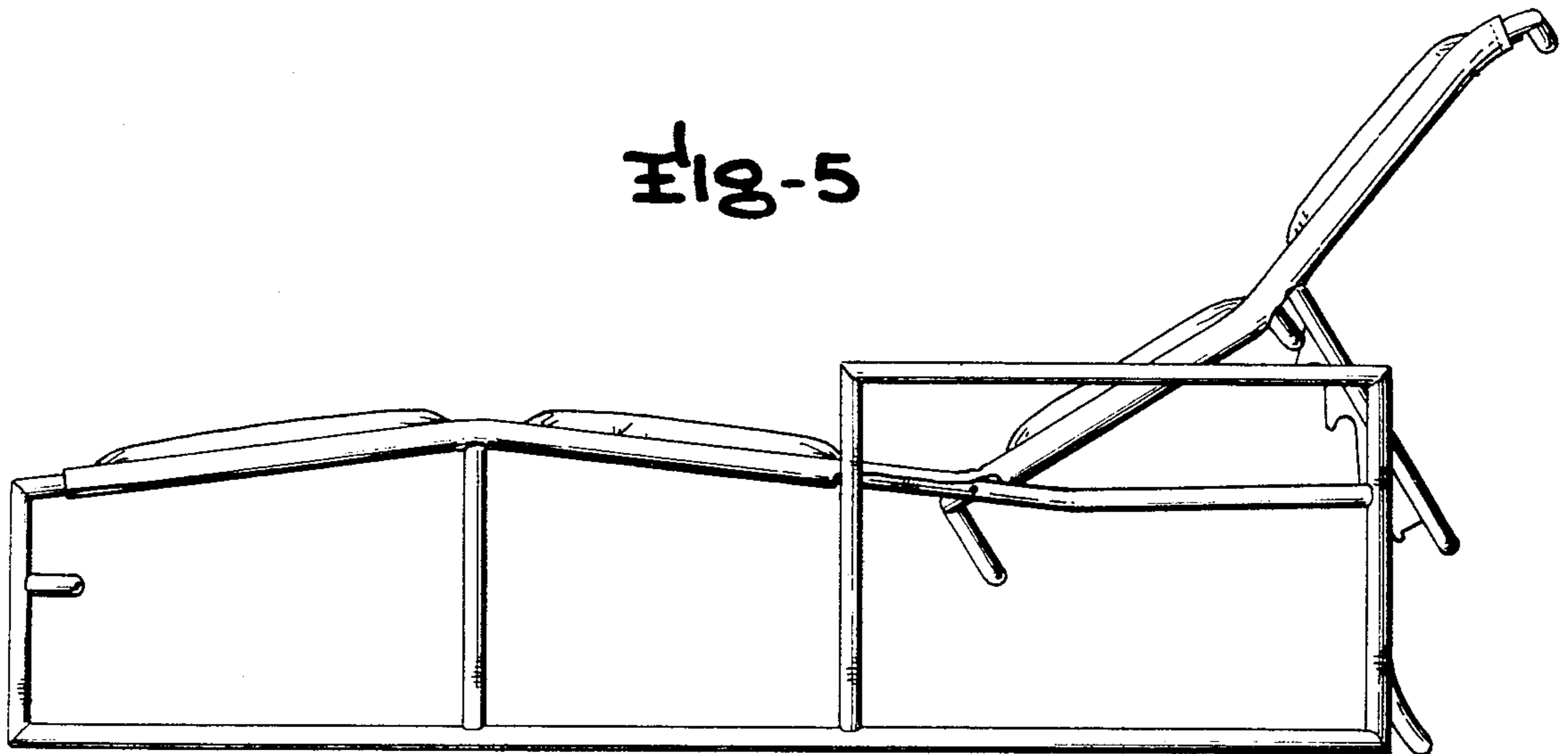


Fig-6

