

[54] DUAL-LENS DIVING MASK

[75] Inventor: Simon C. Fireman, Quincy, Mass.

[73] Assignee: Aqua-Leisure Industries, Inc., Avon, Mass.

[\*\*] Term: 14 Years

[21] Appl. No.: 429,285

[22] Filed: Sep. 30, 1982

**Related U.S. Application Data**

[63] Continuation of Ser. No. 413,738, Sep. 1, 1982, abandoned.

[52] U.S. Cl. .... D2/234

[58] Field of Search ..... D2/234; 2/427-447

[56] **References Cited  
PUBLICATIONS**

Skin Diver, Jan. 1978, p. 45, White Stag Super View Optical Diving Mask, #52691.

Skin Diver, Feb. 1980, p. 66, Sportsways Hydronaut Diving Mask, #1660.

*Primary Examiner*—Susan J. Lucas  
*Attorney, Agent, or Firm*—James E. Mrose

[57] **CLAIM**

The ornamental design for a dual-lens diving mask, substantially as shown.

**DESCRIPTION**

FIG. 1 is a perspective view of a dual-lens diving mask showing my new design;

FIG. 2 is a front elevational view thereof;

FIG. 3 is a top plan view thereof;

FIG. 4 is a bottom plan view thereof;

FIG. 5 is a rear elevational view thereof; and

FIG. 6 is a side elevational view thereof, looking toward the left side of the dual-lens diving mask as it appears in FIGS. 1, 2 and 3.

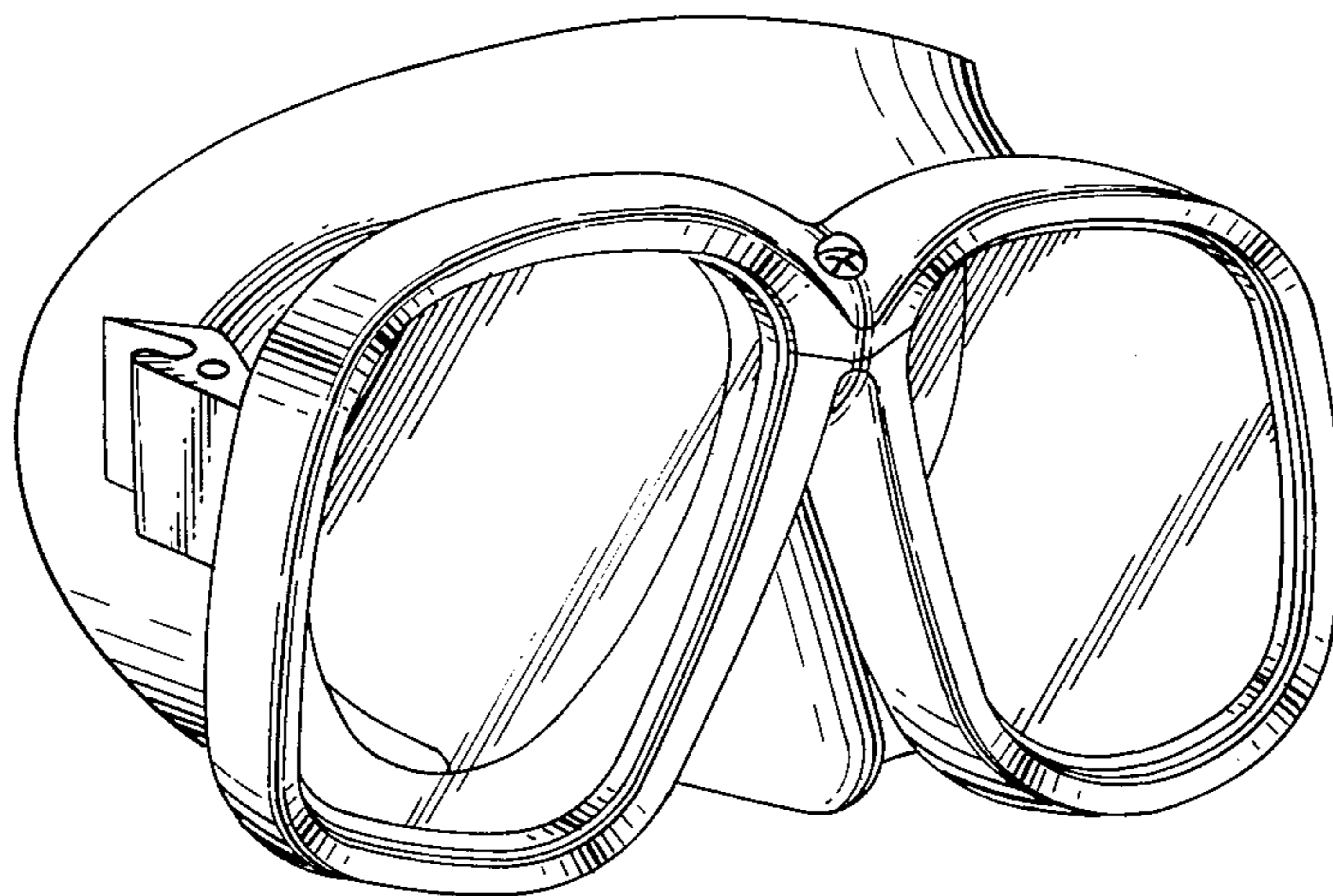


FIG. 1.

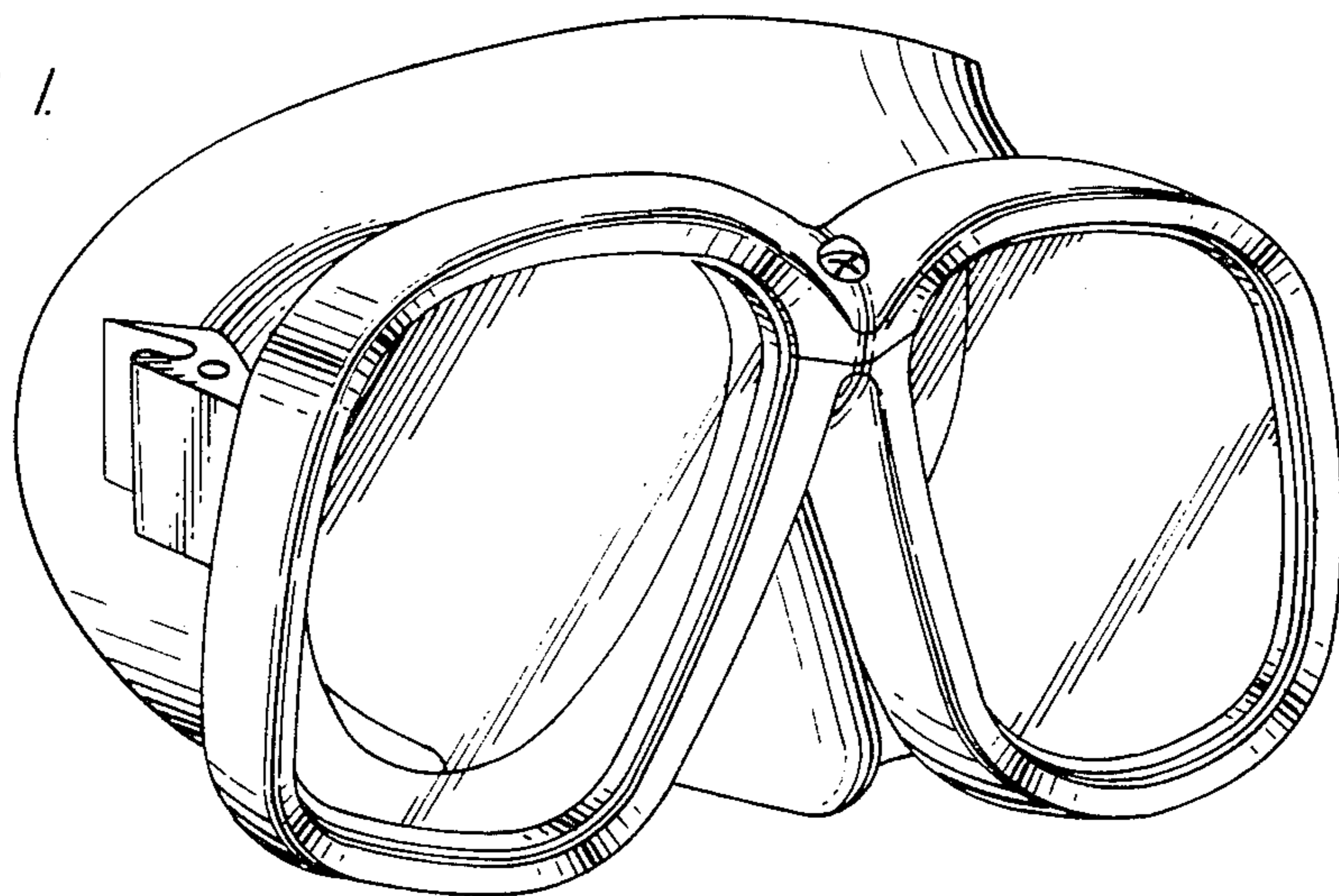


FIG. 2.

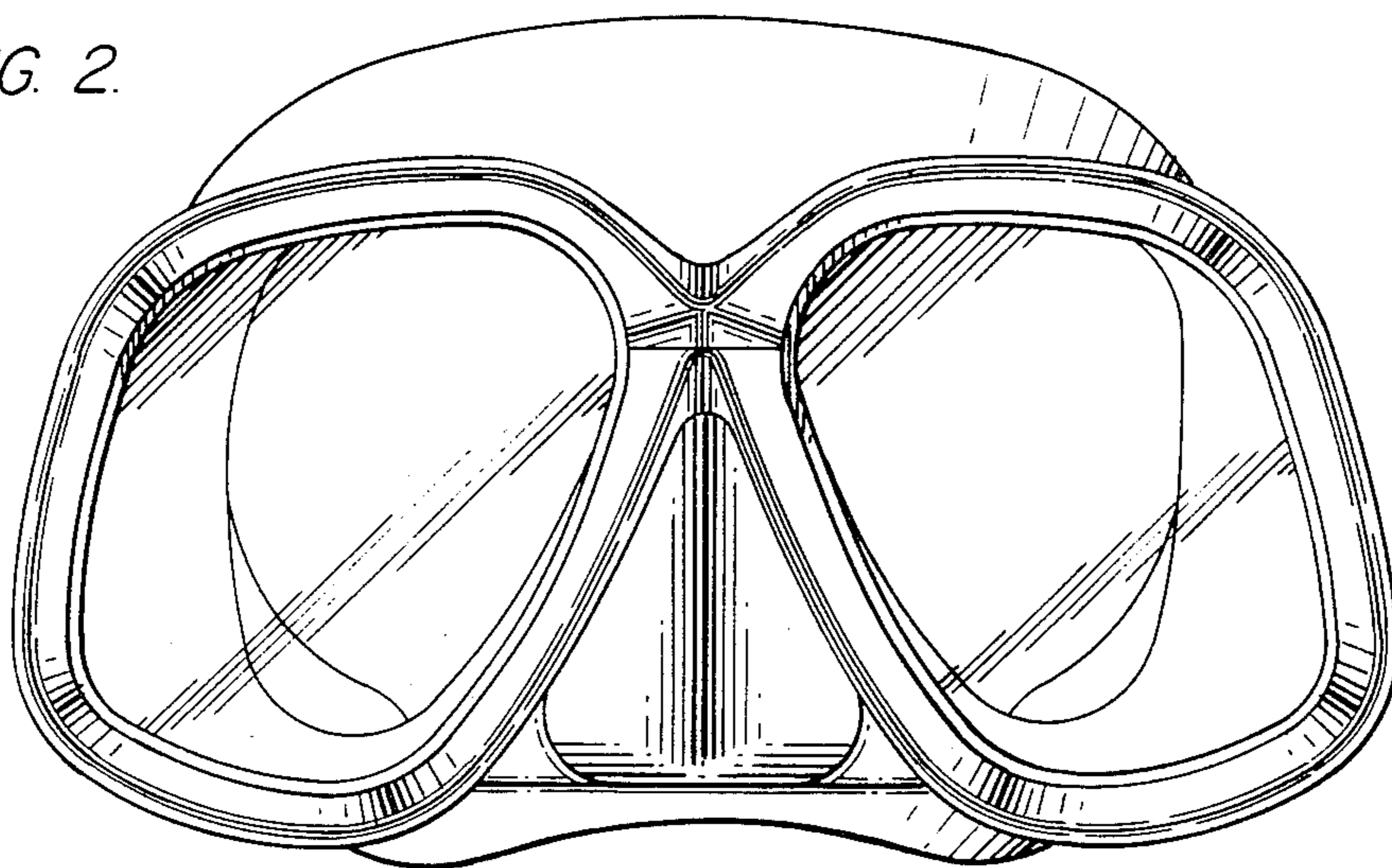


FIG. 3.

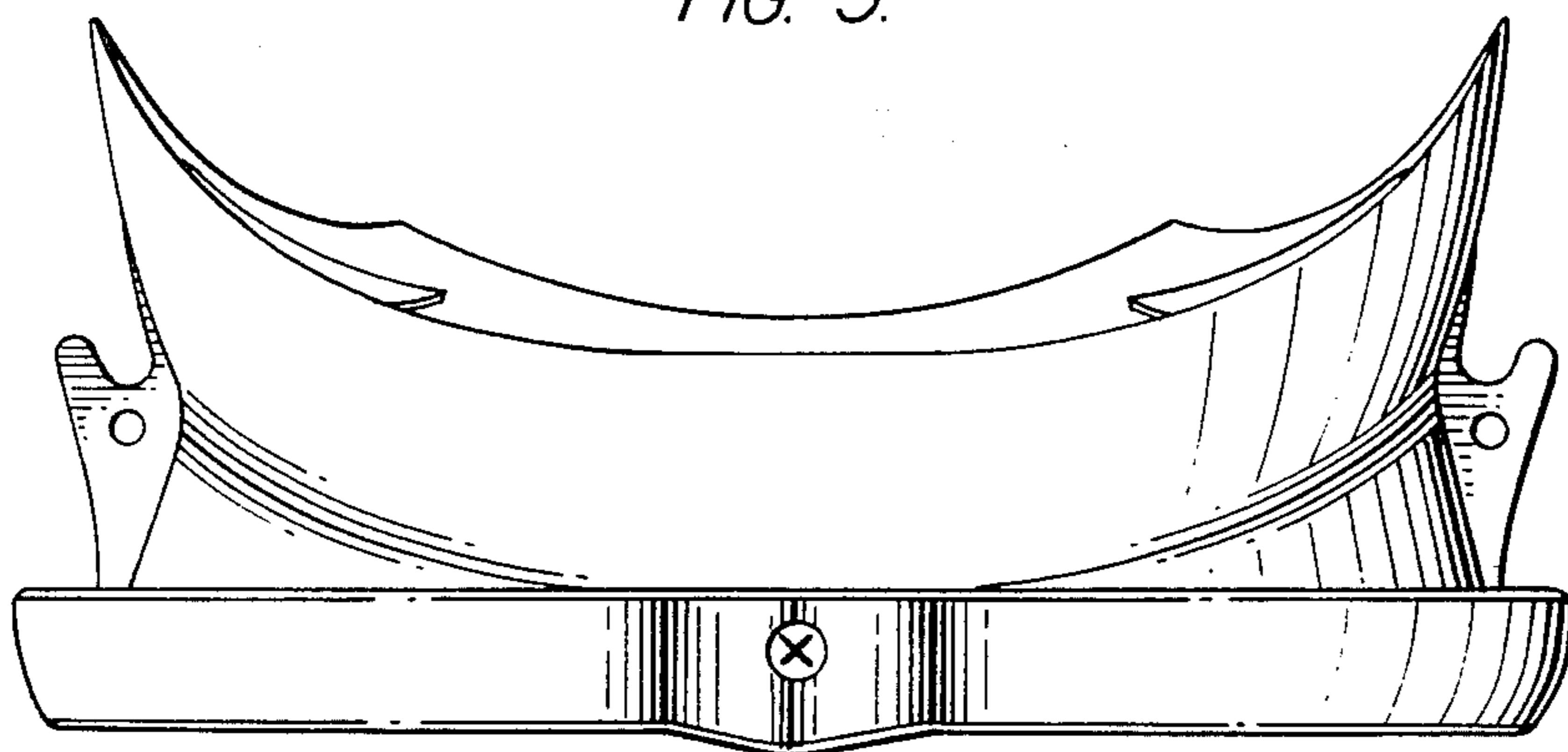


FIG. 4.

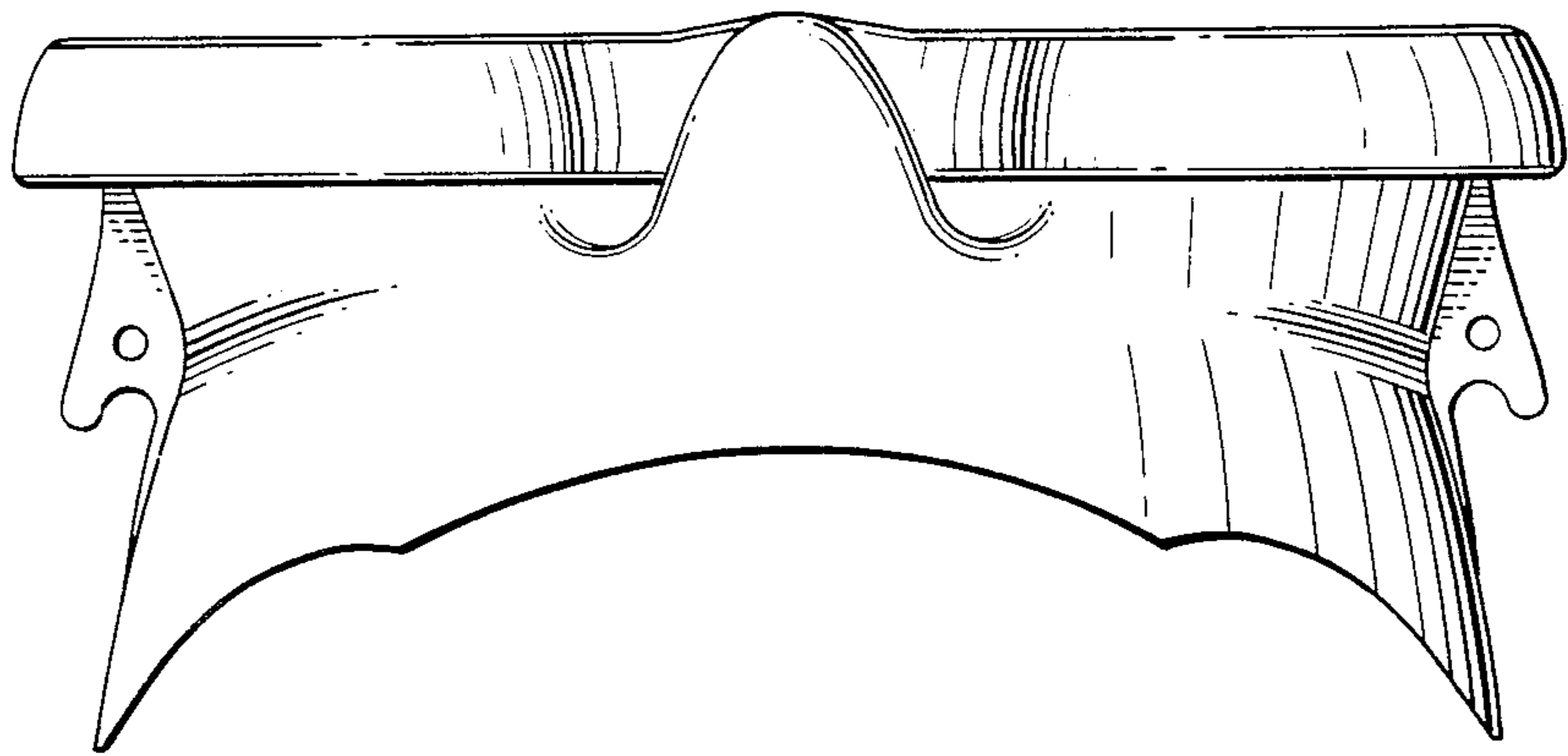


FIG. 5.

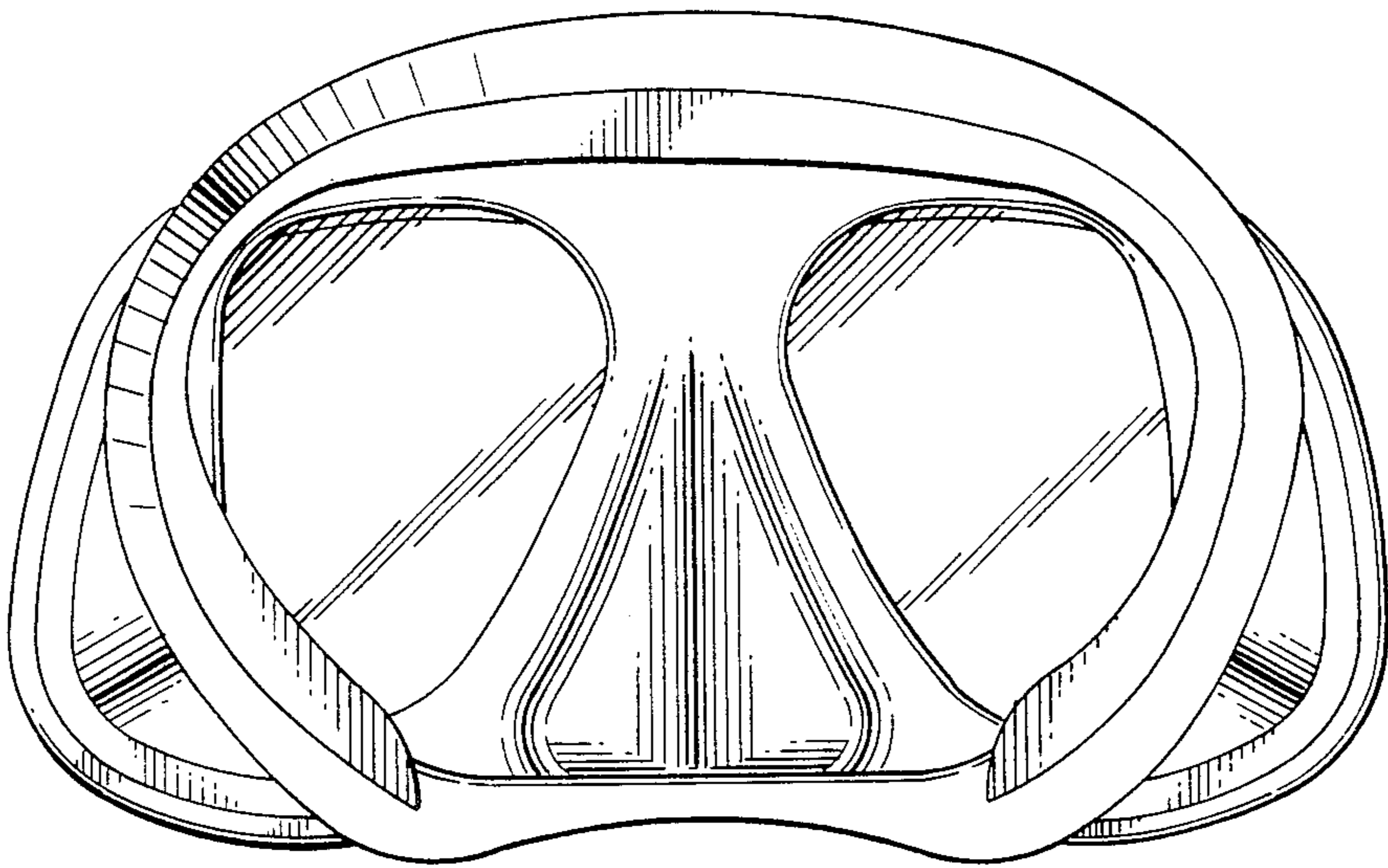


FIG. 6.

