

[54] COMBINED LAMP AND MAGNIFIER LENS

[75] Inventor: Boynton Selden, West Hartford, Conn.

[73] Assignee: Michele R., Trustee Selden, West Hartford, Conn.

[**] Term: 14 Years

[21] Appl. No.: 393,702

[22] Filed: Jun. 30, 1982

[52] U.S. Cl. D26/51; D16/135; D26/60; D26/62

[58] Field of Search D26/51, 60-66; 362/413, 418, 419, 427, 428, 282, 283, 284, 285; D16/135; 350/235, 236, 237

[56] References Cited

U.S. PATENT DOCUMENTS

| | | | | |
|------------|---------|-------------|-------|---------|
| D. 225,776 | 1/1973 | Siegel | | D16/135 |
| D. 229,231 | 11/1973 | Beeren | | D16/135 |
| 2,641,965 | 6/1953 | Valenza | | 350/235 |
| 3,936,156 | 2/1976 | Shaw et al. | | 350/235 |

FOREIGN PATENT DOCUMENTS

| | | | | |
|---------|---------|--------|-------|---------|
| 1153688 | 10/1957 | France | | 350/236 |
|---------|---------|--------|-------|---------|

OTHER PUBLICATIONS

Electrical Equipment, 5-1963, p. 20, Magnifier Lamp.

Lamp Journal, 5-1965, p. 26, Prestige Line Inc. High-Intensity Desk Lamp. Office Products Dealer, 9-1980, p.84, Roxter Corp. Clip-On Lamp.

Primary Examiner—Susan J. Lucas

[57] CLAIM

The ornamental design for a combined lamp and magnifier lens, as shown and described.

DESCRIPTION

FIG. 1 is a side elevational view of a gooseneck lamp and gooseneck magnifier lens assembly showing my new design with the clamp shown in partially open position;

FIG. 2 is a top elevational view thereof;

FIG. 3 is a bottom view thereof;

FIG. 4 is a front elevational view thereof;

FIG. 5 is a rear elevational view thereof;

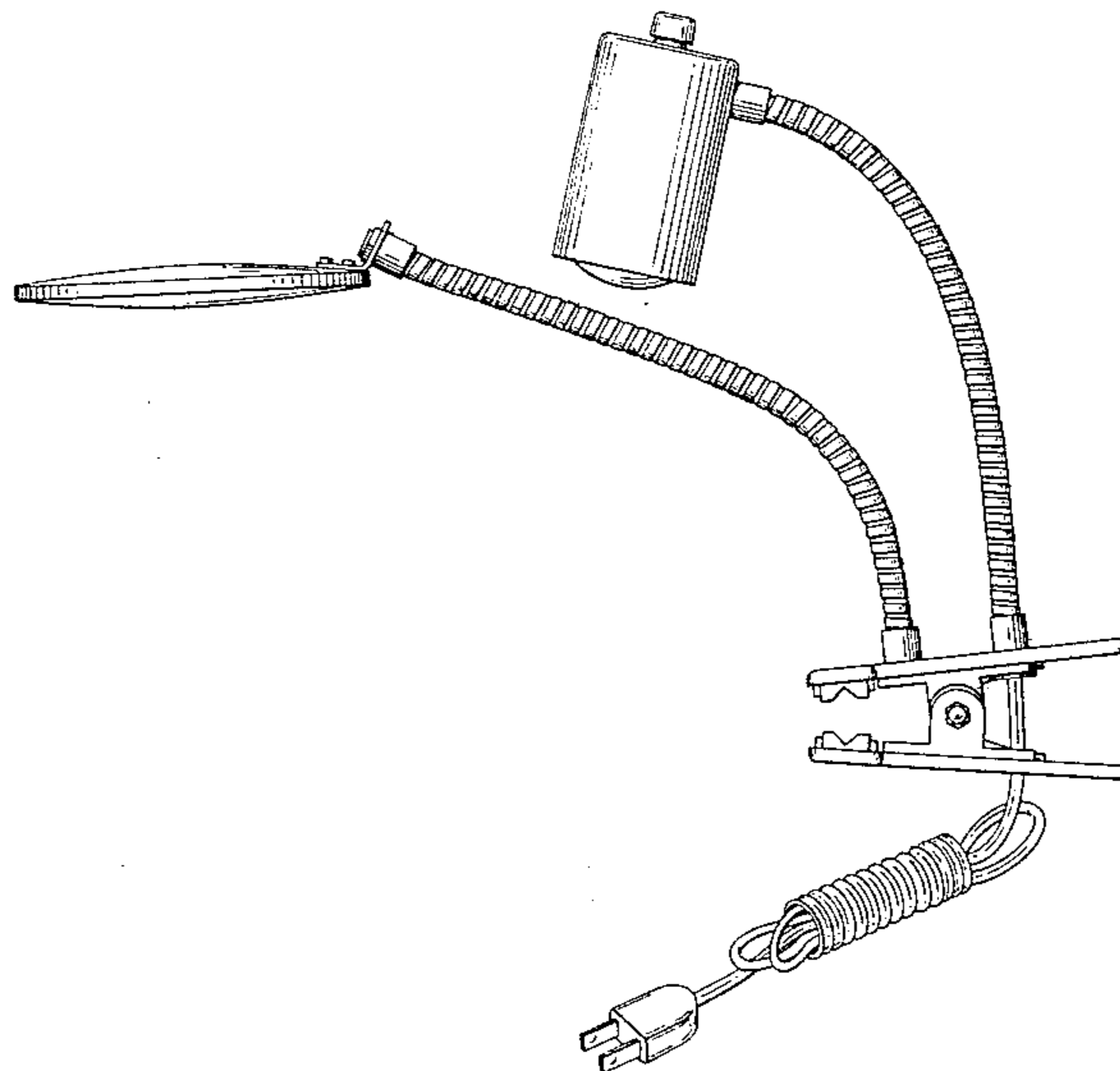
FIG. 6 is a side elevational view of another embodiment of the assembly of my new design utilizing a modified clamp and bracket subassembly, with the clamp shown in partially open position;

FIG. 7 is a top elevational view thereof;

FIG. 8 is a bottom view thereof;

FIG. 9 is a front elevational view thereof with the goosenecks shown partially in phantom line and with the cord fragmentarily illustrated; and

FIG. 10 is a rear elevational view thereof.



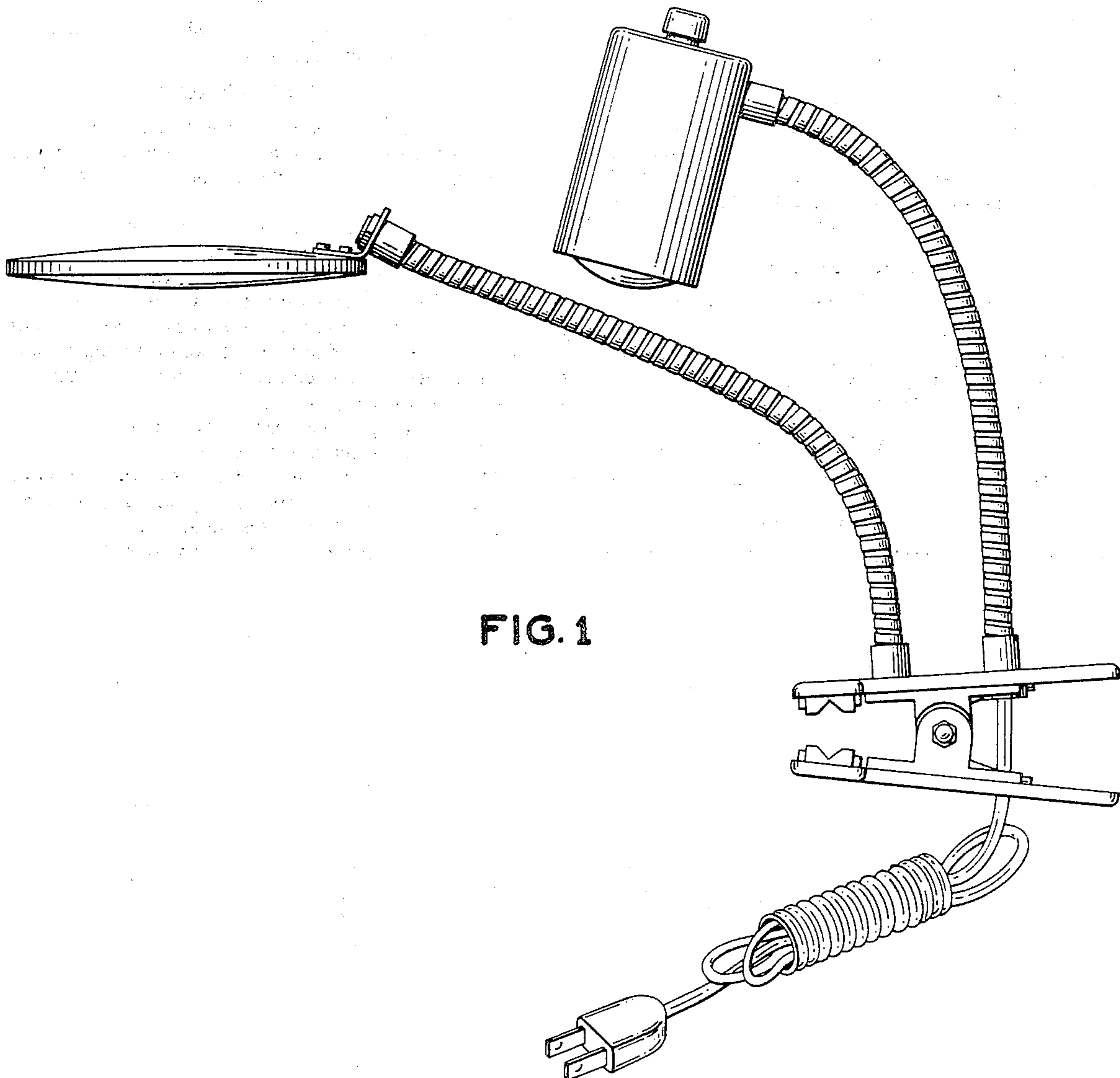


FIG. 1

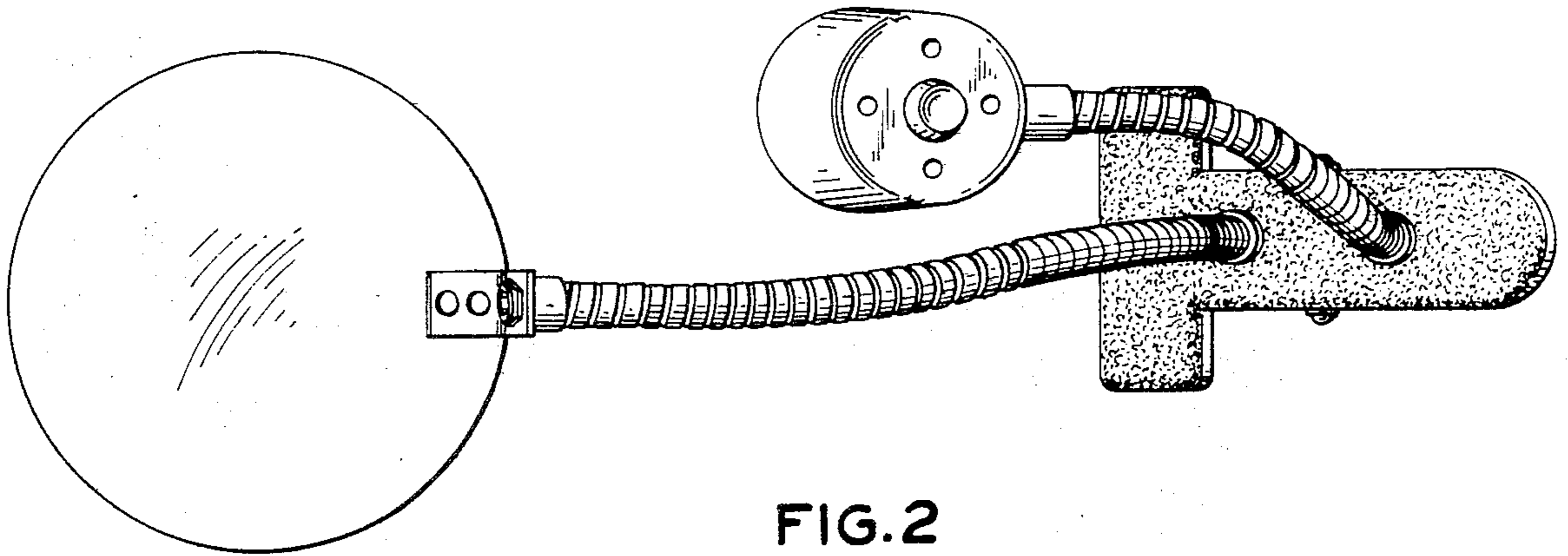


FIG. 2

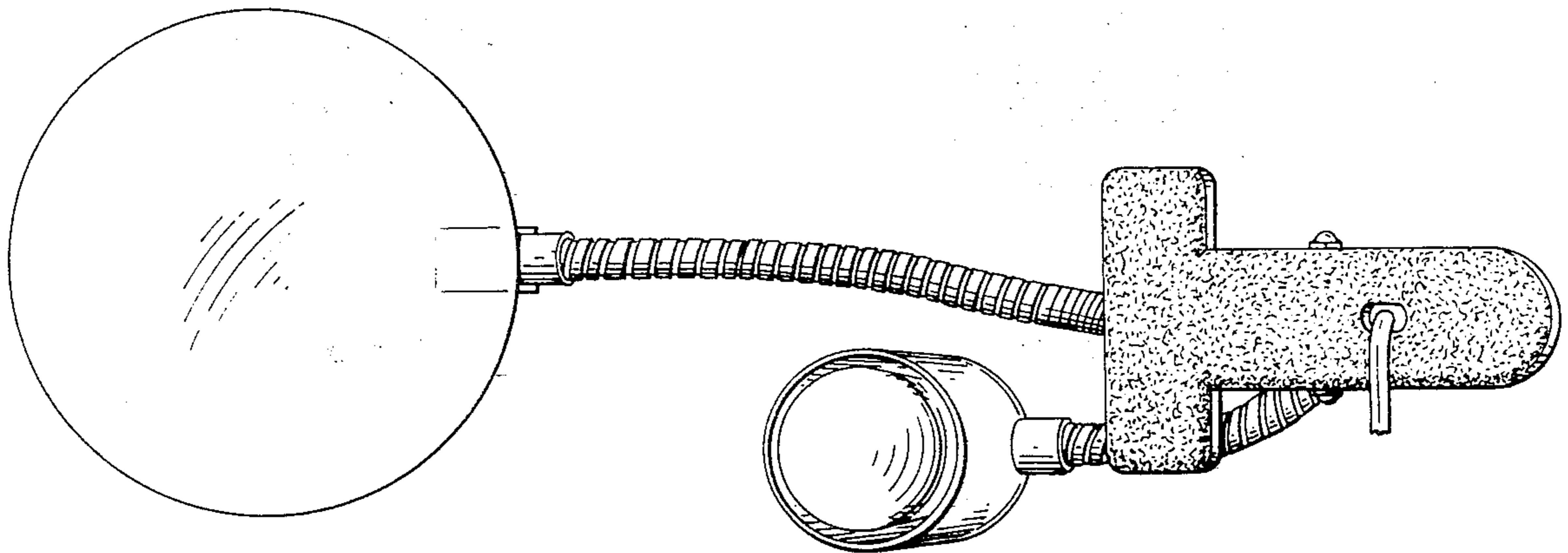


FIG. 3

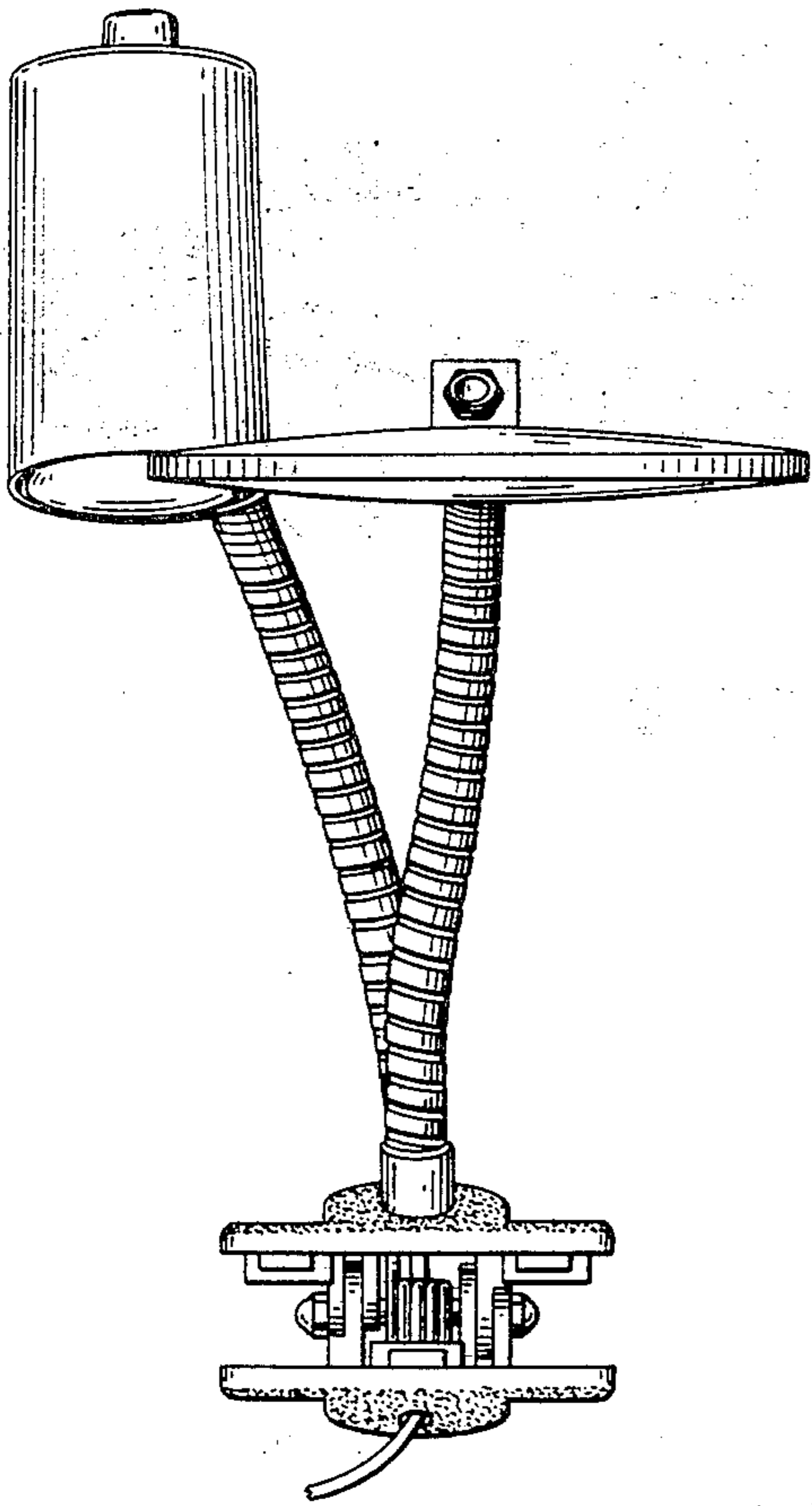


FIG. 4

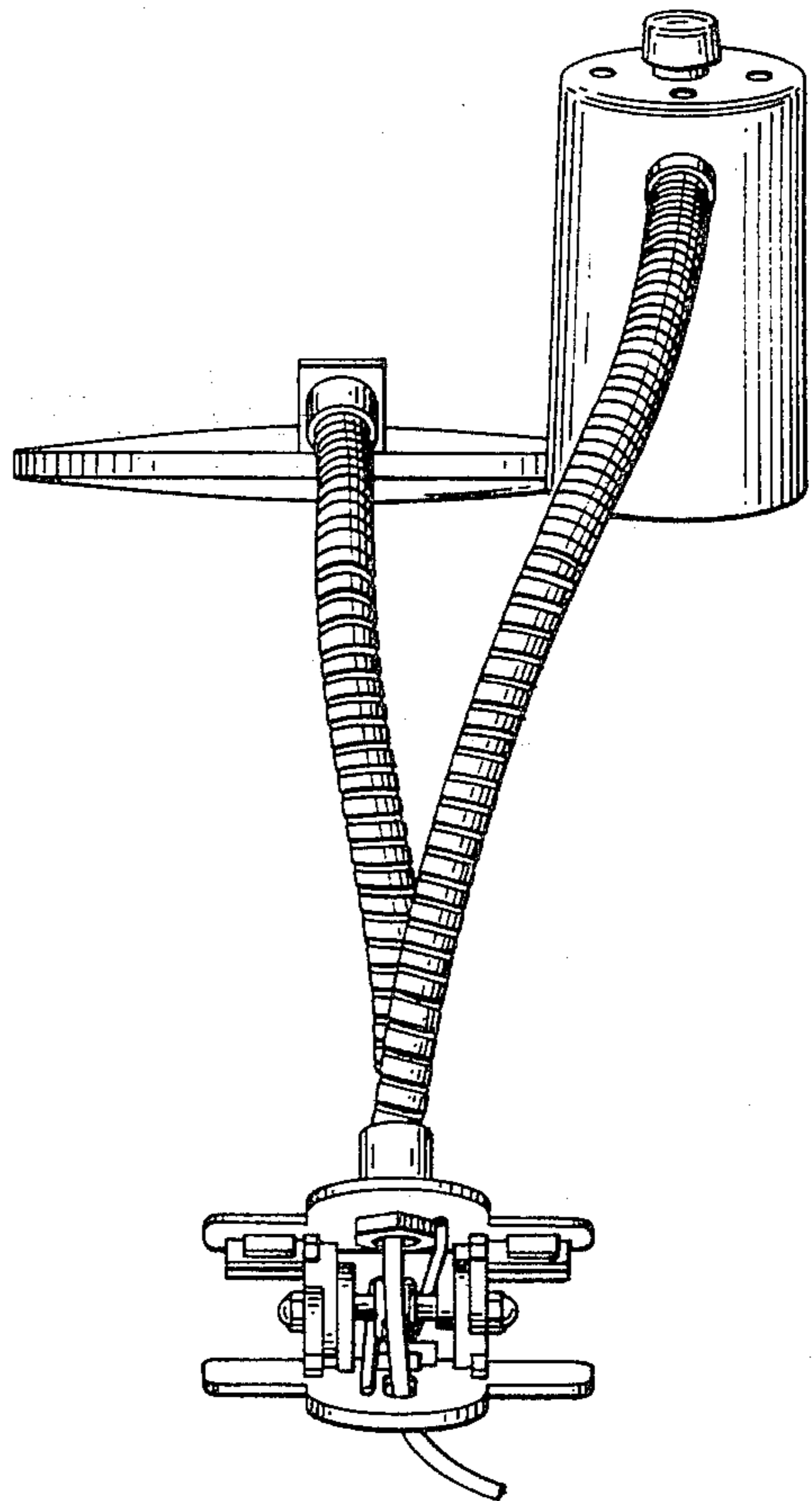


FIG. 5

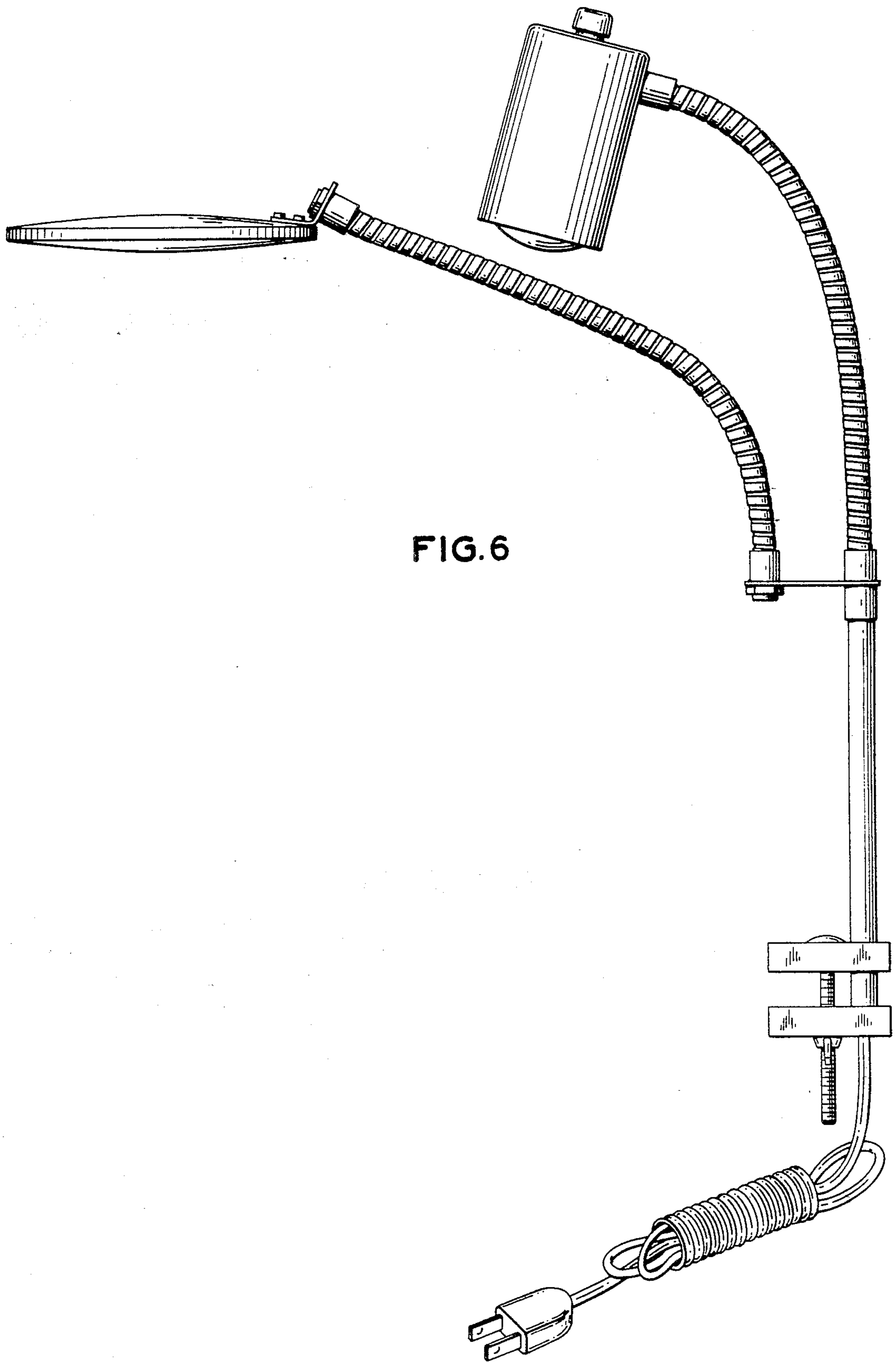
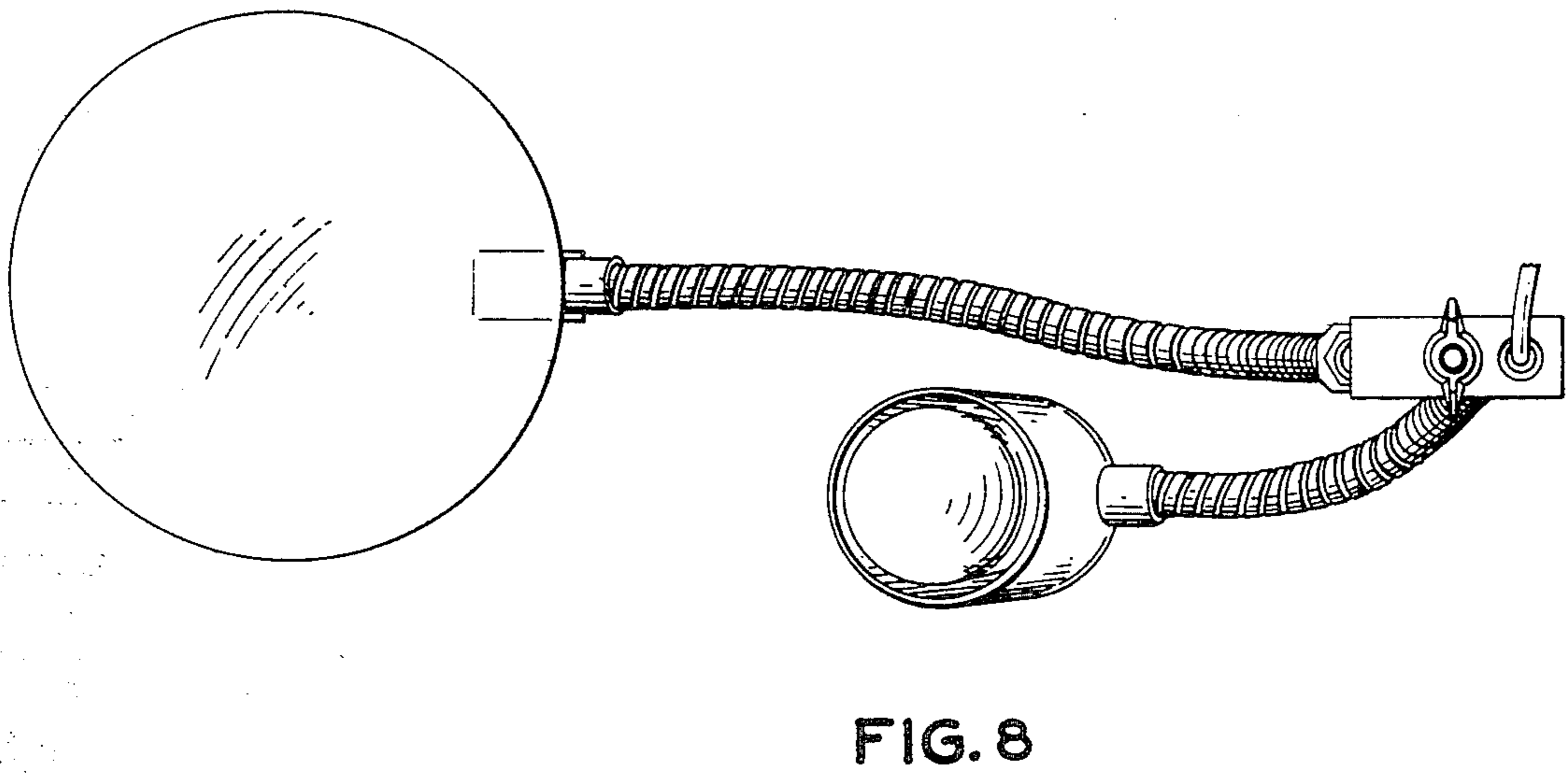
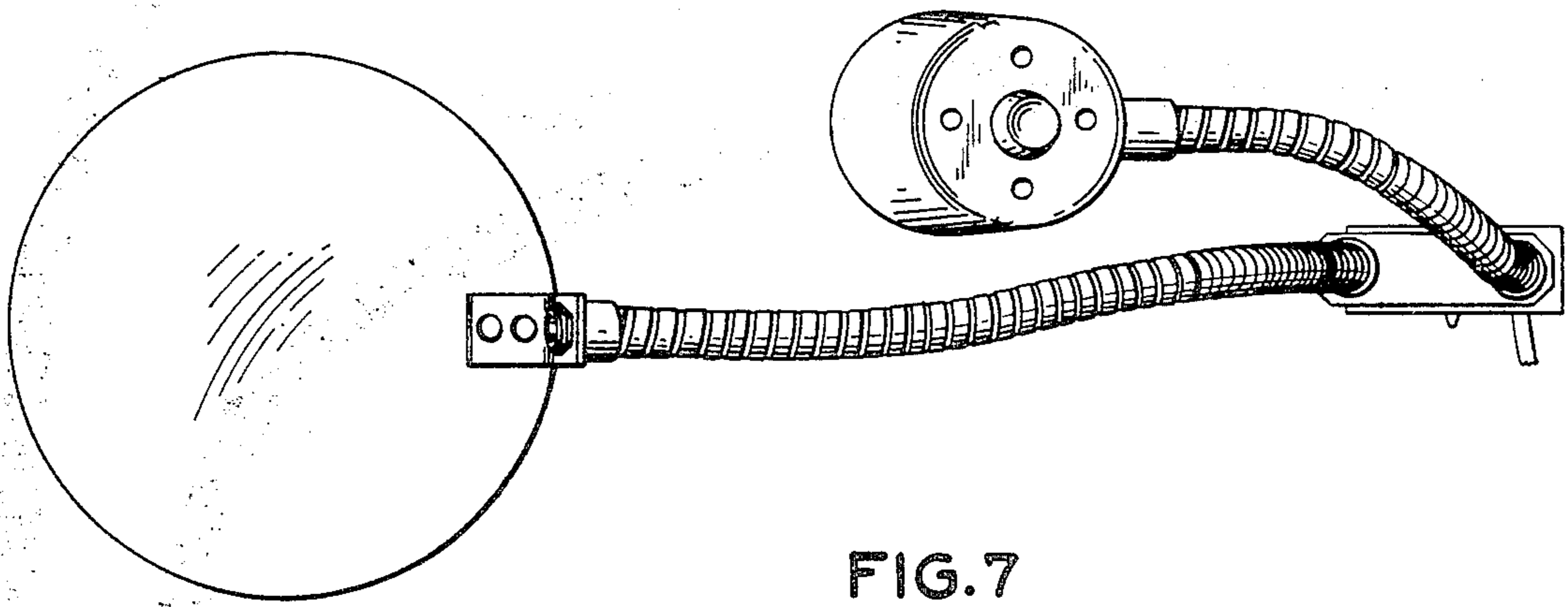


FIG. 6



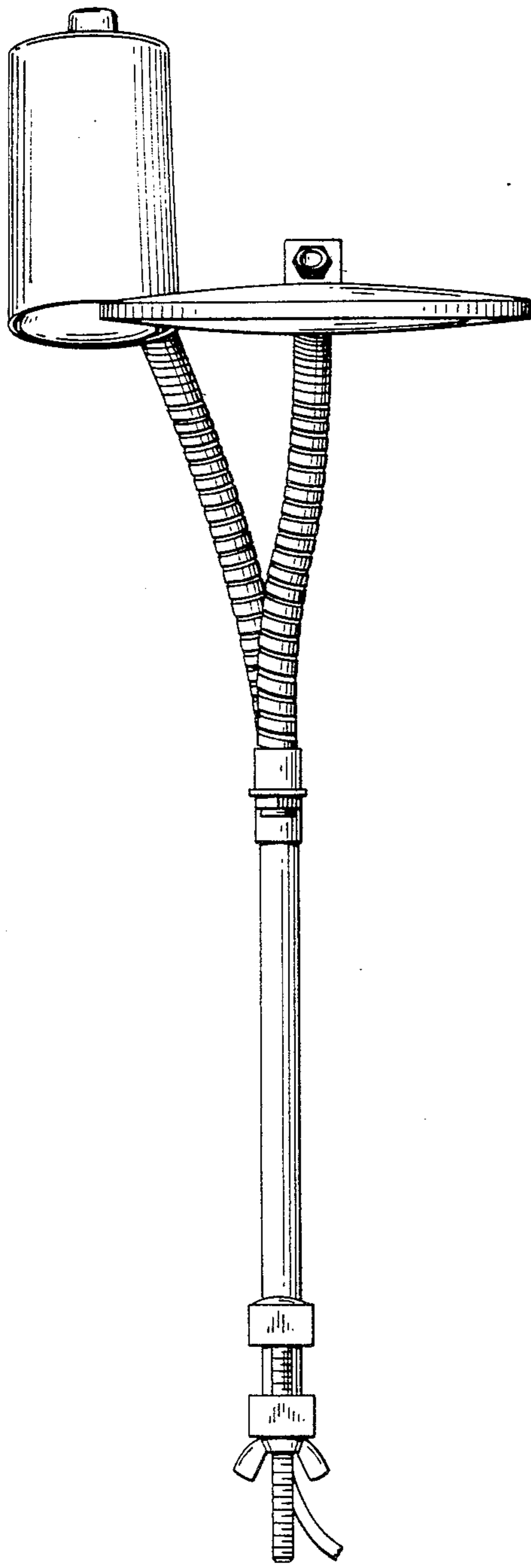


FIG. 9

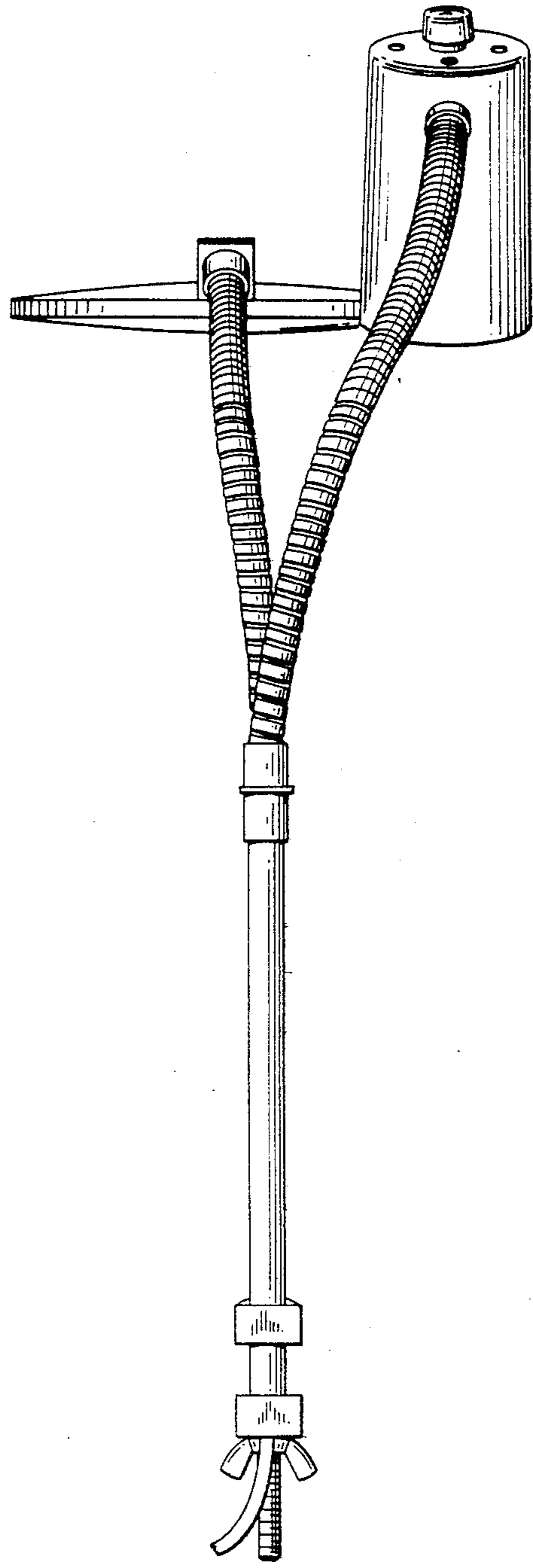


FIG. 10