

[54] BUILDING STRUCTURE

[76] Inventor: Joseph P. Rutherford, 3203
Rocks-Chrome Hill Rd.,
Jarrettsville, Md. 21084

[**] Term: 14 Years

[21] Appl. No.: 413,782

[22] Filed: Sep. 1, 1982

Related U.S. Application Data

[63] Continuation-in-part of Ser. No. 154,085, May 28,
1980, abandoned.

[52] U.S. Cl. D25/23; D25/31;
D25/32

[58] Field of Search D25/22, 23, 31, 32;
52/236.1, 82, 65, 237

[56] References Cited

U.S. PATENT DOCUMENTS

- D. 133,418 8/1942 Norquist D25/31 X
- 3,068,534 12/1962 Hu D25/23 X
- 3,815,298 6/1974 Pope D25/31 X

- 3,827,200 8/1974 Preissler D25/32 X
- 3,921,354 11/1975 Connelly et al. D25/32 X
- 4,015,381 4/1977 Schmidt D25/23 X
- 4,332,116 6/1982 Buchanan 52/236.1 X

FOREIGN PATENT DOCUMENTS

- 644752 9/1962 Italy D25/23

OTHER PUBLICATIONS

Naturally Rondesics Brochure by Rondesics Homes Corp., pp. 8 and 9, RH-13 layout.

Primary Examiner—A. Hugo Word
Attorney, Agent, or Firm—Morton J. Rosenberg

[57] CLAIM

The ornamental design for a building structure, as shown and described.

DESCRIPTION

FIG. 1 is a top view of my building structure;
FIG. 2 is a cross-sectional view showing the interior of my building structure;
FIG. 3 is a rear view thereof;
FIG. 4 is a frontal view thereof; and,
FIG. 5 is a bottom view thereof.

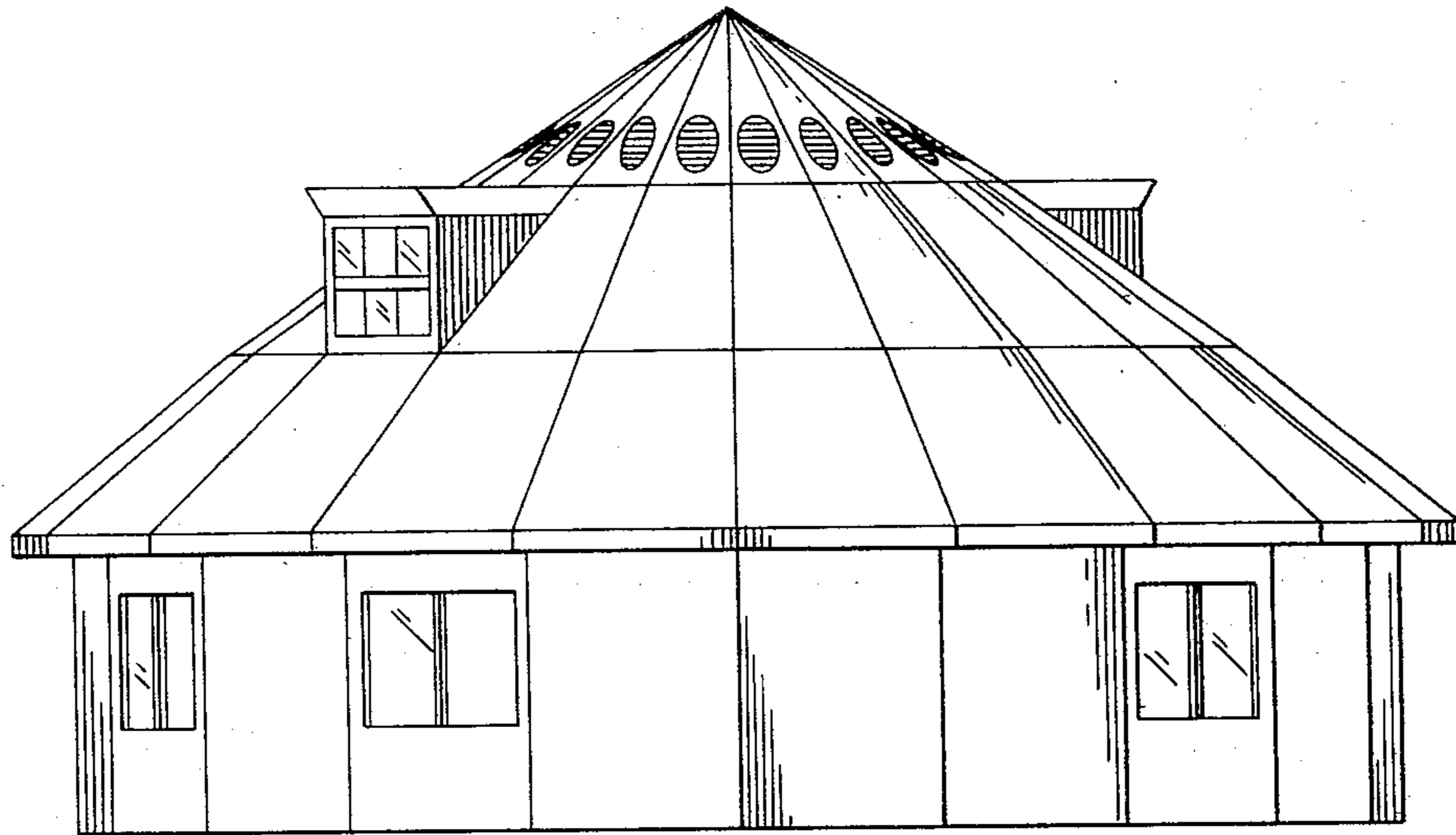


FIG. 1

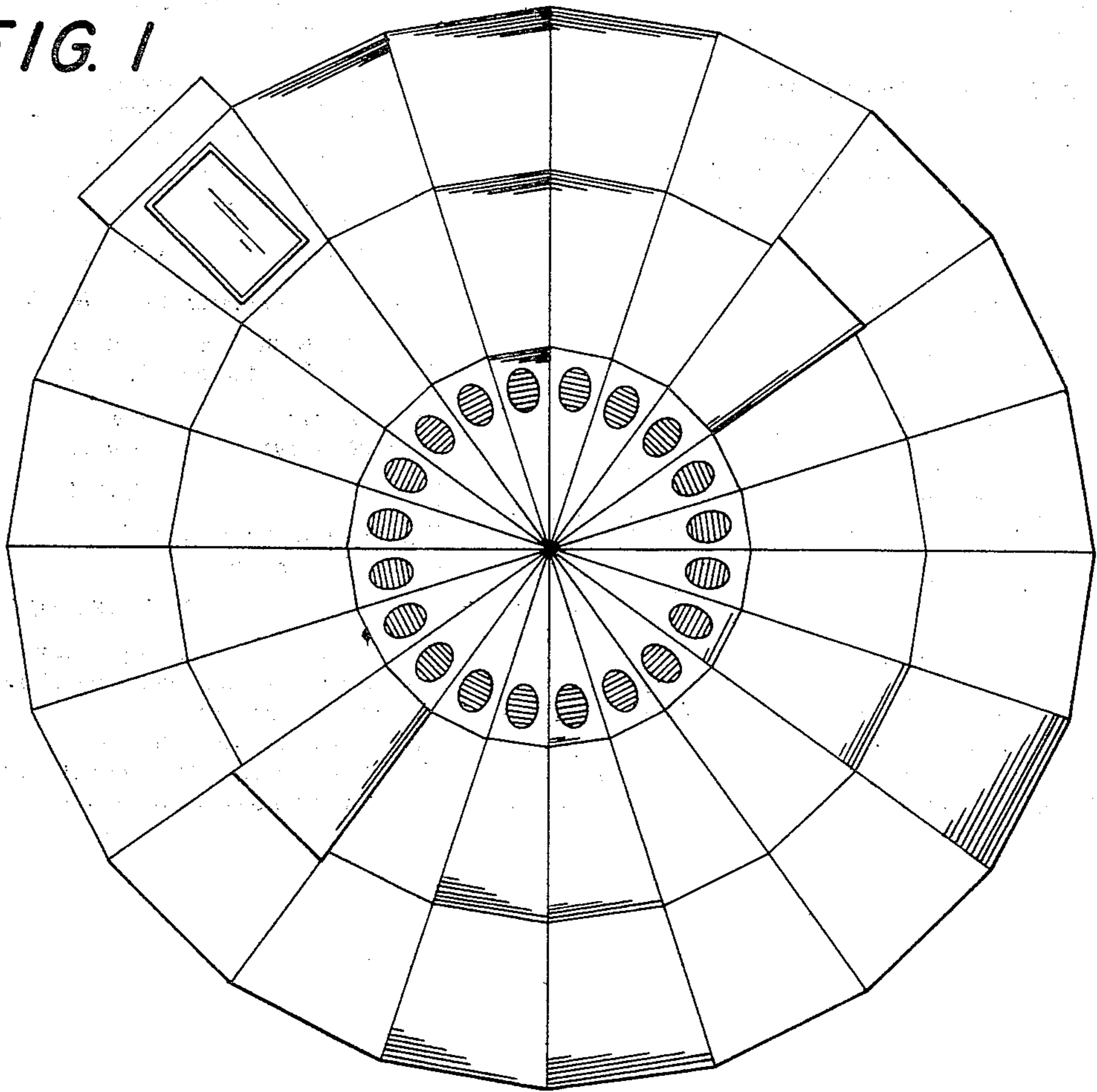


FIG. 3

