

[54] THEATRE STRUCTURE

[76] Inventor: Helen B. English, P.O. Box 571, San Fernando, Calif. 91341

[**] Term: 14 Years

[21] Appl. No.: 447,182

[22] Filed: Dec. 6, 1982

[52] U.S. Cl. D25/7; D25/1; D25/26

[58] Field of Search D25/1, 7, 22, 23, 26, D25/29, 12; 52/6

[56] References Cited

U.S. PATENT DOCUMENTS

- D. 105,823 8/1937 Olson D25/7 X
- D. 135,861 6/1943 Jarman D25/7

- D. 197,596 3/1964 Beigh D25/7 X
- D. 206,707 1/1967 Smith D25/26

Primary Examiner—A. Hugo Word
Attorney, Agent, or Firm—Roger A. Marrs

[57] CLAIM

The ornamental design for a theatre structure, substantially as shown and described.

DESCRIPTION

FIG. 1 is a perspective view showing my new design for a theatre structure;
 FIG. 2 is a side elevational view thereof;
 FIG. 3 is a side elevational view thereof having a cover portion broken away to show the structure immediately therebehind;
 FIG. 4 is a transverse cross-sectional view thereof taken in the direction of arrows 4—4 of FIG. 3.

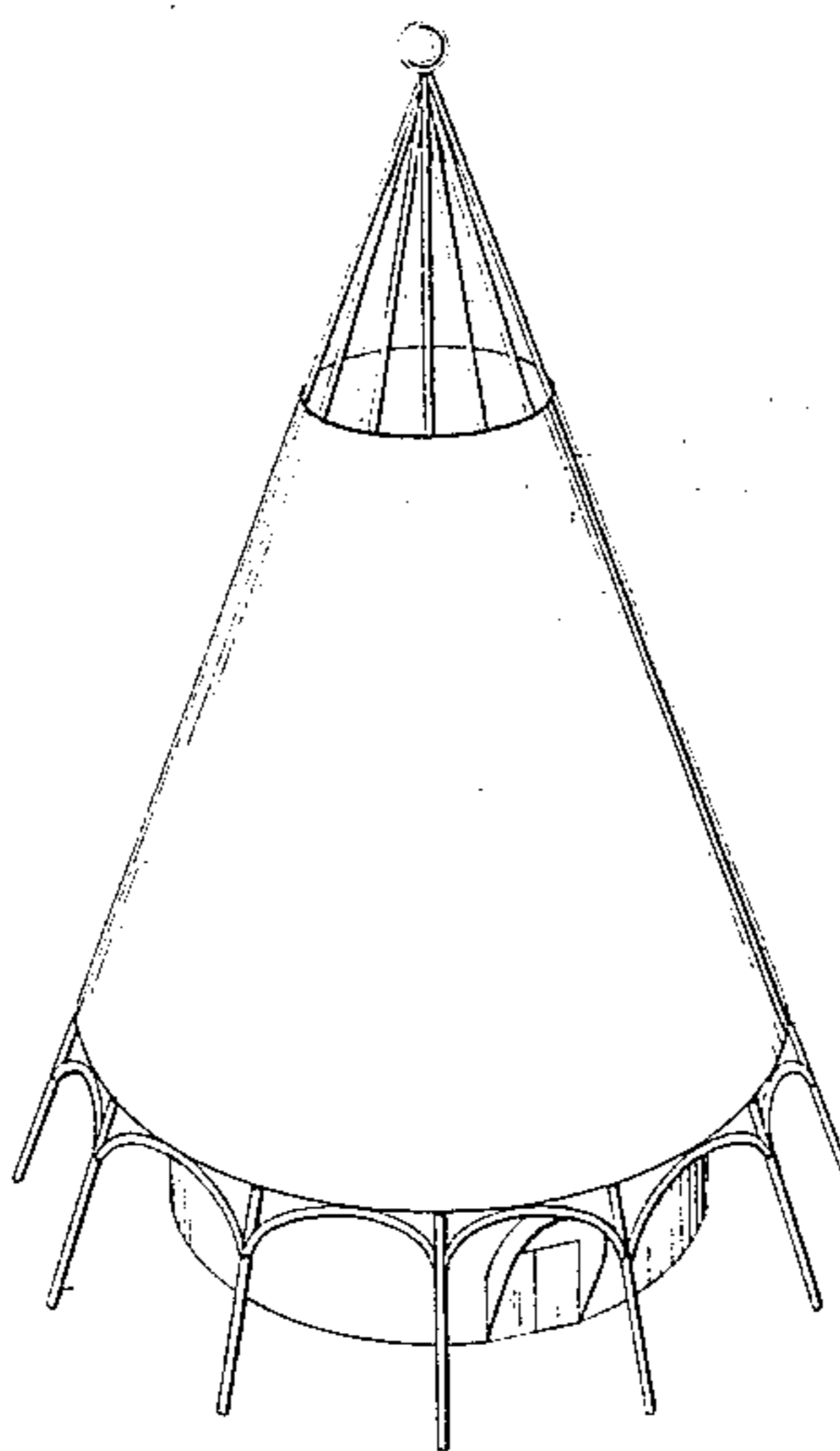


FIG. 1

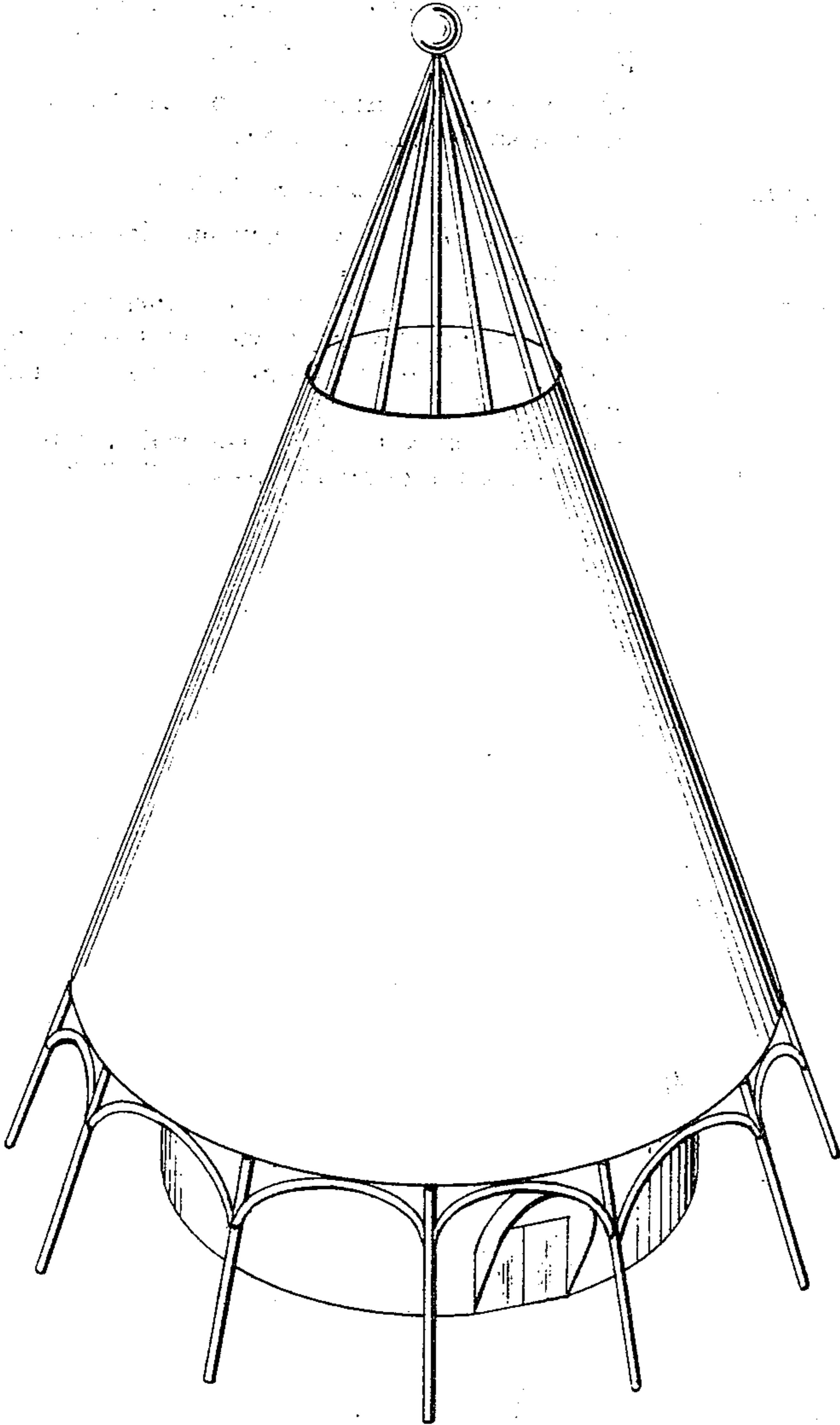


FIG. 2

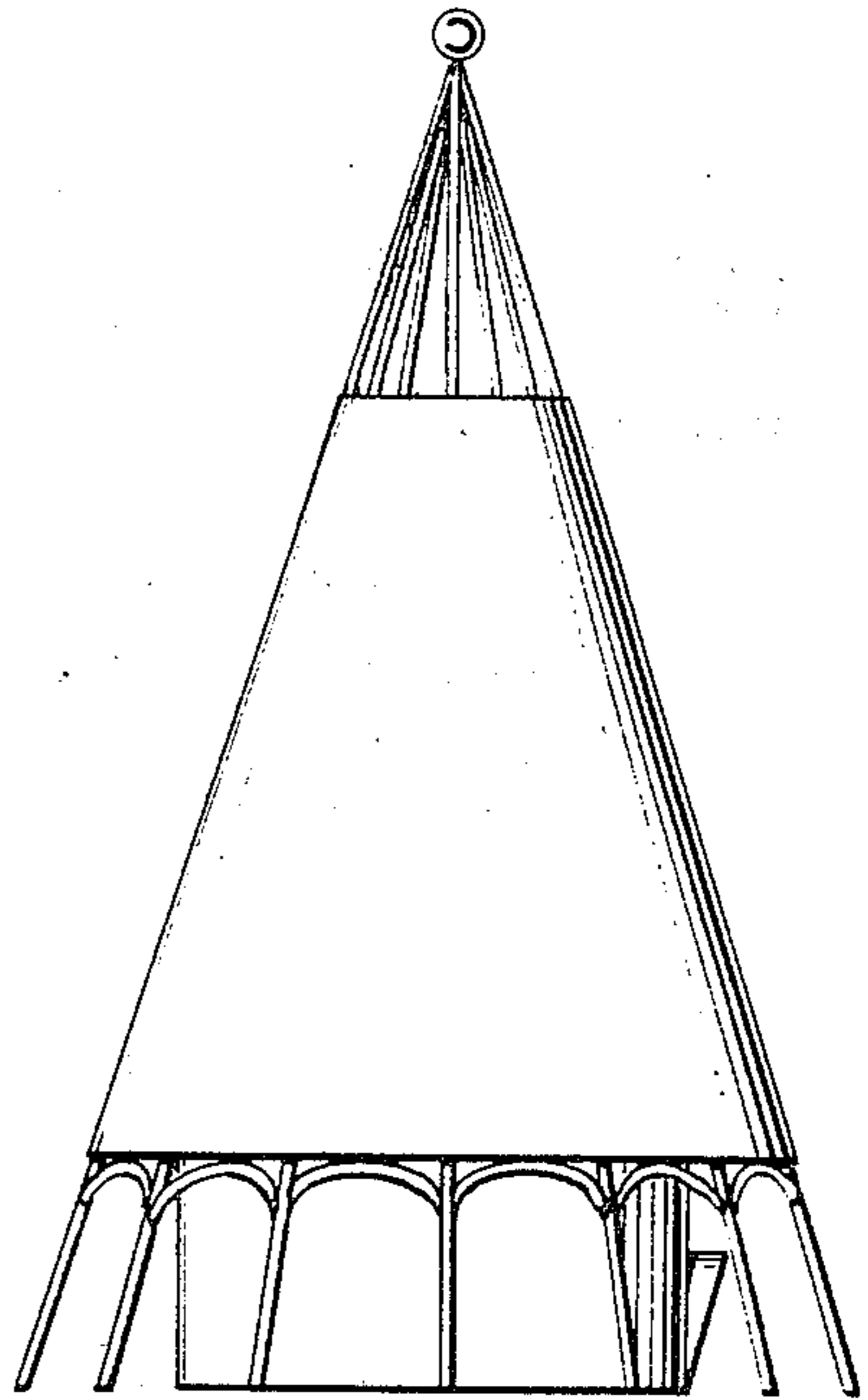


FIG. 3

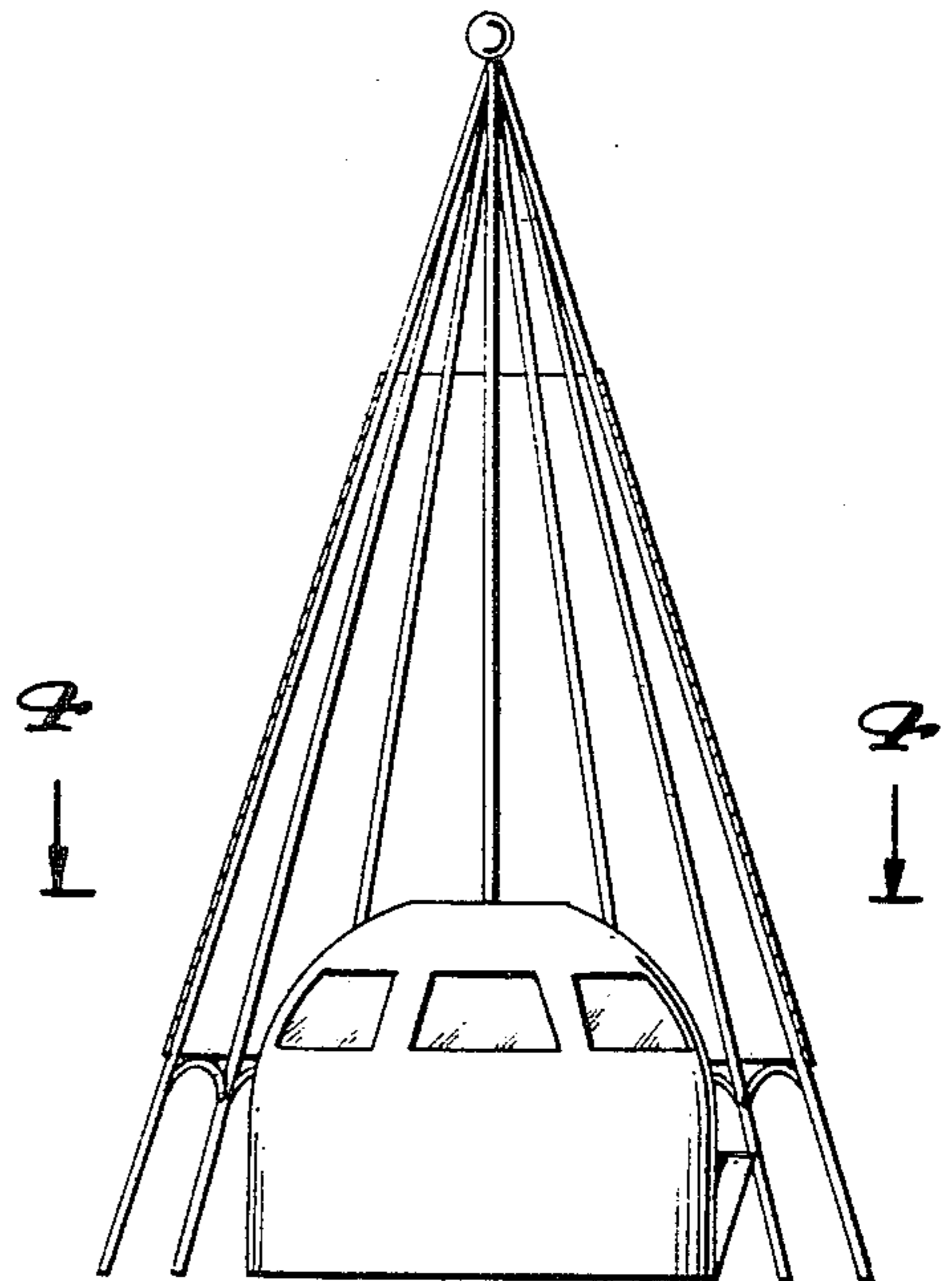


FIG. 4

