

[54] HEATER

[75] Inventor: Henri Bastien, Couvin, Belgium

[73] Assignee: Société Anonyme Fonderies du Lion, Frasnés les Couvin, Belgium

[**] Term: 14 Years

[21] Appl. No.: 225,300

[22] Filed: Jan. 15, 1981

[30] Foreign Application Priority Data

Jul. 16, 1980 [XB] Benelux 54855

[52] U.S. Cl. D23/97

[58] Field of Search D23/92-97; 126/4, 6, 58, 60-66, 120, 121, 123, 126, 128

[56] References Cited

PUBLICATIONS

Home Energy Digest & Wood Burning Quarterly—Fall 1980, p. 13—Franco Belge Stove Model 10-475; and p. 65—Deville Stove Model 7771T.

Home Energy Digest & Wood-Burning Quarterly—Winter 1977—p. 121—Efel Stove.

Primary Examiner—Catherine E. Kemper
Attorney, Agent, or Firm—Martin A. Farber

[57] CLAIM

The ornamental design for a heater, as shown and described.

DESCRIPTION

FIG. 1 is a right front perspective view of a heater, showing my new design;

FIG. 2 is a rear perspective view thereof;

FIG. 3 is a front perspective view with the front panel in place;

FIG. 4 is a front perspective view of the heater with the side door opened;

FIG. 5 is a front perspective view of the heater with the top grate raised;

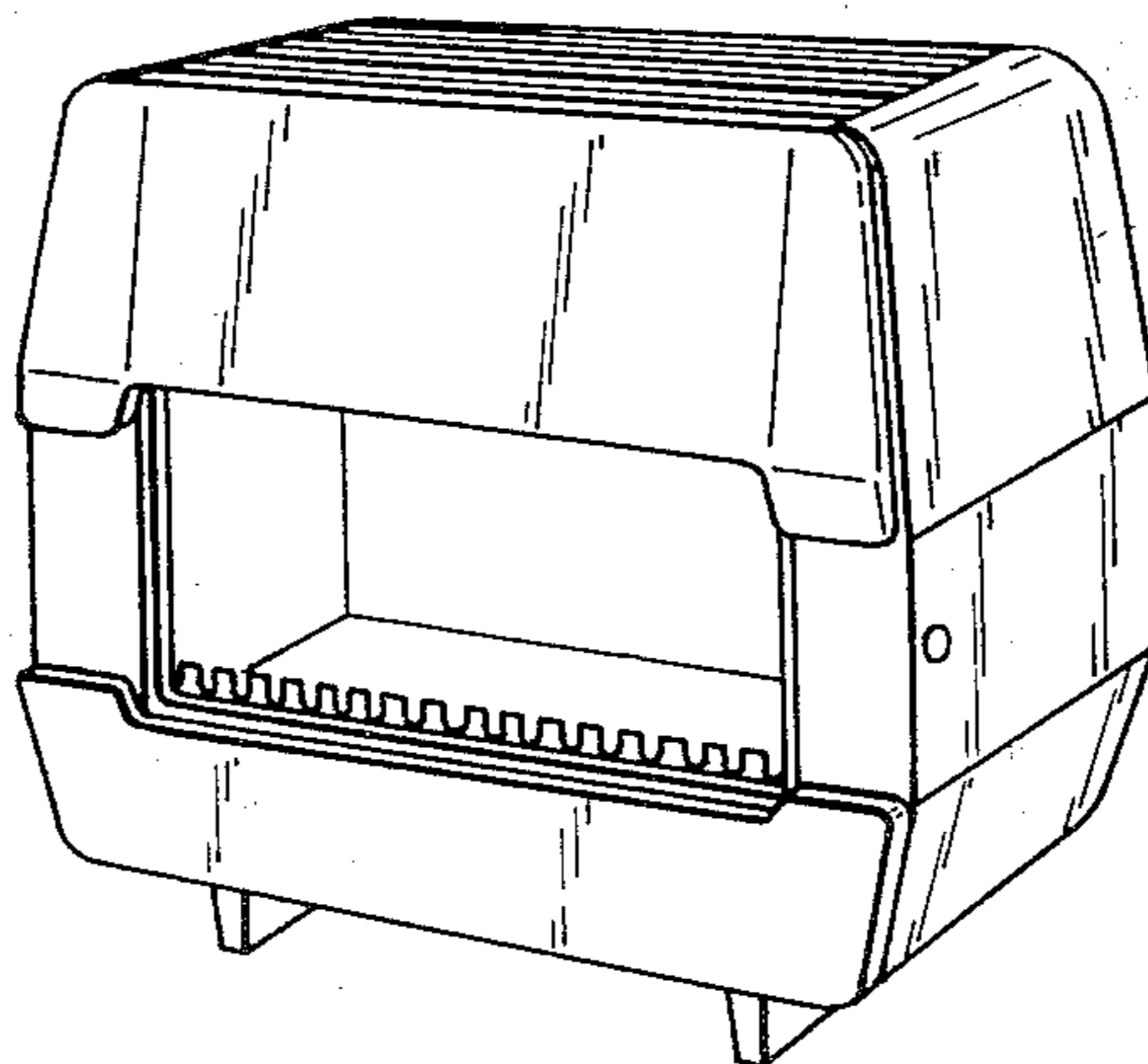
FIG. 6 is a front perspective view of the heater with the lower panel swung down;

FIG. 7 is a front perspective view of the heater with the upper front panel swung open;

FIG. 8 is a top view of the heater as shown in FIG. 1;

FIG. 9 is a left front perspective view of the heater as shown in FIG. 1;

FIG. 10 is a bottom view of the heater as shown in FIG. 1.



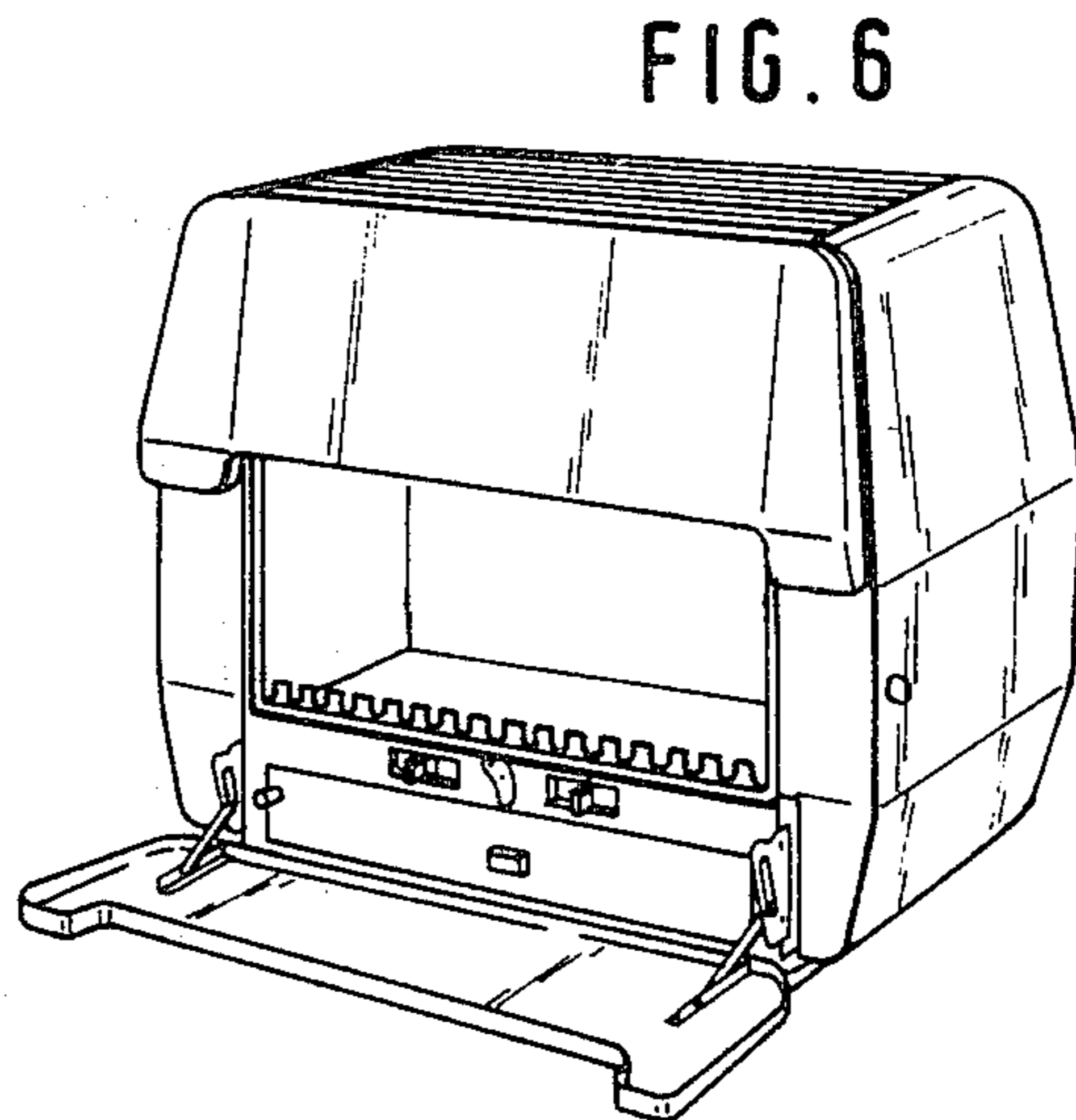
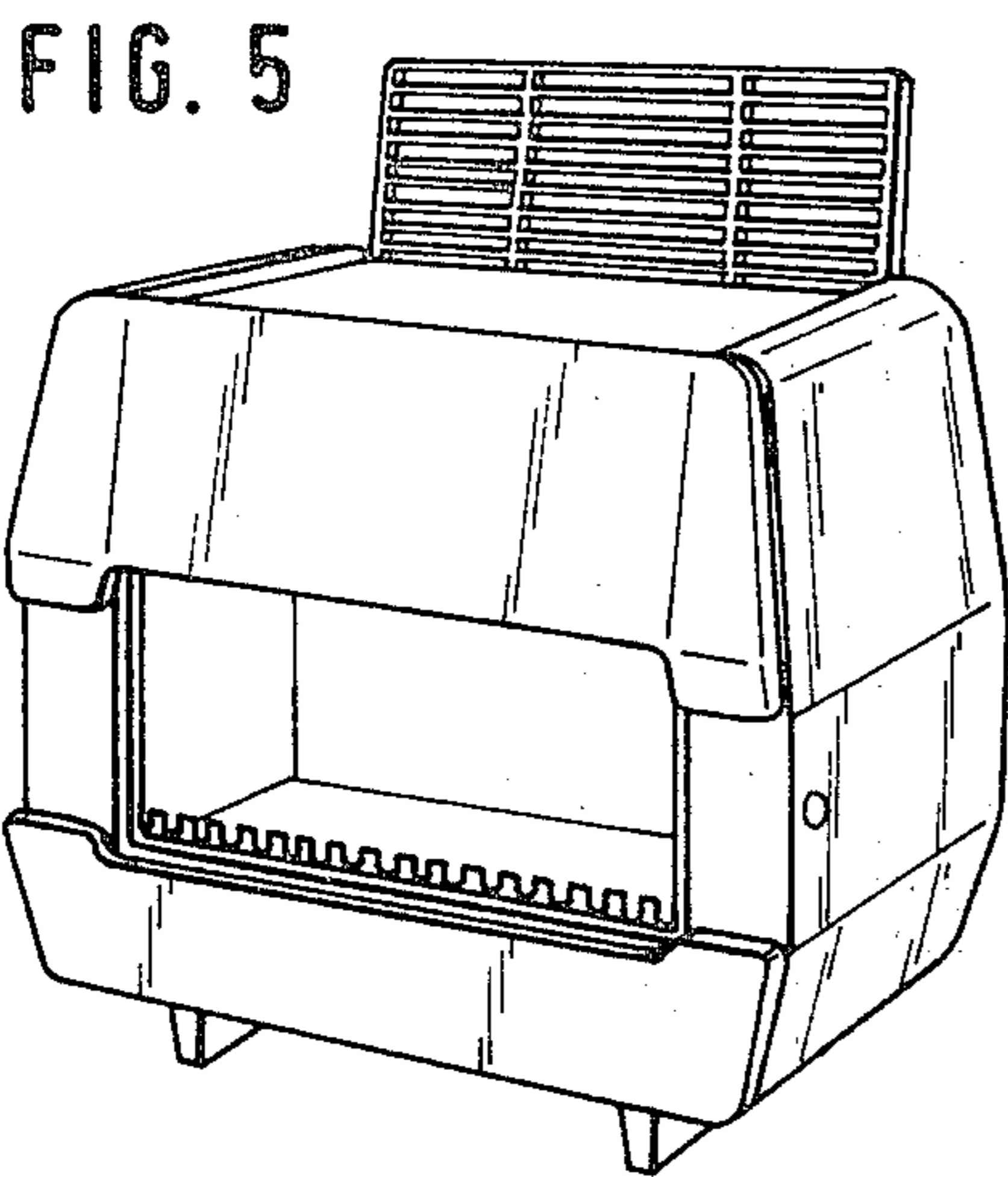
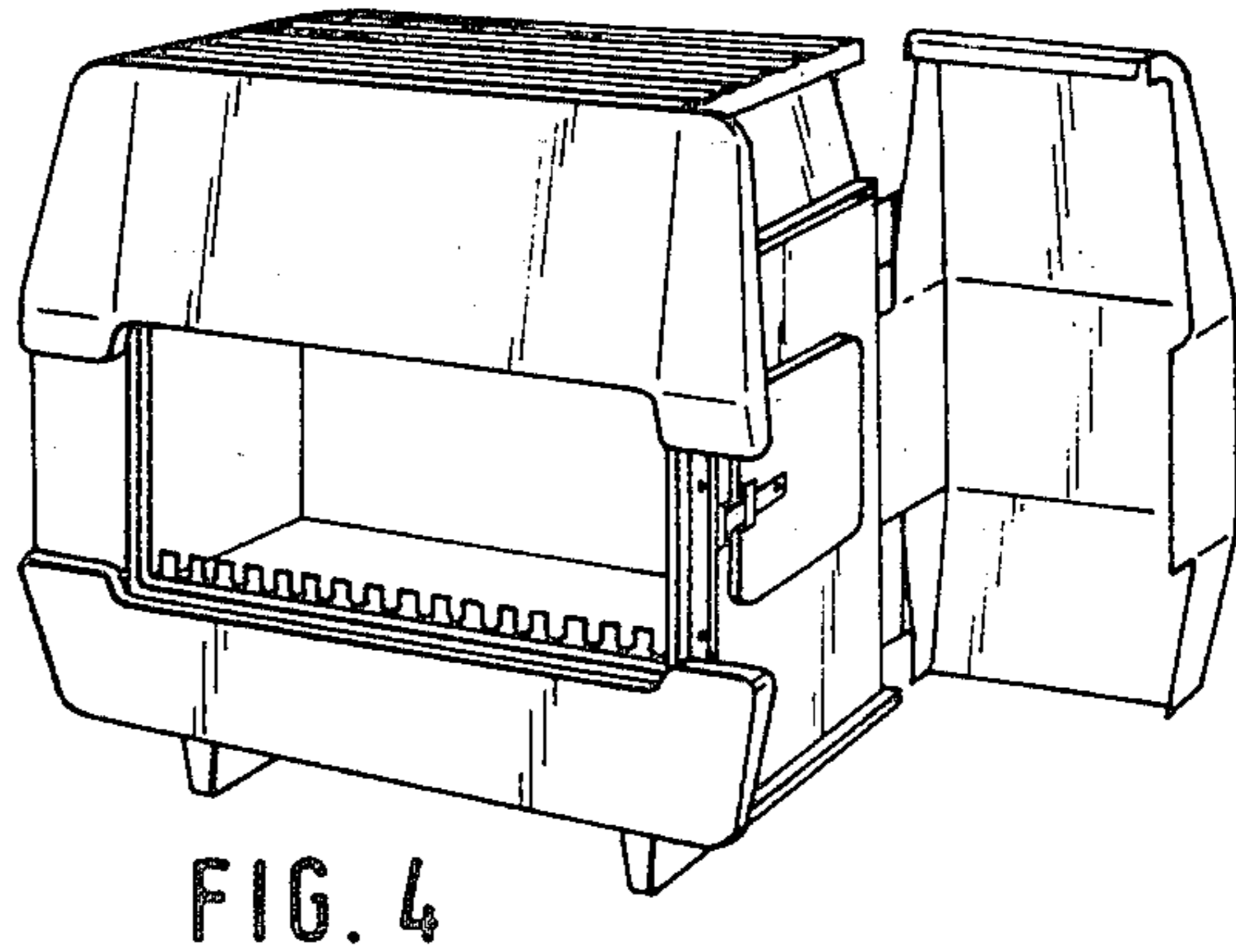
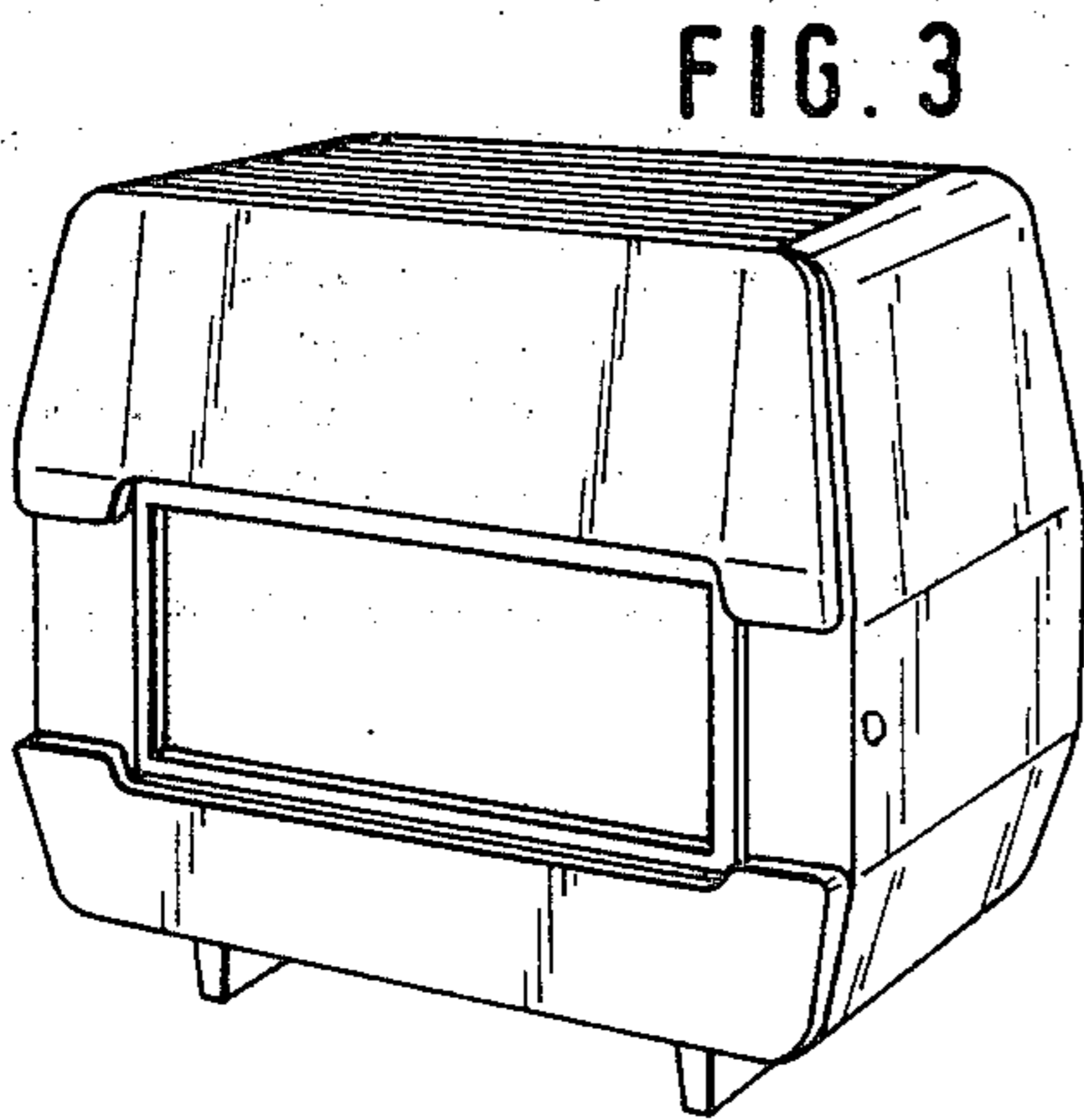
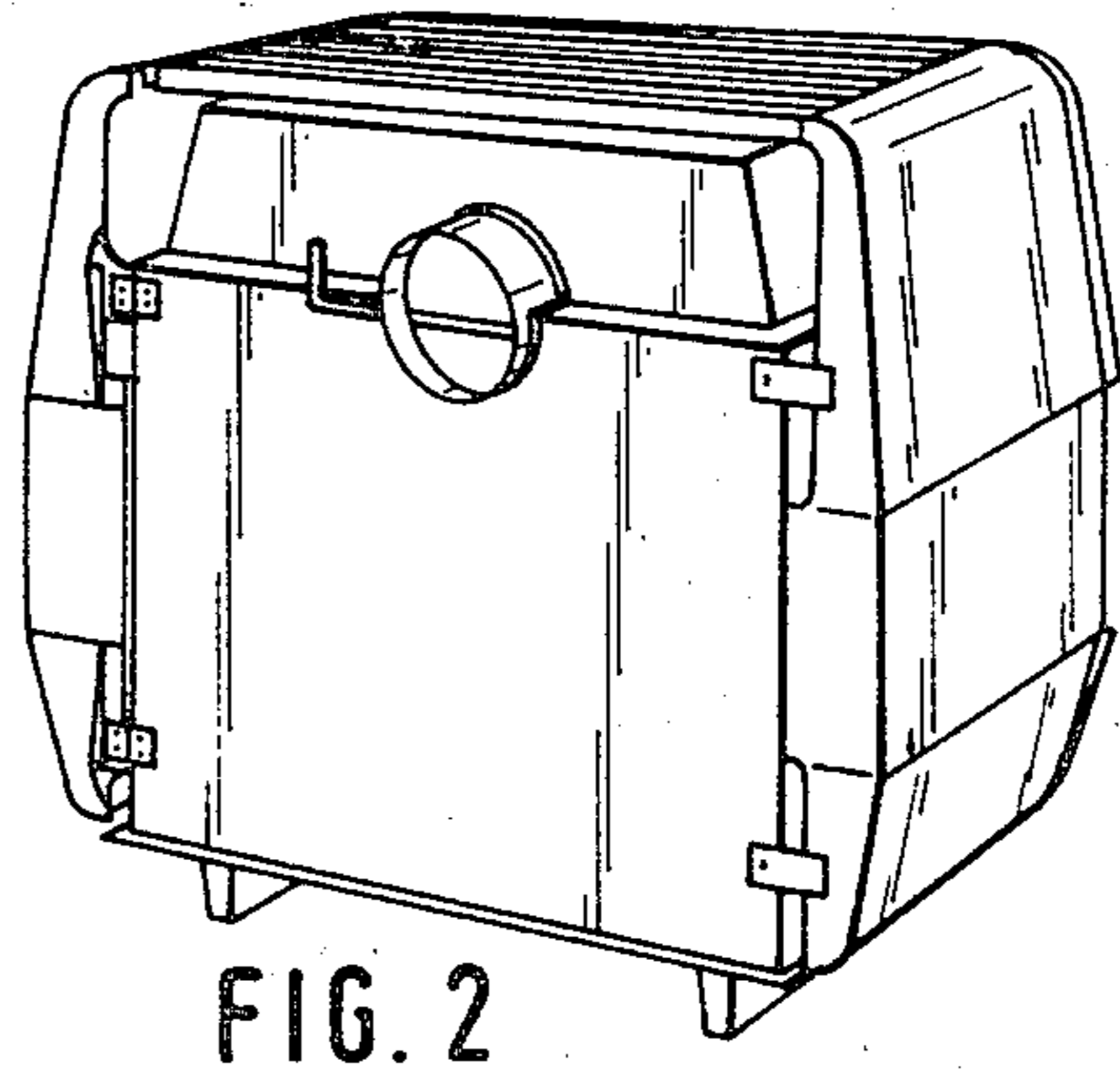
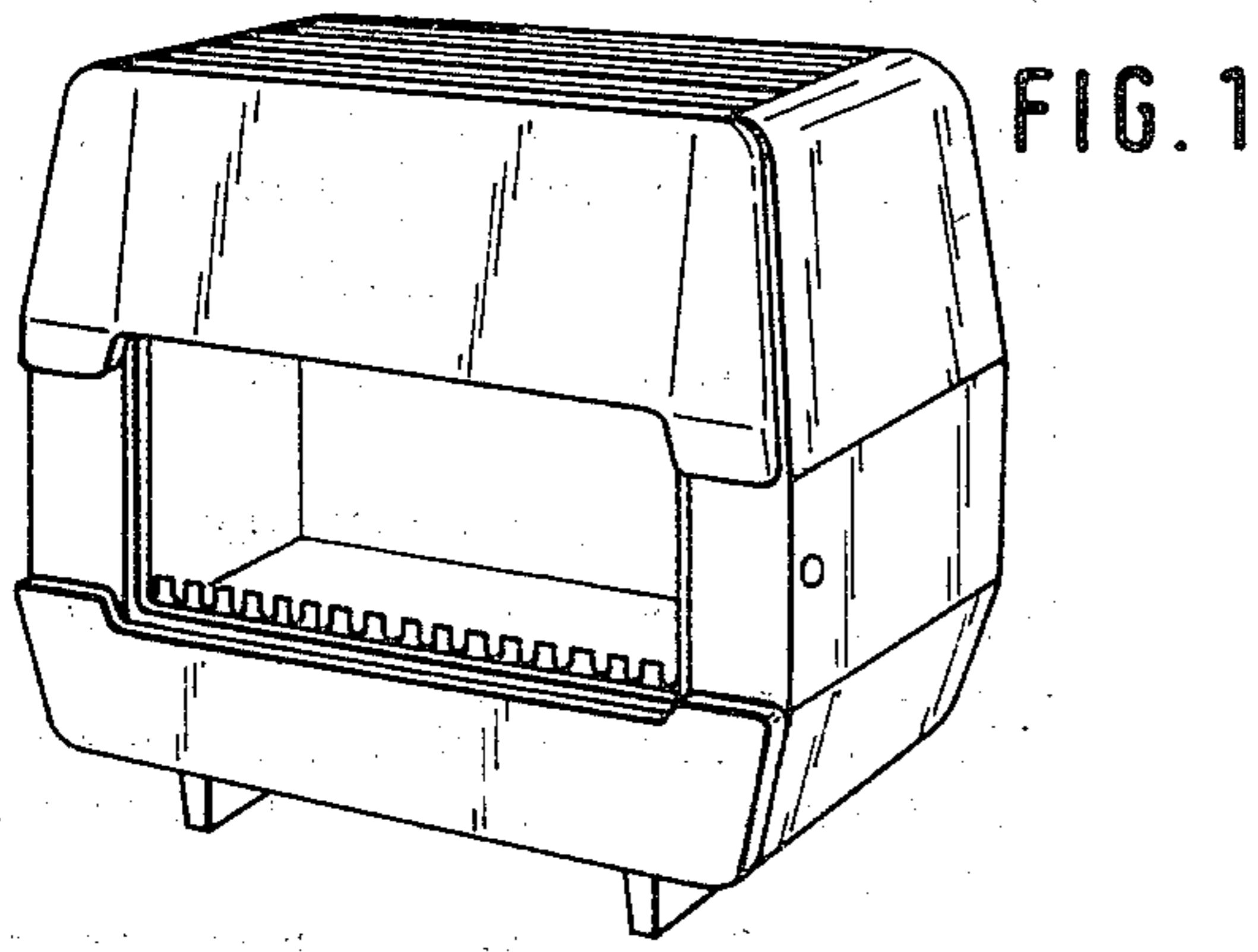


FIG. 7

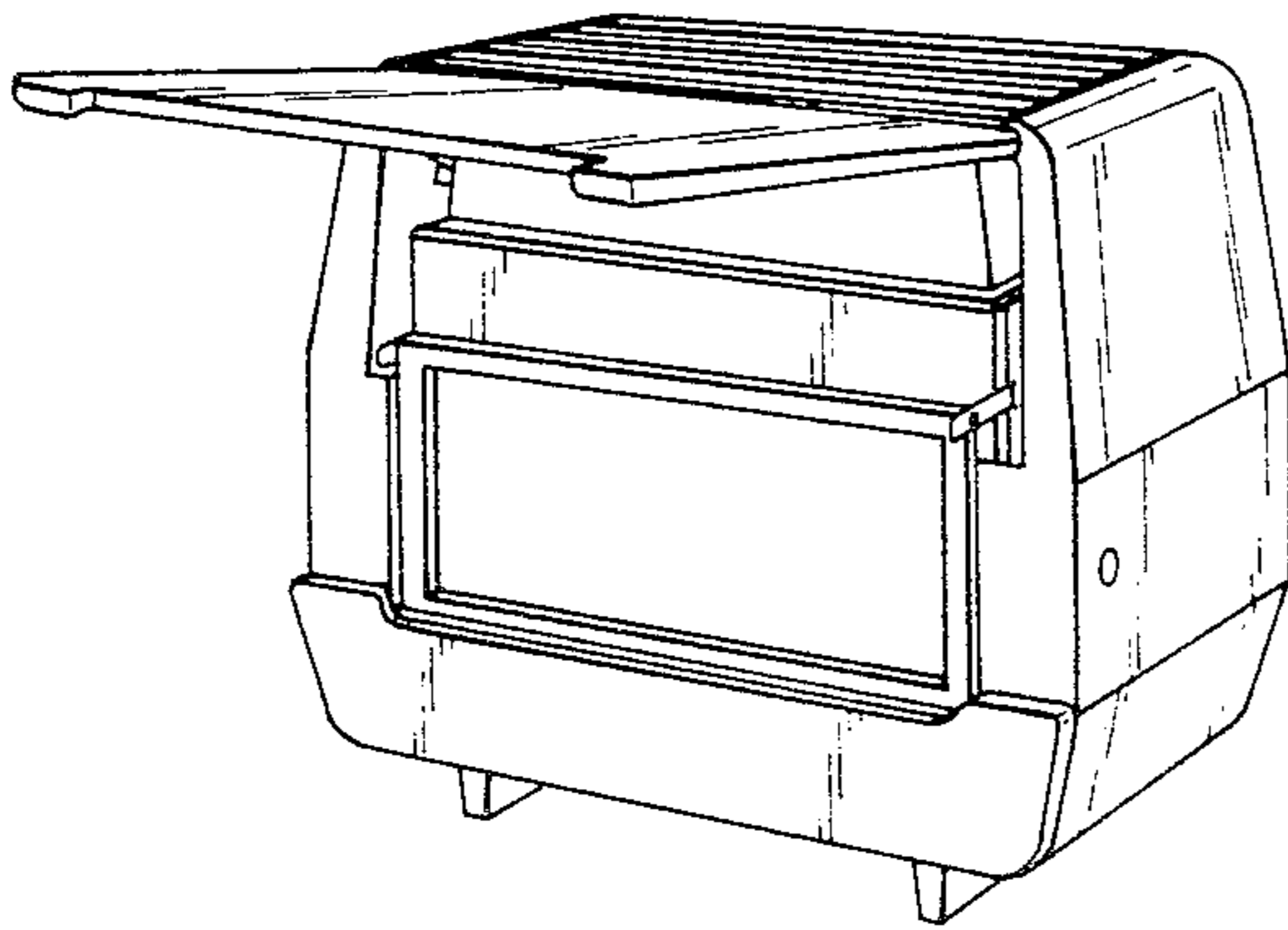


FIG. 9

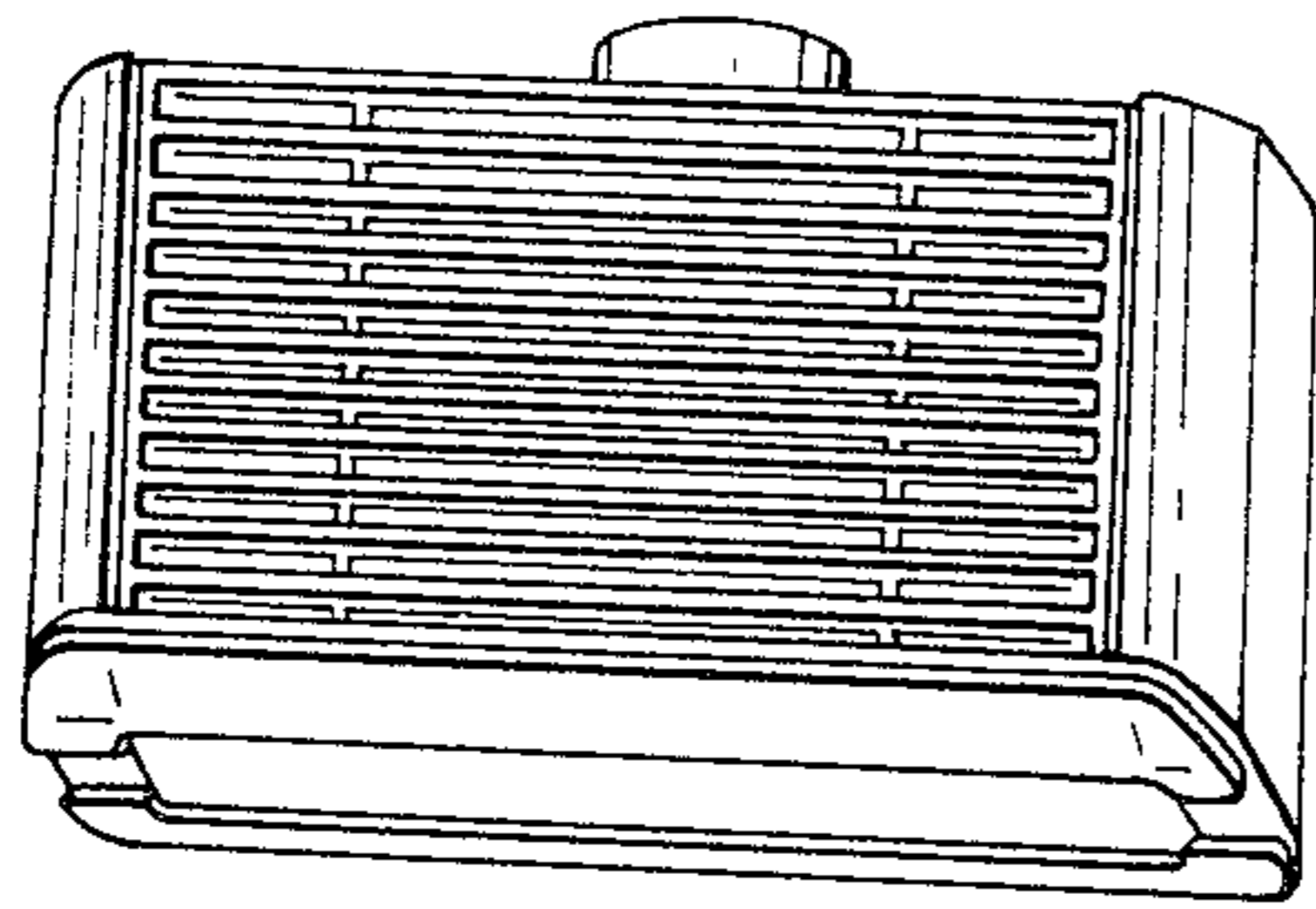
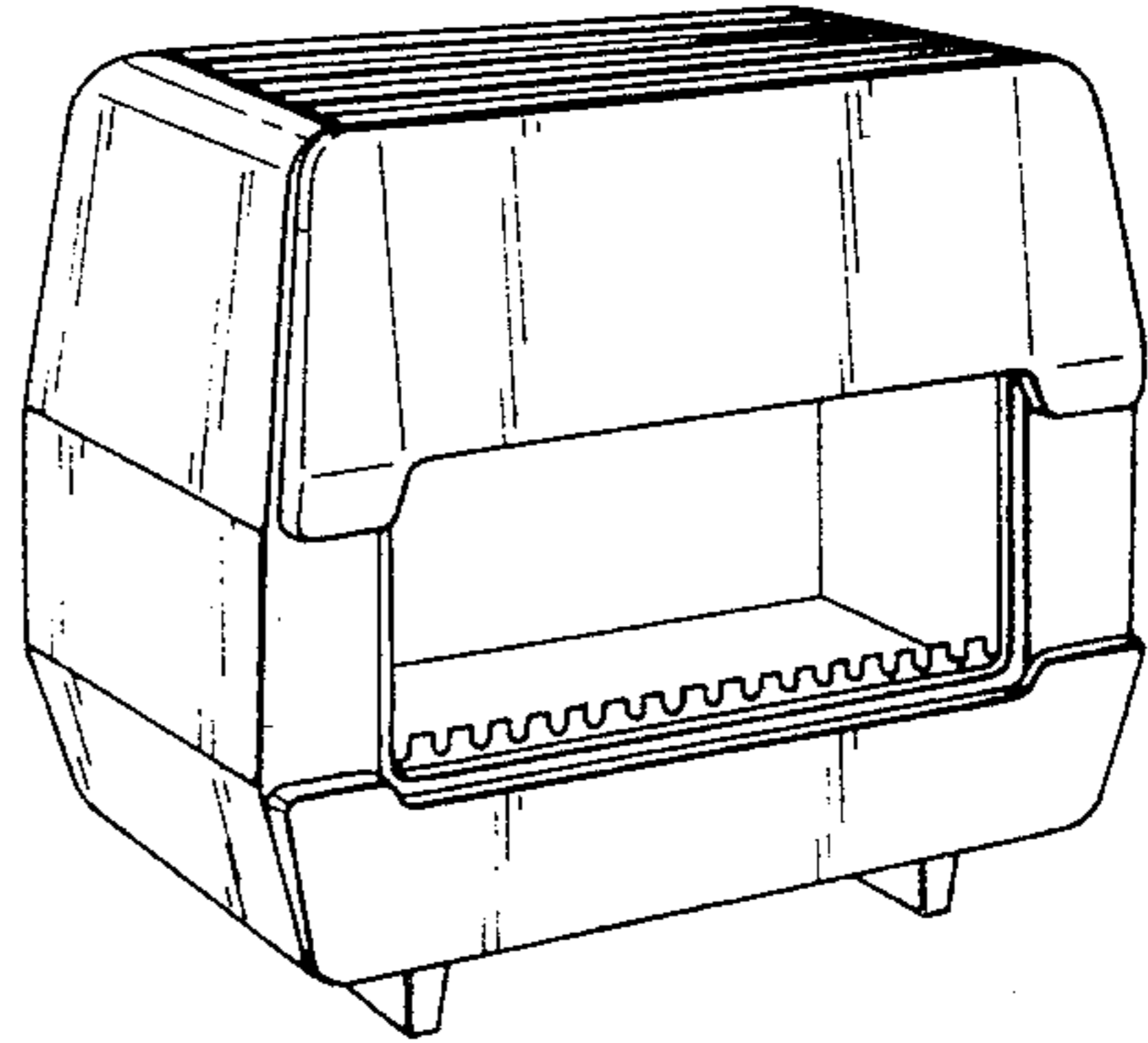


FIG. 8

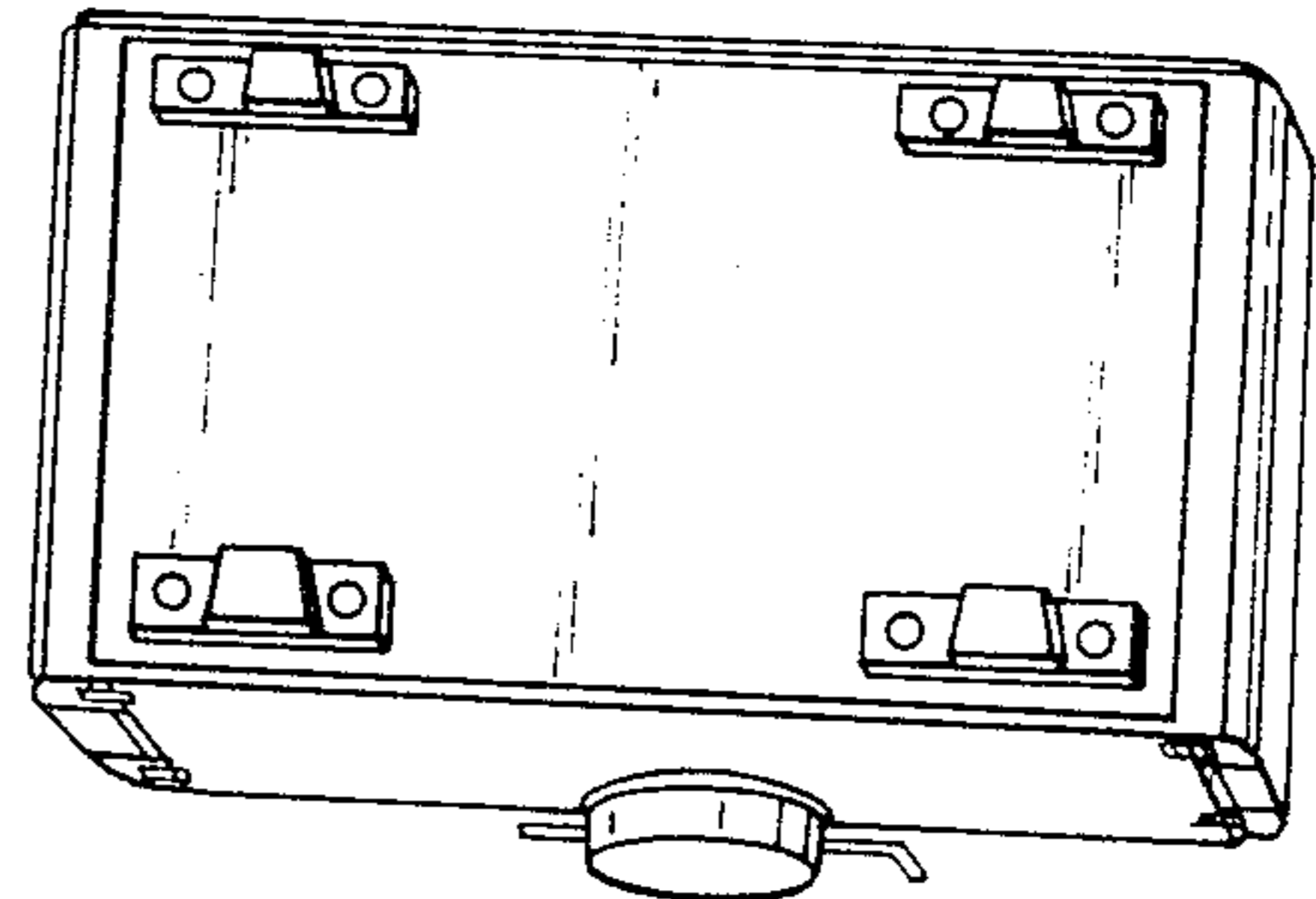


FIG. 10