

[54] BATHTUB

[75] Inventor: Michael S. Lax, New York, N.Y.

[73] Assignee: Fiat Products, Inc., Monroe, Ohio

[**] Term: 14 Years

[21] Appl. No.: 593,293

[22] Filed: Mar. 26, 1984

D. 251,610	4/1979	Moltke	D24/38
D. 265,922	8/1982	Jasperson	D23/55
D. 266,941	11/1982	Stairs, Jr.	D23/55
D. 267,190	12/1982	Harrison	D23/55
D. 269,460	6/1983	Kohler, Jr.	D24/38
4,316,294	2/1982	Baldwin	4/538

Primary Examiner—James R. Largen
Attorney, Agent, or Firm—Willian, Brinks, Olds, Hofer,
Gilson & Lione Ltd.

Related U.S. Application Data

[62] Division of Ser. No. 340,642, Jan. 19, 1982.

[52] U.S. Cl. D23/55; D24/38

[58] Field of Search D23/49, 50, 55, 56,
D23/57, 69; D24/38; 4/538, 542-544, 571-579,
584, 589, 590, 592

[57] CLAIM

The ornamental design for a bathtub, substantially as shown and described.

DESCRIPTION

FIG. 1 is a top plan view of a bathtub embodying my new design;

FIG. 2 is a perspective view taken from the top, front and left end thereof;

FIG. 3 is a cross sectional view taken on line 3—3 of FIG. 1;

FIG. 4 is a right end elevational view thereof;

FIG. 5 is a rear elevational view thereof; and

FIG. 6 is a bottom plan view thereof.

[56] References Cited

U.S. PATENT DOCUMENTS

D. 214,902	8/1969	Goodall	D23/55
D. 219,215	11/1970	Korol	D23/55
D. 238,072	12/1975	Granger	D23/55
D. 241,643	9/1976	Bonsack	D23/55

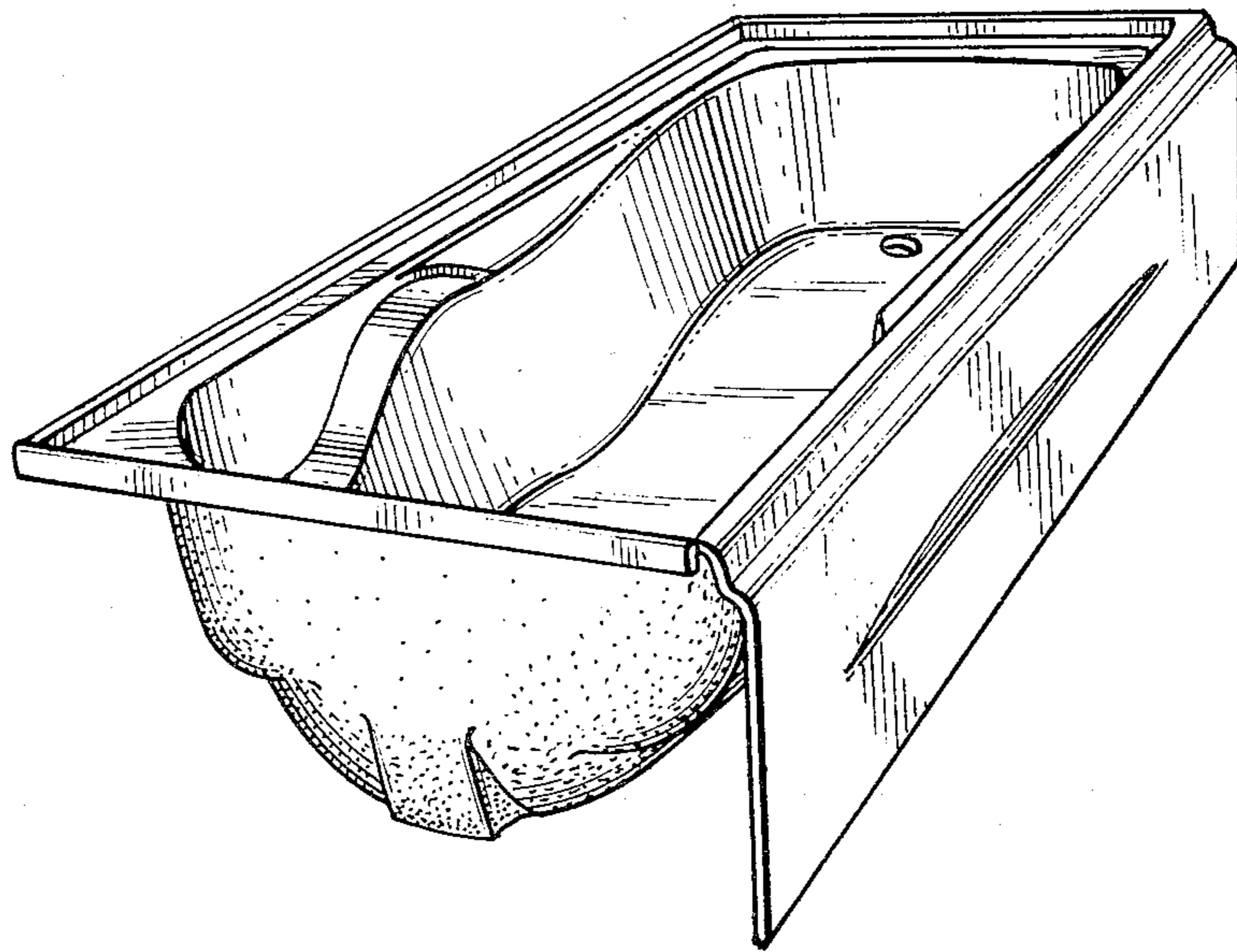


FIG. 2

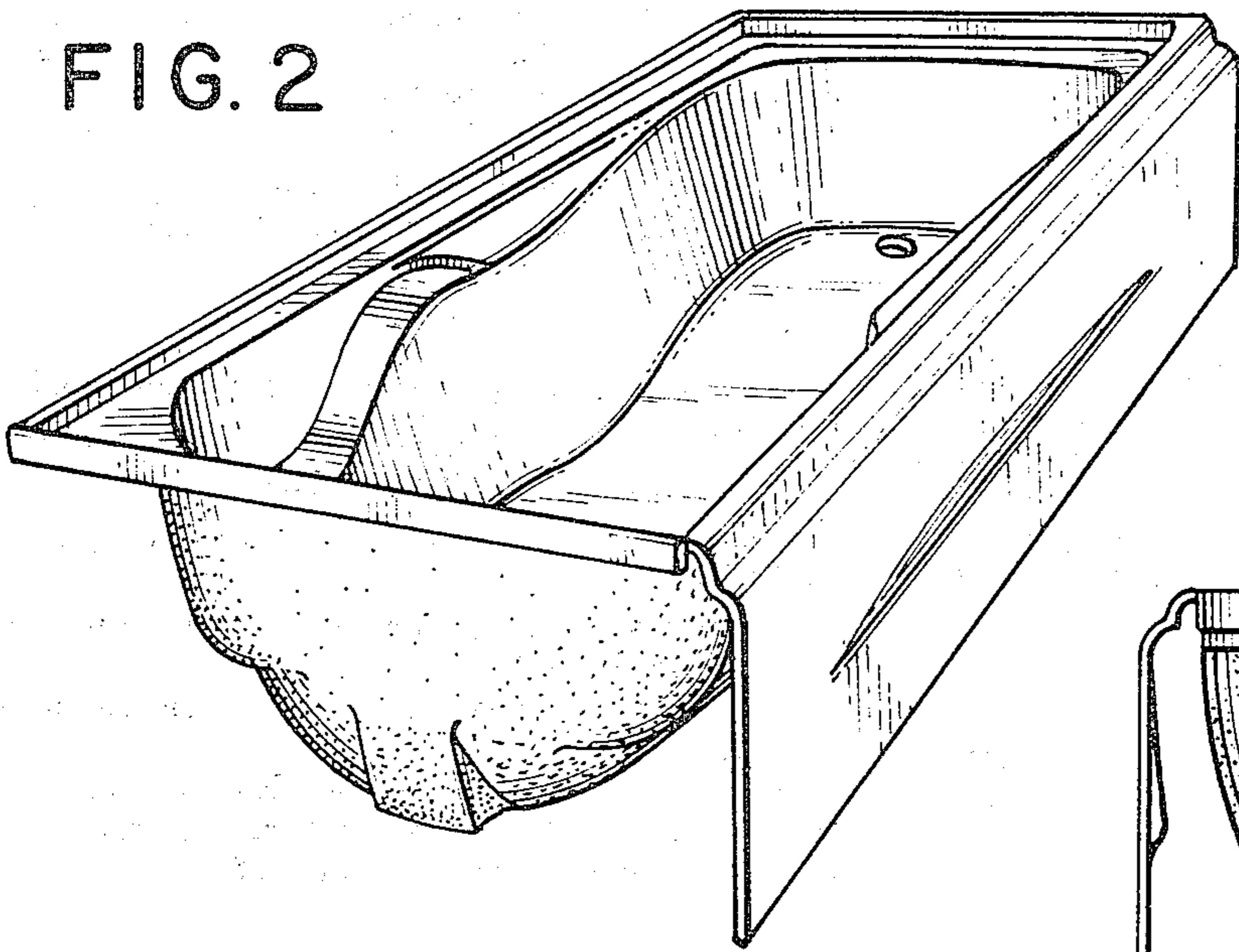


FIG. 4

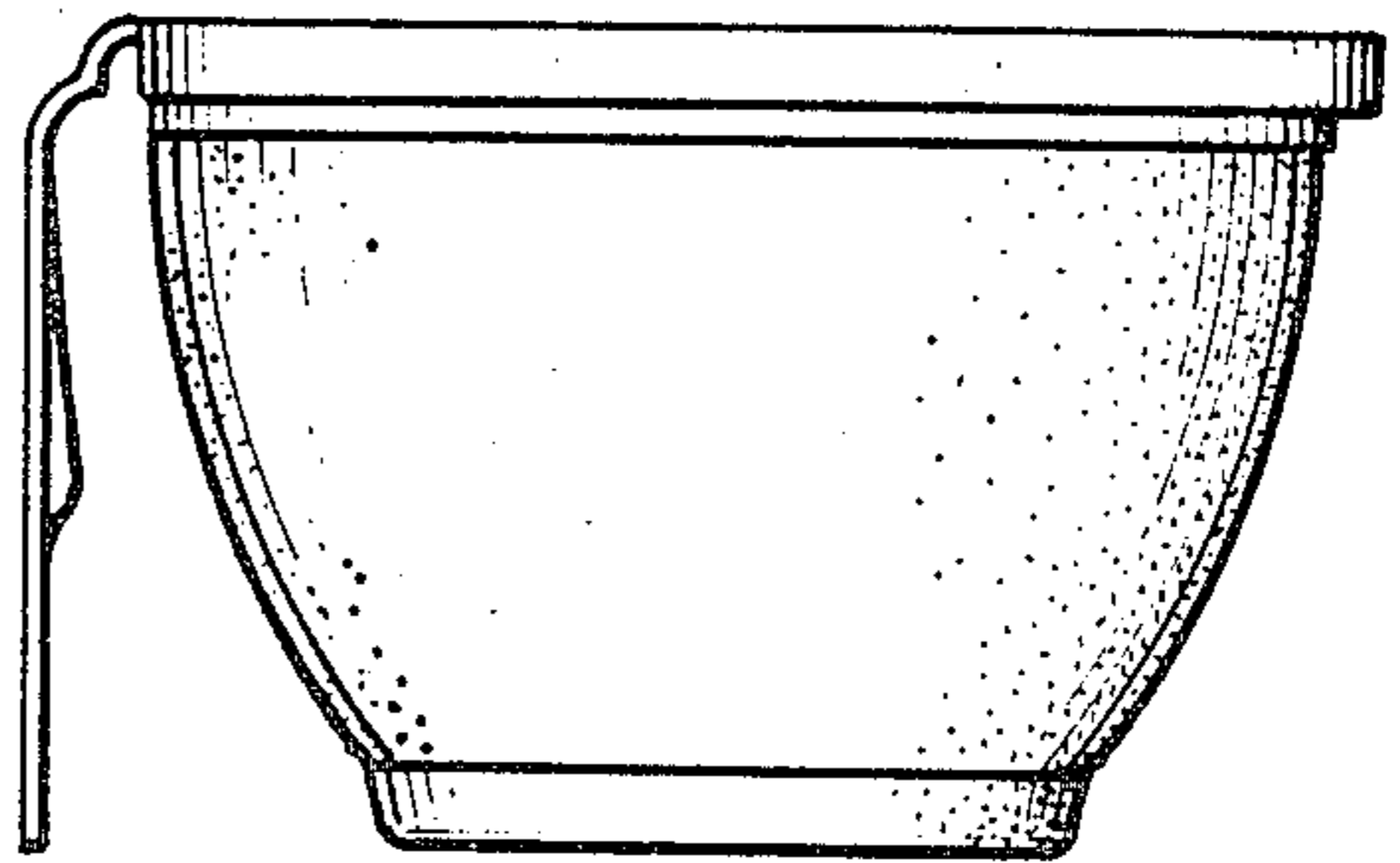


FIG. 1

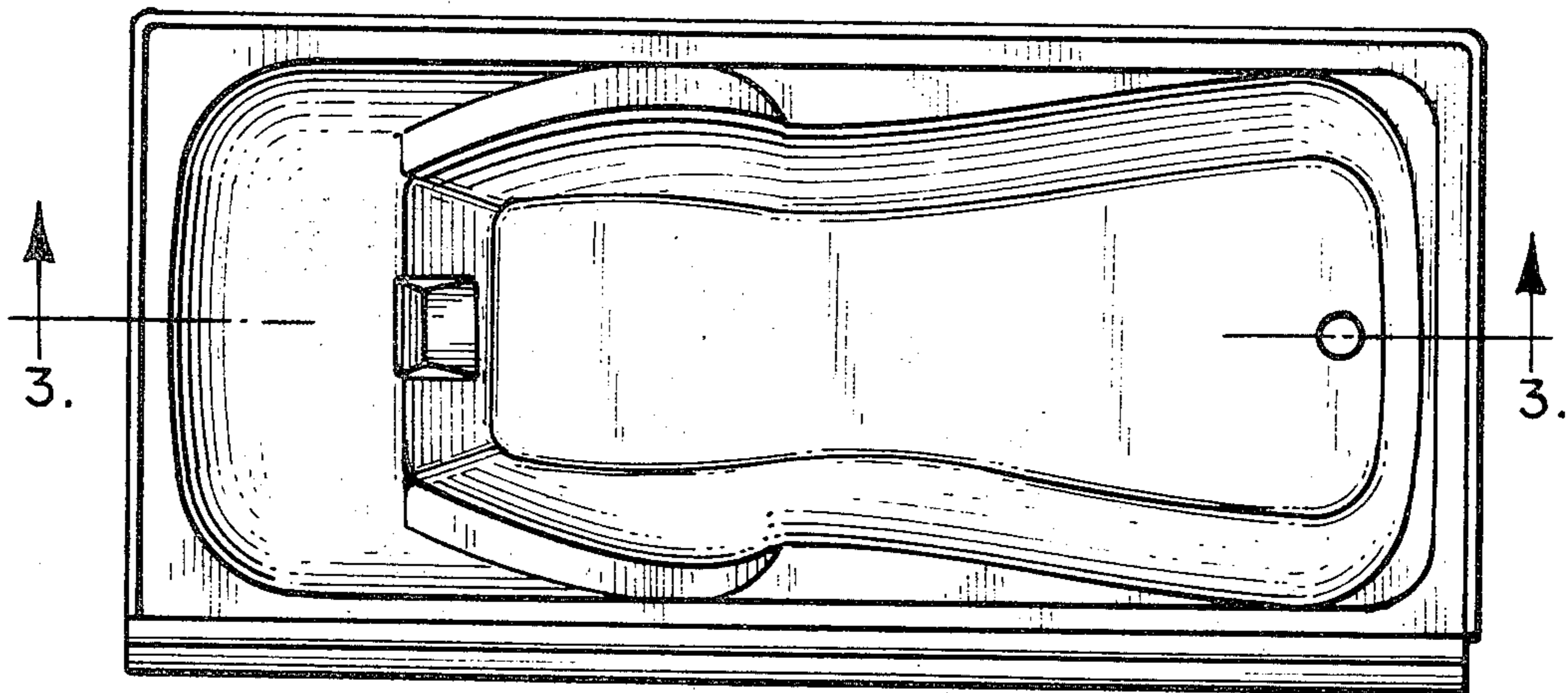


FIG. 3

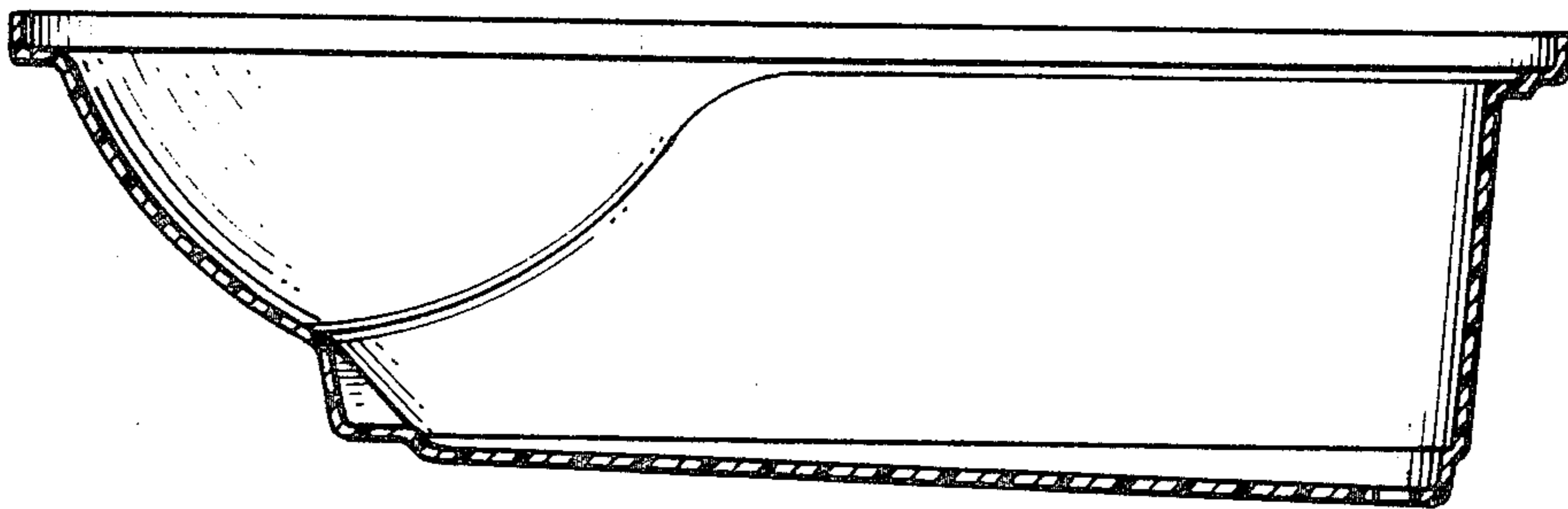


FIG. 5

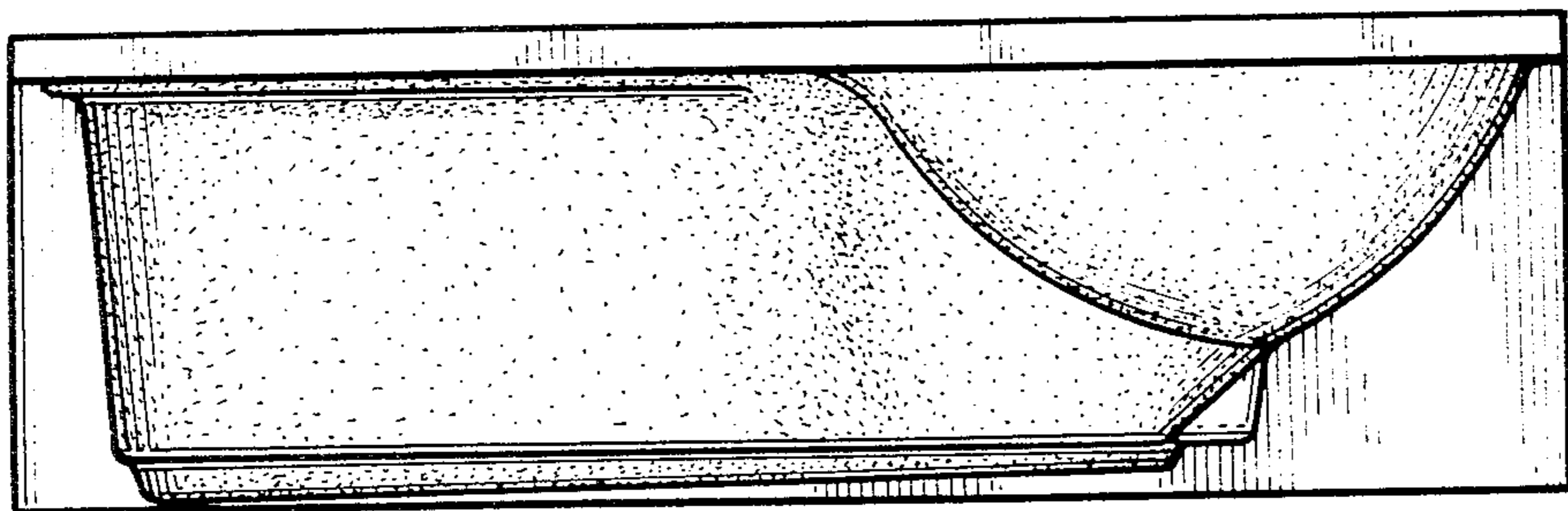


FIG. 6

