

[54] WATER FILTER

4,212,743 7/1980 Meter et al. 210/282

[75] Inventor: Clifford E. Grube, Niles, Ill.

OTHER PUBLICATIONS

[73] Assignee: Associated Mills, Inc., Chicago, Ill.

Aqua Guard Faucet Filter, manufactured by UWS, West Chicago, Ill., 60185.

[**] Term: 14 Years

Primary Examiner—James R. Largen

[21] Appl. No.: 398,641

Attorney, Agent, or Firm—Allegretti, Newitt, Witcoff & McAndrews, Ltd.

[22] Filed: Jul. 15, 1982

[52] U.S. Cl. D23/3

[58] Field of Search D23/3-4; 210/282, 444-449

[57] CLAIM

The ornamental design for a water filter, substantially as shown and described.

[56] References Cited

DESCRIPTION

U.S. PATENT DOCUMENTS

D. 229,054	11/1973	Watanabe	D23/3
D. 242,249	11/1976	Watanabe	D23/4
1,912,943	6/1933	Lamela et al.	210/449 X
3,519,134	7/1970	Hassinger	210/449 X
3,746,174	7/1973	Watanabe	210/282
3,853,761	10/1974	McClory	210/449
4,147,631	4/1979	Din Deines	210/137
4,172,796	10/1979	Corder	210/282 X

FIG. 1 is a perspective view taken from the top, front, and left side of a water filter showing my new design; FIG. 2 is a left side elevational view thereof; FIG. 3 is a front elevational view thereof; FIG. 4 is a rear elevational view thereof; FIG. 5 is a right side elevational view thereof; and FIG. 6 is a top plan view thereof, the bottom being unornamented.

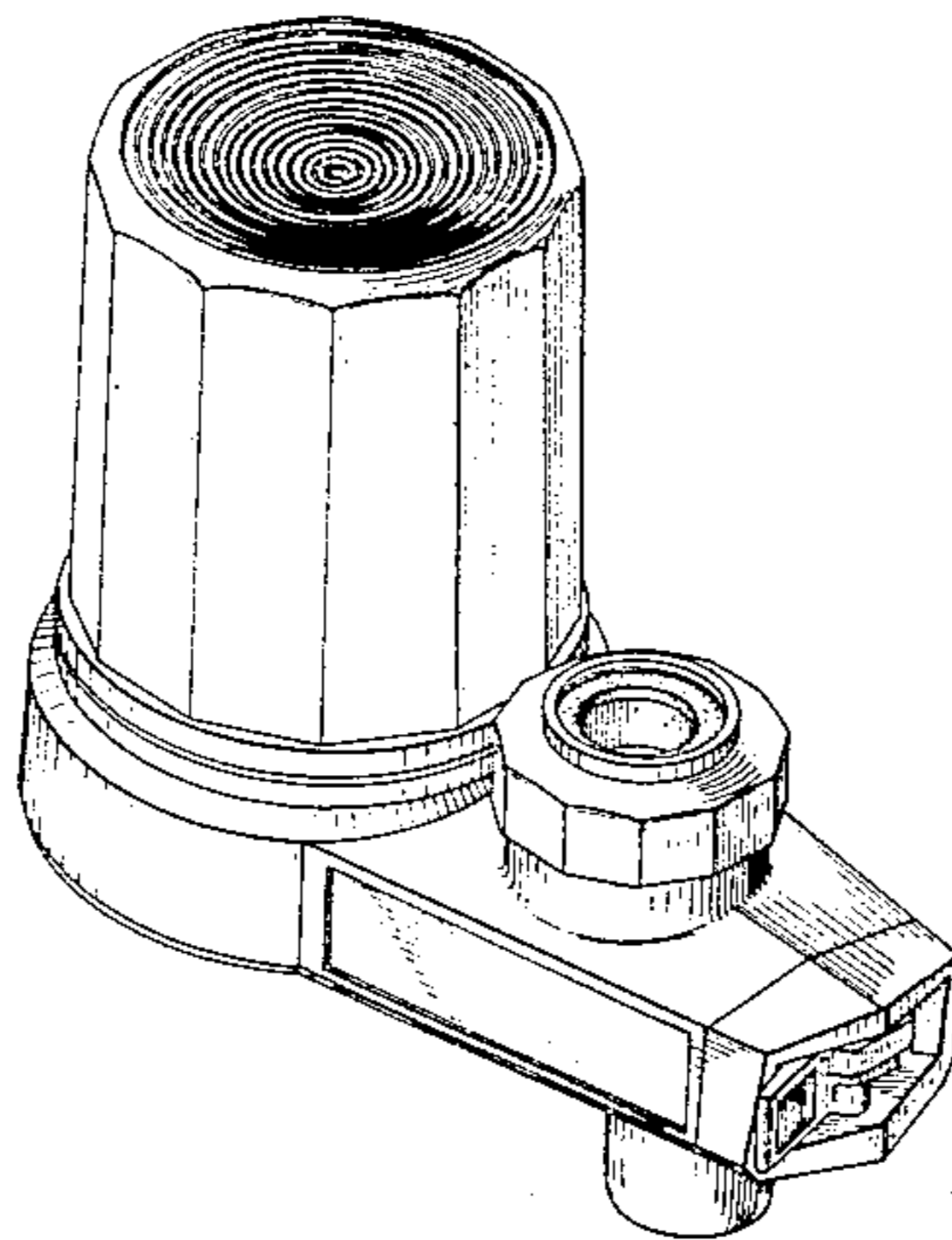


Fig. 1

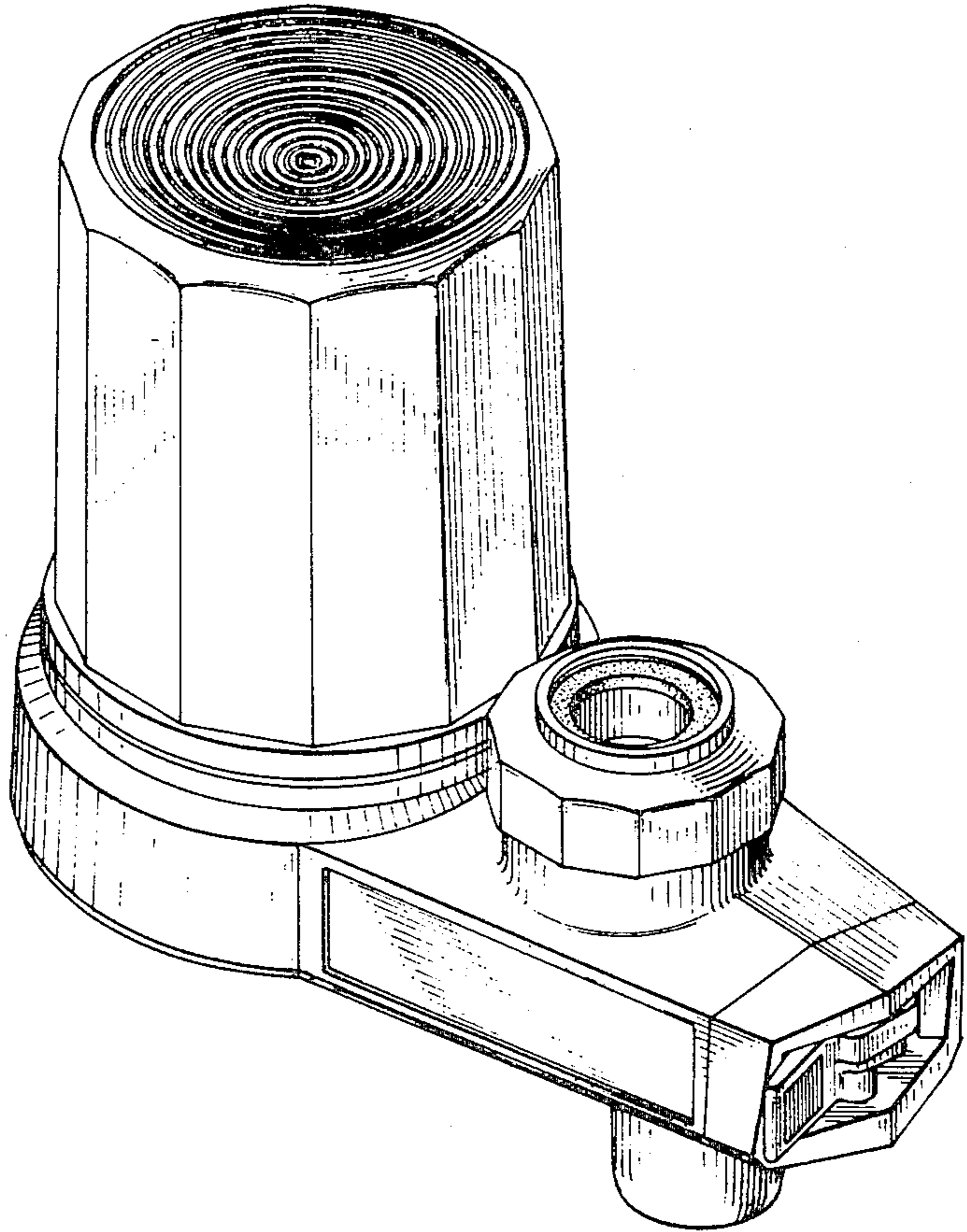


Fig. 2

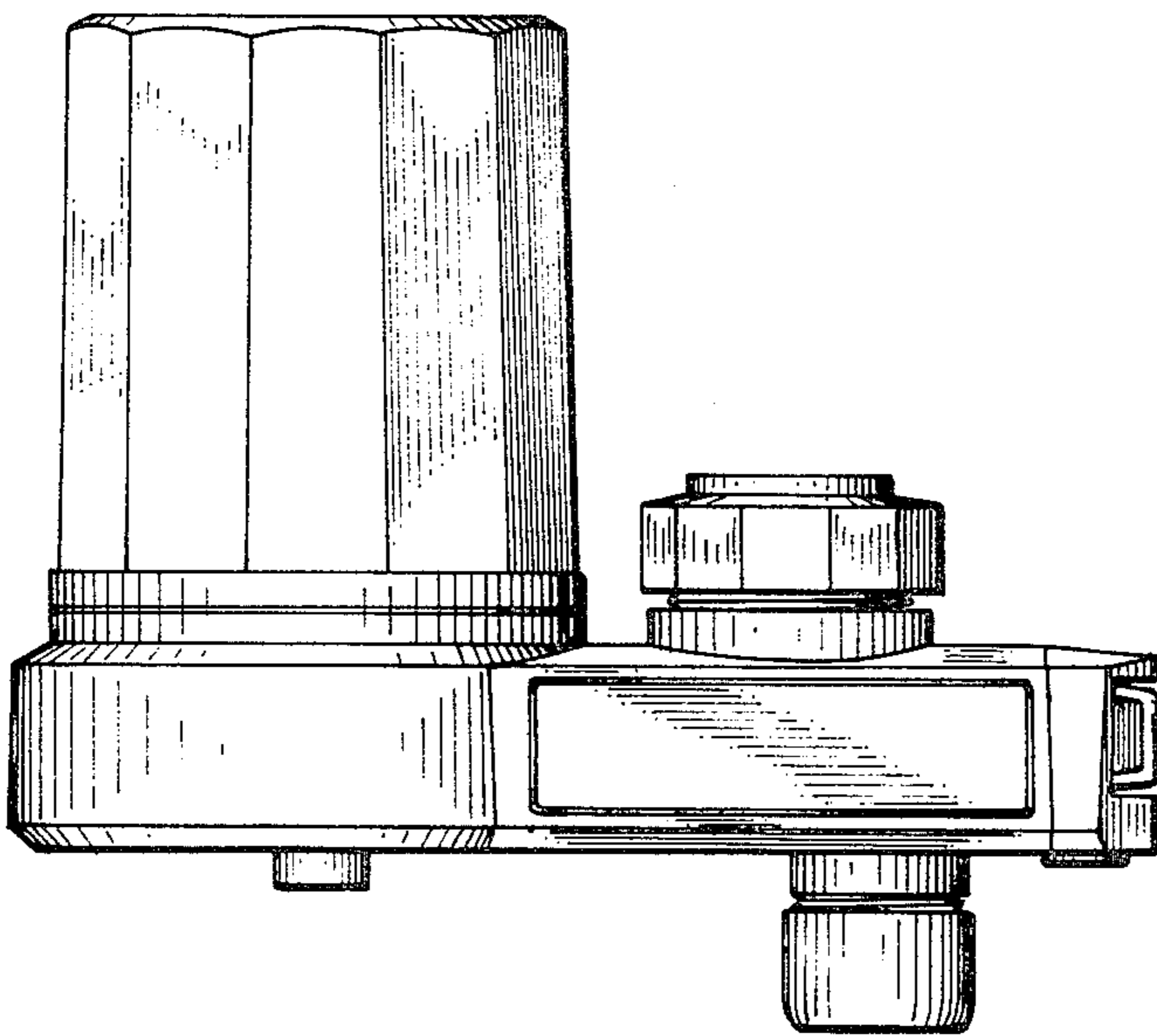


Fig. 3

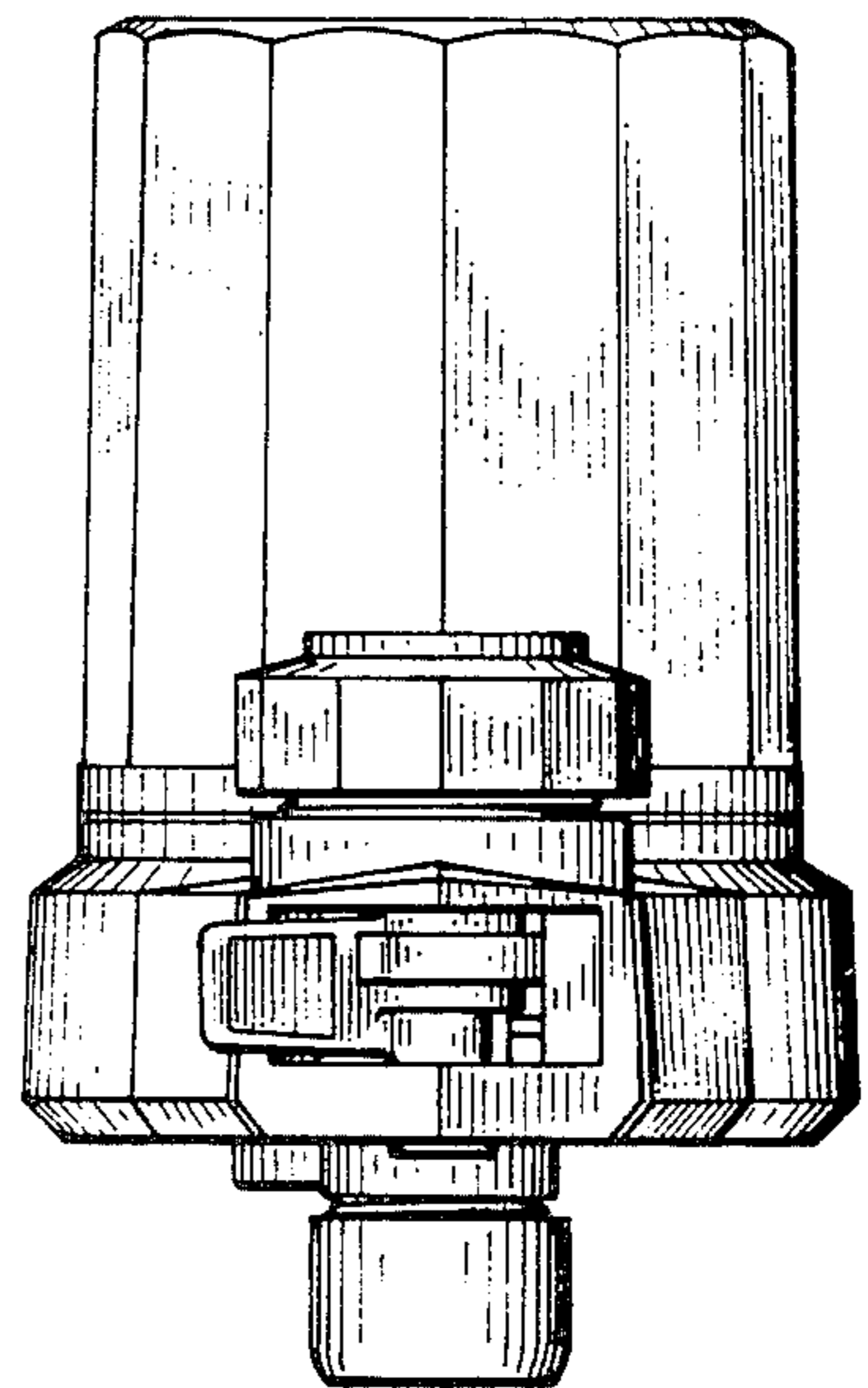


Fig. 4

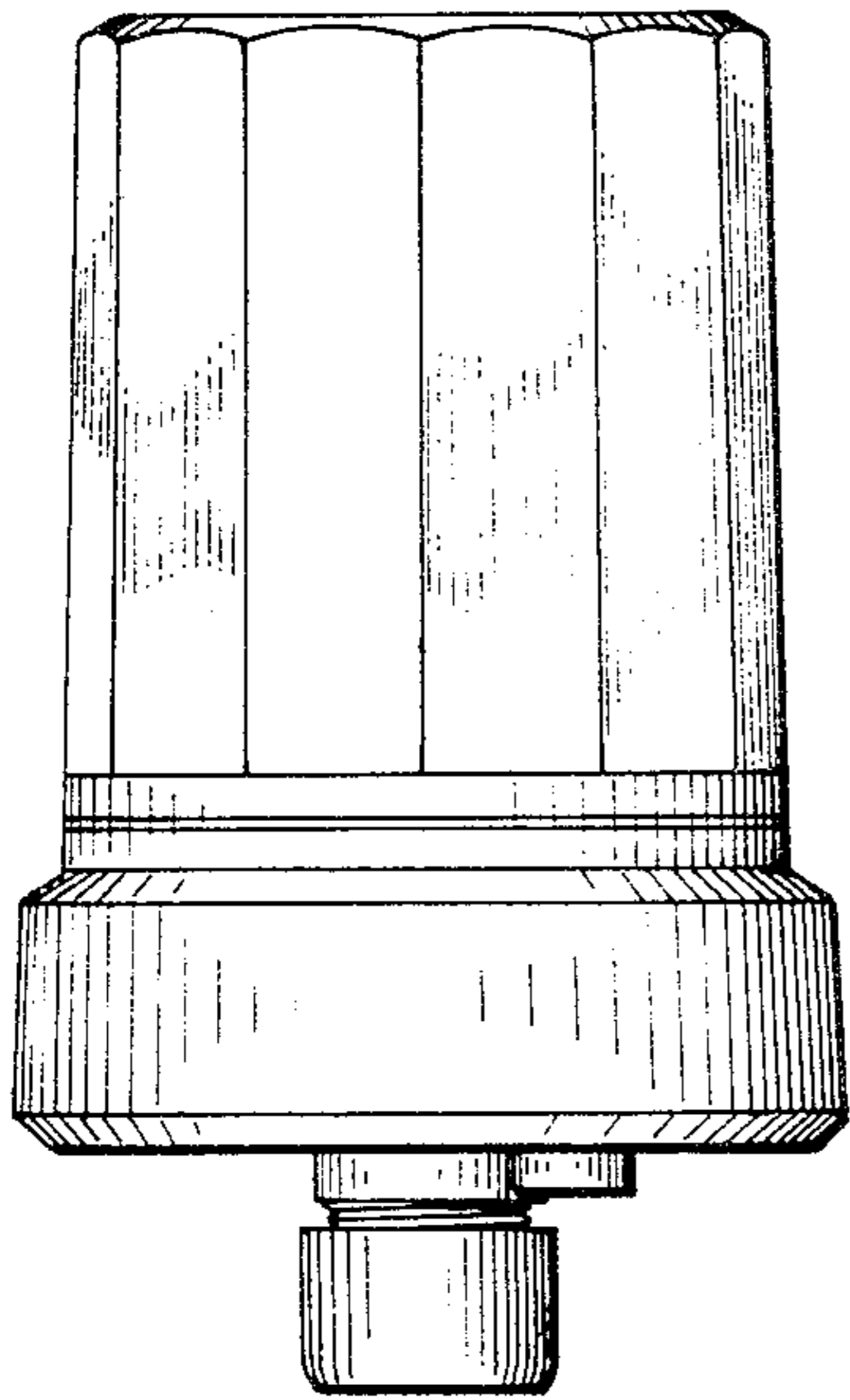


Fig. 5

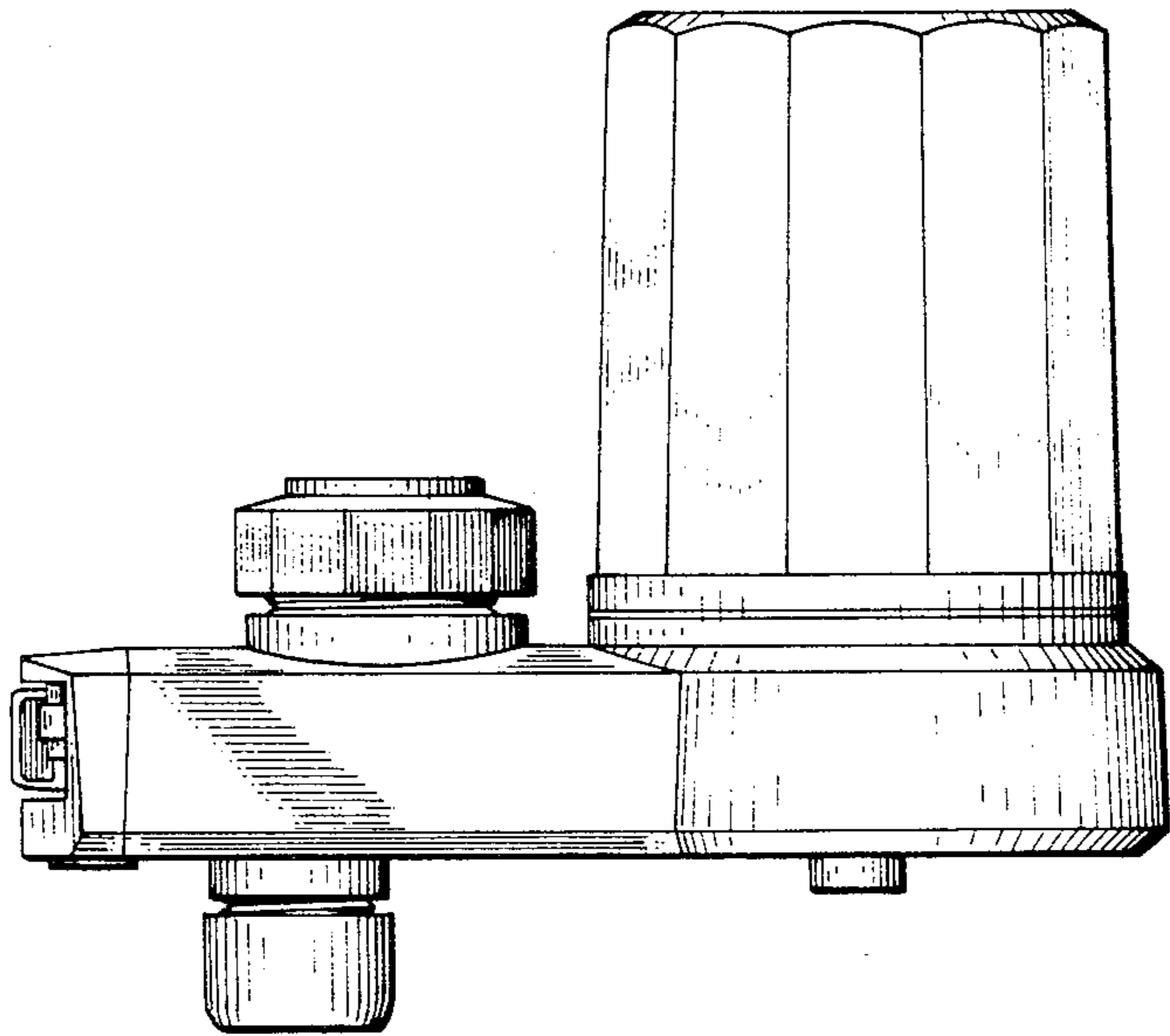


Fig. 6

