

[54] ROWING MACHINE

[75] Inventors: David B. Smith, 3811 W. Mercer Way, Mercer Island, Wash. 94040; John M. Moore, Woodinville, Wash.

[73] Assignee: David B. Smith, Mercer Island, Wash.

[\*\*] Term: 14 Years

[21] Appl. No.: 399,358

[22] Filed: Jul. 19, 1982

[52] U.S. Cl. .... D21/195

[58] Field of Search ..... D21/191-199; 272/61, 112, 67, 68, 116, 125, 126, 133, 134, 135, 138, 142, 143, 144, 145

[56] References Cited

U.S. PATENT DOCUMENTS

D. 265,110	6/1982	Lafont	.....	D21/195
D. 268,194	3/1983	Smith	.....	D21/195
D. 268,278	3/1983	Smith	.....	D21/195
3,446,503	5/1969	Lawton	.....	D21/195
3,561,758	2/1971	Huber	.....	272/138

OTHER PUBLICATIONS

Copy of a portion of an advertising brochure distributed by Merchants Corporation of America illustrating a rowing machine designated as Model MCA-1200.

Photocopy of an advertising brochure distributed by M & R Industries illustrating and describing a rowing machine designated as "Dyna-Row 100".

Copies of two pages of a 1981 Annual Report distributed by Pyramid Sports, Inc., showing two rowing machines designated as Models RVS/60 and RVS/62.

Photocopies of pages 6 & 7 of an advertising catalog distributed by Amerec Corporation illustrating a Tun-

turi Rowing Machine constructed similarly to M & R Dyna-Row 100.

Page 14 of a catalog distributed by Vitamaster illustrating rowing machine Models RM-6 and RM-7.

Photocopy of a portion of an advertising brochure distributed by Walton Manuf. Co. illustrating a Model 522-Professional Rowing Exerciser similar to one by M & R.

Copies of portions of an advertising brochure illustrating the Amerec rowing machines, Models 610 and 660. Page 9 of catalog distributed by Amerec Corporation illustrating Tunturi rowing machine constructed similarly to M & R Dyna-Row 100.

Page 20 of a catalog distributed by Vitamaster illustrating rowing machine Model RM-4, constructed similarly to above Tunturi rowing machine.

Photocopy of MDI rowing machine Model 622 constructed similarly to Tunturi and Vitamaster single-arm machines, above.

Photocopy of illustration of single-arm rowing machine designated as Model RB-62.

Primary Examiner—Charles A. Rademaker  
Attorney, Agent, or Firm—Christensen, O'Connor, Johnson & Kindness

[57] CLAIM

The ornamental design for a rowing machine, substantially as shown.

DESCRIPTION

FIG. 1 is a perspective view of a rowing machine showing our new design;

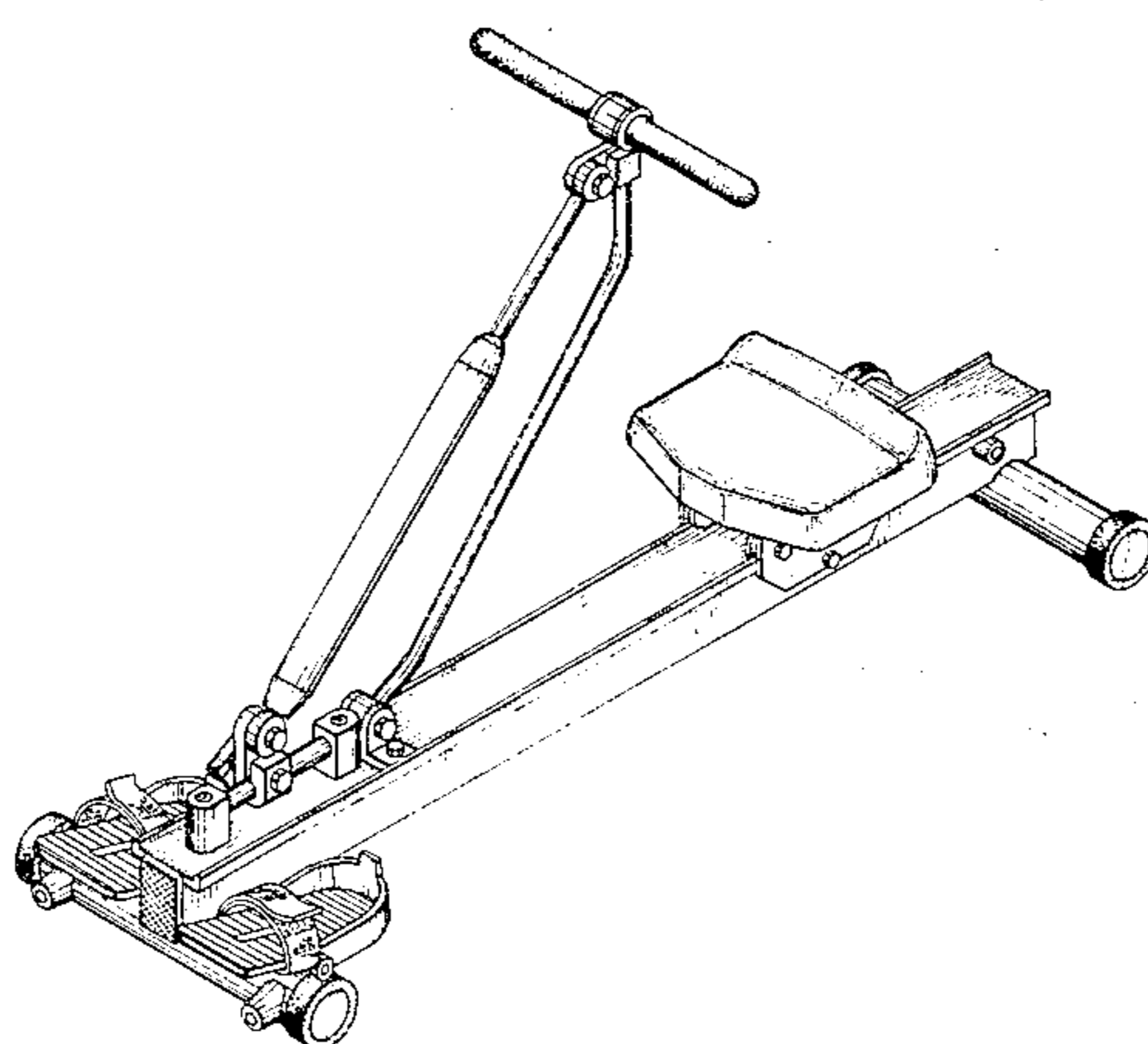
FIG. 2 is a top plan view thereof;

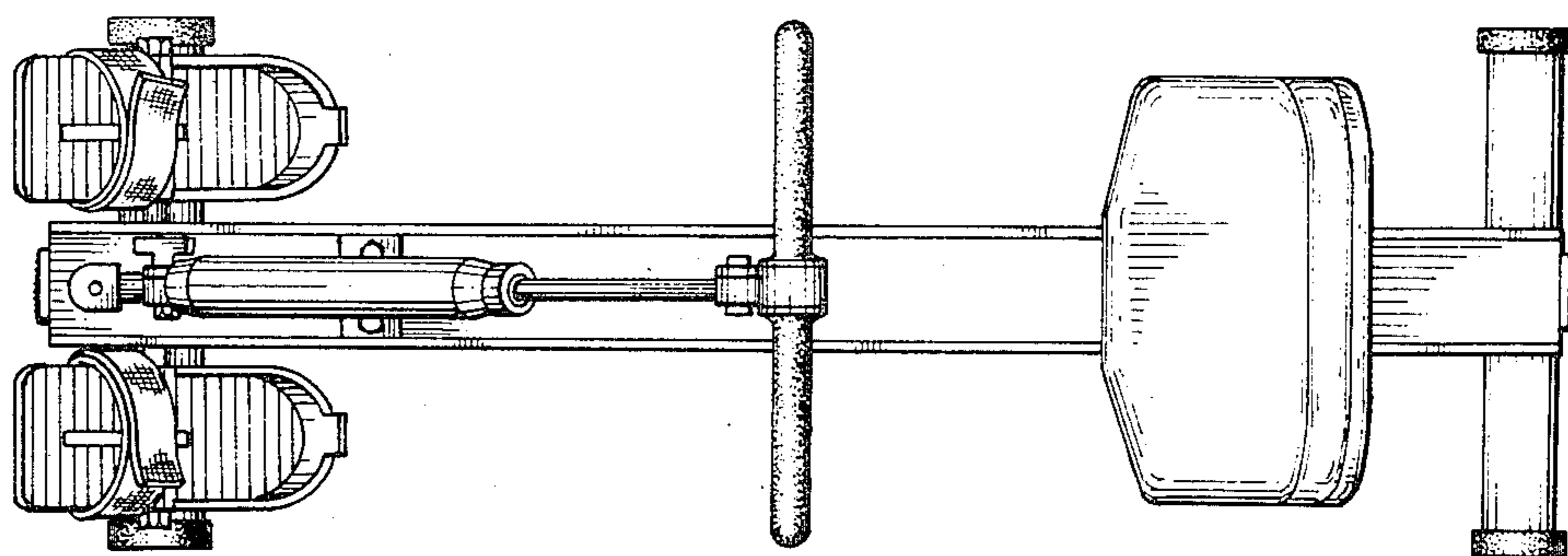
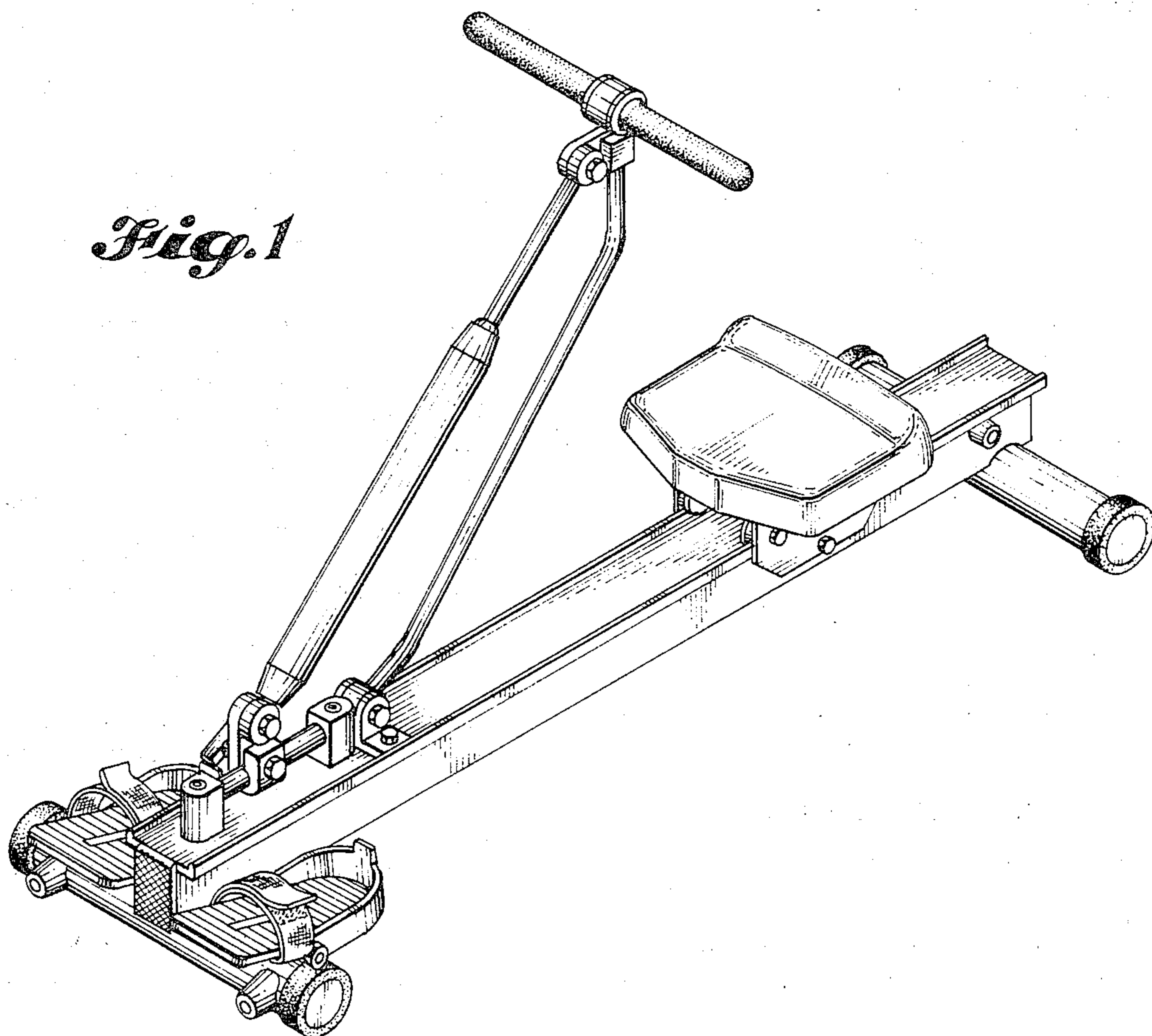
FIG. 3 is a side elevational view thereof;

FIG. 4 is a front elevational view thereof;

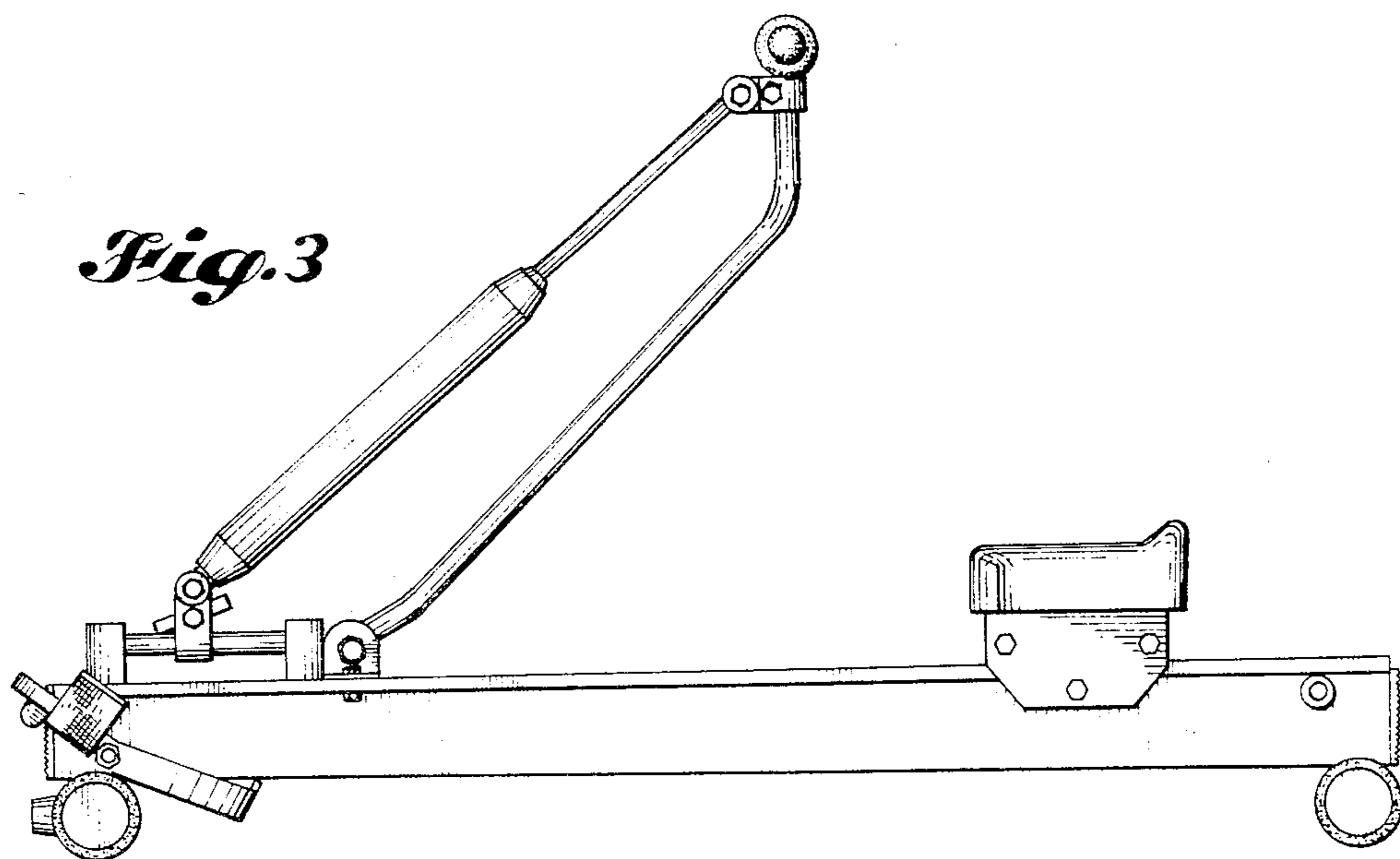
FIG. 5 is a rear elevational view thereof; and,

FIG. 6 is a bottom plan view thereof.

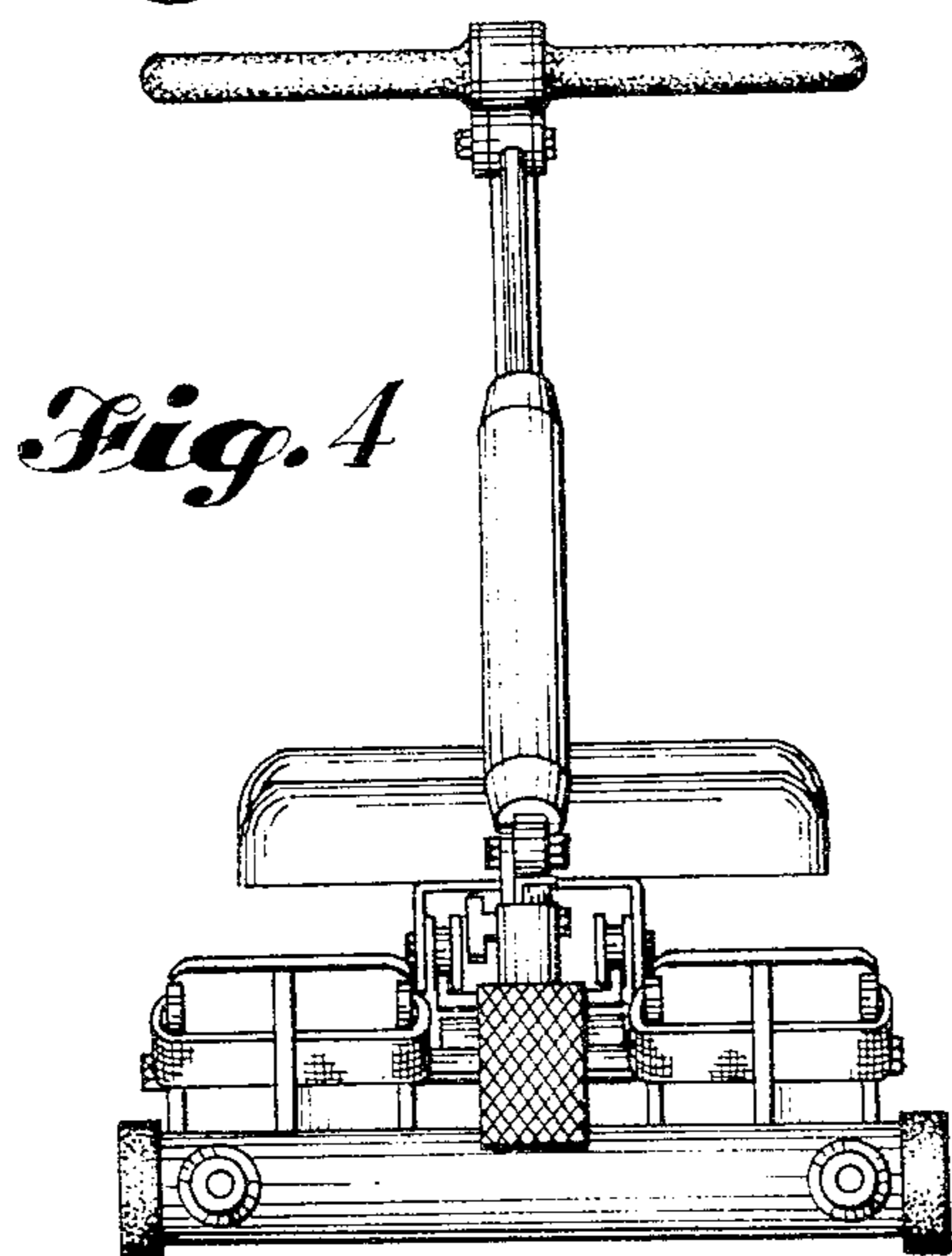




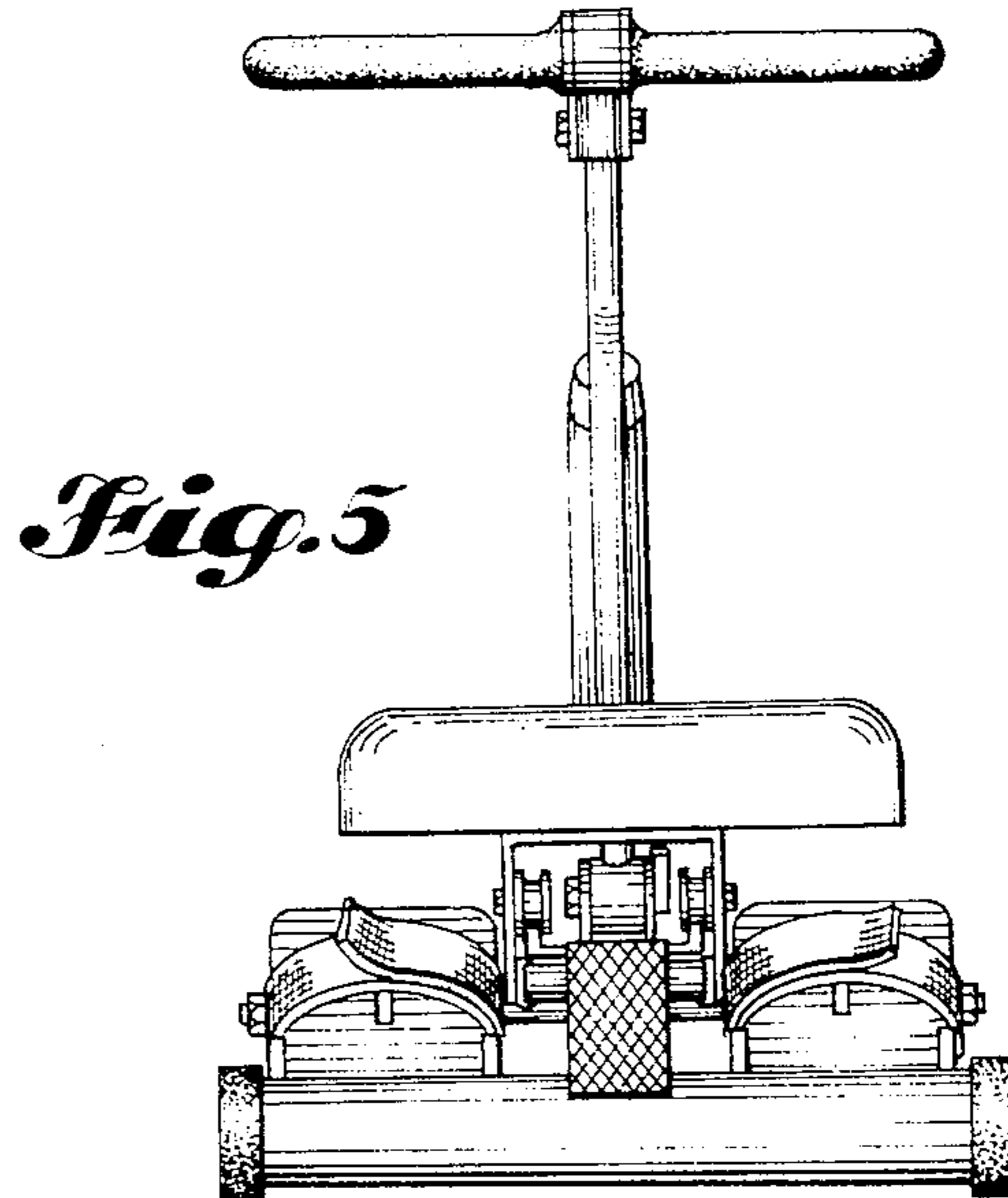
*Fig. 2*



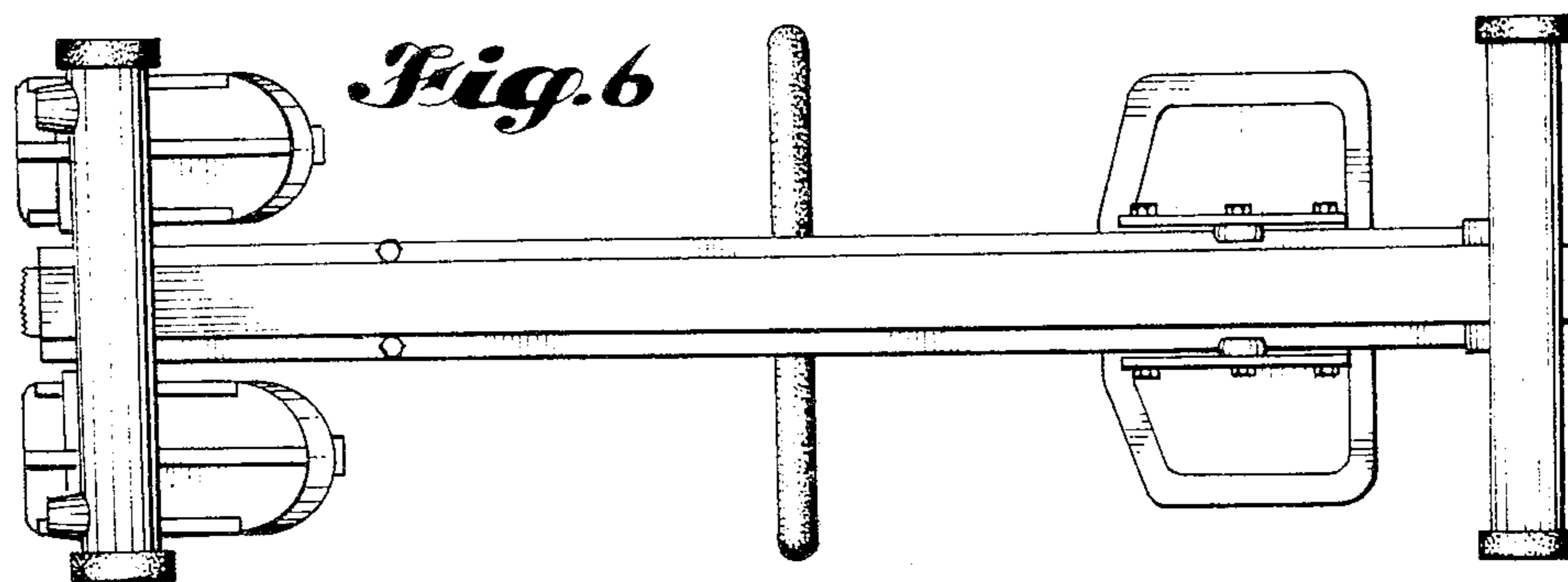
*Fig. 3*



*Fig. 4*



*Fig. 5*



*Fig. 6*