

[54] TOY GLIDER

2,599,957 6/1952 Walker 244/93
2,969,946 1/1961 Andrews 244/154

[75] Inventor: Mark J. Sampson, Atlanta, Ga.

[73] Assignee: Paradies Airport Shops, Inc., Atlanta, Ga.

[**] Term: 14 Years

[21] Appl. No.: 406,005

[22] Filed: Aug. 6, 1982

[52] U.S. Cl. D21/89

[58] Field of Search D21/82, 84, 85, 87,
D21/88, 89, 90, 91, 92, 98; 446/30, 31, 61, 62,
63, 64, 65, 68, 66, 67; 244/95, 153 R, 154, 155
R, 155 A

[56] References Cited

U.S. PATENT DOCUMENTS

D. 53,902 10/1919 Grant D21/87
D. 259,132 5/1981 Spizz D21/89
2,035,131 3/1936 Kleinberg D21/88

OTHER PUBLICATIONS

Ichimura & Co., Ltd. Catalog, 1980, p. 15, #20854
"Space Falcon".

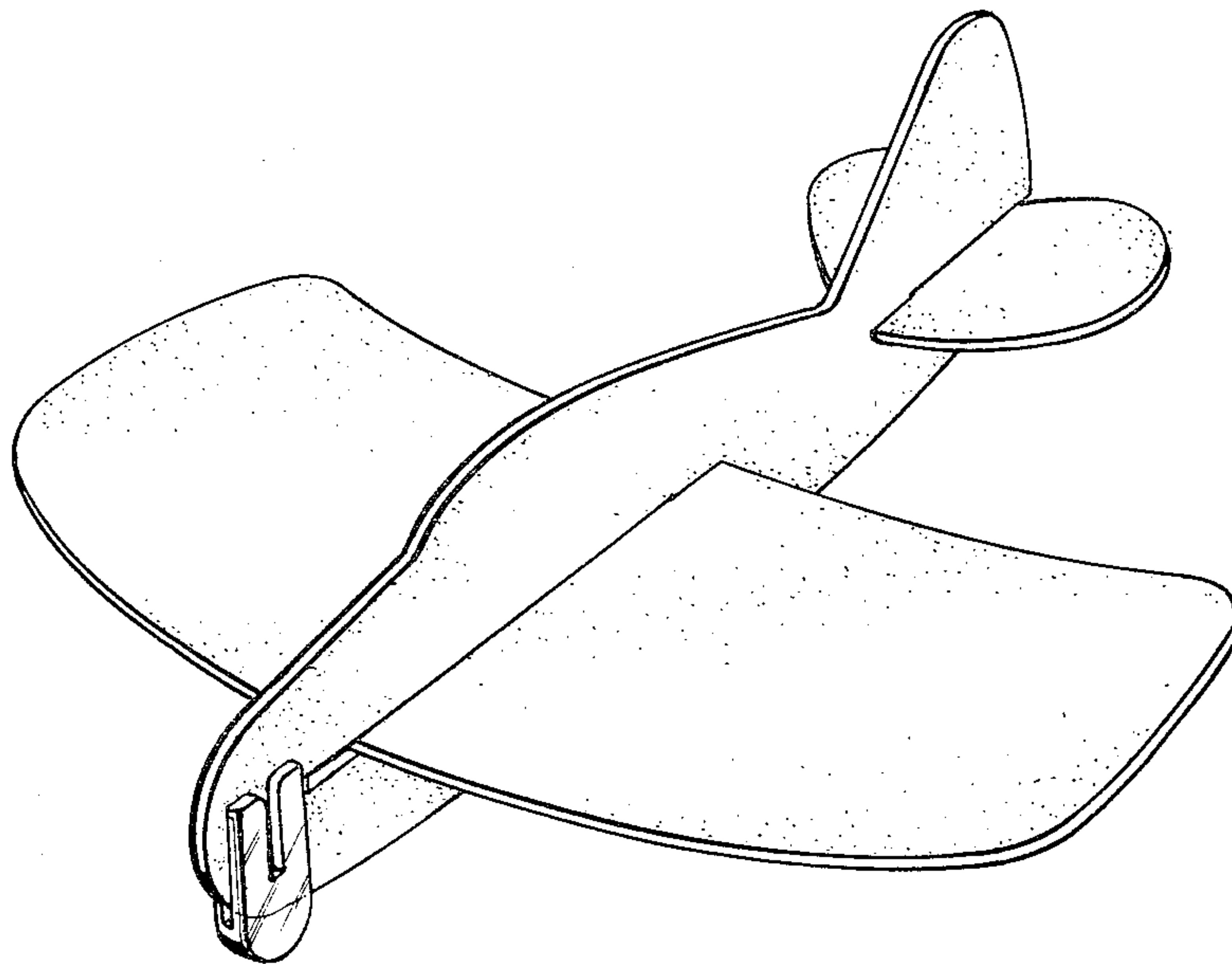
Primary Examiner—Charles A. Rademaker
Attorney, Agent, or Firm—Newton, Hopkins & Ormsby

[57] CLAIM

The ornamental design for a toy glider, as shown and described.

DESCRIPTION

FIG. 1 is a perspective view of a toy glider showing my new design;
FIG. 2 is a top plan view thereof;
FIG. 3 is a bottom plan view thereof;
FIG. 4 is a side elevational view thereof, the side opposite being a mirror image;
FIG. 5 is a front elevational view thereof;
FIG. 6 is a rear elevational view thereof.



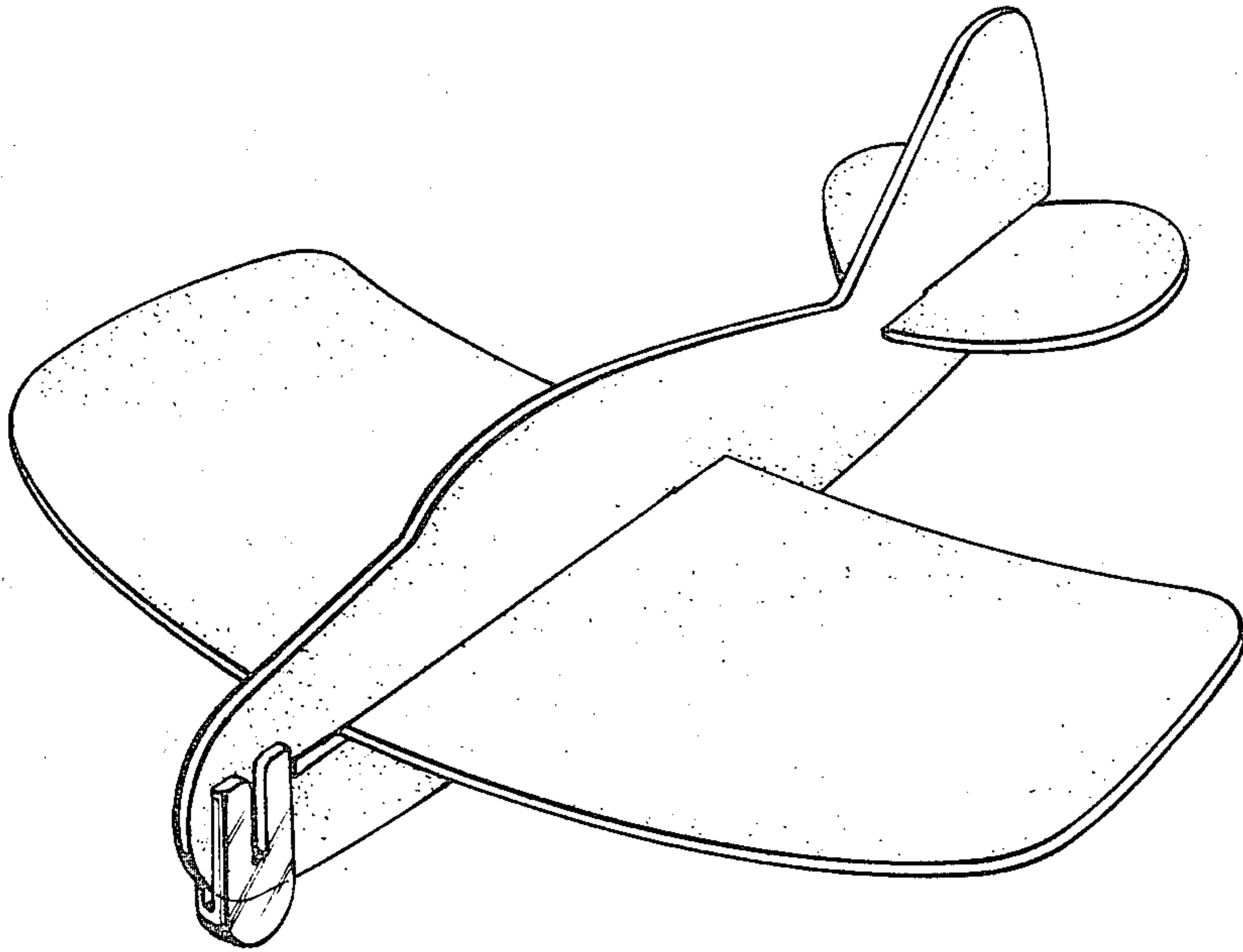


FIG 1

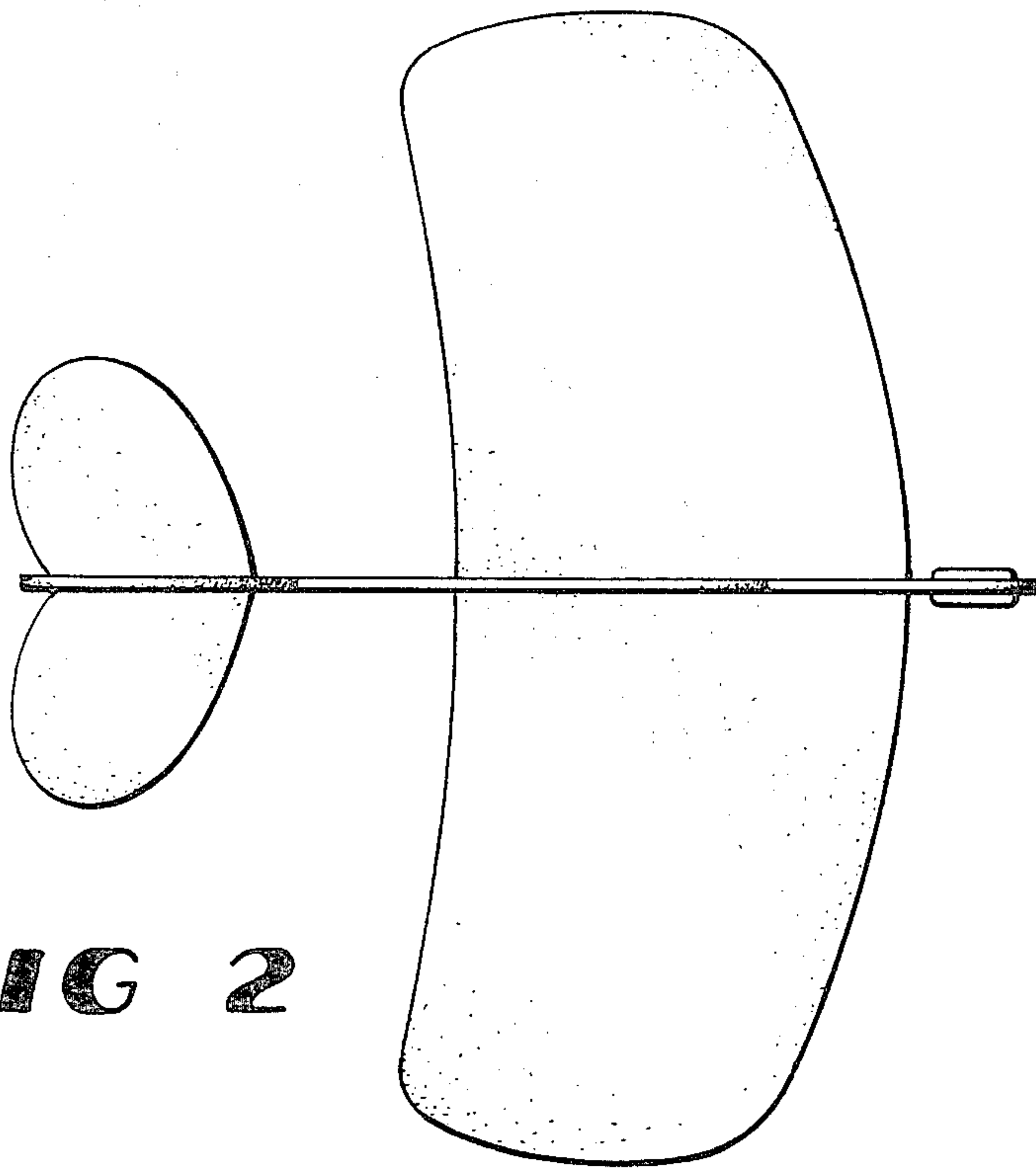


FIG 2

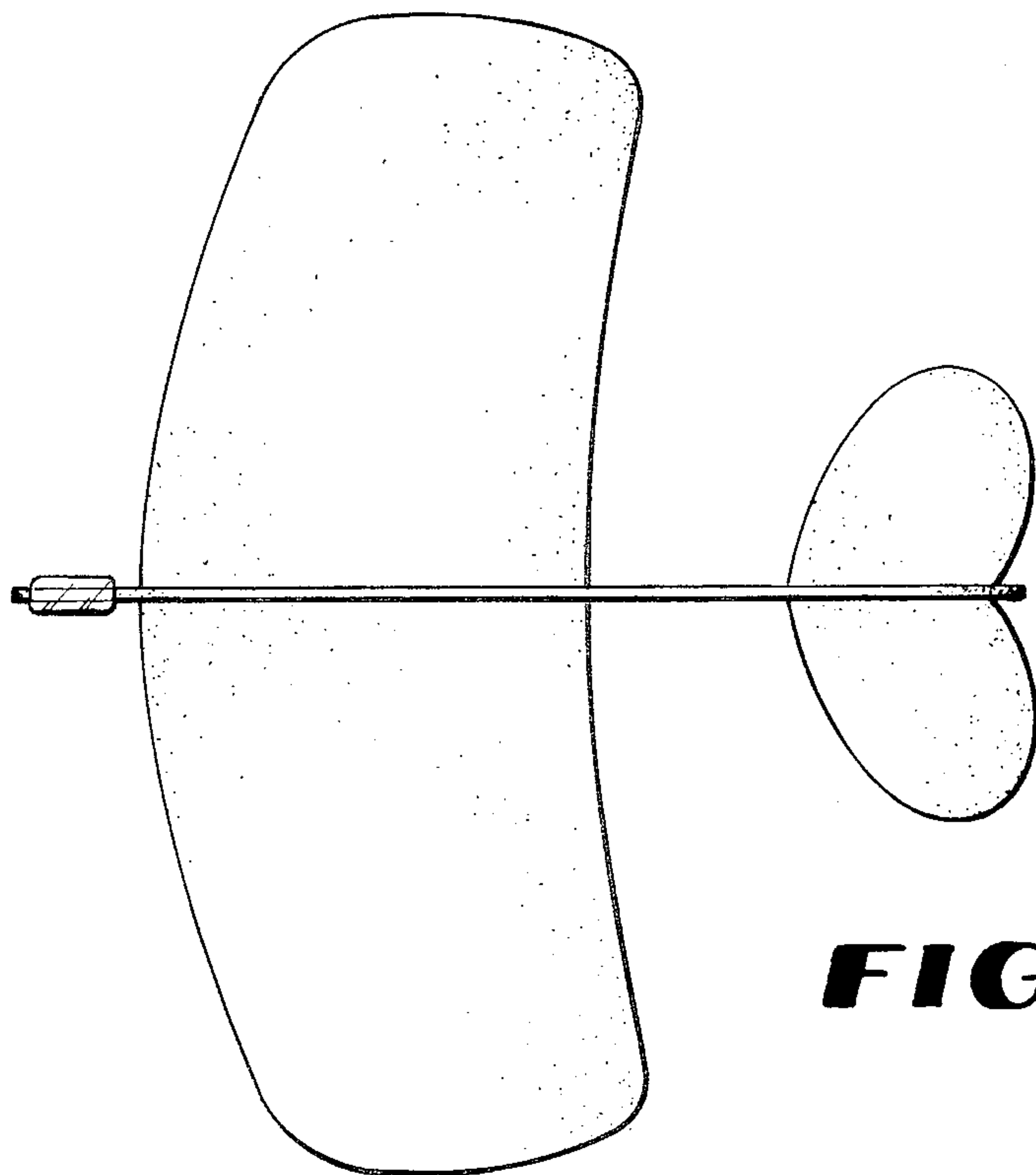


FIG 3

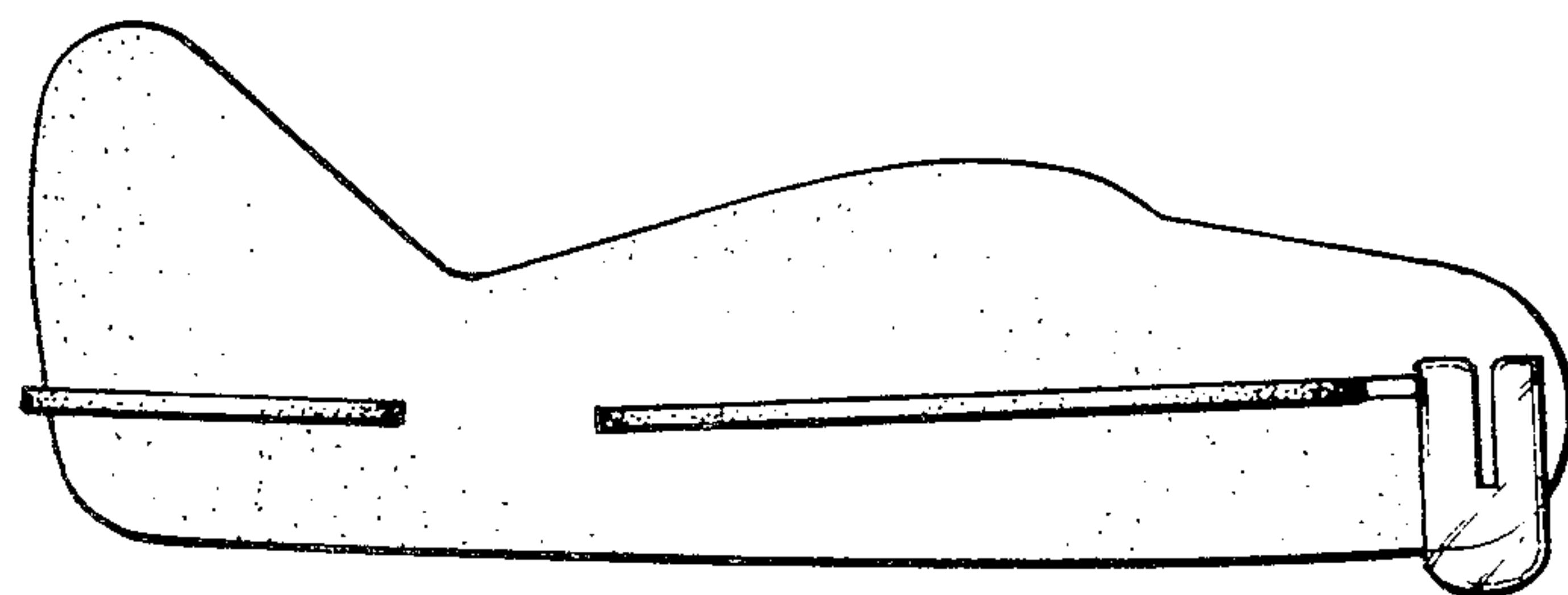


FIG 4

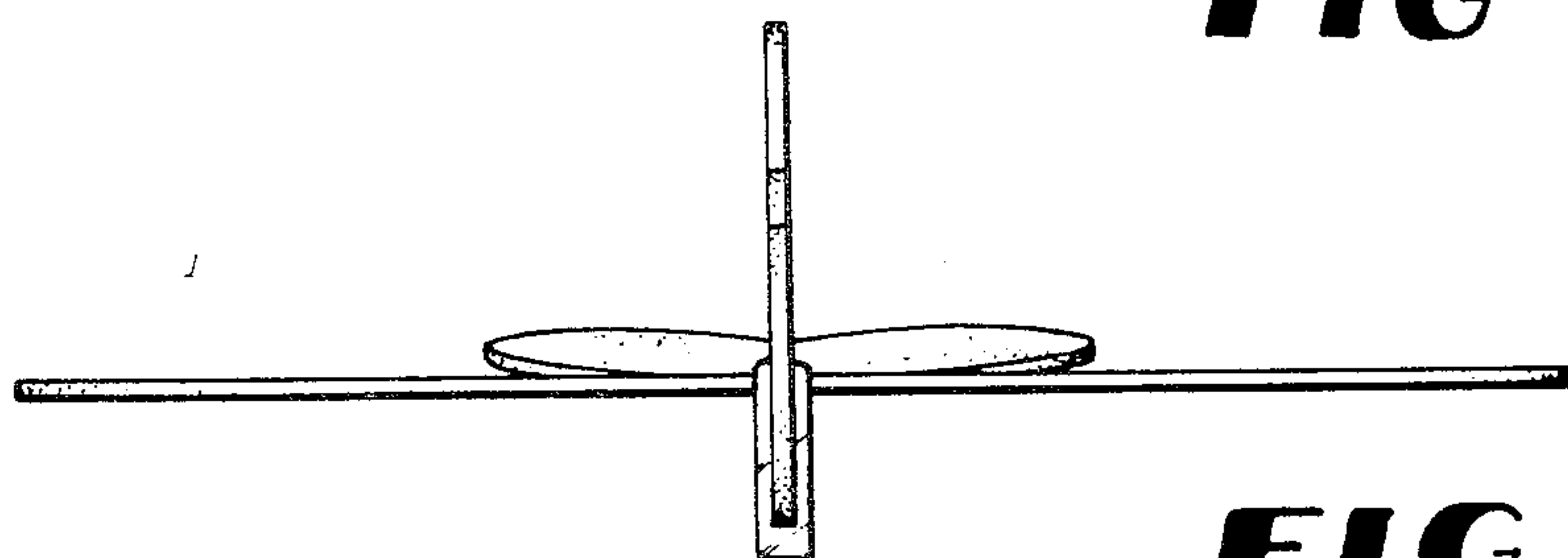


FIG 5

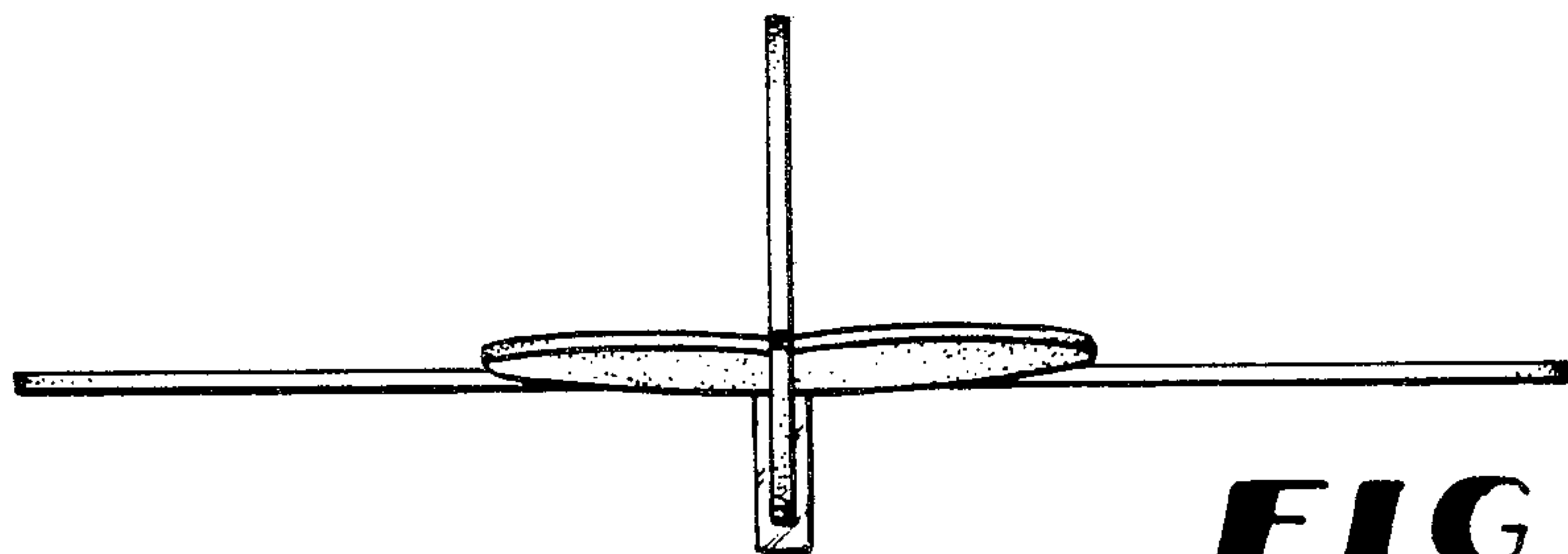


FIG 6