

- [54] **PALETTE CASE**
- [76] Inventor: **Jeffery L. Jones**, 3341 Towerwood, Ste. 201, Dallas, Tex. 75234
- [**] Term: **14 Years**
- [21] Appl. No.: **369,175**
- [22] Filed: **Apr. 16, 1982**
- [52] U.S. Cl. **D19/35; D9/424; D9/425**
- [58] Field of Search **D19/35, 75, 92; D7/38; 206/1.7, 1.8, 566; D9/424, 425**

3,945,490 3/1976 Thompson 206/1.7

FOREIGN PATENT DOCUMENTS

642137 5/1964 Belgium 206/1.7

Primary Examiner—George P. Word
Attorney, Agent, or Firm—Gerald G. Crutsinger; John F. Booth; Monty L. Ross

[57] **CLAIM**

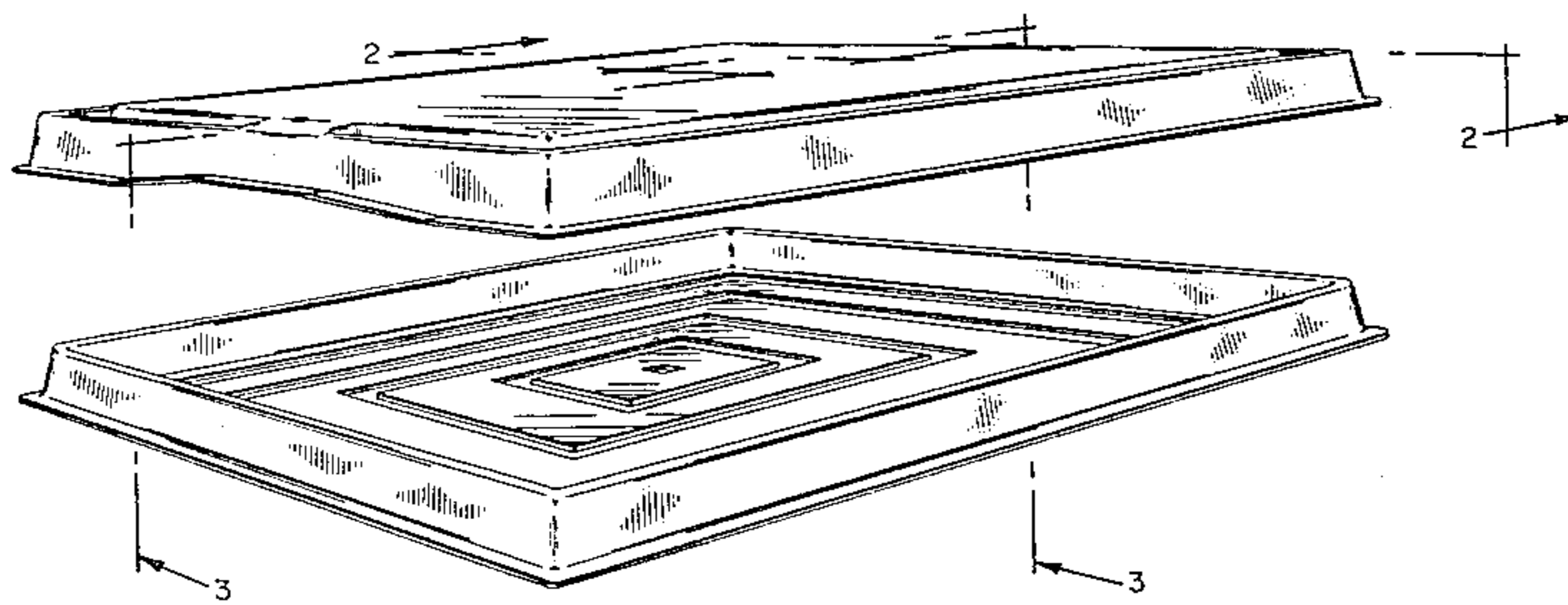
The ornamental design for palette case, as shown and described.

DESCRIPTION

FIG. 1 is an exploded perspective view of a palette case showing my new design;
FIG. 2 is an enlarged scale cross-sectional view of the top portion of the palette case taken along line 2—2 of FIG. 1; and
FIG. 3 is an enlarged scale cross-sectional view of the assembled top and bottom portions taken along line 3—3 of FIG. 1.

[56] **References Cited**
U.S. PATENT DOCUMENTS

D. 165,128	11/1951	Blacher	D19/35
D. 190,974	7/1961	Salis	D9/425
D. 264,096	4/1982	Jones	D19/35
3,151,799	10/1964	Engles, Jr. et al.	D9/425
3,650,589	3/1972	Linger	312/231
3,885,666	5/1975	Maxwell	206/1.7



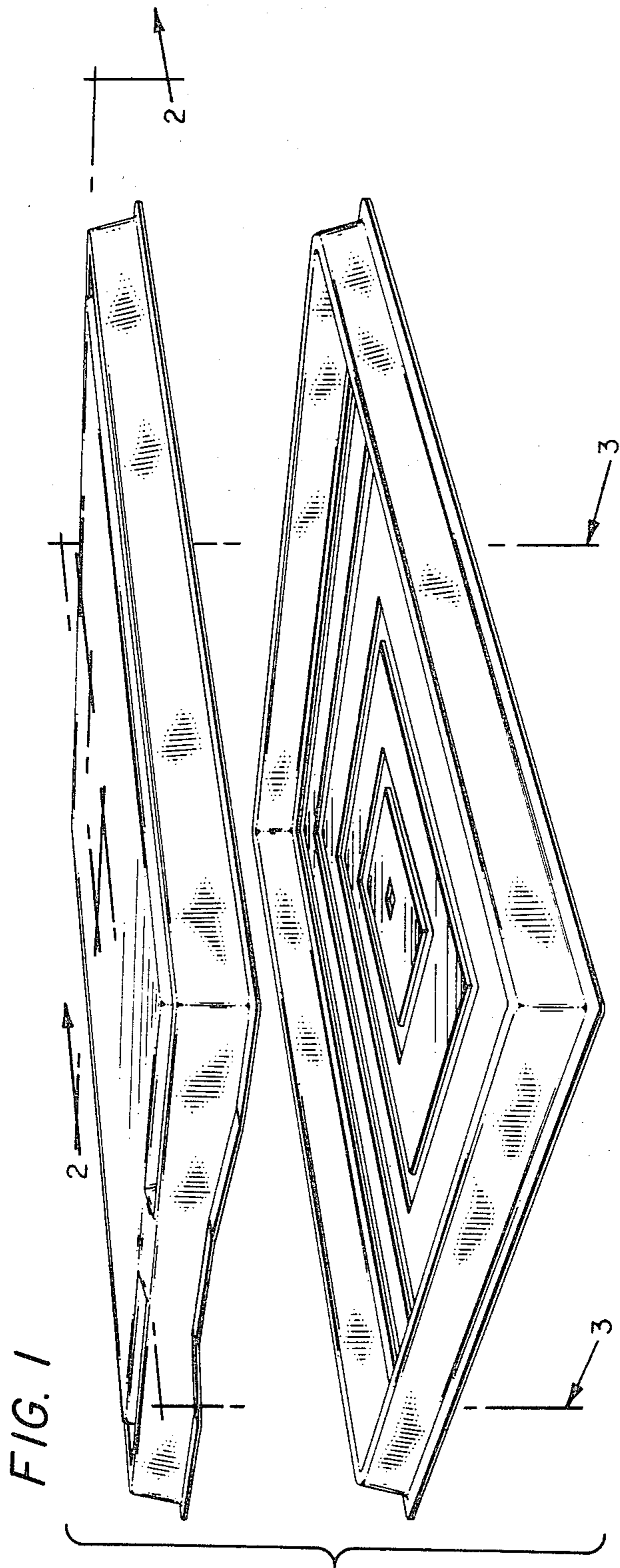


FIG. 2

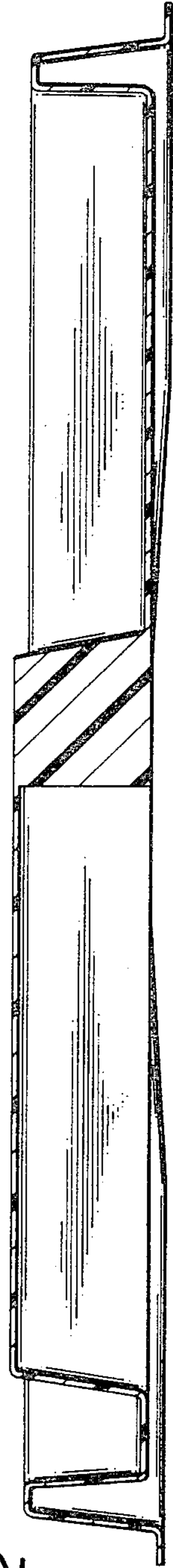


FIG. 3

