

[54] POWDER CARTRIDGE

[75] Inventor: Lowell E. Sabin, Spring Lake Park, Minn.

[73] Assignee: Minnesota Mining & Manufacturing Company, St. Paul, Minn.

[\*\*] Term: 14 Years

[21] Appl. No.: 383,762

[22] Filed: Jun. 1, 1982

[52] U.S. Cl. .... D16/32

[58] Field of Search ..... D16/32, 37, 33, 38, D16/27; 354/275; D9/367, 373-376; 222/DIG. 1, 16.1; 206/229

[56] References Cited

U.S. PATENT DOCUMENTS

D. 238,658 2/1976 Stone ..... D16/27

D. 253,810 1/1980 Stone ..... D16/37  
D. 272,251 1/1984 Yoshihama ..... D16/32

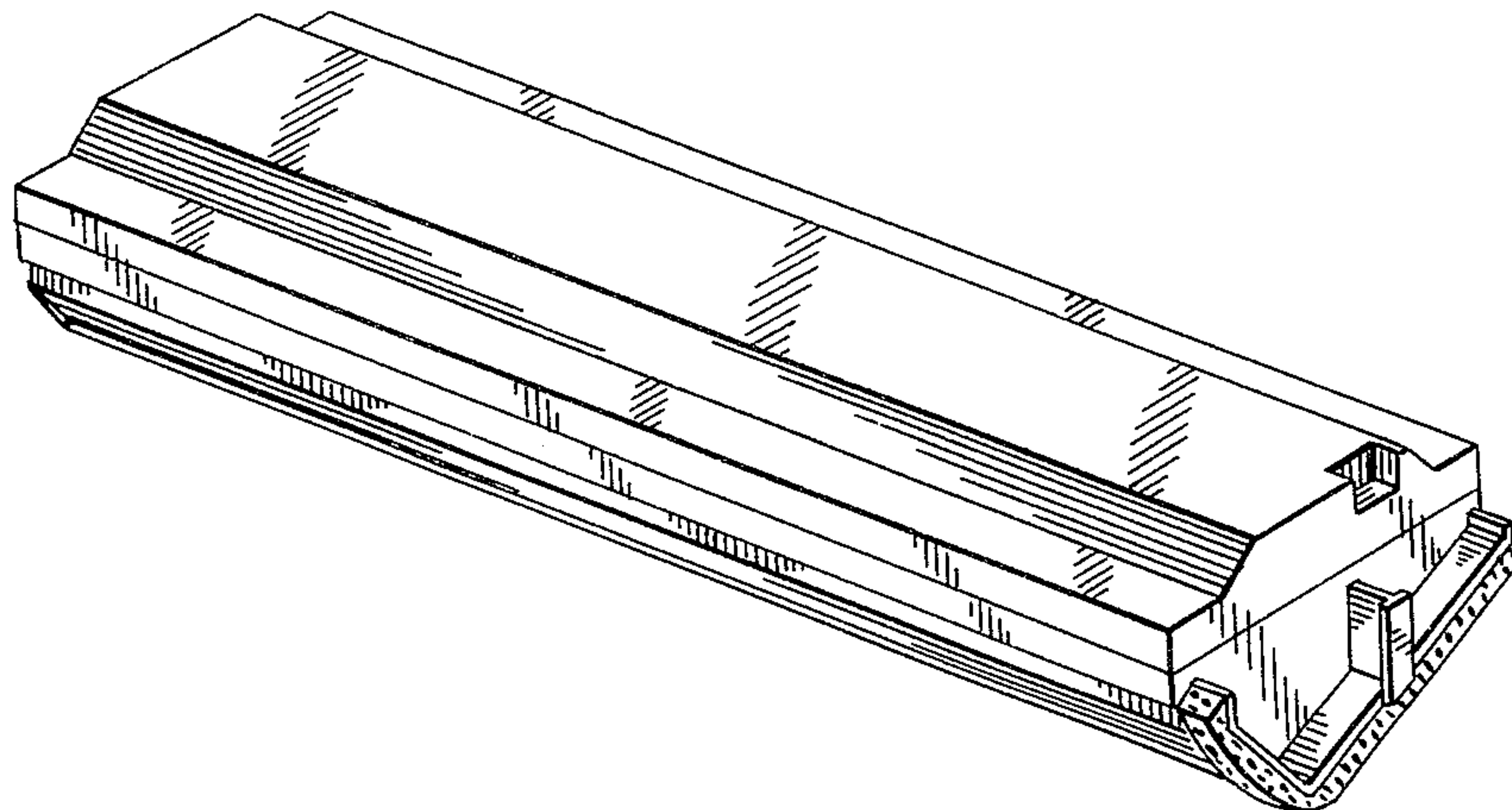
Primary Examiner—Nelson C. Holtje  
Attorney, Agent, or Firm—Donald M. Sell; James A. Smith; John C. Barnes

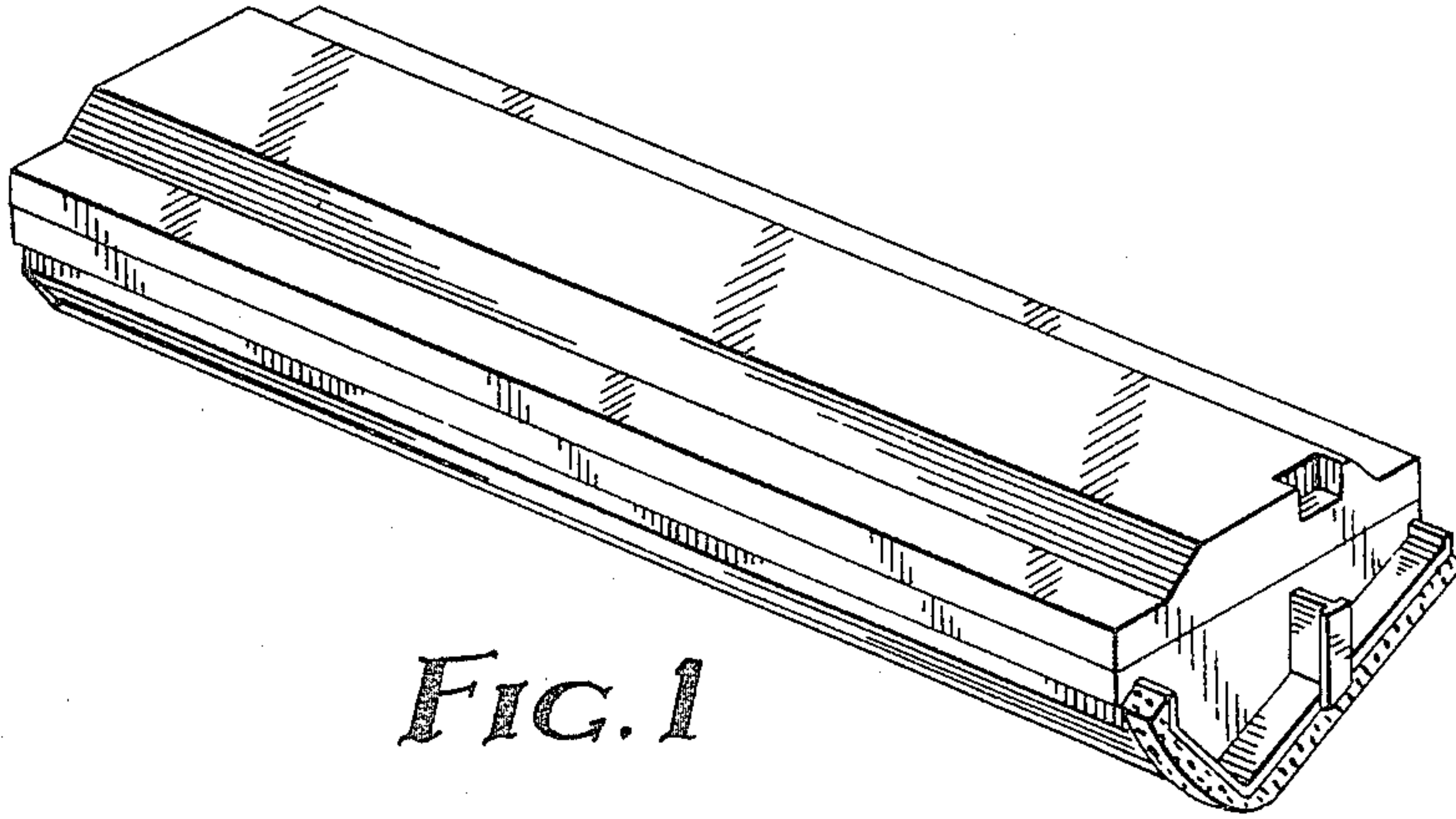
[57] CLAIM

The ornamental design for a powder cartridge, substantially as shown.

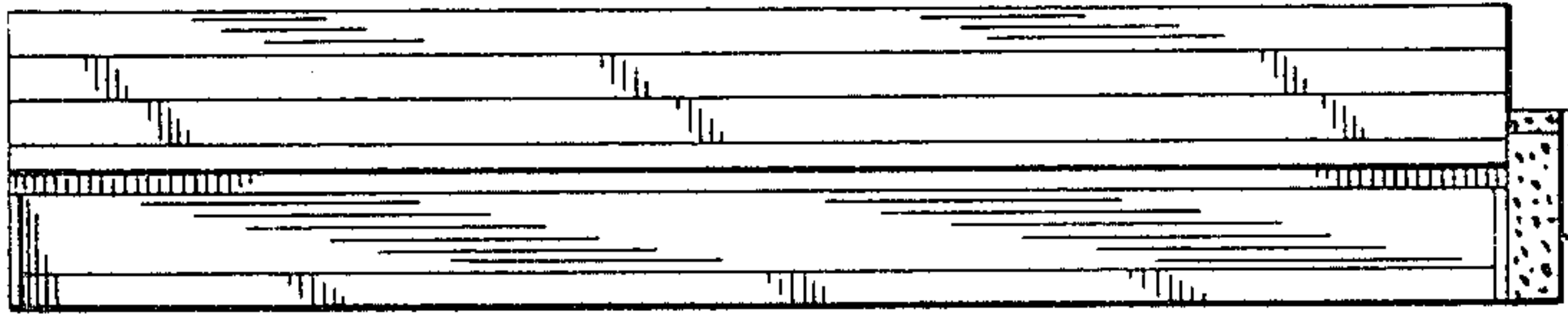
DESCRIPTION

FIG. 1 is a top and left-front perspective view of a powder cartridge showing my new design; FIG. 2 is a left side elevational view thereof; FIG. 3 is a right side elevational view thereof; FIG. 4 is a top plan view thereof; FIG. 5 is a front elevational view thereof; FIG. 6 is a rear elevational view thereof; and FIG. 7 is a bottom plan view thereof.

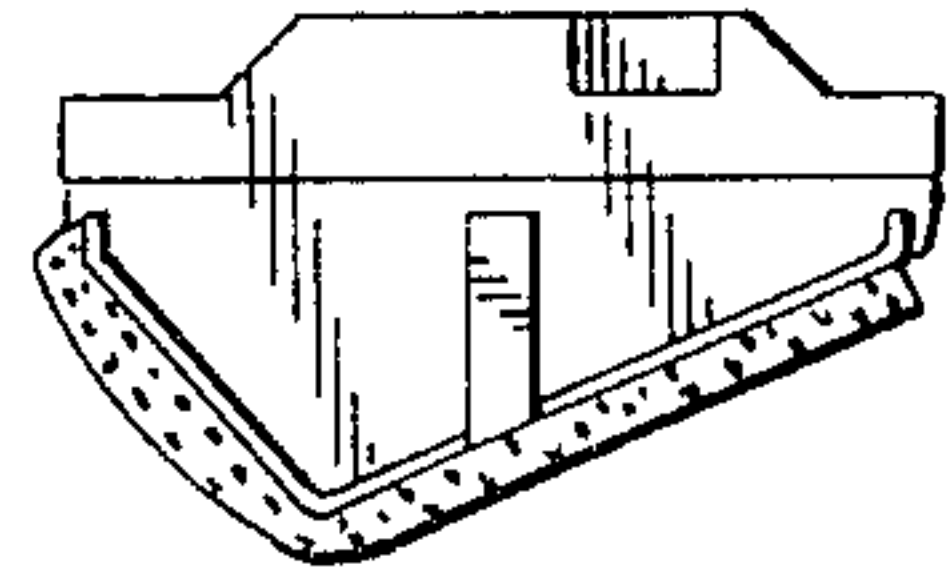




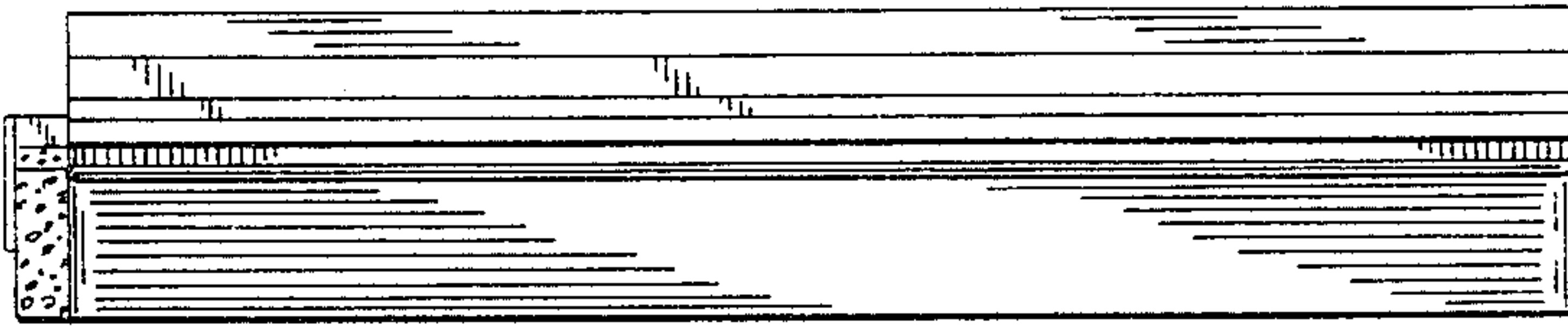
*FIG. 1*



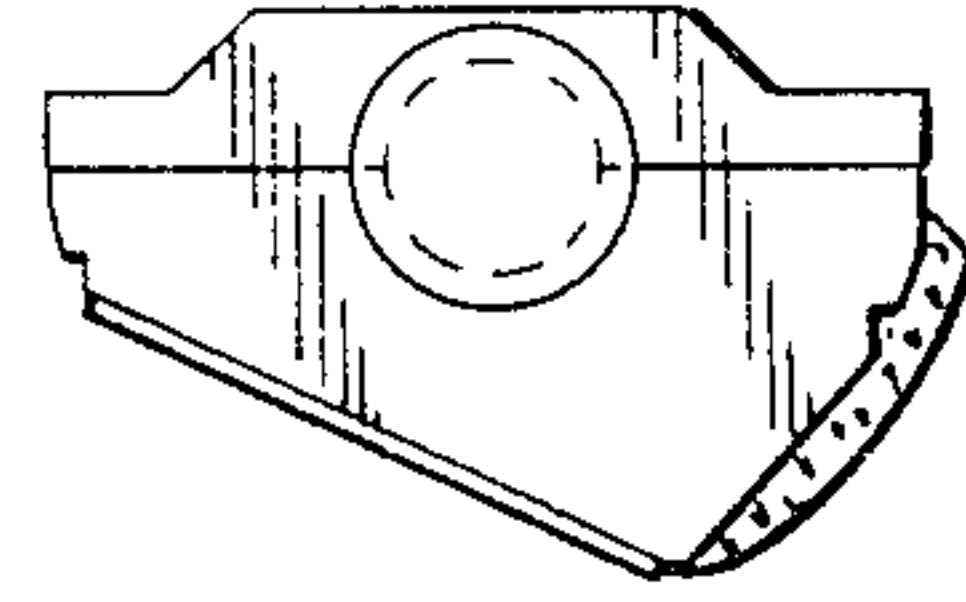
*FIG. 2*



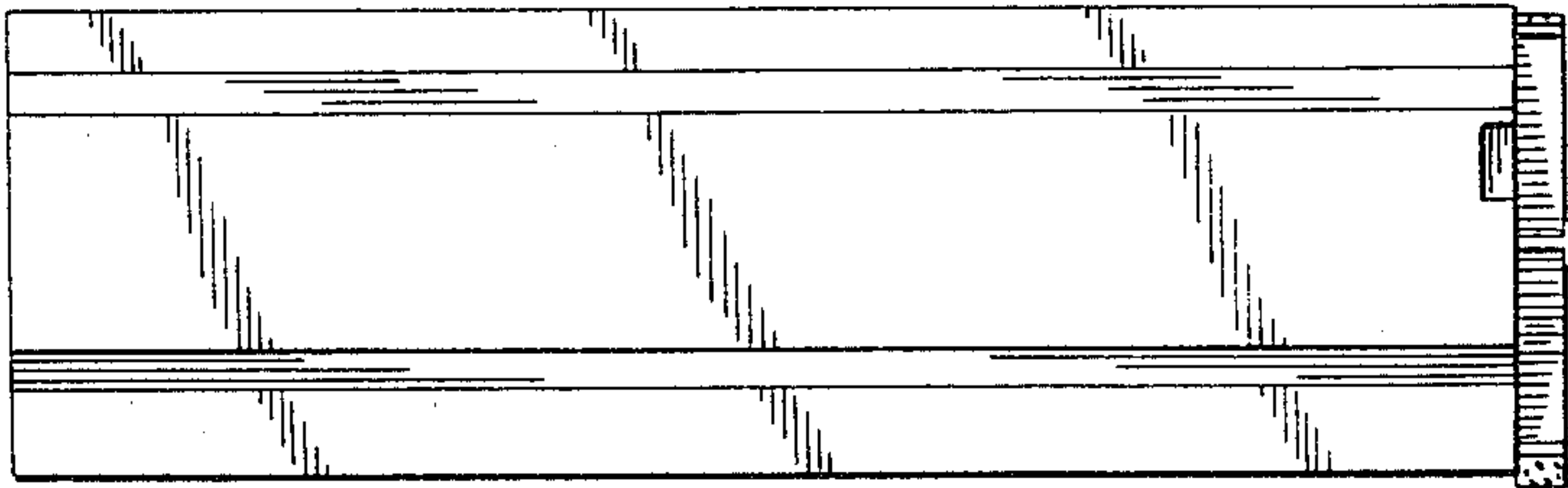
*FIG. 5*



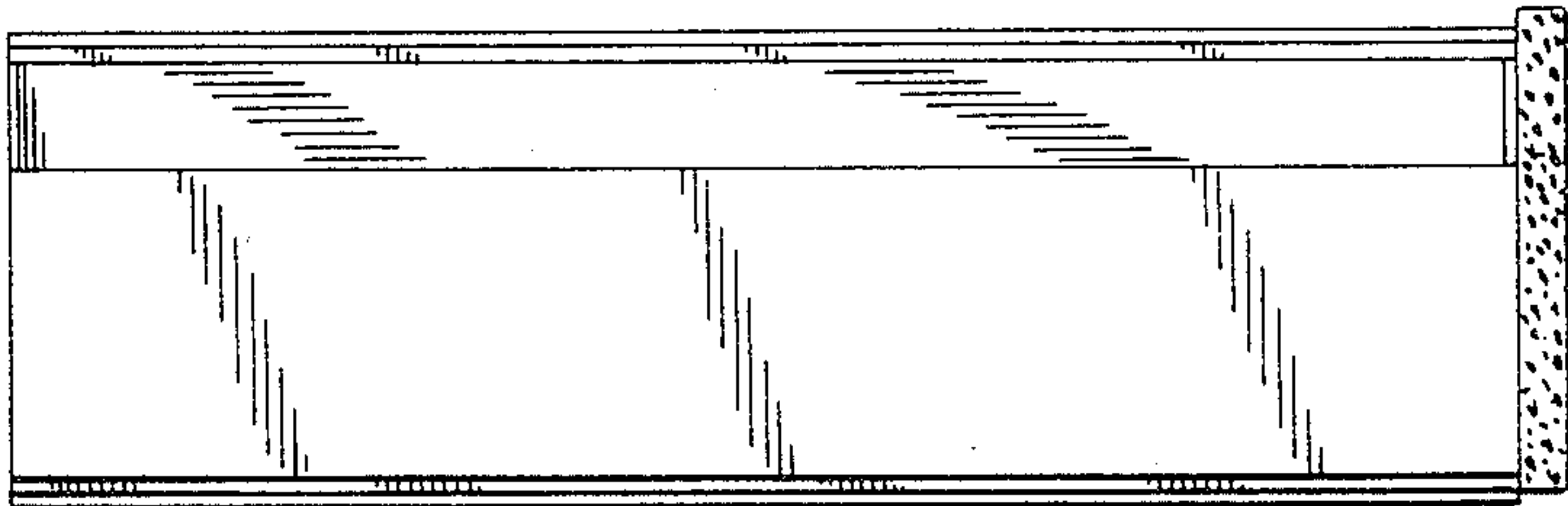
*FIG. 3*



*FIG. 6*



*FIG. 4*



*FIG. 7*