

[54] COMBINED ROUTER AND BEVELER FOR GLASS

4,322,915 4/1982 Kindig 51/3

[76] Inventor: William F. Baer, 1509 N. Darcy St., Simi Valley, Calif. 93065

Primary Examiner—B. J. Bullock
Attorney, Agent, or Firm—Stanley E. Anderson, Jr.

[**] Term: 14 Years

[57] CLAIM

The ornamental design for a combined router and beveler for glass, as shown.

[21] Appl. No.: 409,359

DESCRIPTION

[22] Filed: Aug. 19, 1982

[52] U.S. Cl. D15/124; D15/127

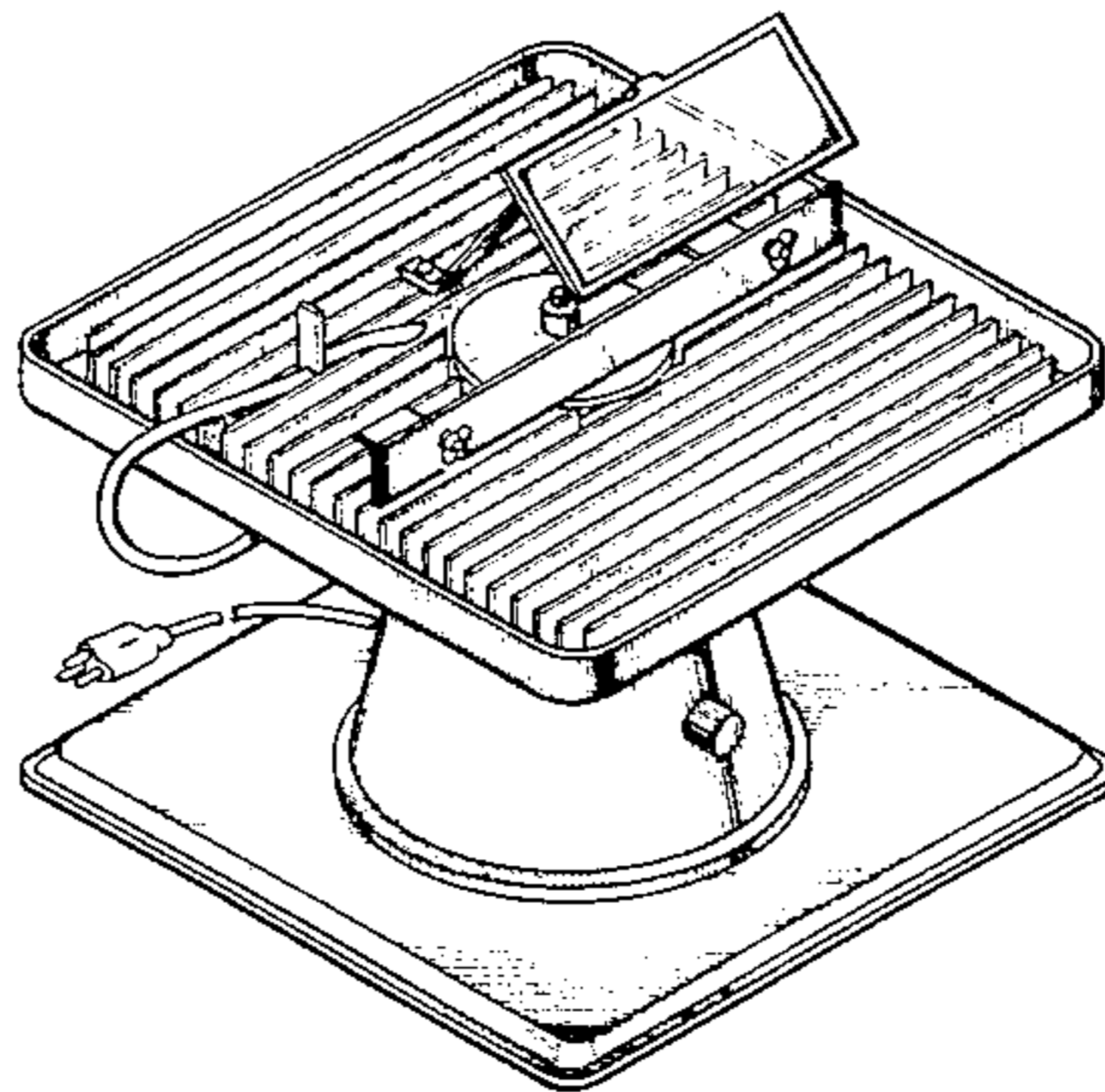
[58] Field of Search D15/122, 124, 125, 127; 51/72 R, 3, 283 E

FIG. 1 is a perspective view of a combined router and beveler for glass showing my new design;
FIG. 2 is a front elevational view thereof;
FIG. 3 is a side elevational view taken from the left of FIG. 1;
FIG. 4 is a side elevational view taken from the right of FIG. 1;
FIG. 5 is a rear elevational view thereof;
FIG. 6 is a bottom plan view thereof;
FIG. 7 is a top plan view thereof.

[56] References Cited

U.S. PATENT DOCUMENTS

- D. 101,760 11/1936 Annick D15/127
- 2,790,271 4/1957 Samson 51/72 R
- 3,187,467 6/1965 Cortesi 51/283 E



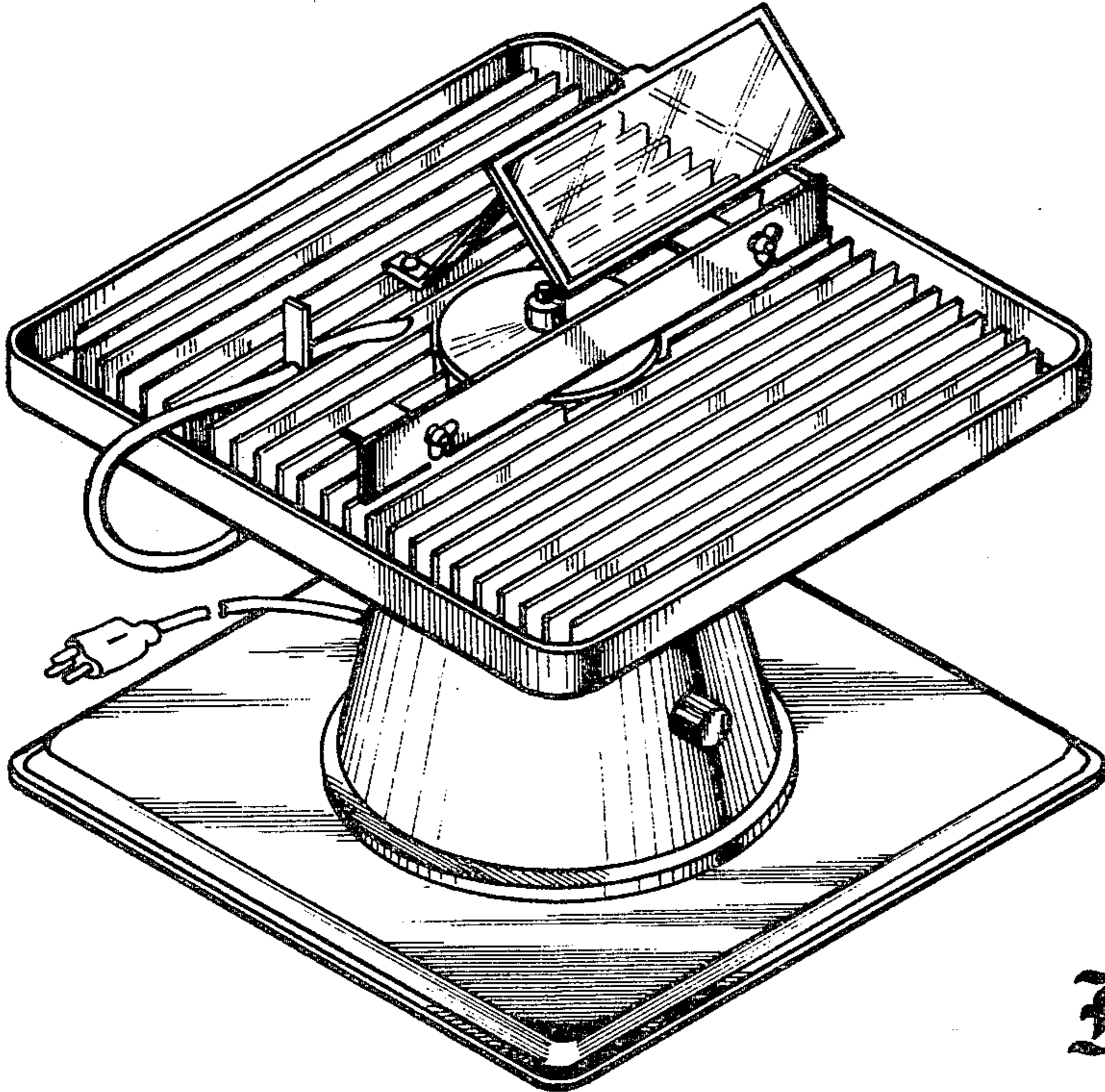


Fig. 1.

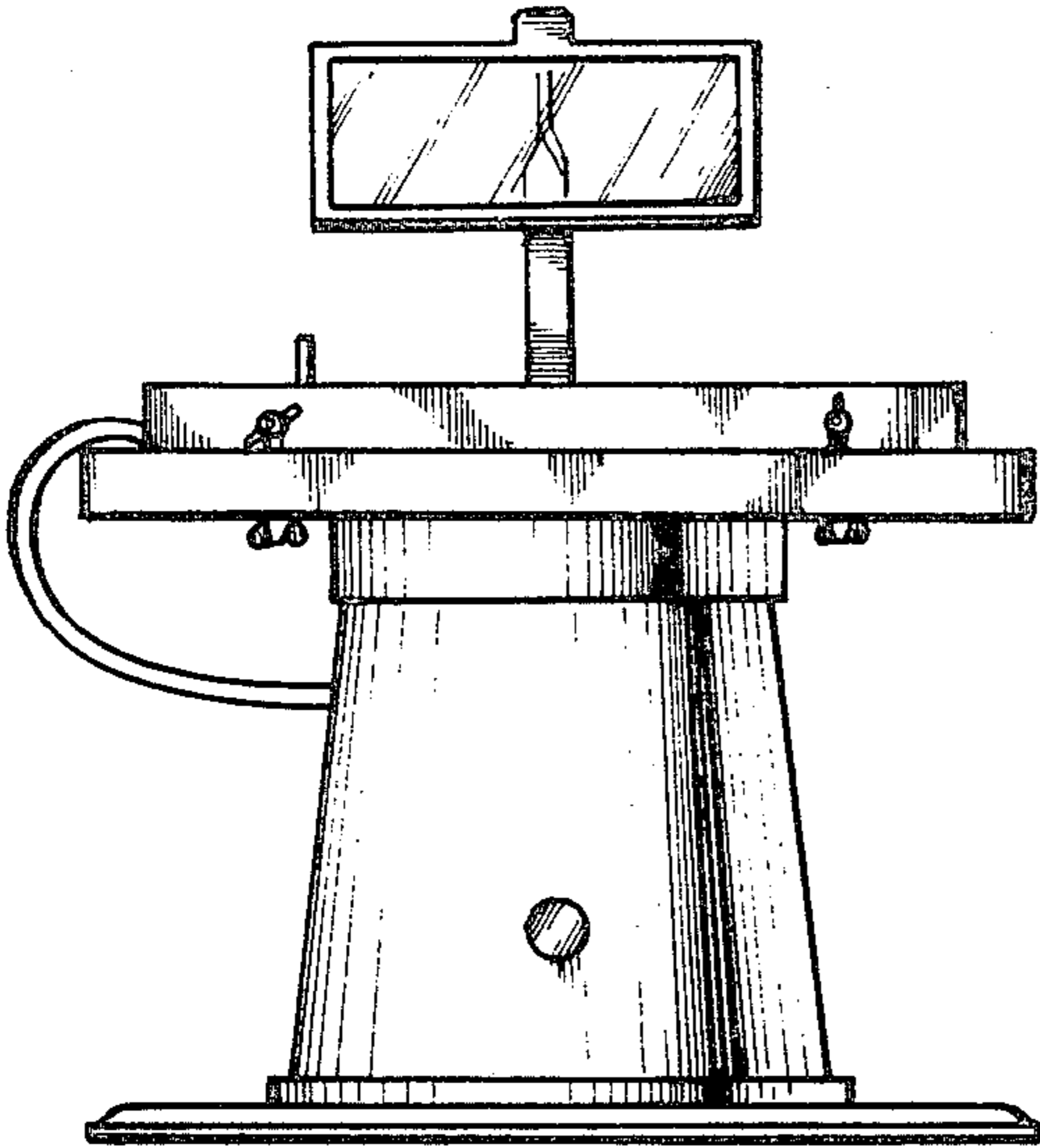


Fig. 2.

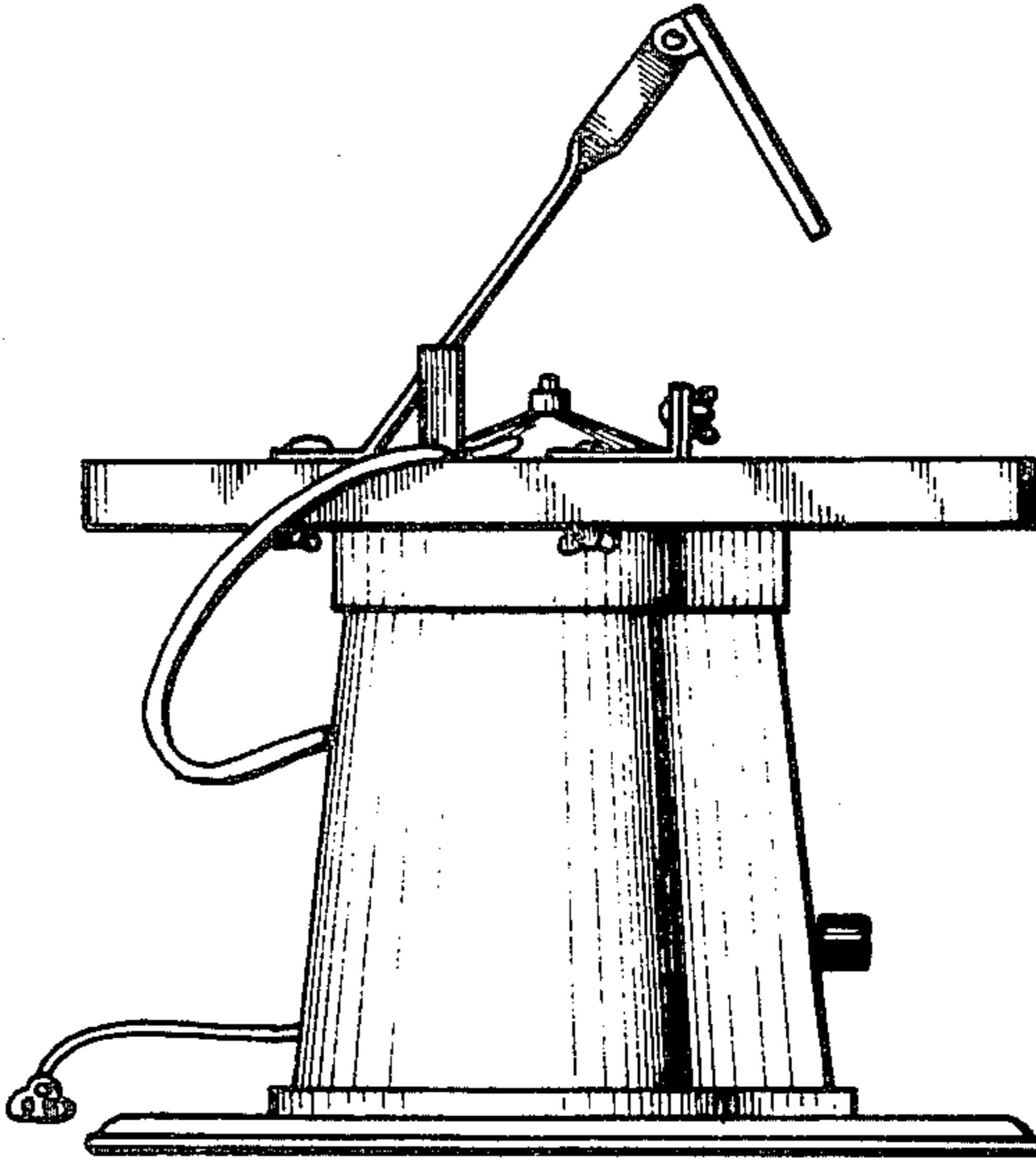


Fig. 3.

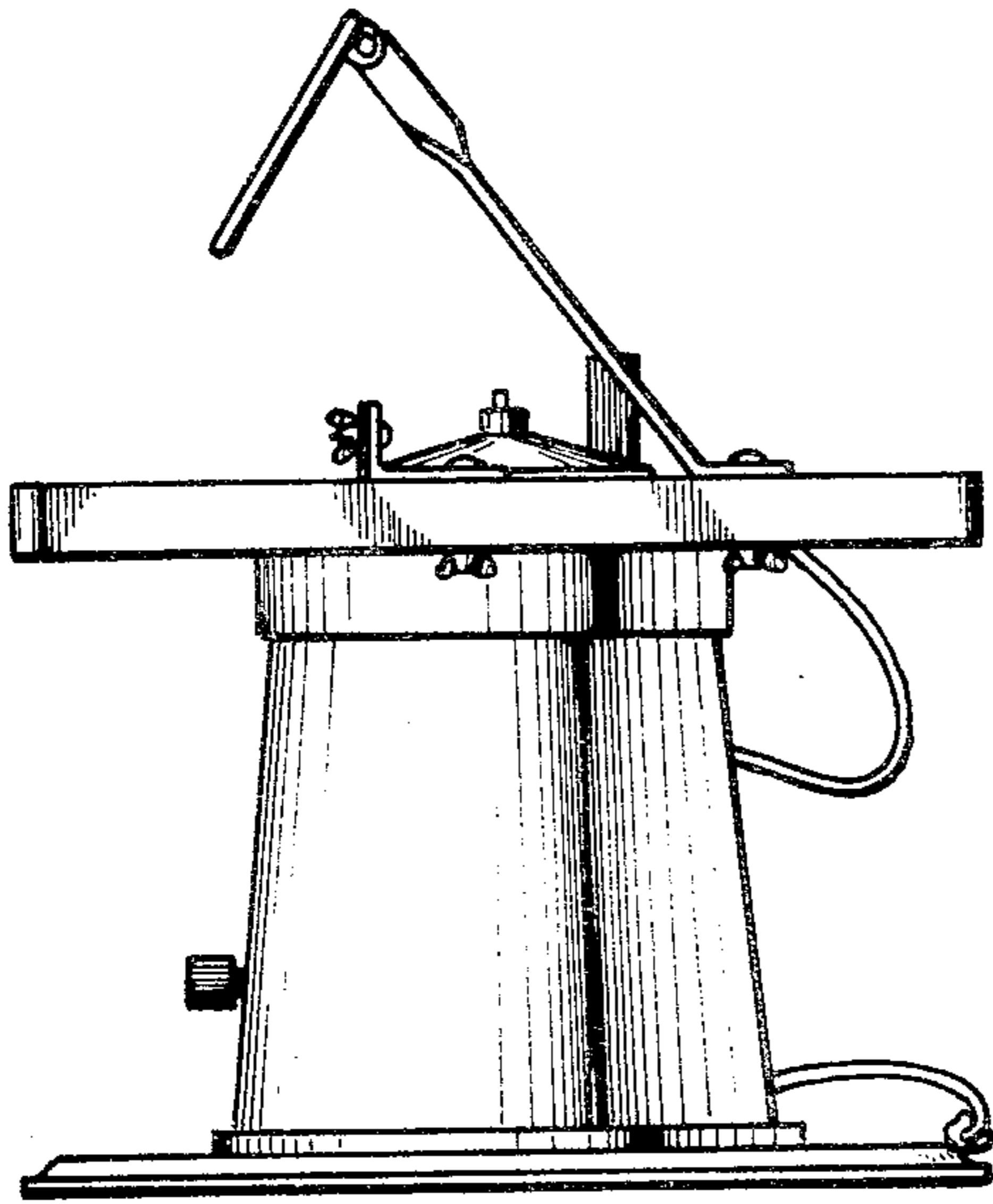


Fig. 4.

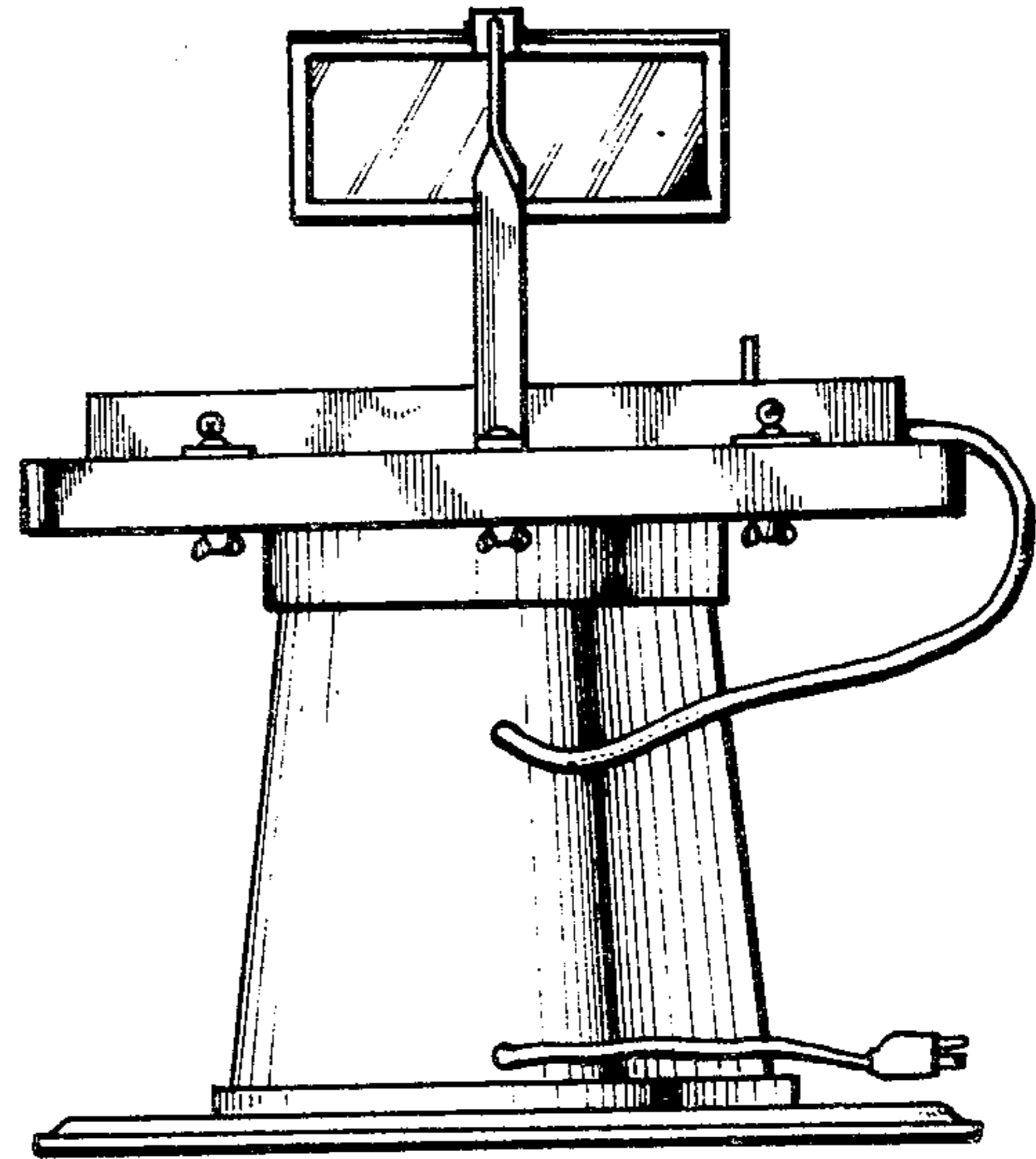


Fig. 5.

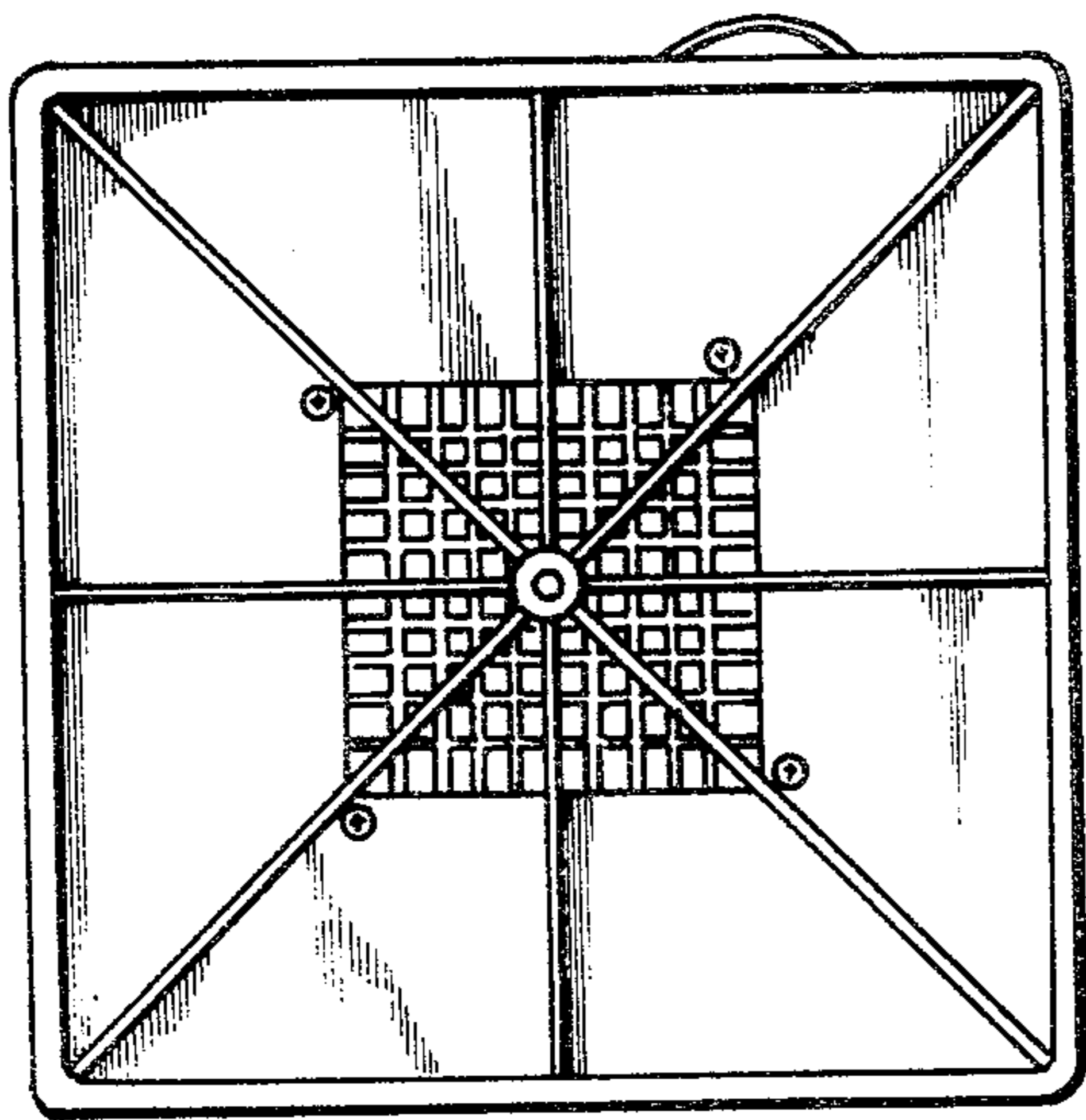


Fig. 6.

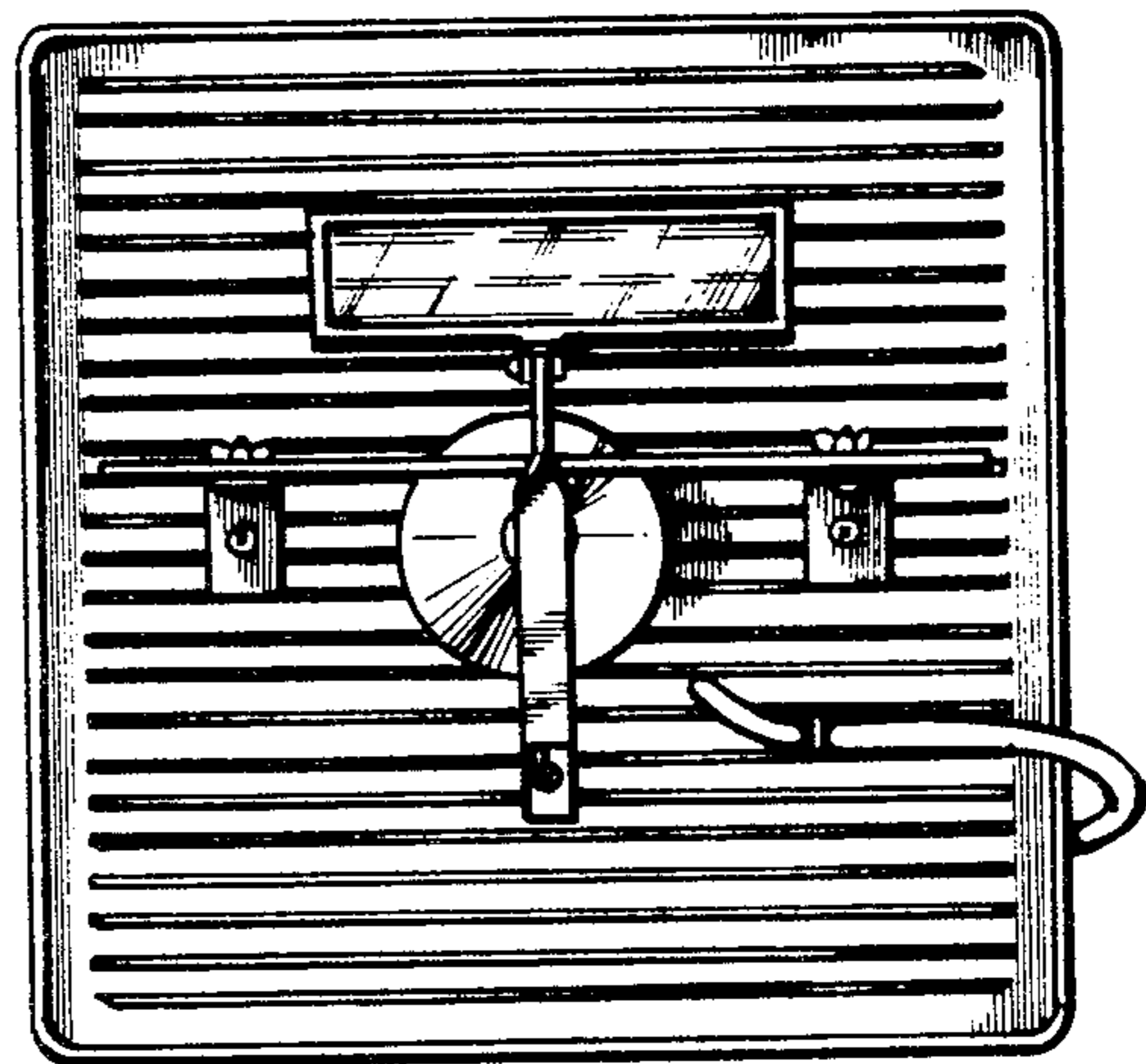


Fig. 7.