

[54] SOLAR POWERED VALVE CONTROL UNIT

[75] Inventor: Mark A. Schnatzmeyer, Lewisville, Tex.

[73] Assignee: Otis Engineering Corporation, Dallas, Tex.

[**] Term: 14 Years

[21] Appl. No.: 412,381

[22] Filed: Aug. 27, 1982

[52] U.S. Cl. D15/21

[58] Field of Search D15/10, 21, 28; 126/47, 126/46, 437 C

[56] References Cited

U.S. PATENT DOCUMENTS

- D. 232,579 8/1974 Landherr D15/138
- D. 232,971 9/1974 Dixon D15/138

4,253,445	3/1981	Wilson	126/437
4,313,423	2/1982	Mahdjuri	126/417
4,338,922	7/1982	Moore	126/417
4,421,943	12/1983	Withjack	126/417

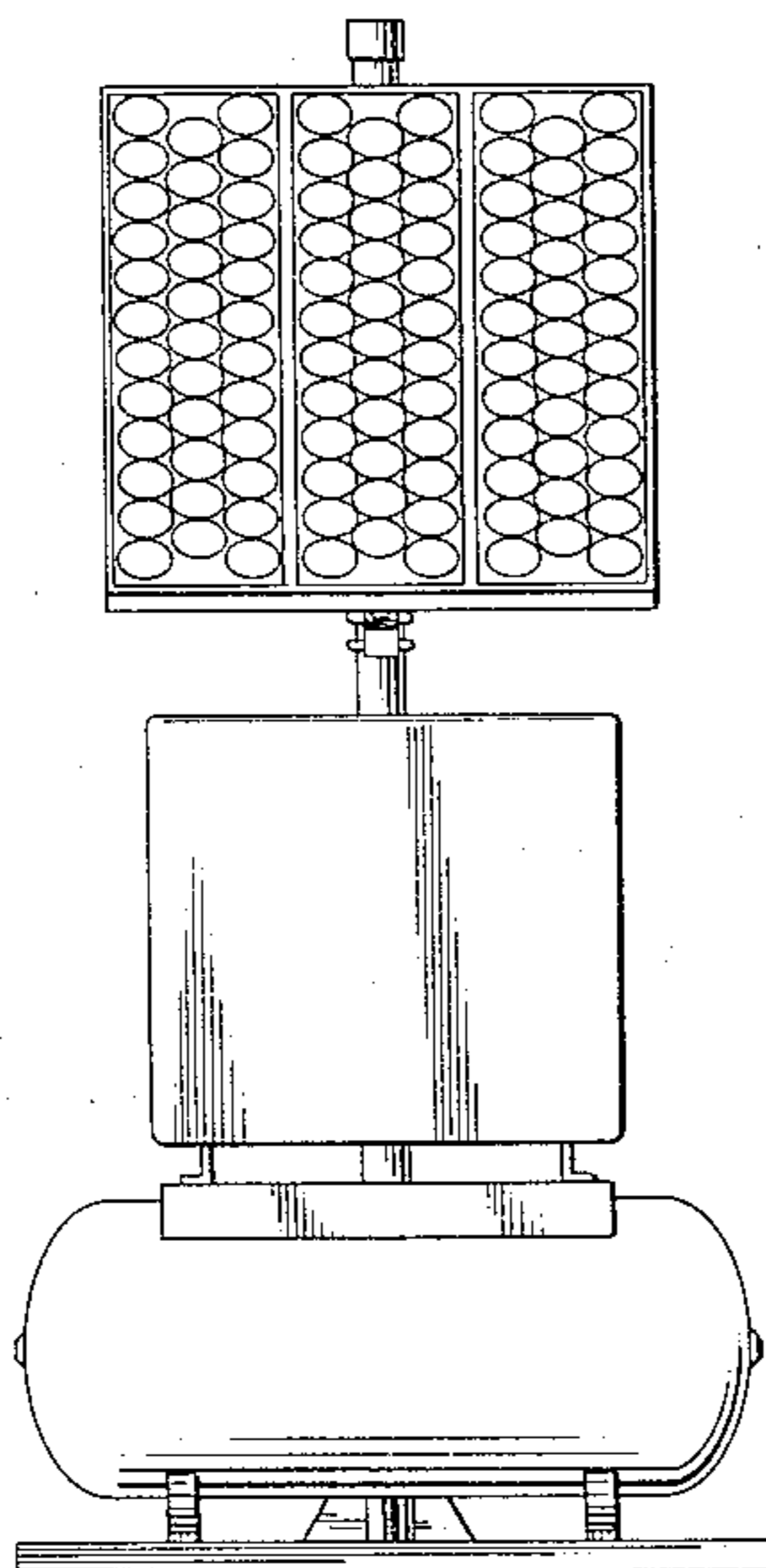
Primary Examiner—B. J. Bullock
 Assistant Examiner—Suzanne N. Gitlin
 Attorney, Agent, or Firm—Thomas R. Felger

[57] CLAIM

The ornamental design for a solar powered valve control unit, as shown.

DESCRIPTION

FIG. 1 is a front elevational view of a solar powered valve control unit showing my new design;
 FIG. 2 is a side elevational view taken from the left of FIG. 1;
 FIG. 3 is a rear elevational view thereof;
 FIG. 4 is a top plan view thereof;
 FIG. 5 is a bottom plan view thereof.



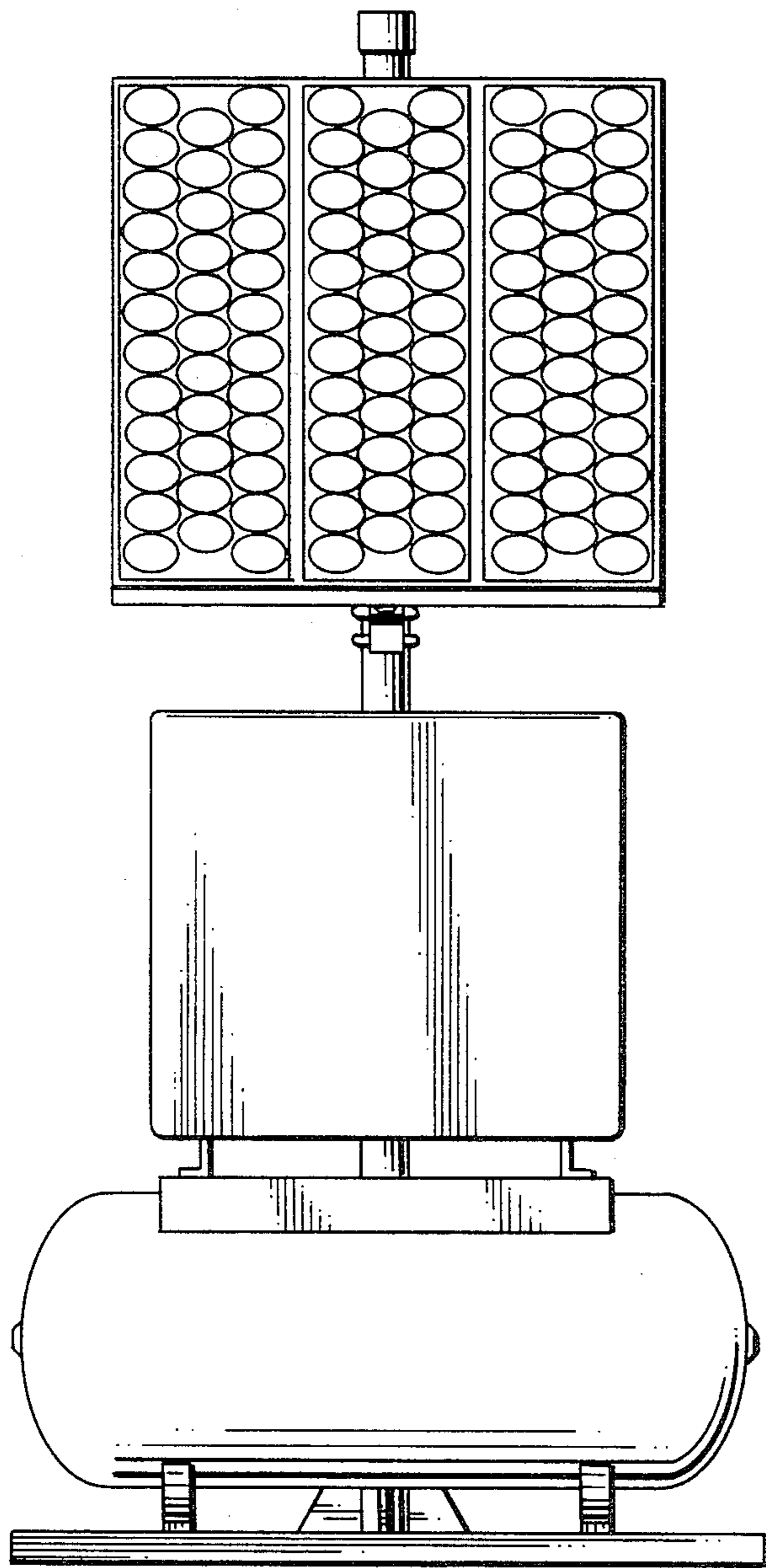


FIG. 1

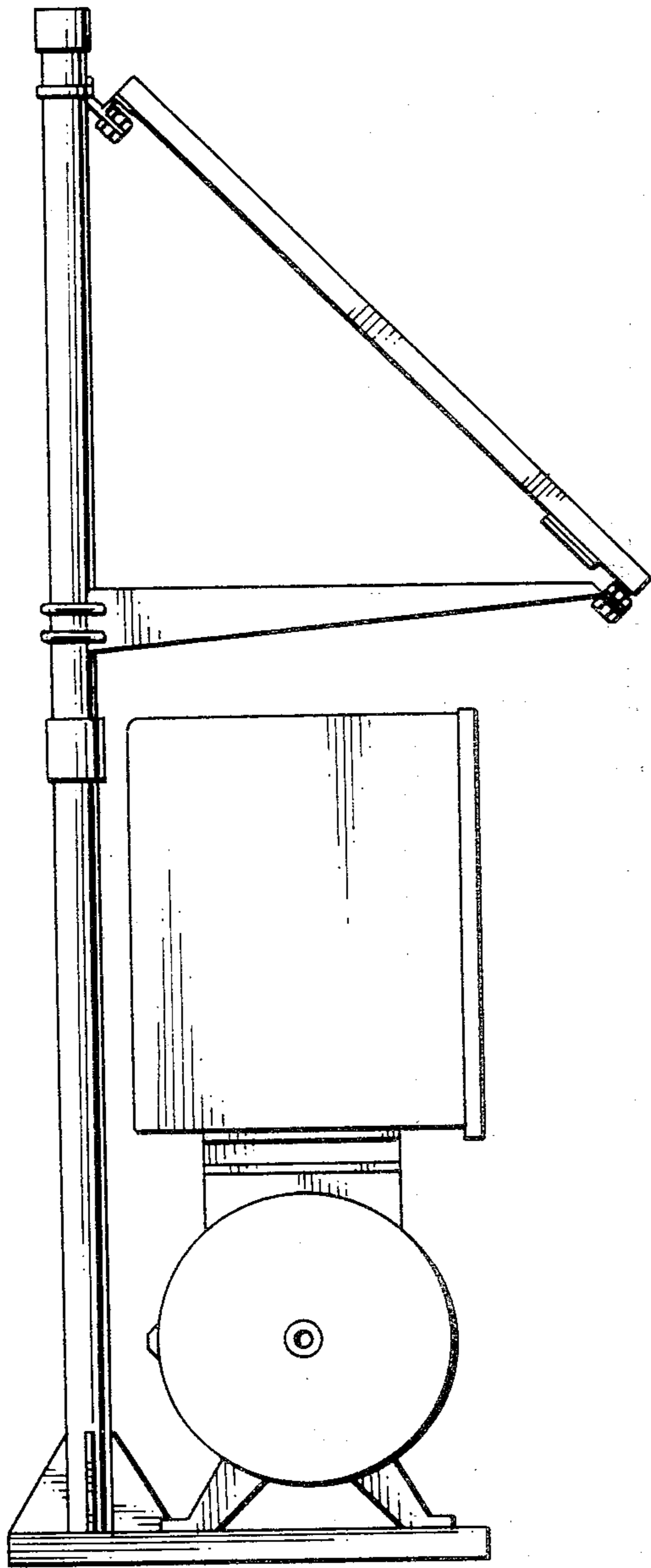


FIG. 2

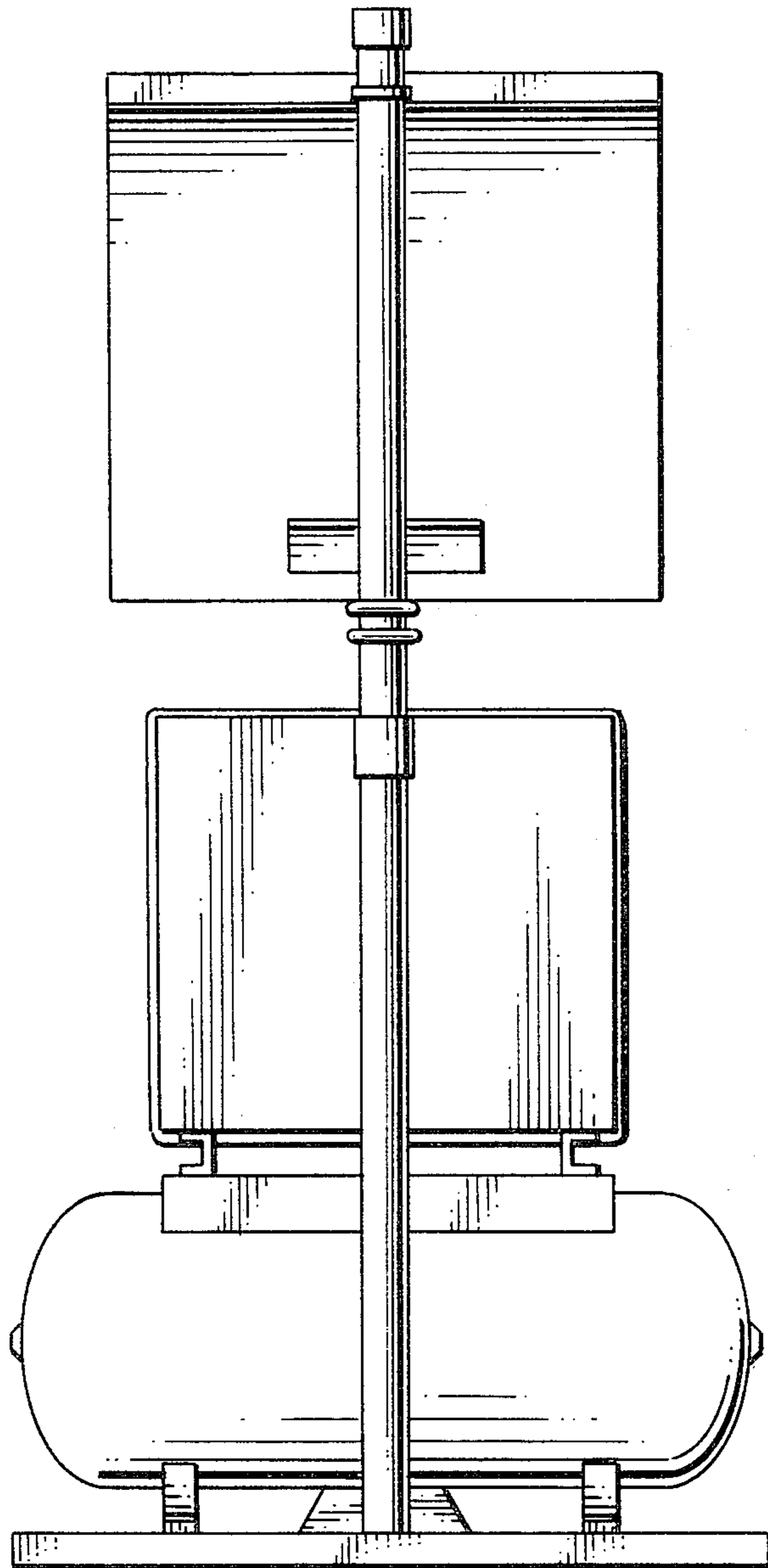


FIG. 3

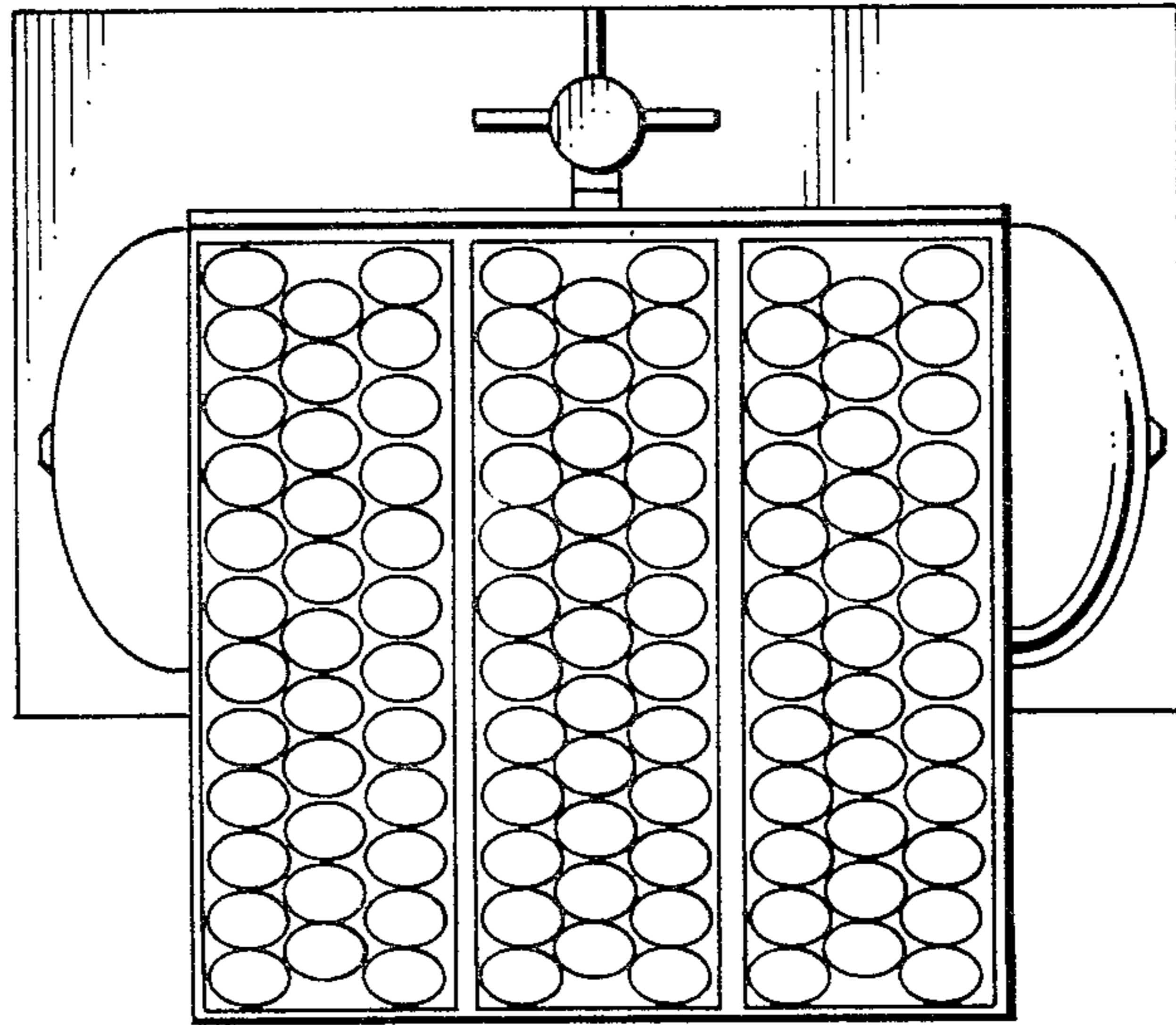


FIG. 4

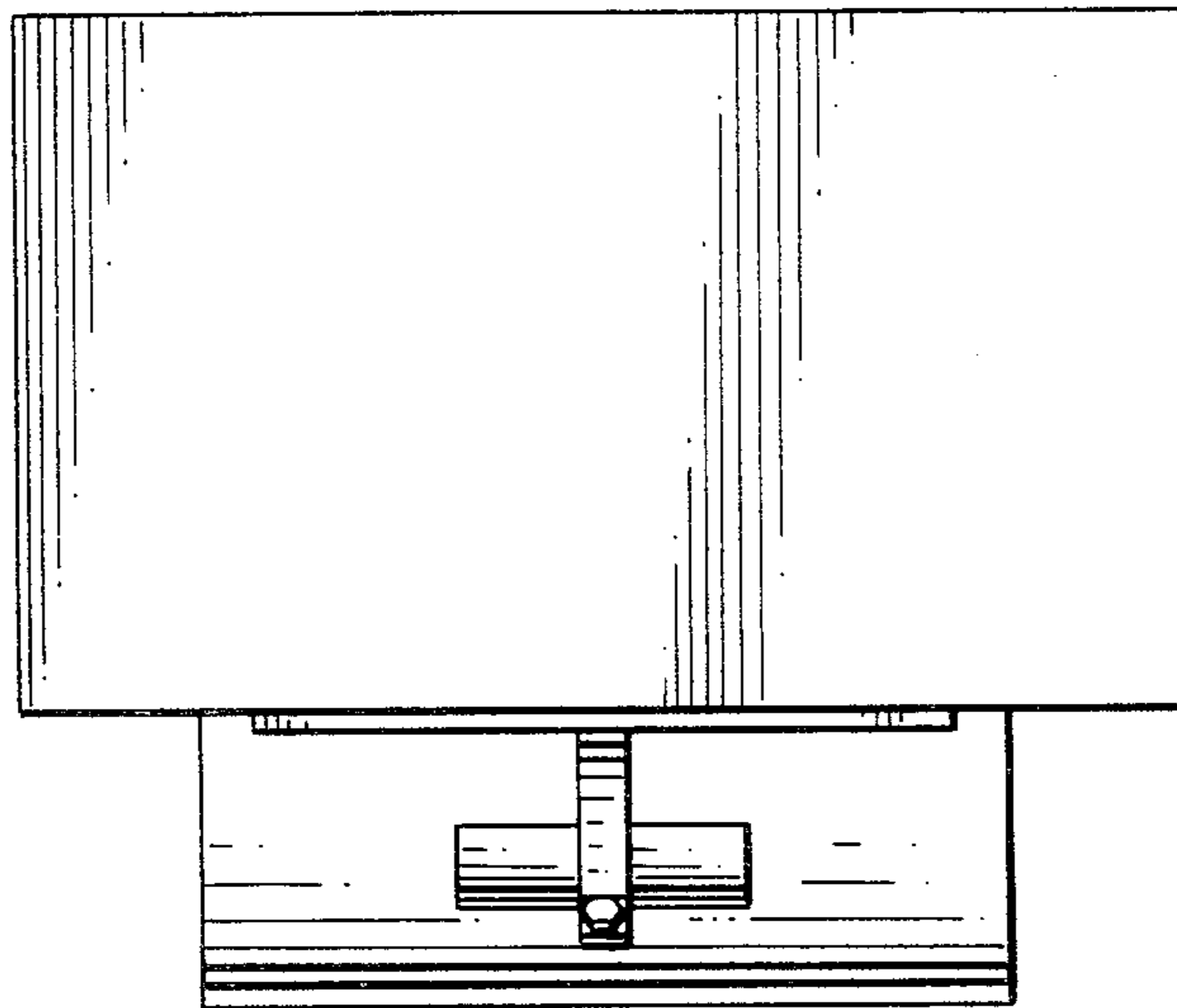


FIG. 5