

[54] MULTI-PURPOSE PORTABLE POWER UNIT

[76] Inventor: Gilbert Lopez, 1520 Buster St., Simi, Calif. 93065

[\*\*] Term: 14 Years

[21] Appl. No.: 352,870

[22] Filed: Feb. 26, 1982

[52] U.S. Cl. .... D15/1; D13/3

[58] Field of Search ..... D13/1, 2, 3; 290/1 A; D15/1, 7, 9; 307/150

[56] References Cited

U.S. PATENT DOCUMENTS

D. 194,490	1/1963	Winslow et al. ....	D15/1
D. 249,788	10/1978	Nanjo .....	D13/3
2,177,687	10/1939	Bracken et al. ....	290/1 A
2,482,924	9/1949	Melcher .....	290/1 A
2,630,537	3/1953	Wiegmann et al. ....	290/1 A
4,376,250	3/1983	Baker, Jr. et al. ....	307/150

OTHER PUBLICATIONS

Sears-Fall/Winter 1981 p. 1020 Item (2)-#32G3276-3N-Deluxe Generator.

Primary Examiner—Wallace R. Burke

Assistant Examiner—Lynn Wilder

Attorney, Agent, or Firm—Ralph B. Pastoriza

[57] CLAIM

The ornamental design for a multi-purpose portable power unit, substantially as shown and described.

DESCRIPTION

FIG. 1 is a perspective view of a multi-purpose portable power unit, showing my new design;

FIG. 2 is a left side elevational view thereof;

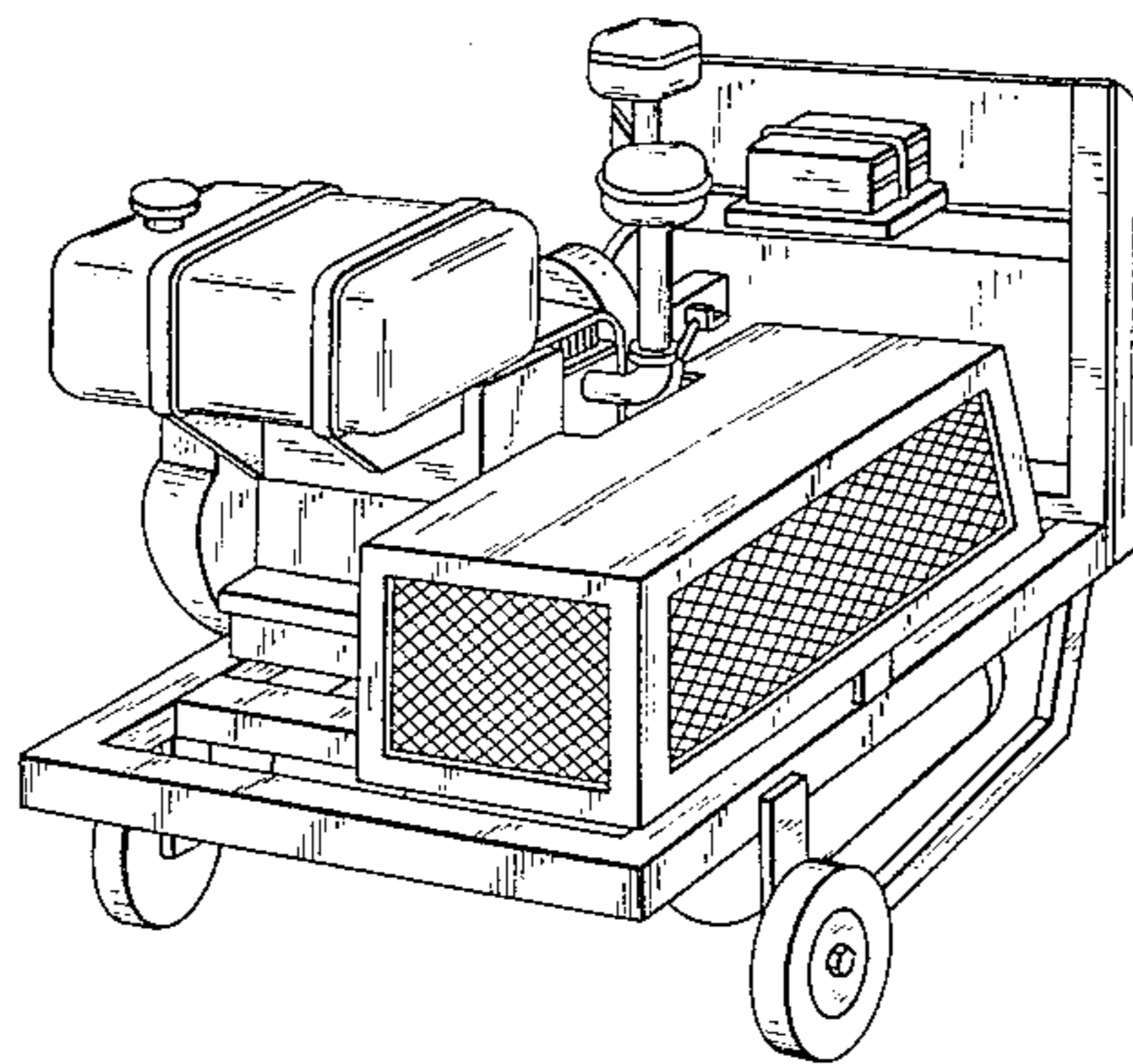
FIG. 3 is a right side elevational view thereof;

FIG. 4 is a front elevational view thereof;

FIG. 5 is a rear elevational view thereof;

FIG. 6 is a top plan view thereof; and

FIG. 7 is a bottom plan view thereof.



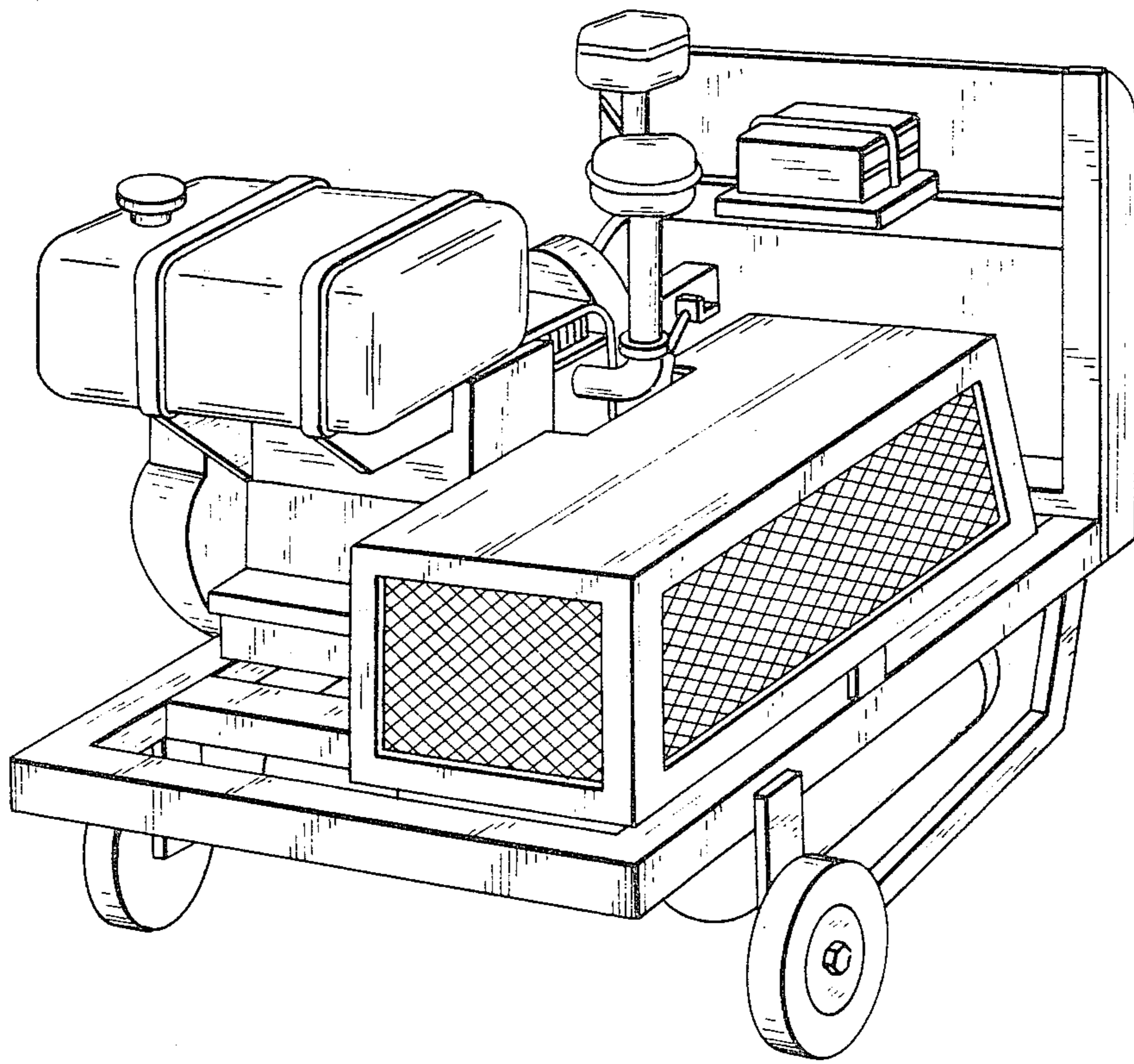


FIG. 1

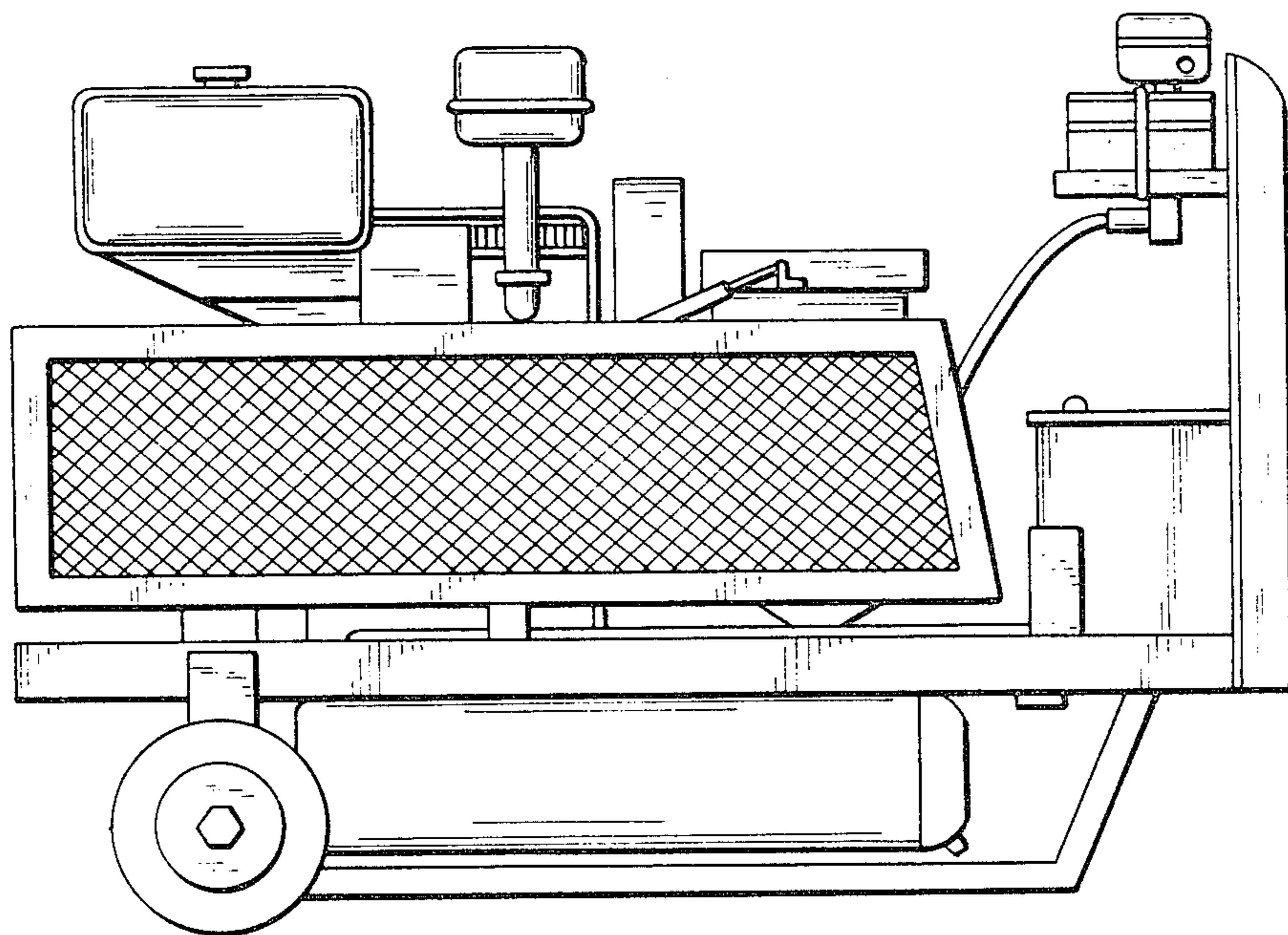


FIG. 2

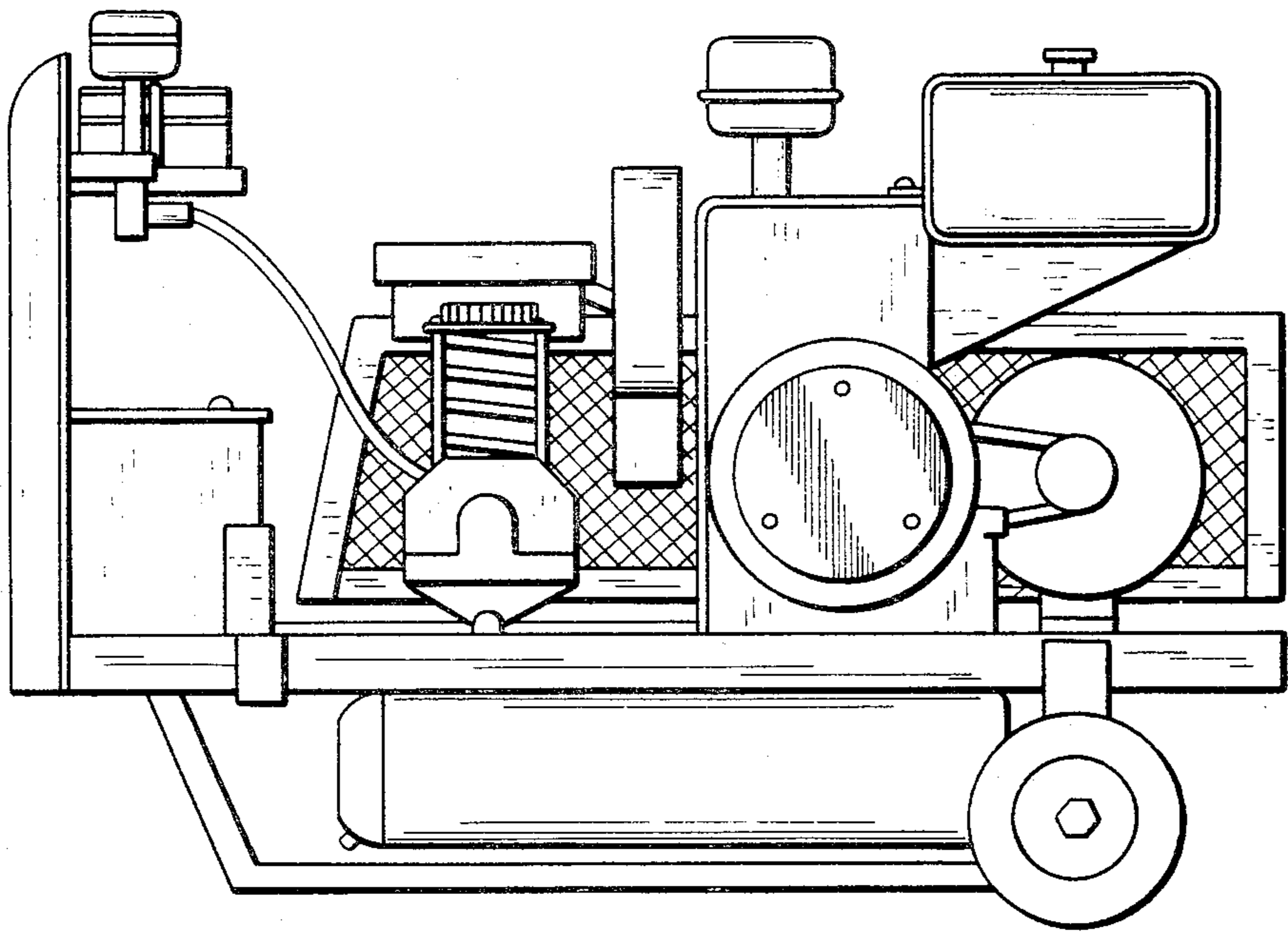


FIG. 3

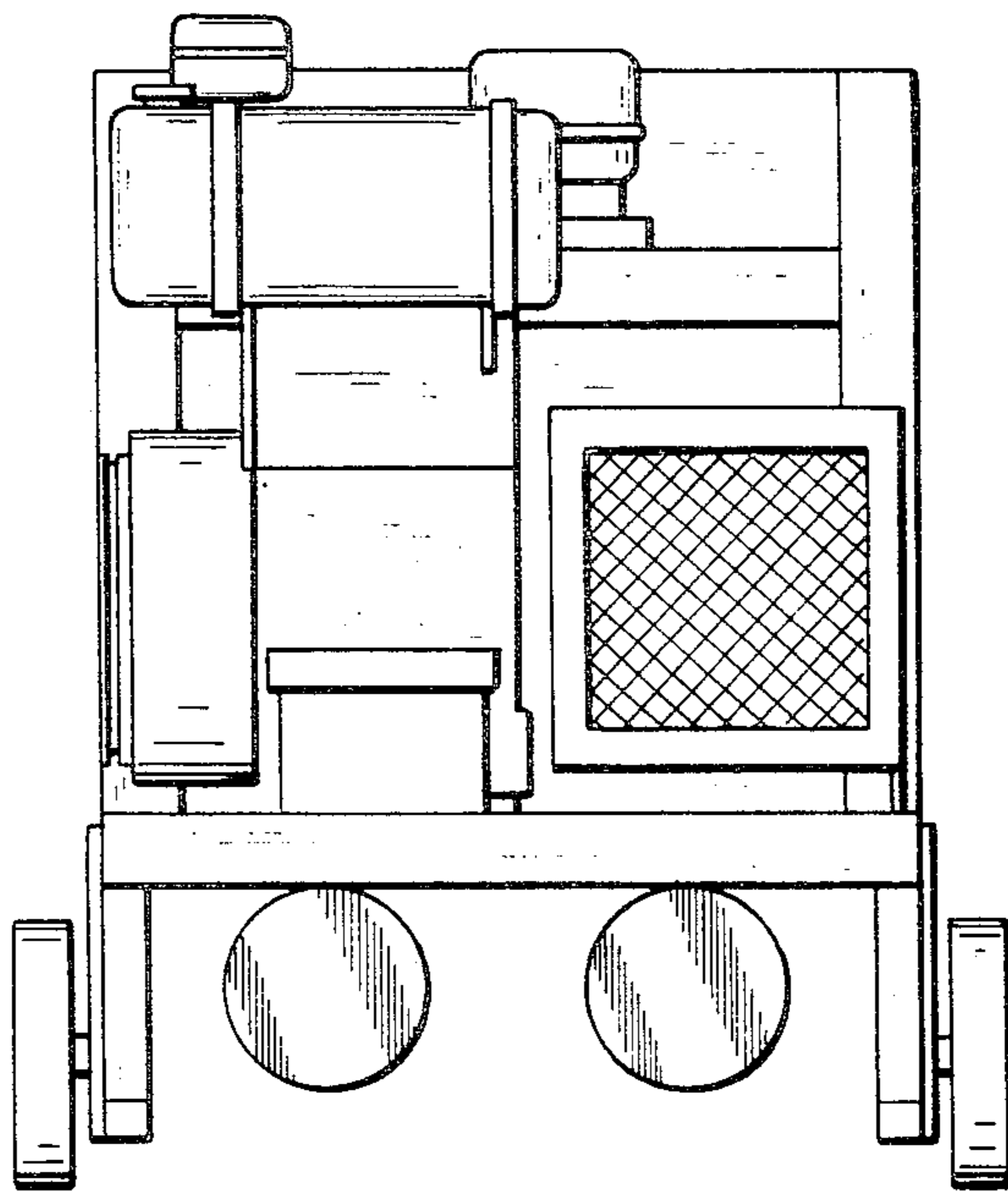


FIG. 4

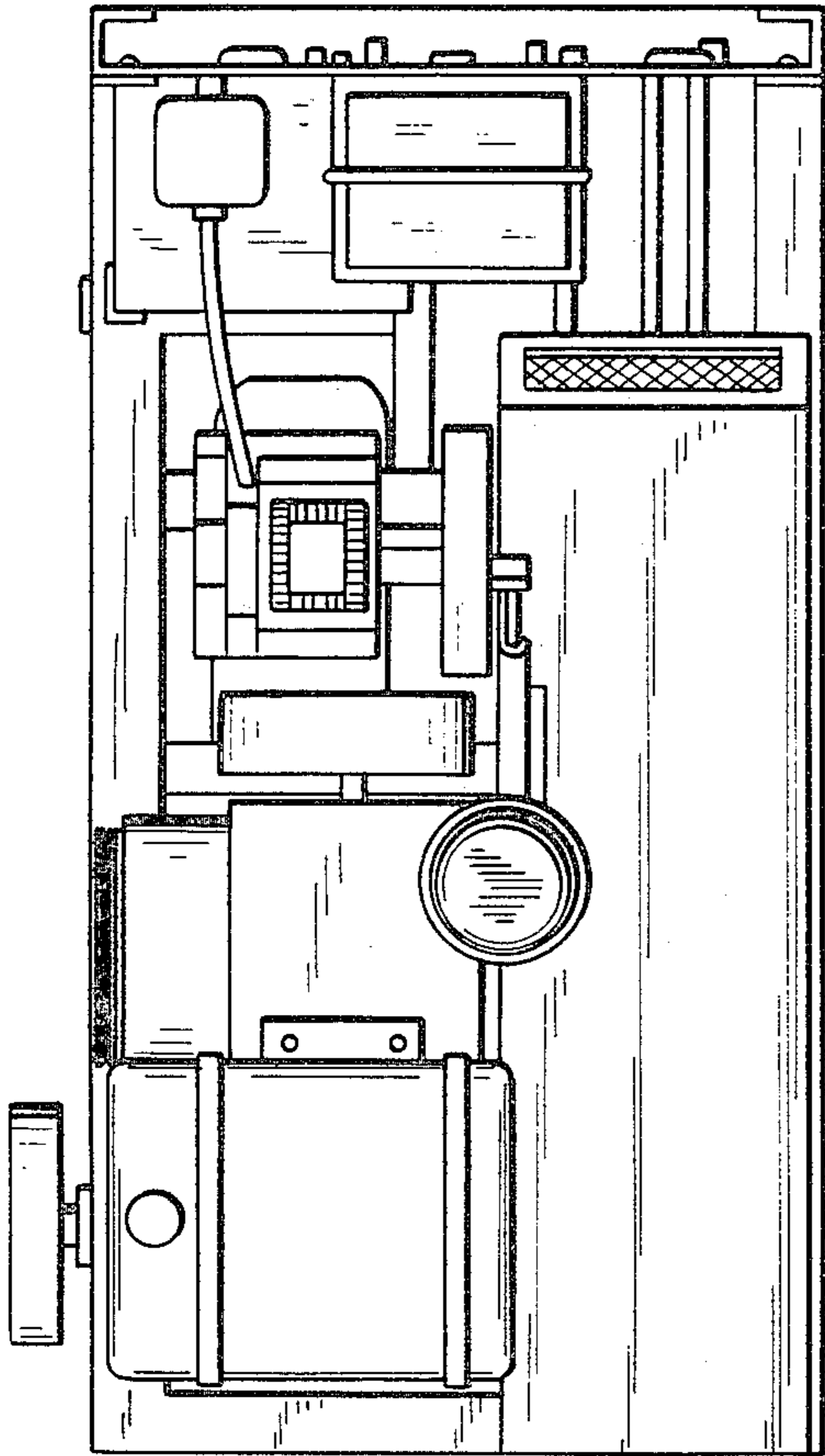


FIG. 6

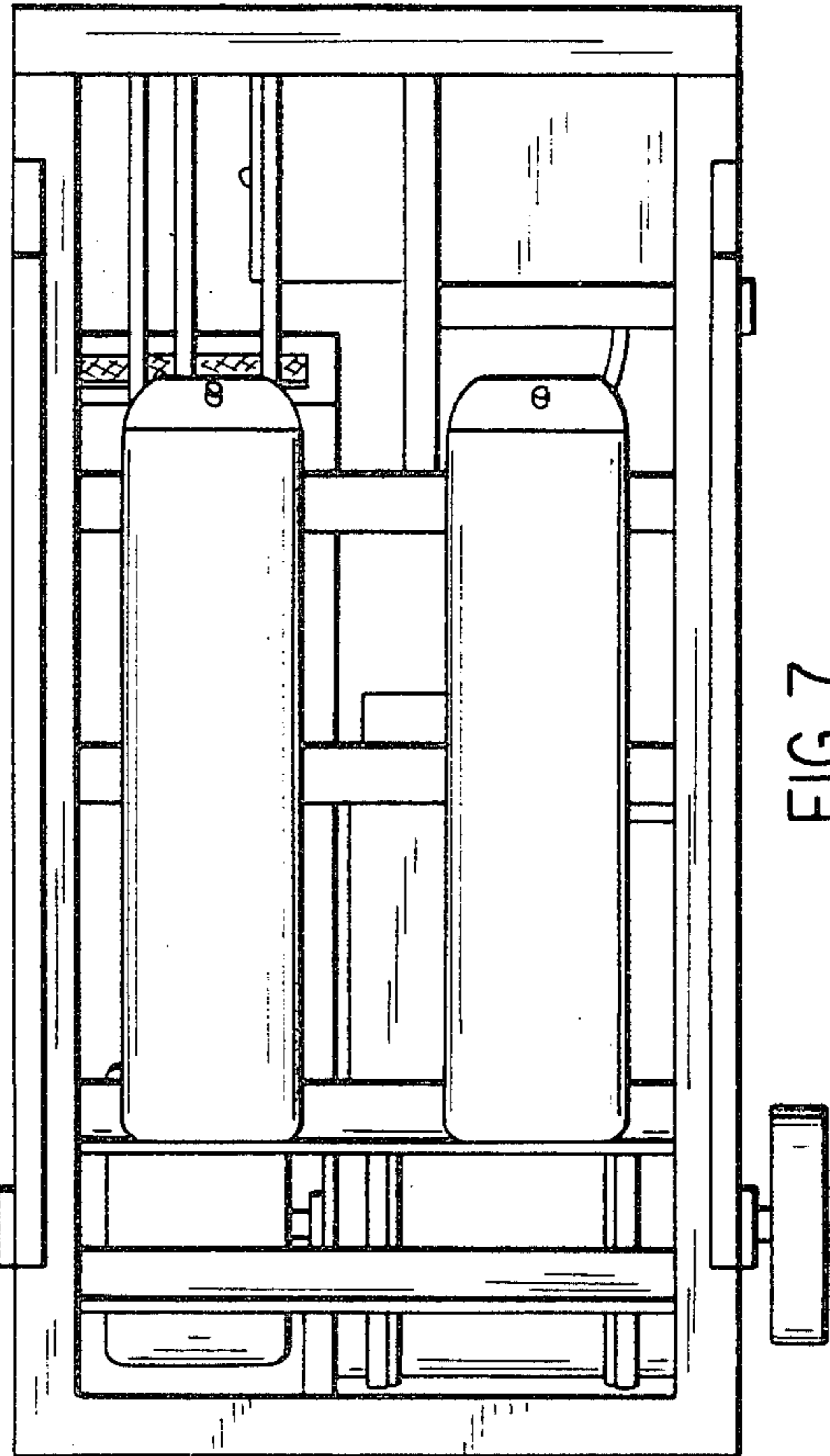


FIG. 7

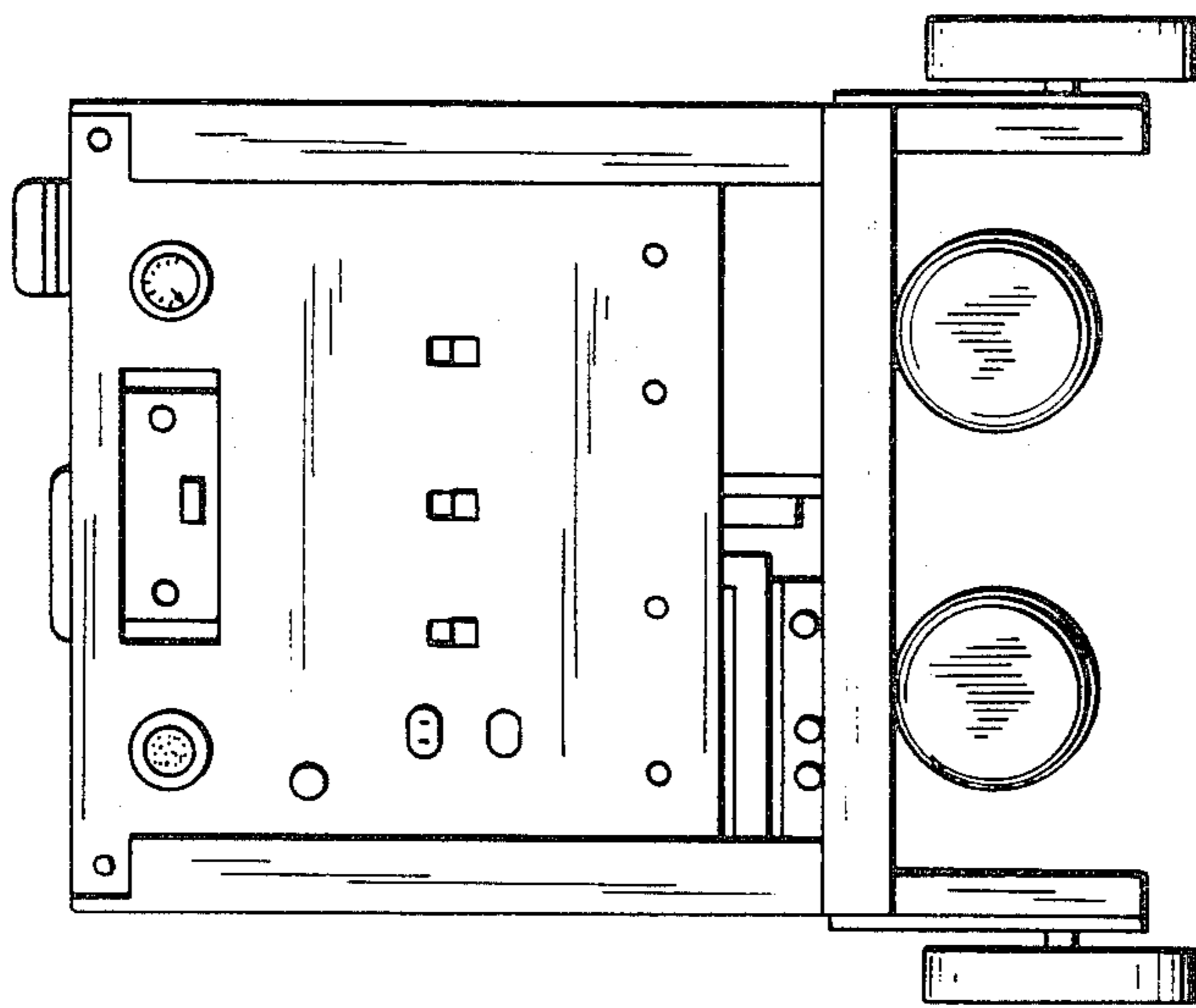


FIG. 5