

- [54] CONFERENCE TELEPHONE MICROPHONE CONTROL UNIT
- [75] Inventors: William L. Barton, III, Holmdel; Edward J. Peterson, Eatontown, both of N.J.; Gordon E. Sylvester, Jamaica, N.Y.
- [73] Assignee: AT&T Bell Laboratories, Murray Hill, N.J.
- [**] Term: 14 Years
- [21] Appl. No.: 358,915
- [22] Filed: Mar. 17, 1982
- [52] U.S. Cl. D14/59; D14/12
- [58] Field of Search D14/12, 13, 26, 59, D14/85, 90, 99, 52, 5

- D. 202,561 10/1965 Adams D14/59
- D. 226,487 3/1973 Genaro et al. D14/12 X
- D. 263,139 2/1982 Petrie et al. D14/5
- D. 263,466 3/1982 Hiraki D14/26 X
- D. 269,088 5/1983 Genaro et al. D14/52

Primary Examiner—Jane E. Corrigan
 Attorney, Agent, or Firm—S. R. Williamson

[57] CLAIM

The ornamental design for a conference telephone microphone control unit, substantially as shown and described.

DESCRIPTION

FIG. 1 is a front, top and left side perspective view of a conference telephone microphone control unit showing our new design;
 FIG. 2 is a top plan view thereof;
 FIG. 3 is a front elevational view thereof;
 FIG. 4 is a right side elevational view thereof; and
 FIG. 5 is a bottom plan view thereof.

- [56] References Cited
- U.S. PATENT DOCUMENTS
- D. 188,663 8/1960 Montague D14/85

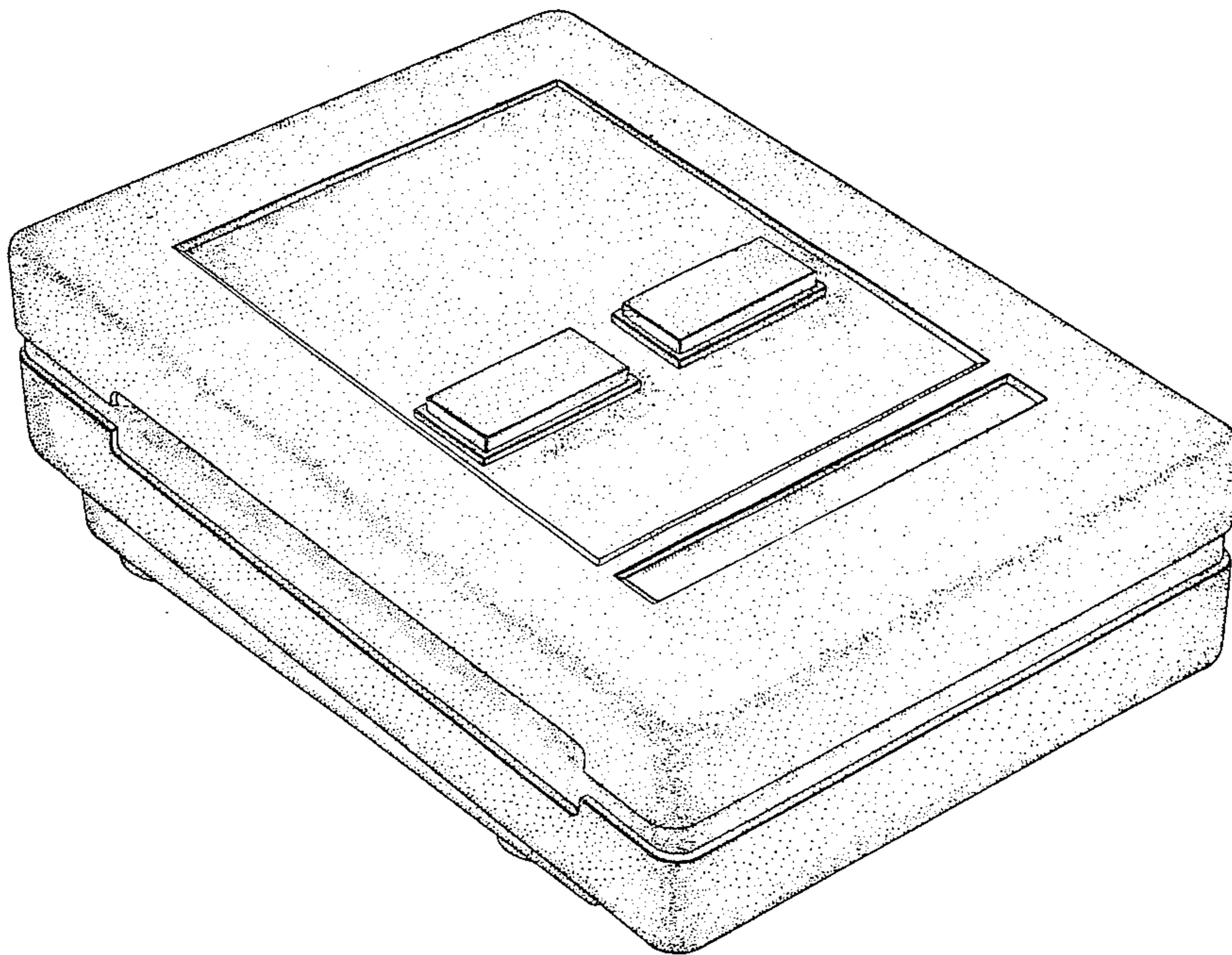


FIG. 1

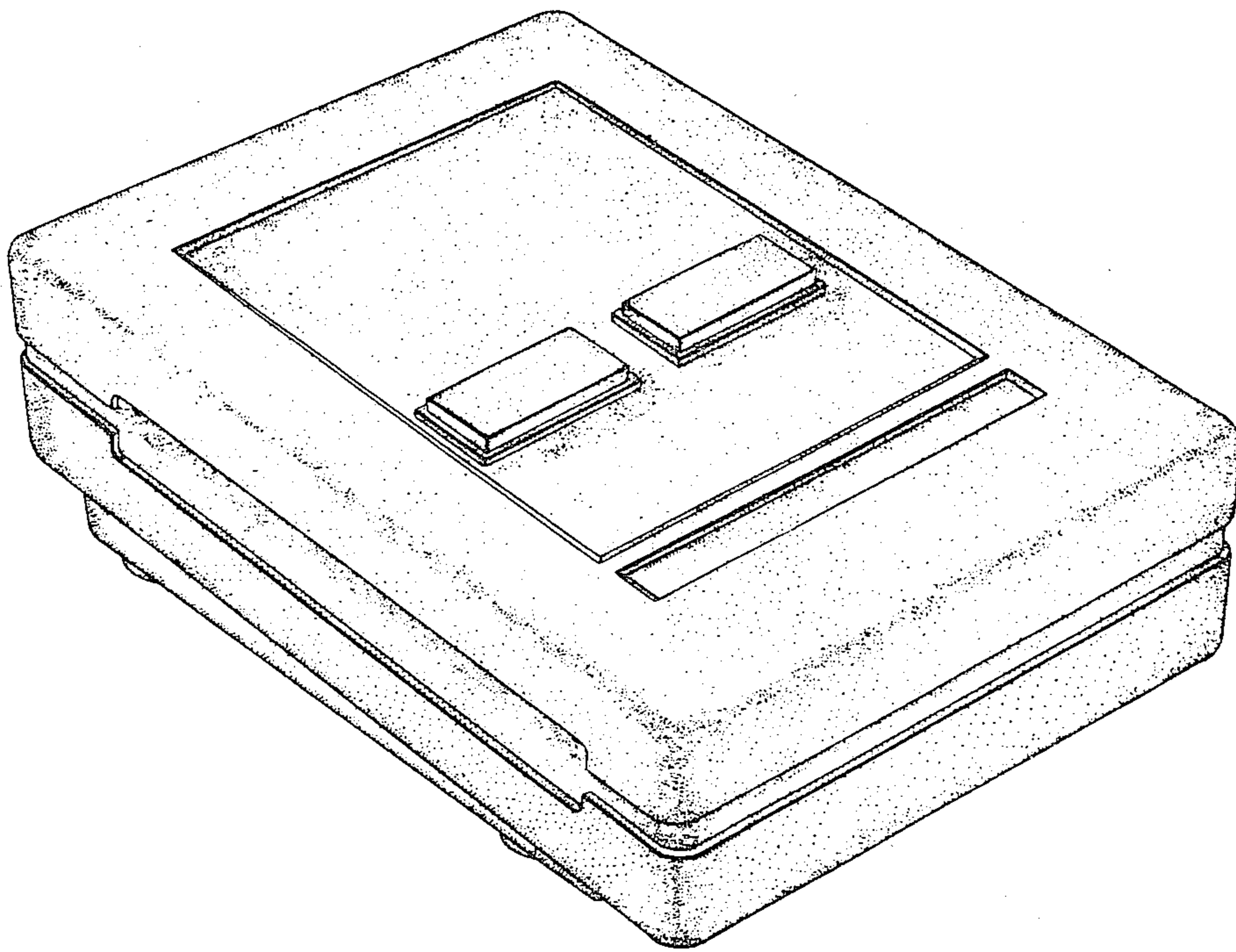


FIG. 2

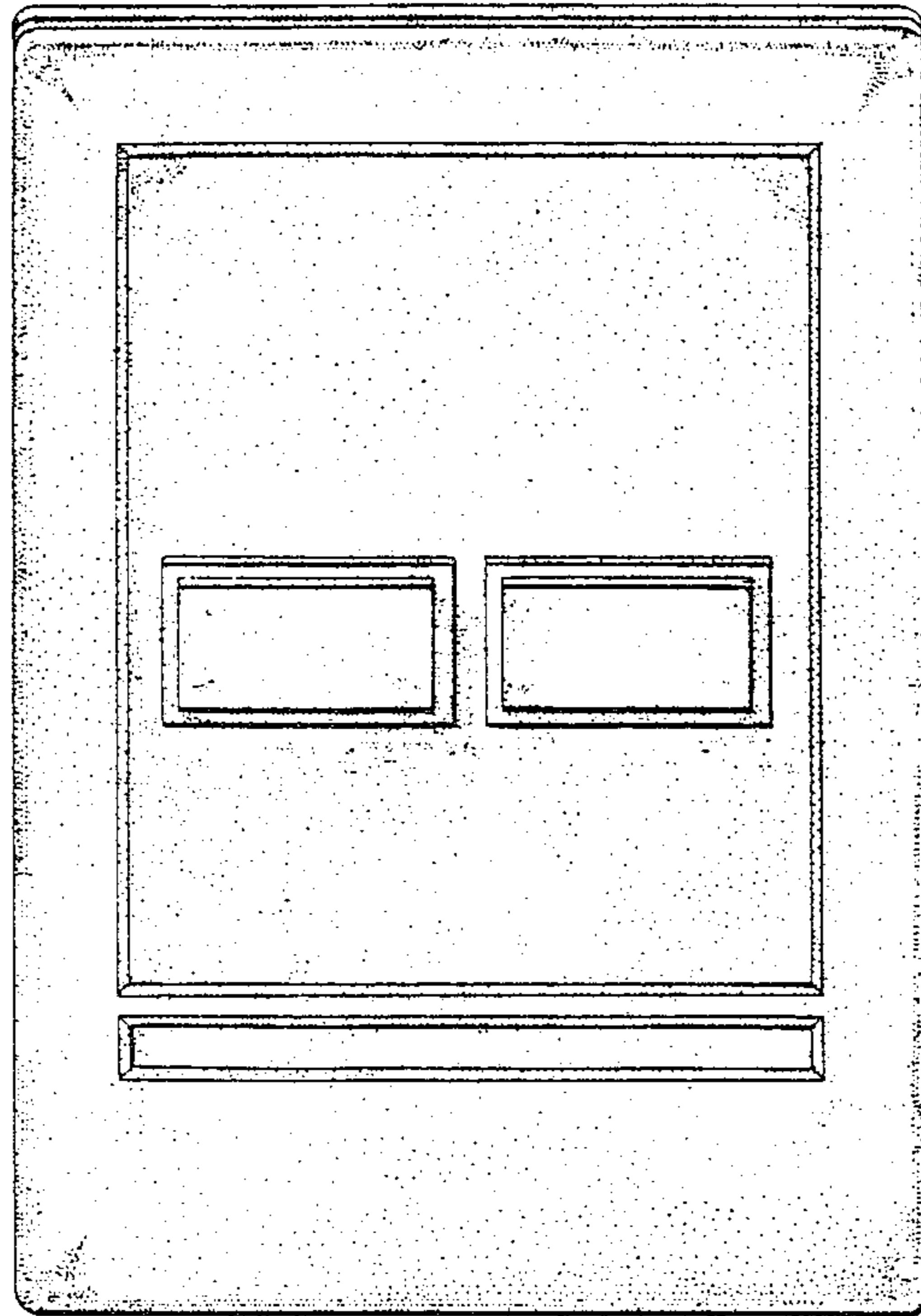


FIG. 3

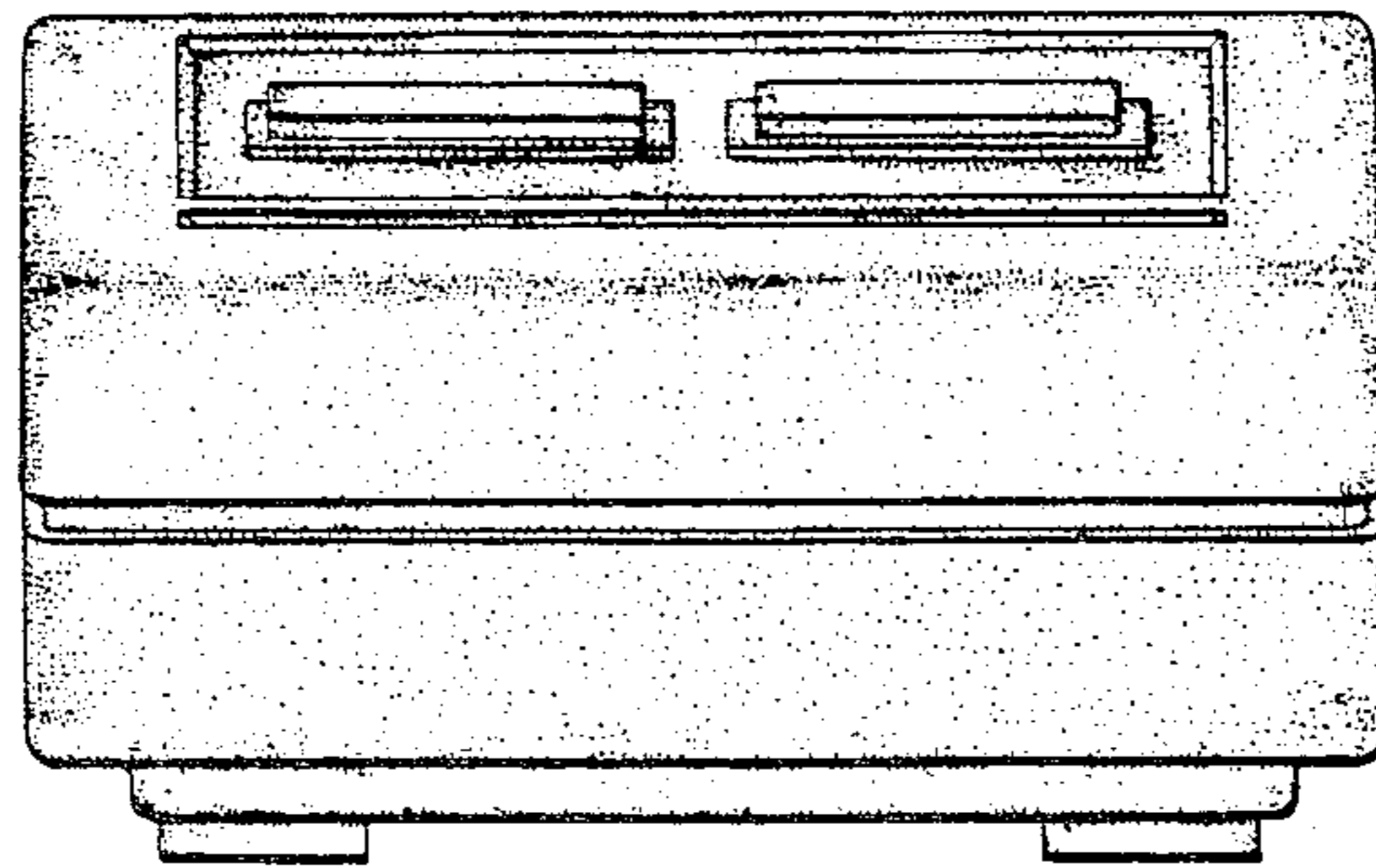


FIG. 4

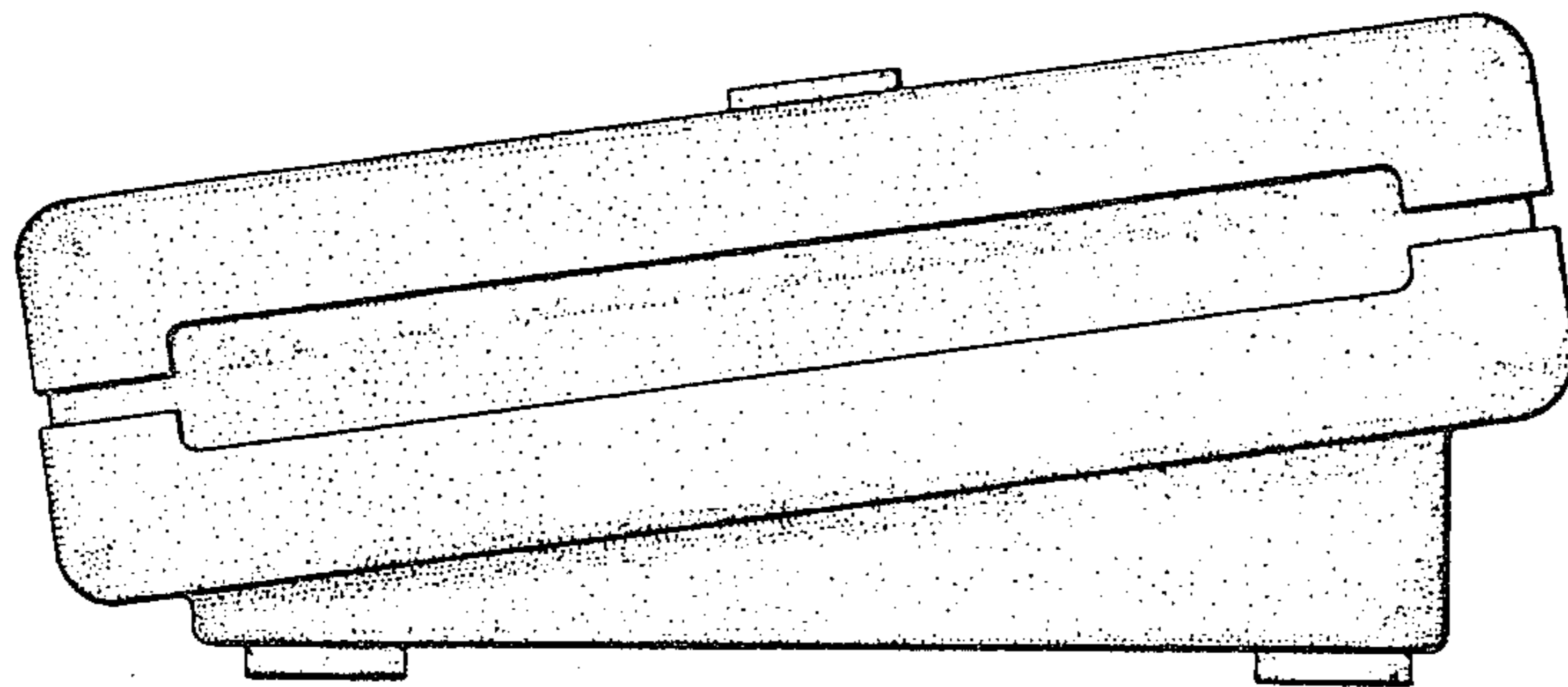


FIG. 5

