

[54] WHEEL SPIDER

[75] Inventors: Raymond D. Frazeo, Waldron, Ind.

[73] Assignee: Indus Wheel Company, Division of Carlisle Corporation, Cincinnati, Ohio

[**] Term: 14 Years

[21] Appl. No.: 396,459

[22] Filed: Jul. 8, 1982

[52] U.S. Cl. D12/211

[58] Field of Search D12/209, 211; 301/63 R, 301/63 PU, 64 R, 64 SD, 65, 37 R

[56] References Cited

U.S. PATENT DOCUMENTS

D. 96,185	7/1935	Hunt et al.	301/64 SD
D. 259,342	5/1981	Envall et al.	D12/209
1,677,104	7/1928	Reaney	301/64 R

OTHER PUBLICATIONS

Electrodyne, Spring 1981, p. 10, Style F Wheel, center of page and p. 11, Porsche 924 Wheel, center right side of page.
 Road & Track, 11/80, p. 29, Front Wheel of Honda, bottom left side of page.

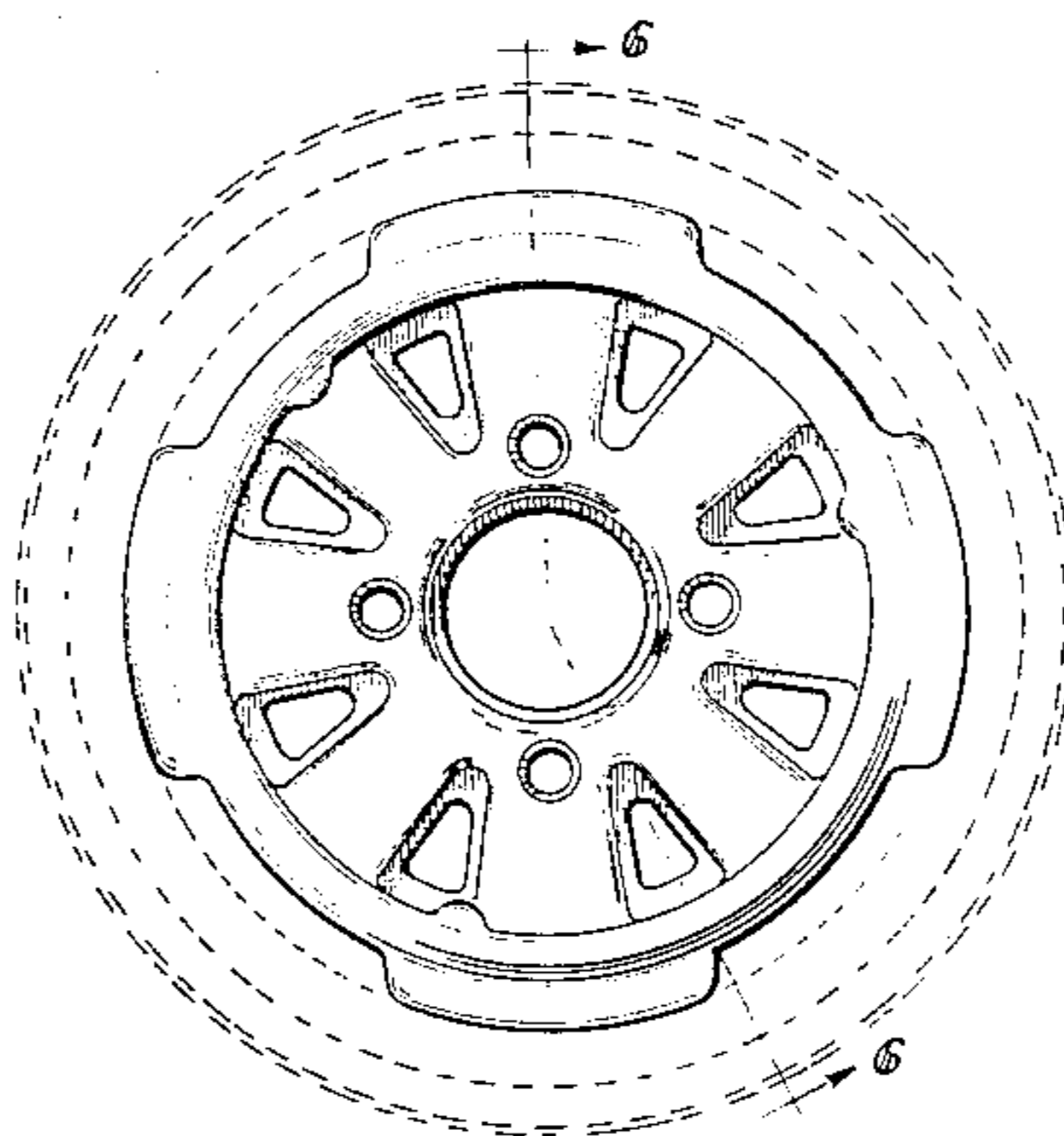
Primary Examiner—James M. Gandy
Attorney, Agent, or Firm—Barnes & Thornburg

[57] CLAIM

The ornamental design for a wheel spider, as shown and described.

DESCRIPTION

FIG. 1 is a front elevational view of a wheel spider showing my new design, it being understood that the broken lines are for illustrative purposes only.
 FIG. 2 is a left side elevational view thereof;
 FIG. 3 is a top plan view thereof;
 FIG. 4 is a bottom plan view thereof;
 FIG. 5 is a rear elevational view thereof;
 FIG. 6 is a cross sectional view thereof taken along the line 6—6 of FIG. 1;
 FIG. 7 is a front elevational view of a wheel spider showing a second embodiment of my new design, it being understood that the broken lines are for illustrative purposes only;
 FIG. 8 is a left side elevational view of FIG. 7;
 FIG. 9 is a top plan view of FIG. 7;
 FIG. 10 is a bottom plan view of FIG. 7;
 FIG. 11 is a rear elevational view of FIG. 7; and
 FIG. 12 is a cross sectional view taken along the line 12—12 of FIG. 7.



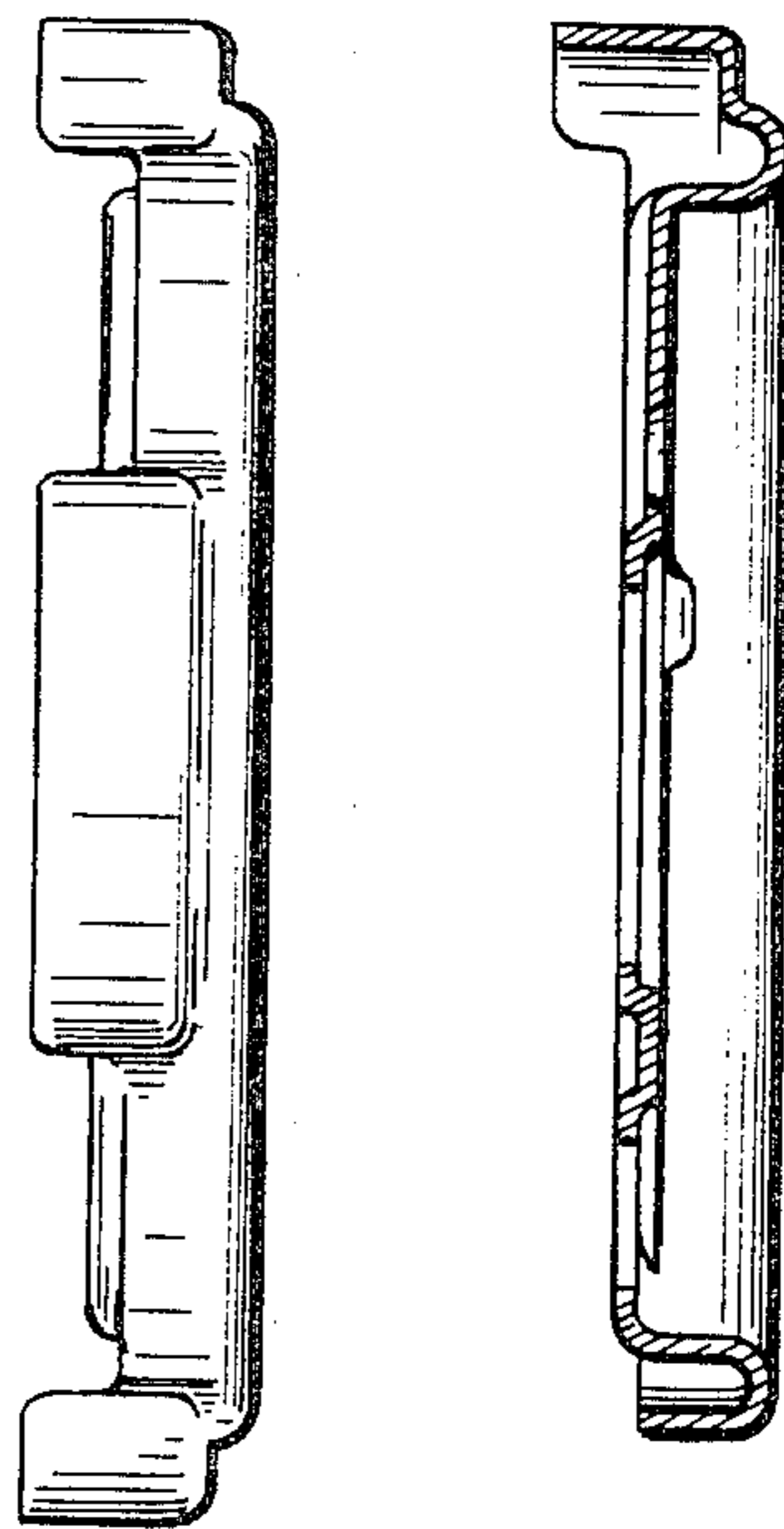
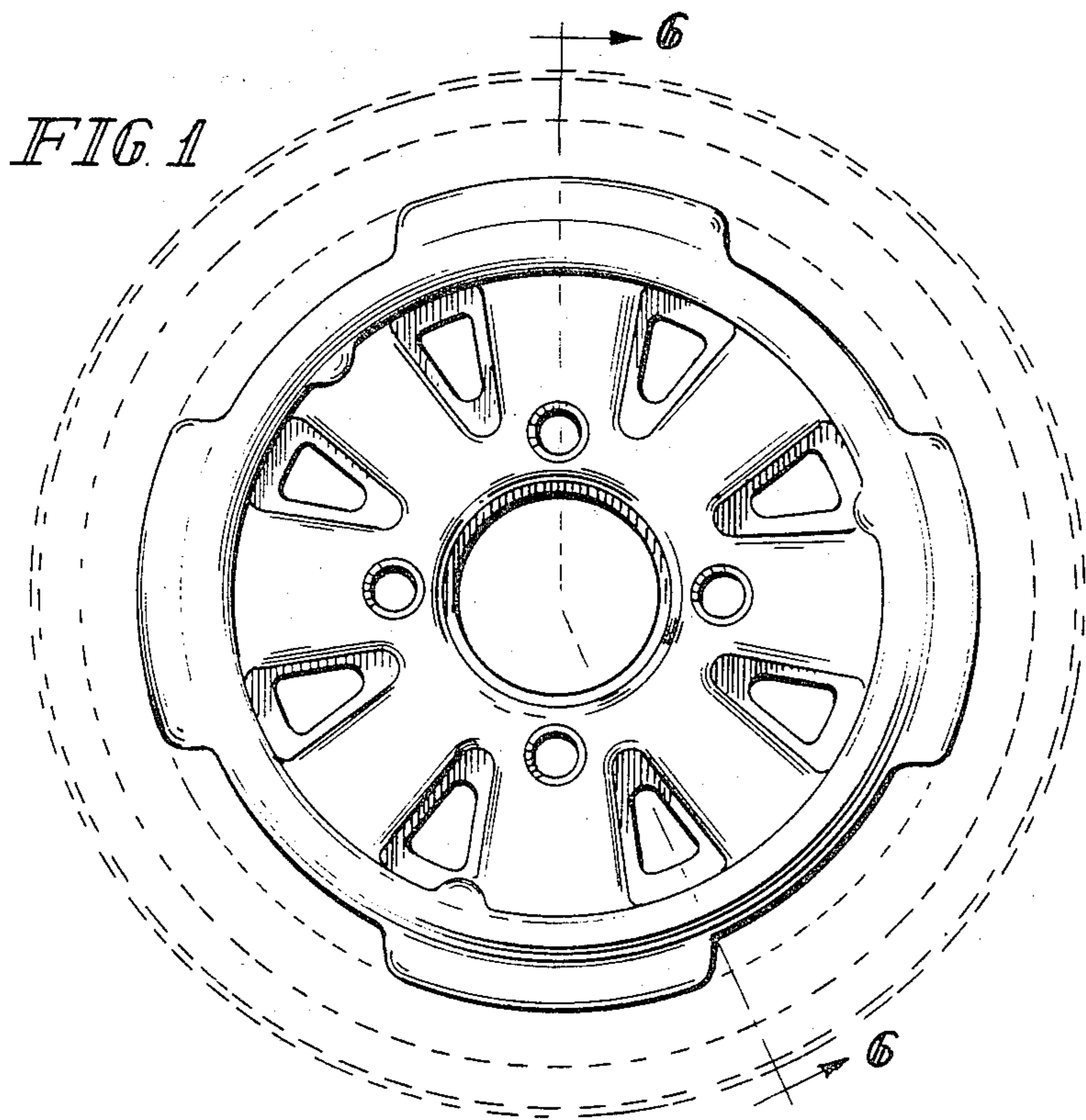


FIG. 2 FIG. 6

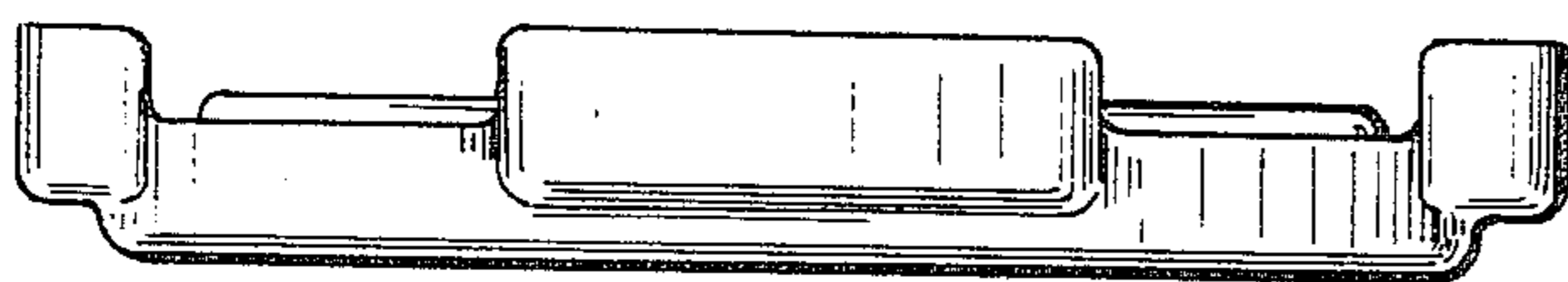


FIG. 3

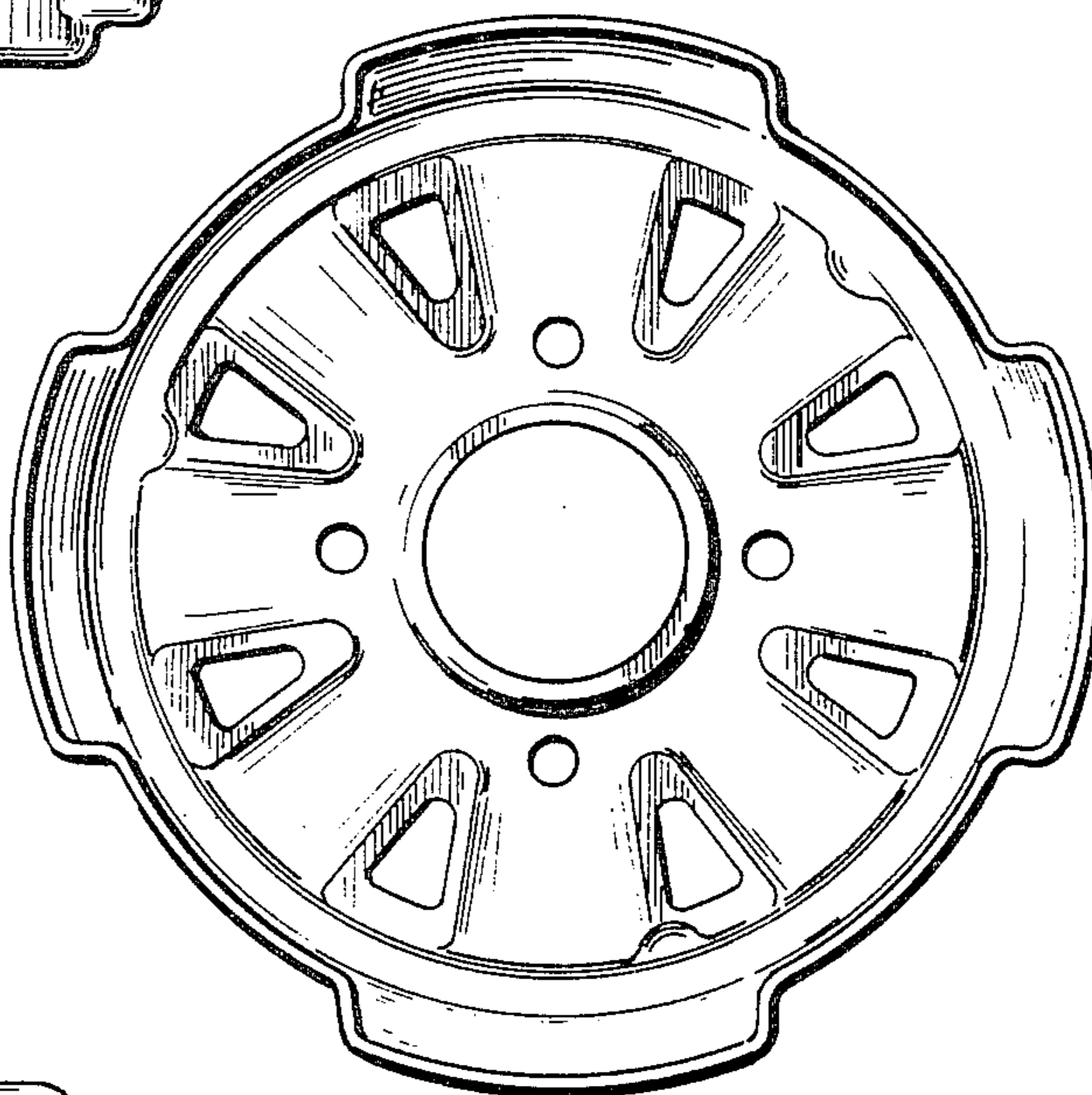


FIG. 5

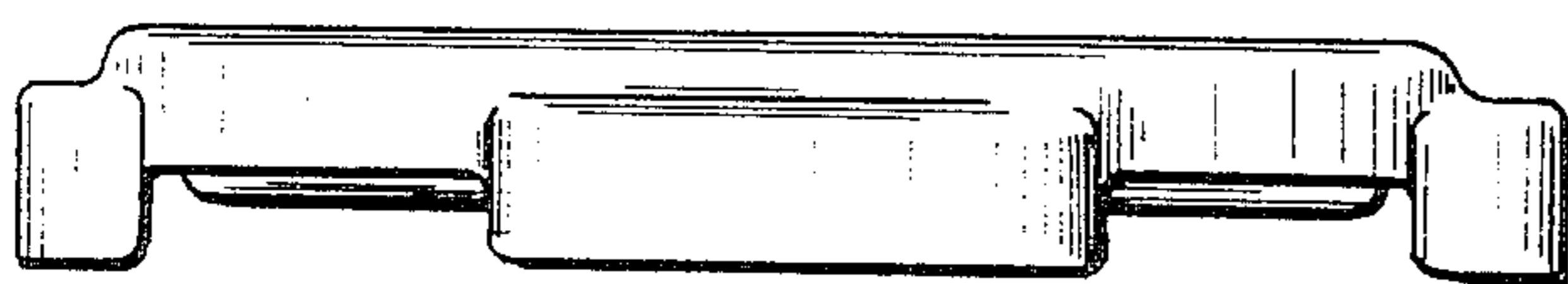


FIG. 4

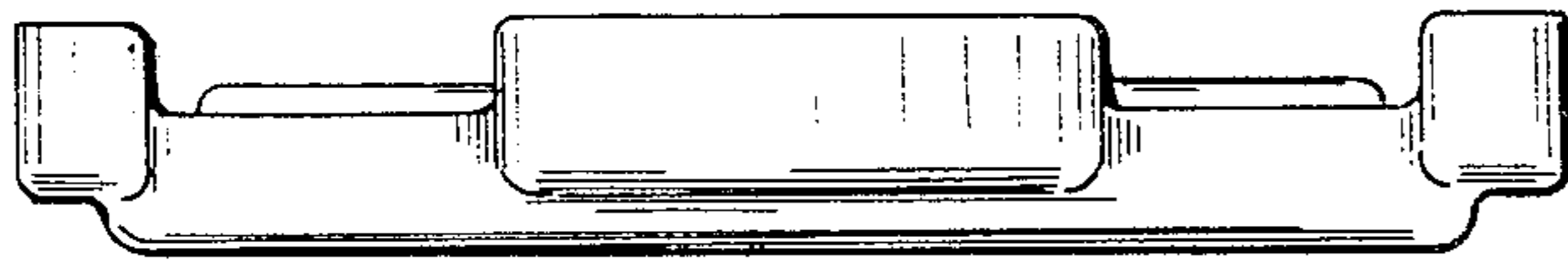
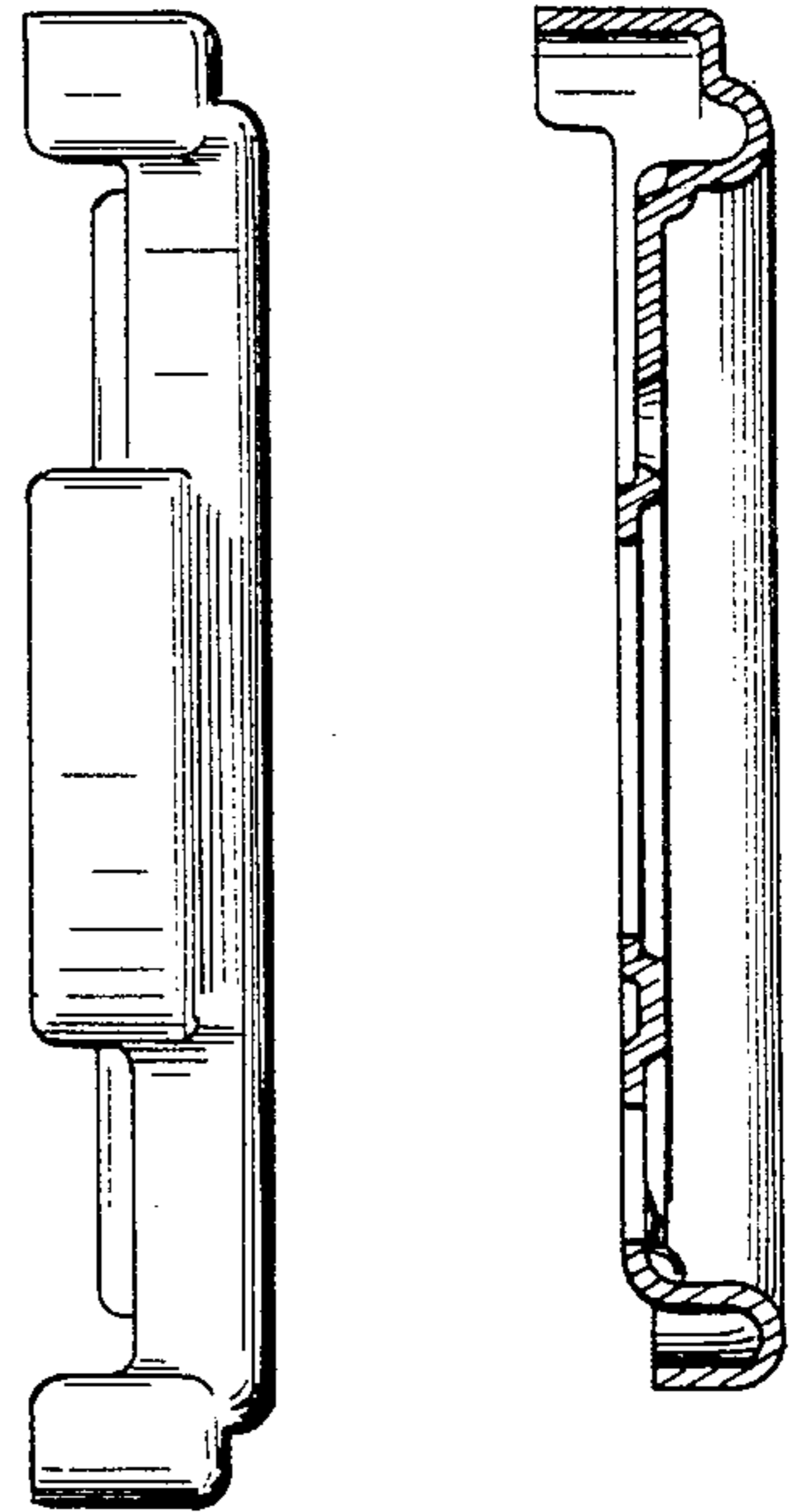
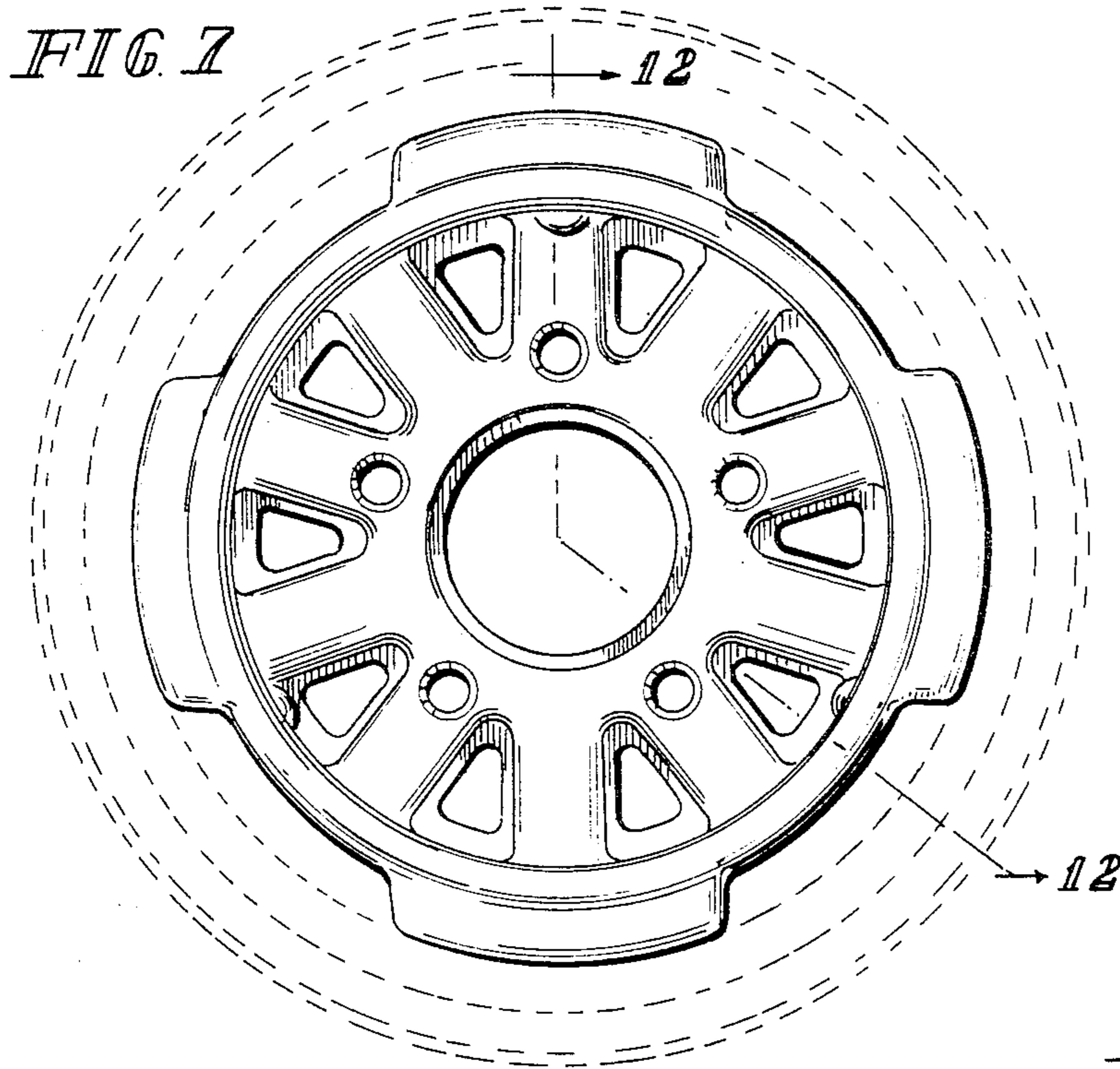


FIG. 9

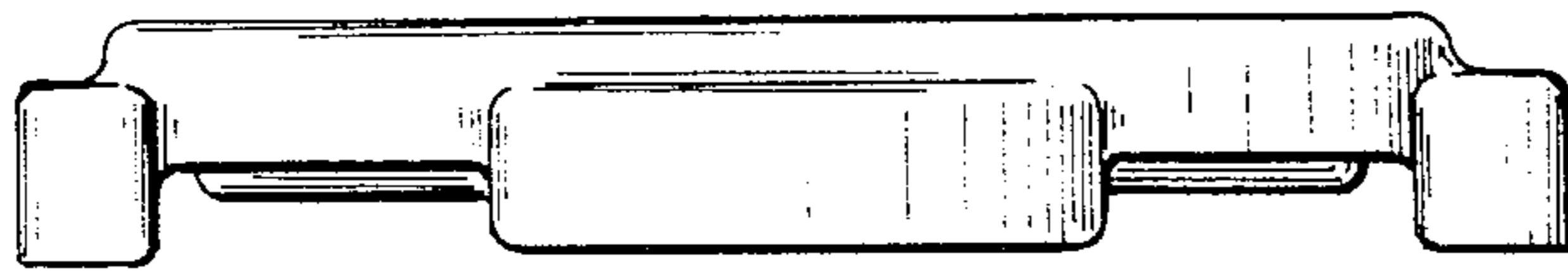
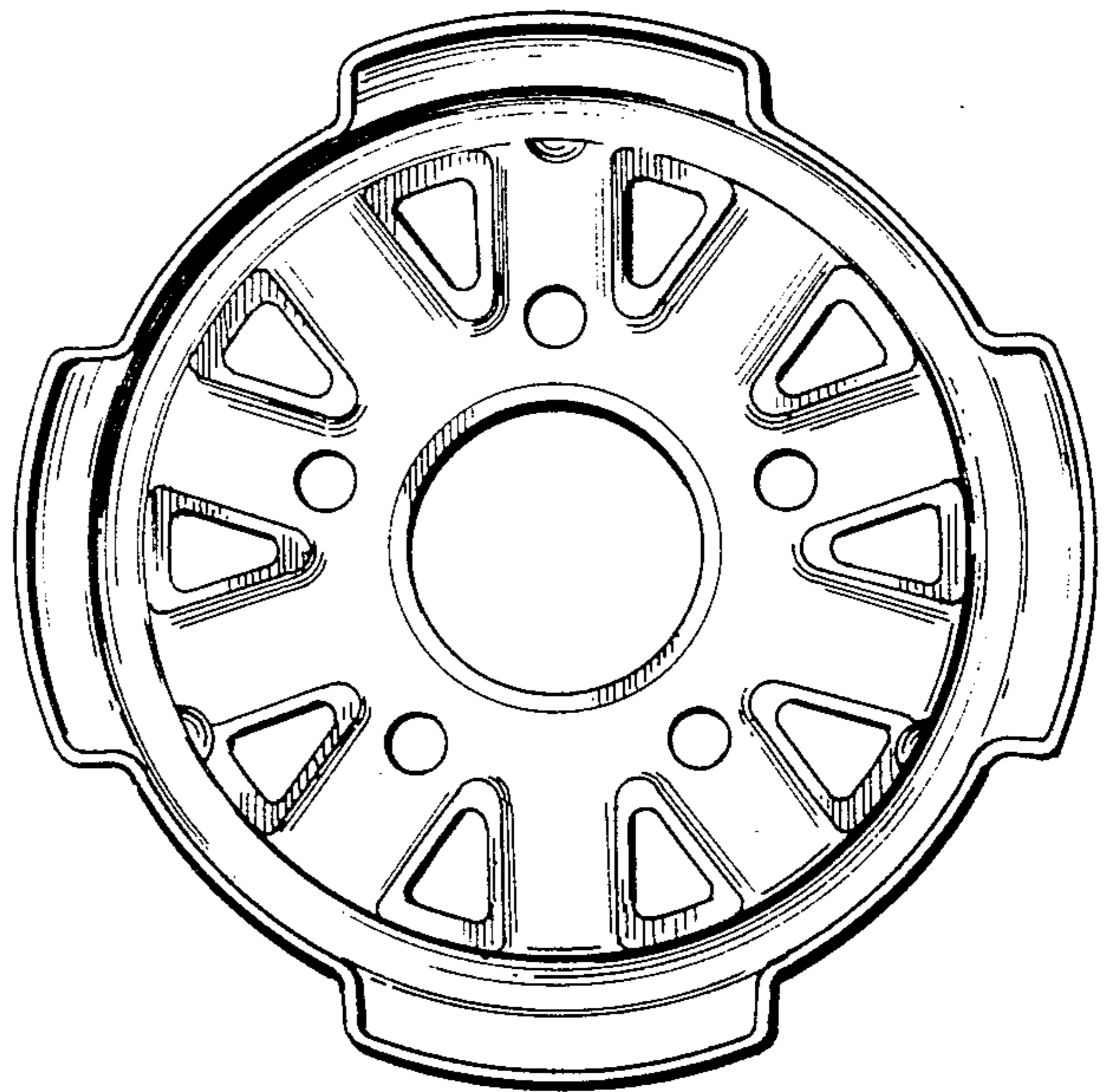


FIG. 10