

[54] **AUTO SPOILER**

[75] **Inventor: Gerhard Schmidt, Wuppertal, Fed. Rep. of Germany**

[73] **Assignee: Westfalische Metall Industrie KG Hueck & Co, Lippstadt, Fed. Rep. of Germany**

[\*\*] **Term: 14 Years**

[21] **Appl. No.: 435,506**

[22] **Filed: Oct. 20, 1982**

[30] **Foreign Application Priority Data**

Apr. 20, 1982 [DE] Fed. Rep. of Germany .....8XA-004-317  
[52] **U.S. Cl. .... D12/181**  
[58] **Field of Search ..... D12/181; 296/91, 1.5**

[56]

**References Cited**

**U.S. PATENT DOCUMENTS**

D. 273,671 5/1984 Ford ..... D12/181

**OTHER PUBLICATIONS**

Electrodyn Spring 1981 Catalog, p. 38, Rear Spoiler Attached to the Top of the Lift Back Door, center left side of page.

*Primary Examiner*—James M. Gandy  
*Attorney, Agent, or Firm*—Max Fogiel

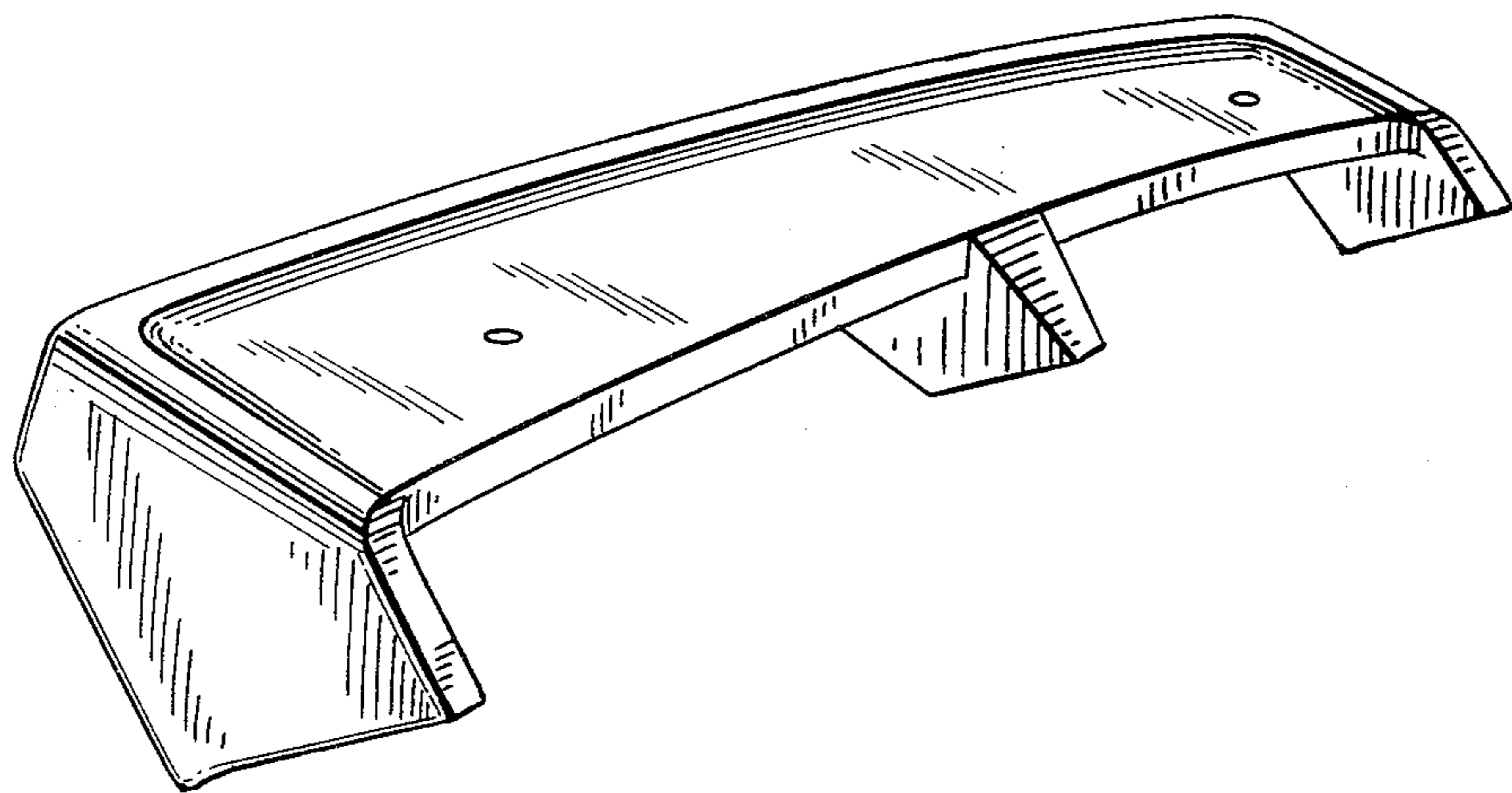
[57]

**CLAIM**

The ornamental design for an auto spoiler, as shown and described.

**DESCRIPTION**

FIG. 1 is a perspective view of an auto spoiler showing my new design;  
FIG. 2 is a top plan view thereof;  
FIG. 3 is a front elevation view thereof;  
FIG. 4 is a rear elevation view thereof;  
FIG. 5 is a bottom plan view thereof; and  
FIG. 6 is an end elevation view thereof.



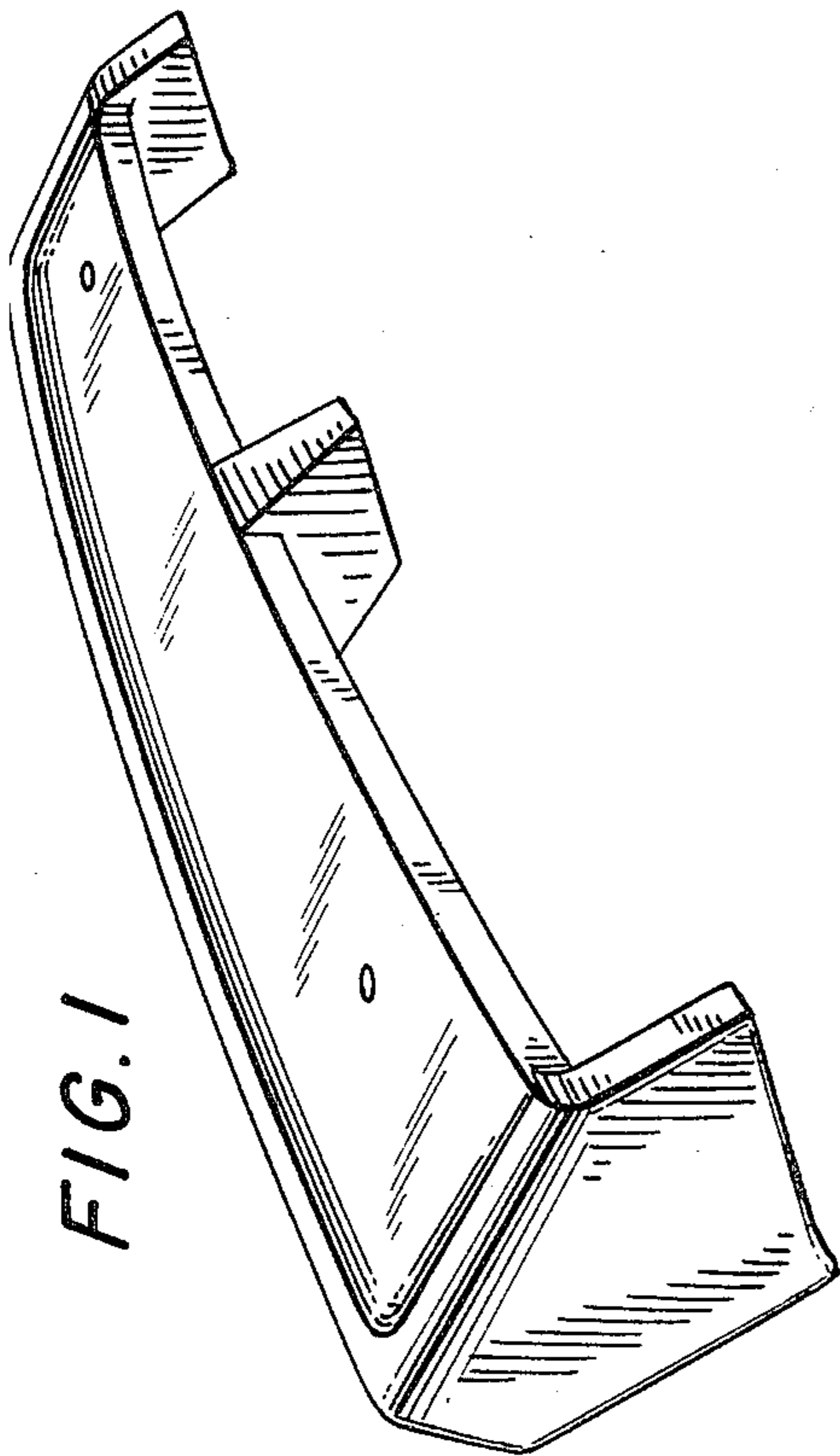


FIG. 6

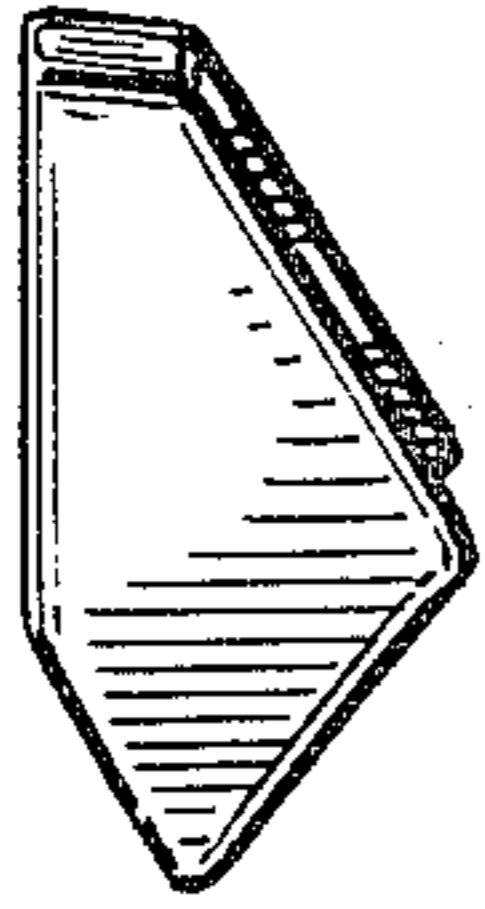


FIG. 2

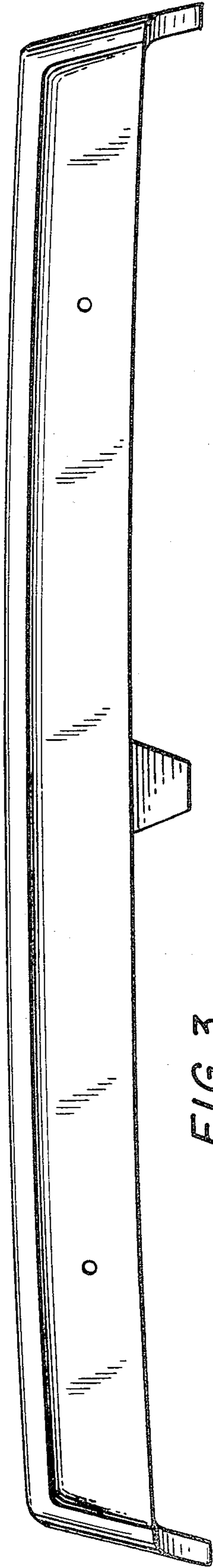


FIG. 3

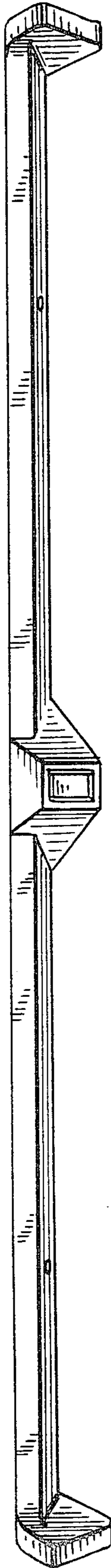


FIG. 4



FIG. 5

