

[54] **HOSE REELER**

[76] **Inventor: William King, 79 Allison Rd., Elsternwick, Victoria, 3185, Australia**

[**] **Term: 14 Years**

[21] **Appl. No.: 417,545**

[22] **Filed: Sep. 13, 1982**

[30] **Foreign Application Priority Data**

Mar. 18, 1982 [AU] Australia 86817

[52] **U.S. Cl. D8/358**

[58] **Field of Search D8/356-359; 242/86.1, 96, 85, 115, 86, 192, 106, 107.7; 191/12.2 R, 12.4; D9/419; D13/30**

[56]

References Cited

U.S. PATENT DOCUMENTS

561,229 6/1896 Kern et al. 242/86
3,384,140 5/1968 Brothers 242/115

FOREIGN PATENT DOCUMENTS

146375 5/1952 Australia 191/12.2 R

Primary Examiner—Wallace R. Burke
Assistant Examiner—Horace B. Fay
Attorney, Agent, or Firm—Andrus, Scales, Starke & Sawall

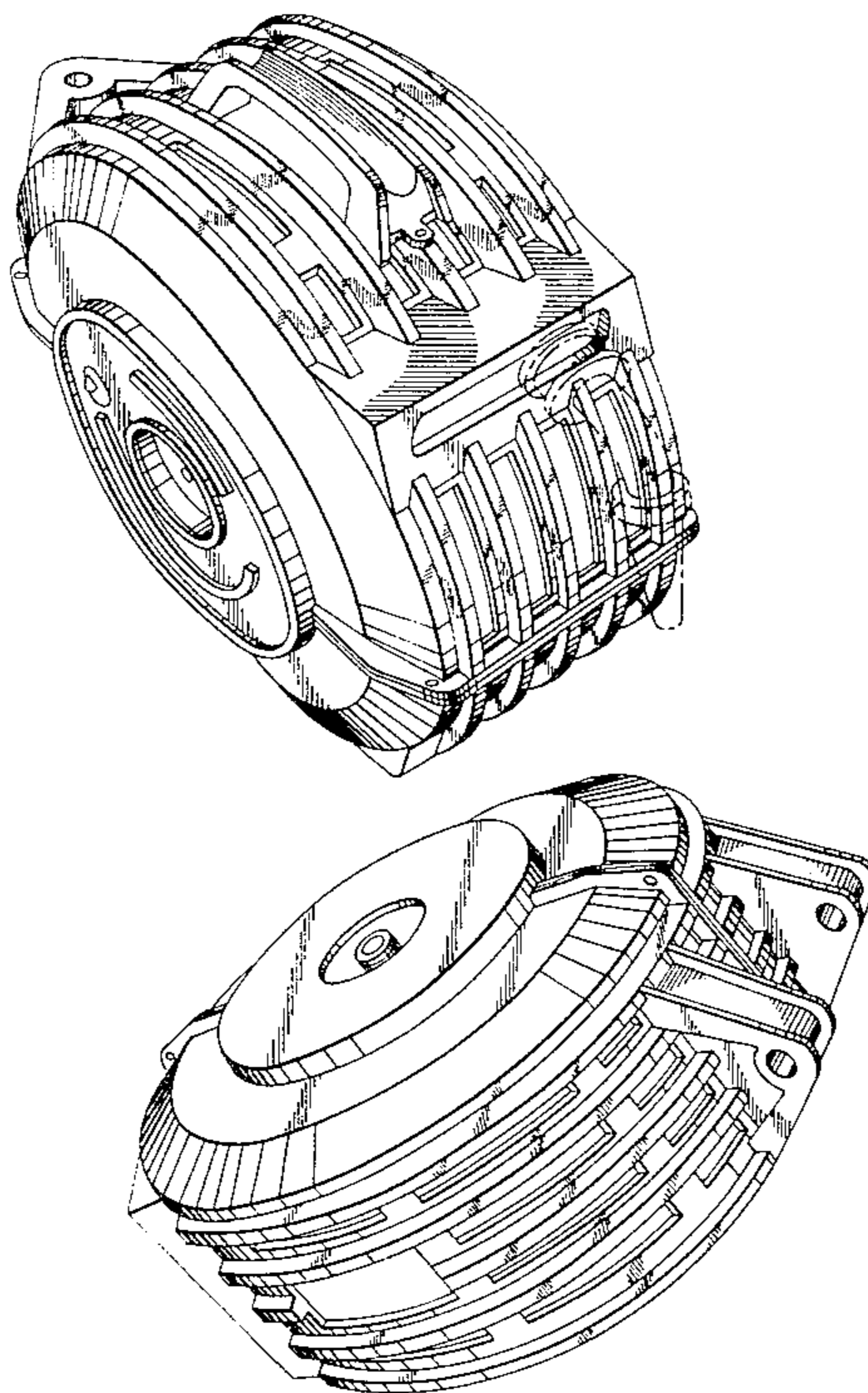
[57]

CLAIM

The ornamental design for a hose reeler, as shown.

DESCRIPTION

FIG. 1 is a front perspective view from above,
FIG. 2 is a rear perspective view from beneath.



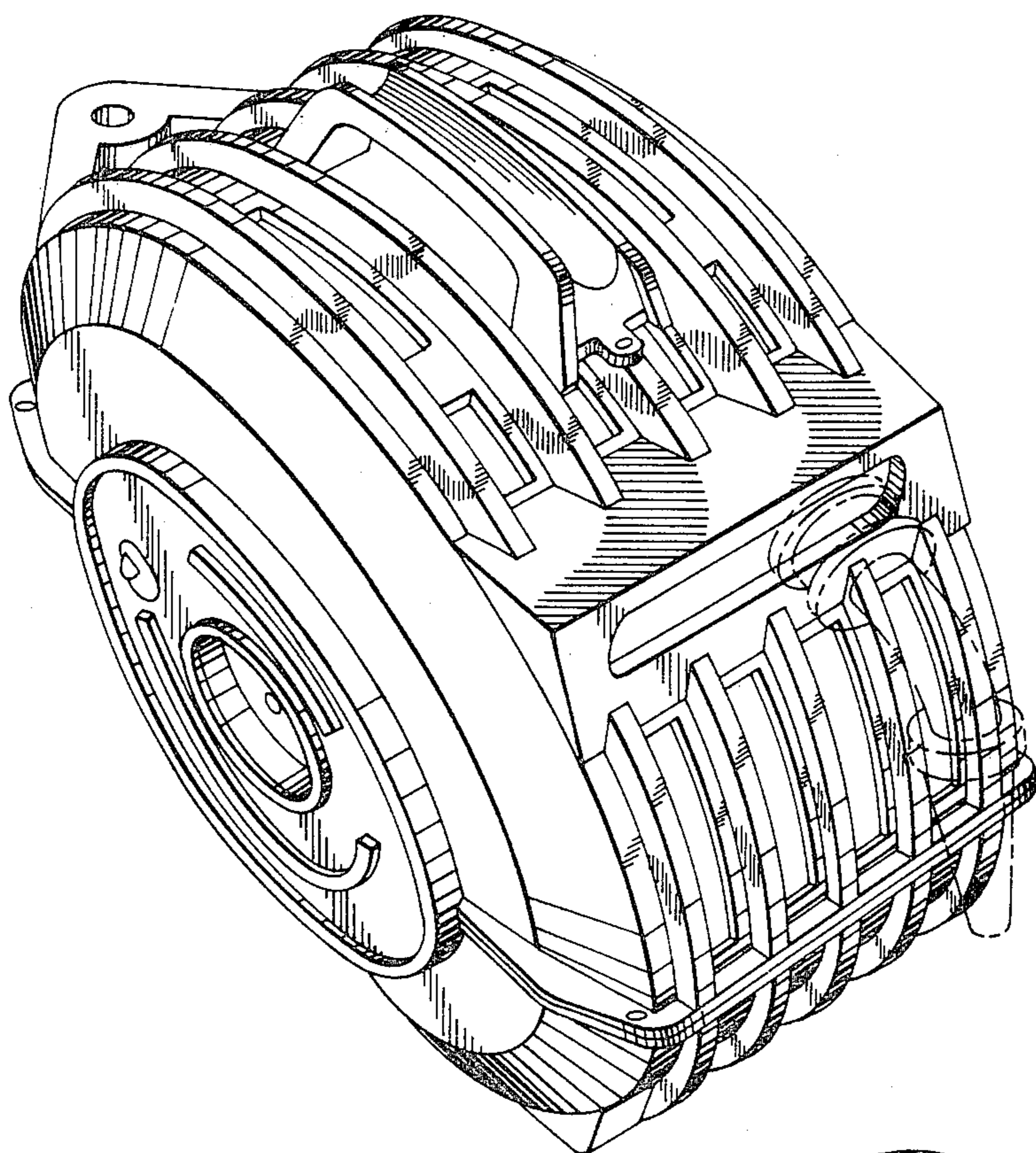


FIG. 1

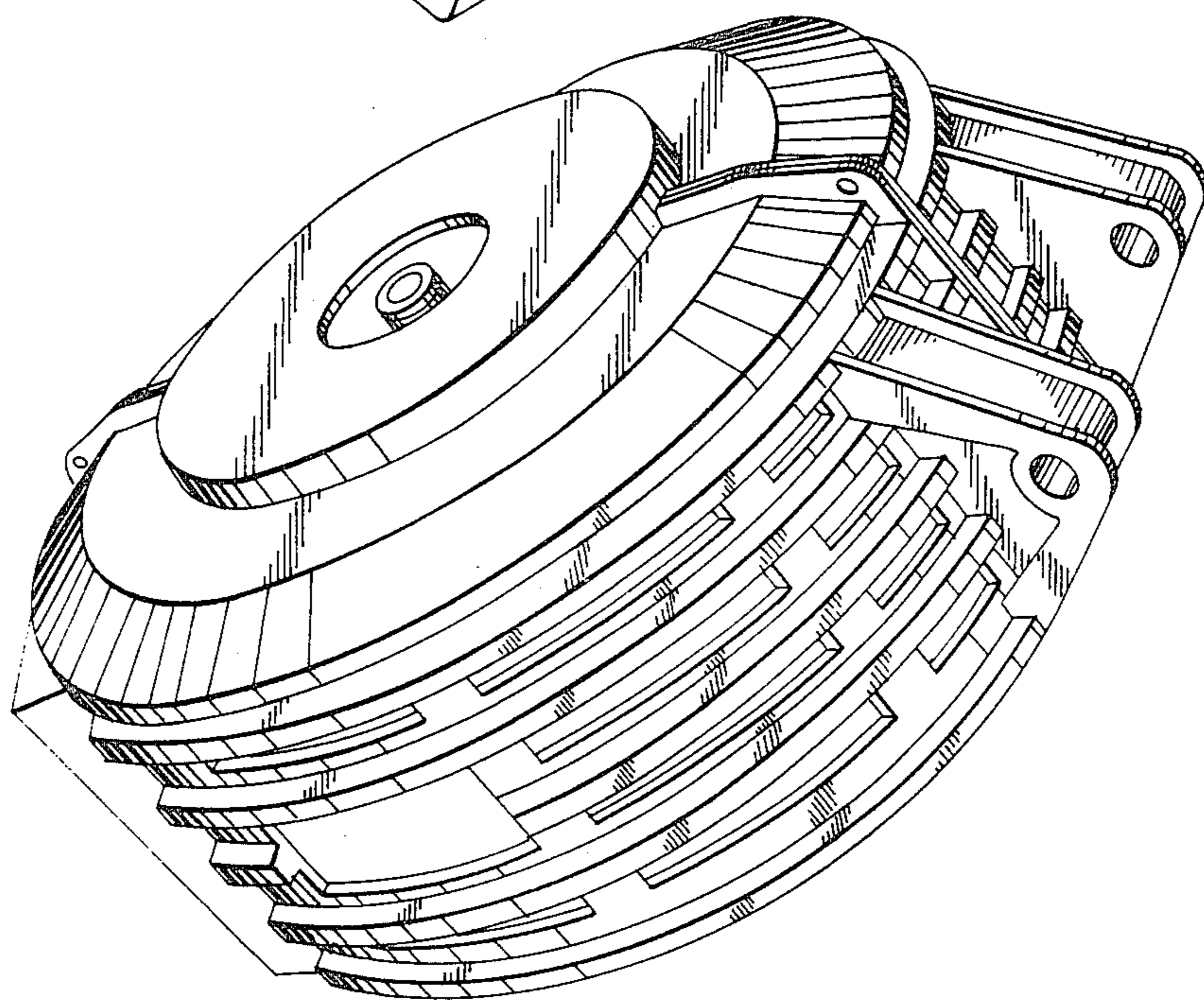


FIG. 2