

[54] COLLAPSIBLE REEL

[75] Inventor: James A. Dickens, Greensboro, N.C.

[73] Assignee: Percy O. Rucks, Greensboro, N.C.

[**] Term: 14 Years

[21] Appl. No.: 400,456

[22] Filed: Jul. 21, 1982

[52] U.S. Cl. D8/358

[58] Field of Search D8/356-359;
242/115, 118.4, 118.6, 118.61, 71.8, 71.9, 195,
110.1, 110.2, 110.3, 110, 118.2

[56] References Cited

U.S. PATENT DOCUMENTS

D. 40,107	6/1909	Whiteman	D8/358
D. 257,321	10/1980	Voorhees	D8/356
299,836	6/1884	Nadelhoffer	242/115
1,913,477	6/1933	Daubmeyer et al.	242/115
3,301,500	1/1967	Shackson	242/115
3,565,363	2/1971	Mizuguchi	242/115
3,661,341	5/1972	Eifrid	242/118.6
3,791,606	2/1974	Brown	242/115
3,830,445	8/1974	Moore	242/115

3,840,198	10/1974	Moore	242/71.9
4,101,095	7/1978	Carter	242/115
4,198,012	4/1980	Esmonde et al.	242/115

FOREIGN PATENT DOCUMENTS

467787	6/1937	United Kingdom	242/115
--------	--------	----------------	-------	---------

Primary Examiner—Wallace R. Burke

Assistant Examiner—H. B. Fay

[57] CLAIM

The ornamental design for a collapsible reel, as shown and described.

DESCRIPTION

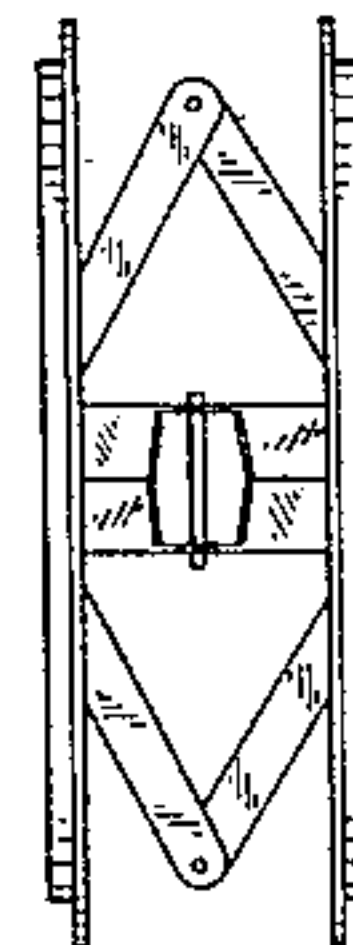
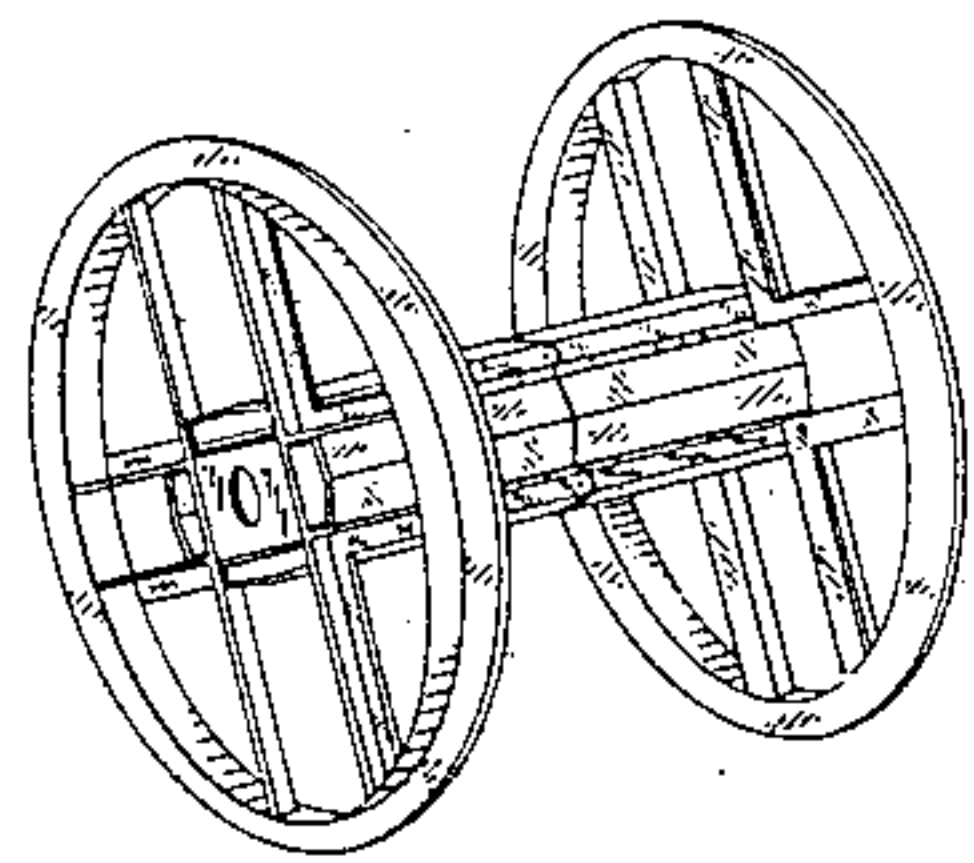
FIG. 1 is a front and side perspective view of a collapsible reel presented in a fully open posture showing my new design;

FIG. 2 is a front elevational view thereof in a collapsed posture;

FIG. 3 is a front elevational view thereof in a partially collapsed posture;

FIG. 4 is a side elevational view thereof; and

FIG. 5 is a front elevational view thereof in a fully open posture.



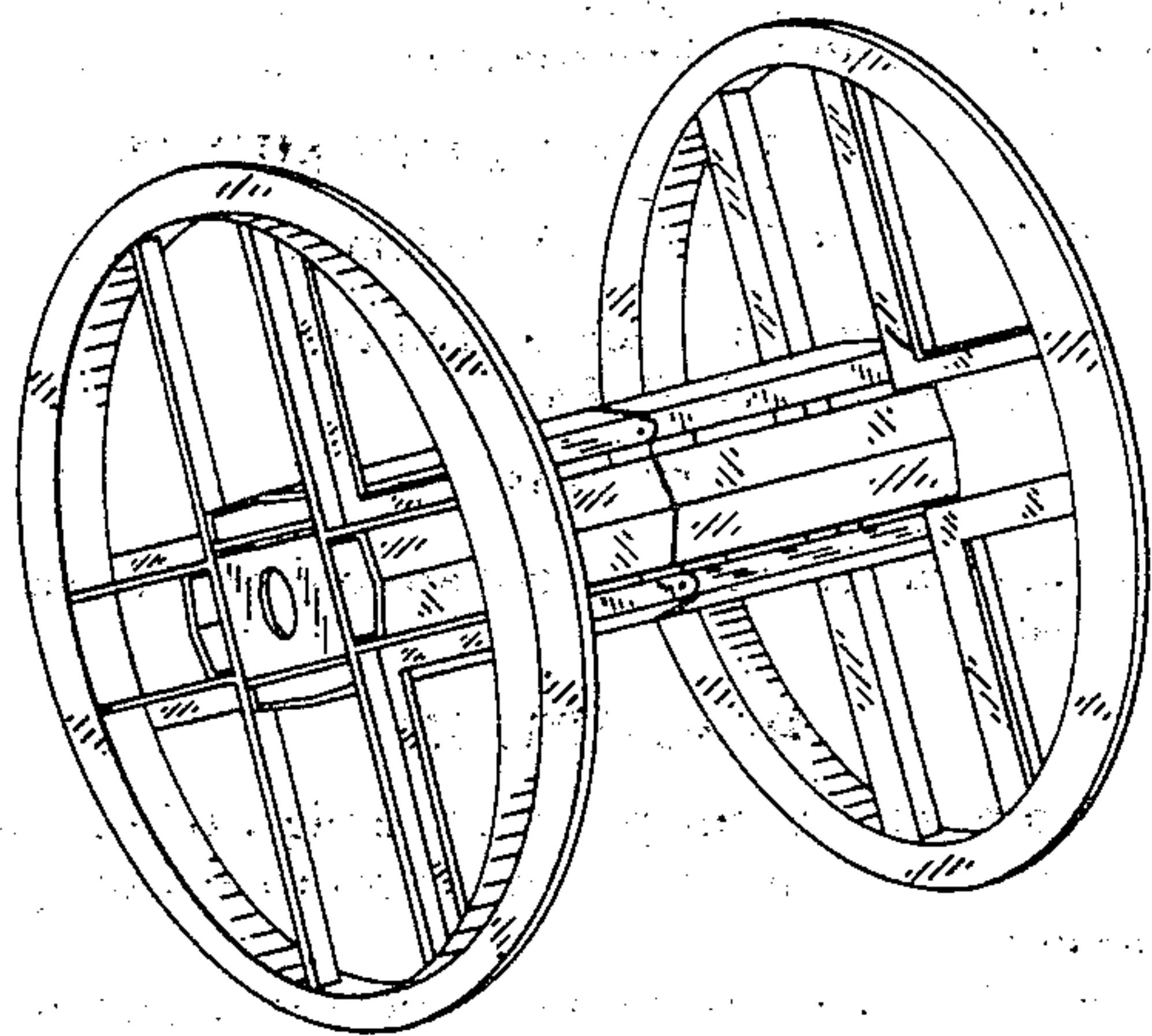


FIG. 1

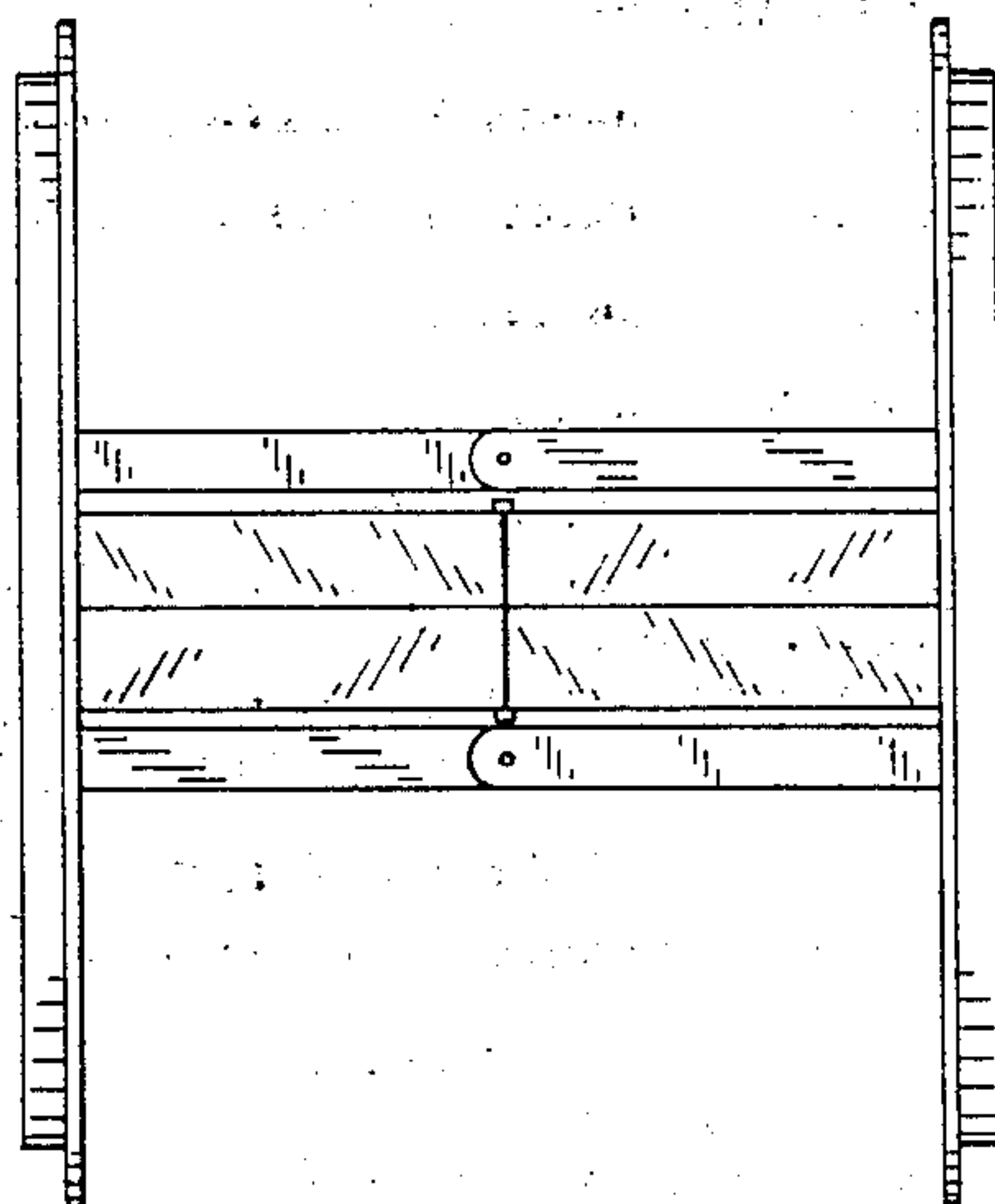


FIG. 5

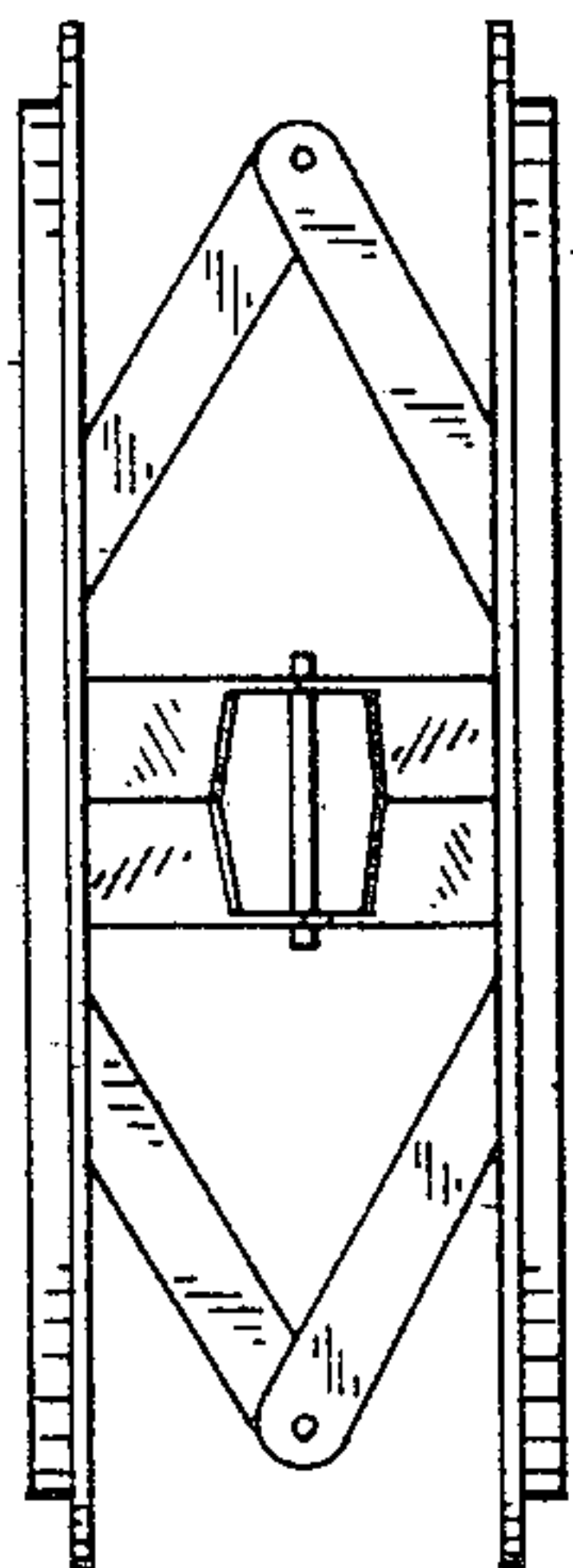


FIG. 2

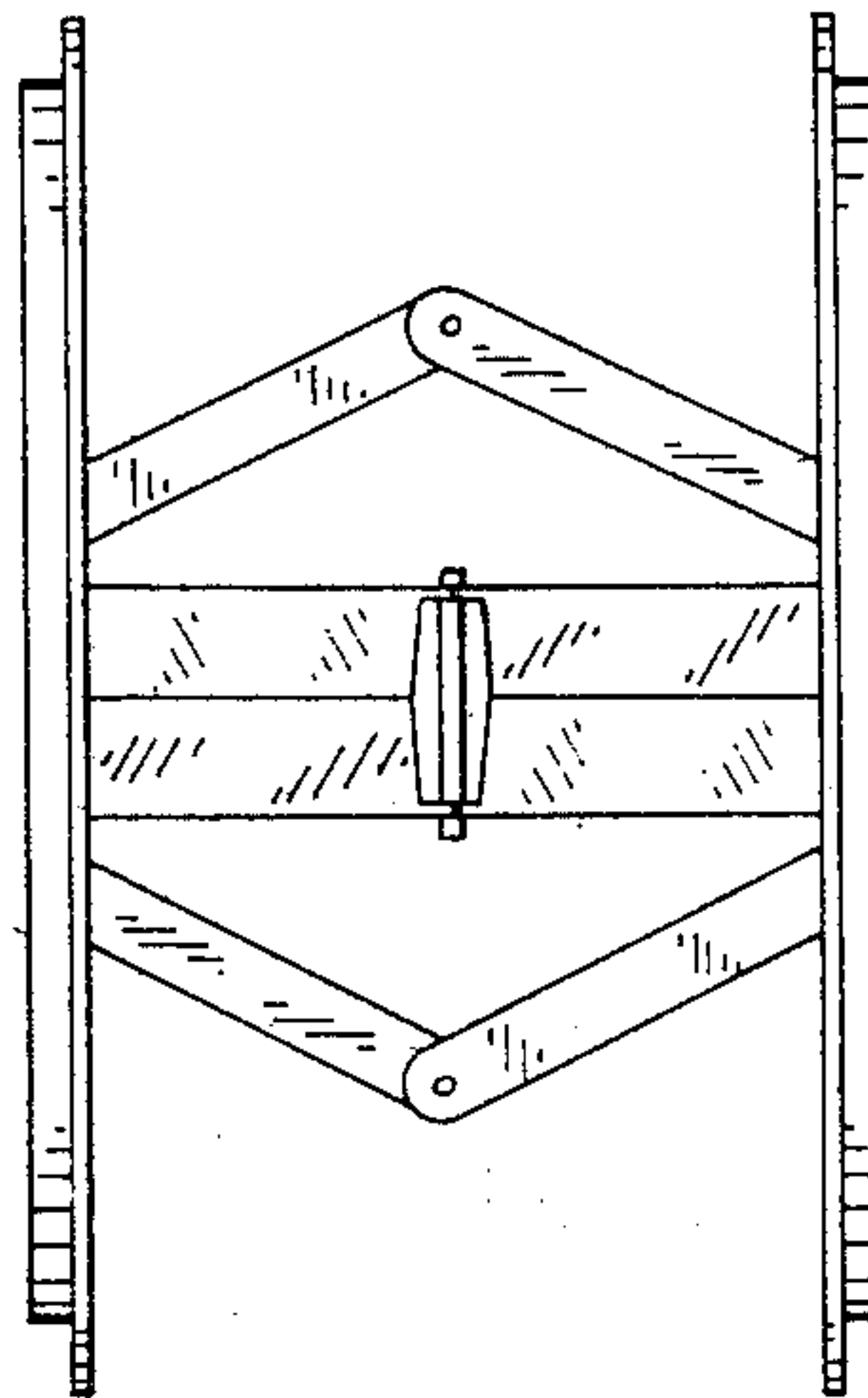


FIG. 3

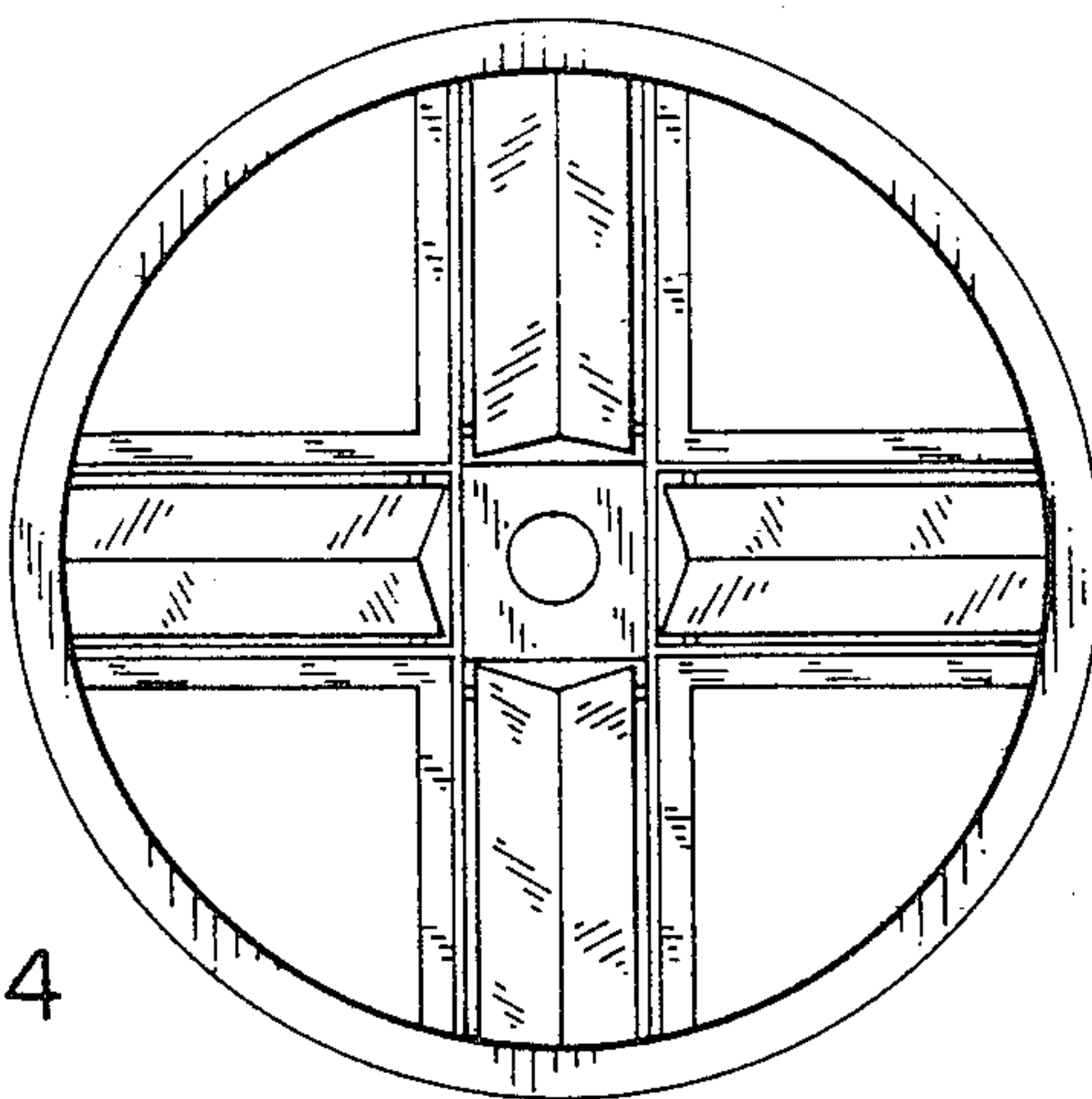


FIG. 4