

[54] COMBINATION REEL HOUSING AND RETRACTABLE DUAL CABLE UNIT FOR SECURING A BICYCLE

4,098,099 7/1978 Smith 70/18
4,126,024 11/1978 Timmons et al. 70/233
4,404,822 9/1983 Green 70/233

[76] Inventor: Jack Darrell, 1646 Old Spanish Trail, Houston, Tex. 77054

Primary Examiner—A Hugo Word
Assistant Examiner—Horace B. Fay
Attorney, Agent, or Firm—Jack Darrell

[**] Term: 14 Years

[57] CLAIM

[21] Appl. No.: 372,603

The ornamental design for a combination reel housing and retractable dual cable unit for securing a bicycle, substantially as shown and described.

[22] Filed: Apr. 28, 1982

[52] U.S. Cl. D8/358

[58] Field of Search D8/330, 358; 70/233, 70/18, 234

DESCRIPTION

[56] References Cited

U.S. PATENT DOCUMENTS

D. 226,165	1/1973	Miller	D8/358
D. 260,073	8/1981	Wells	D8/358
3,566,332	2/1971	Bonhomme	D8/358
3,756,008	9/1973	Smith	70/233
3,815,078	6/1974	Fedrick	D8/358
3,990,279	11/1976	Brickel	70/233
4,028,916	6/1977	Pender	70/233
4,086,795	5/1978	Foster et al.	70/233

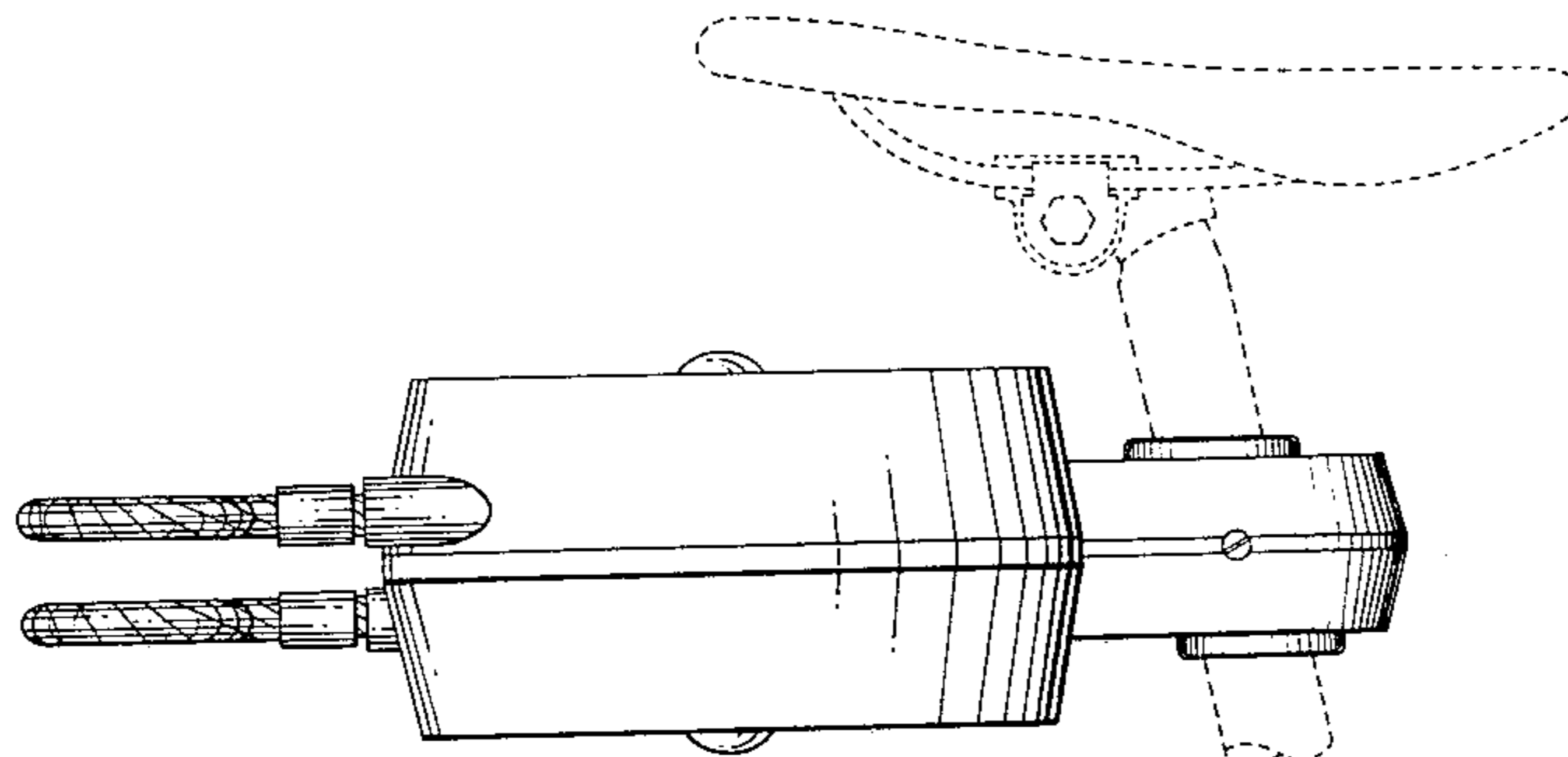
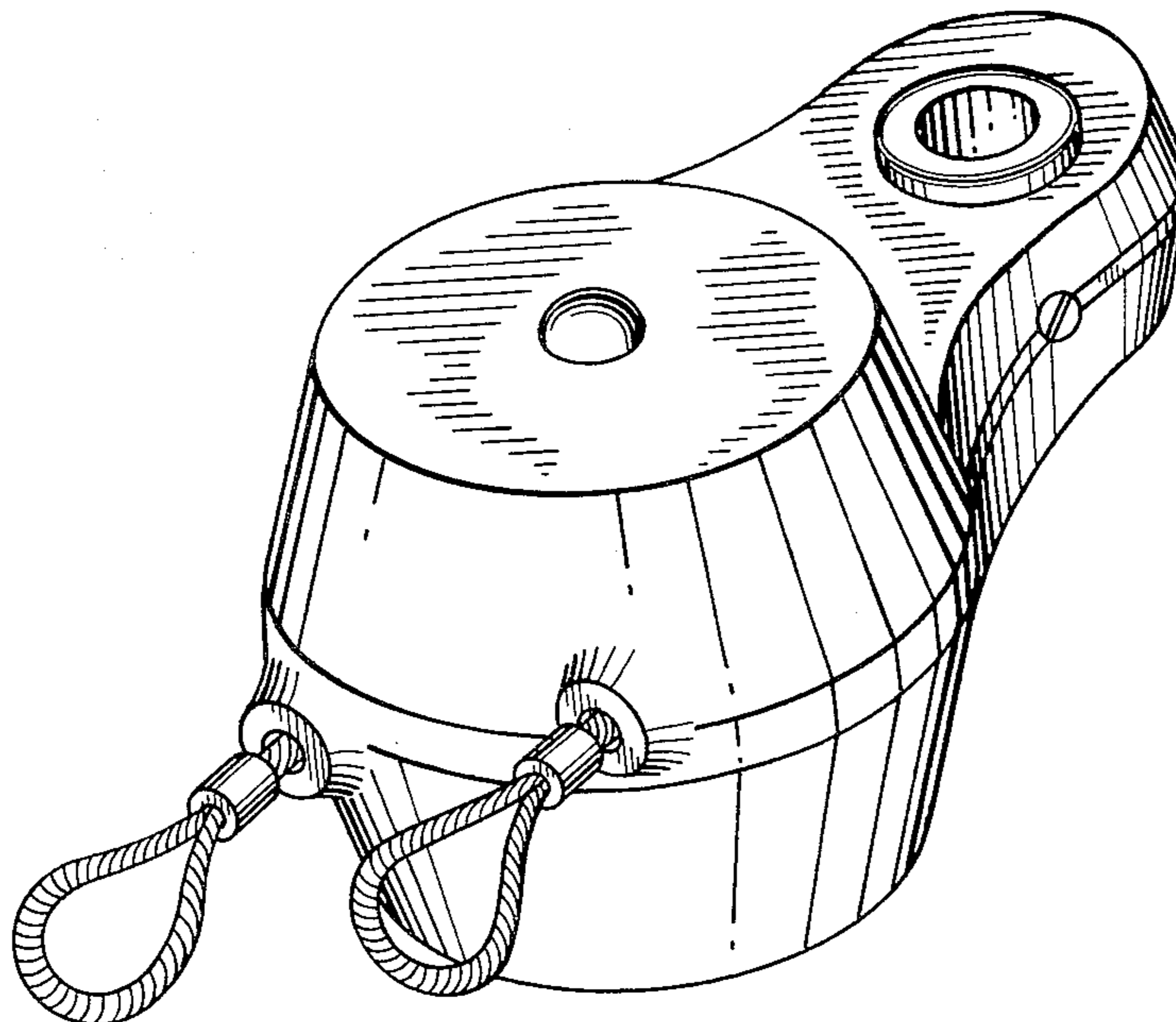
FIG. 1 is a perspective view taken from the rear, above and somewhat to one side of the housing from which the retracted cable ends protrude, of a combination reel housing and retractable dual cable unit showing my new design;

FIG. 2 is a top plan view thereof, the bottom plan view being substantially a mirror image thereto;

FIG. 3 is a right side elevational view thereof, the left side being substantially a mirror image thereto;

FIG. 4 is a front elevational view thereof; and

FIG. 5 is a rear elevational view thereof.



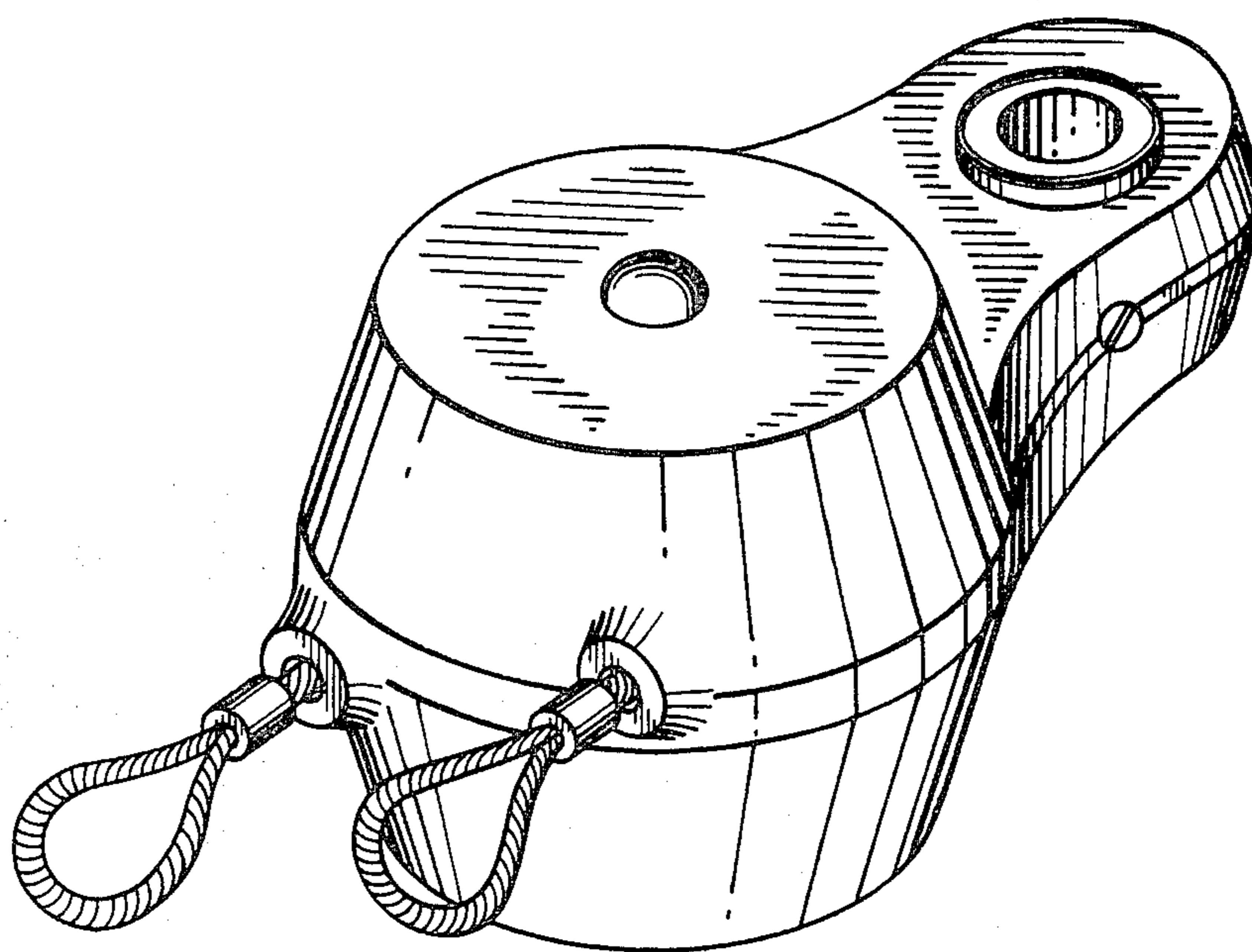


FIG. 1

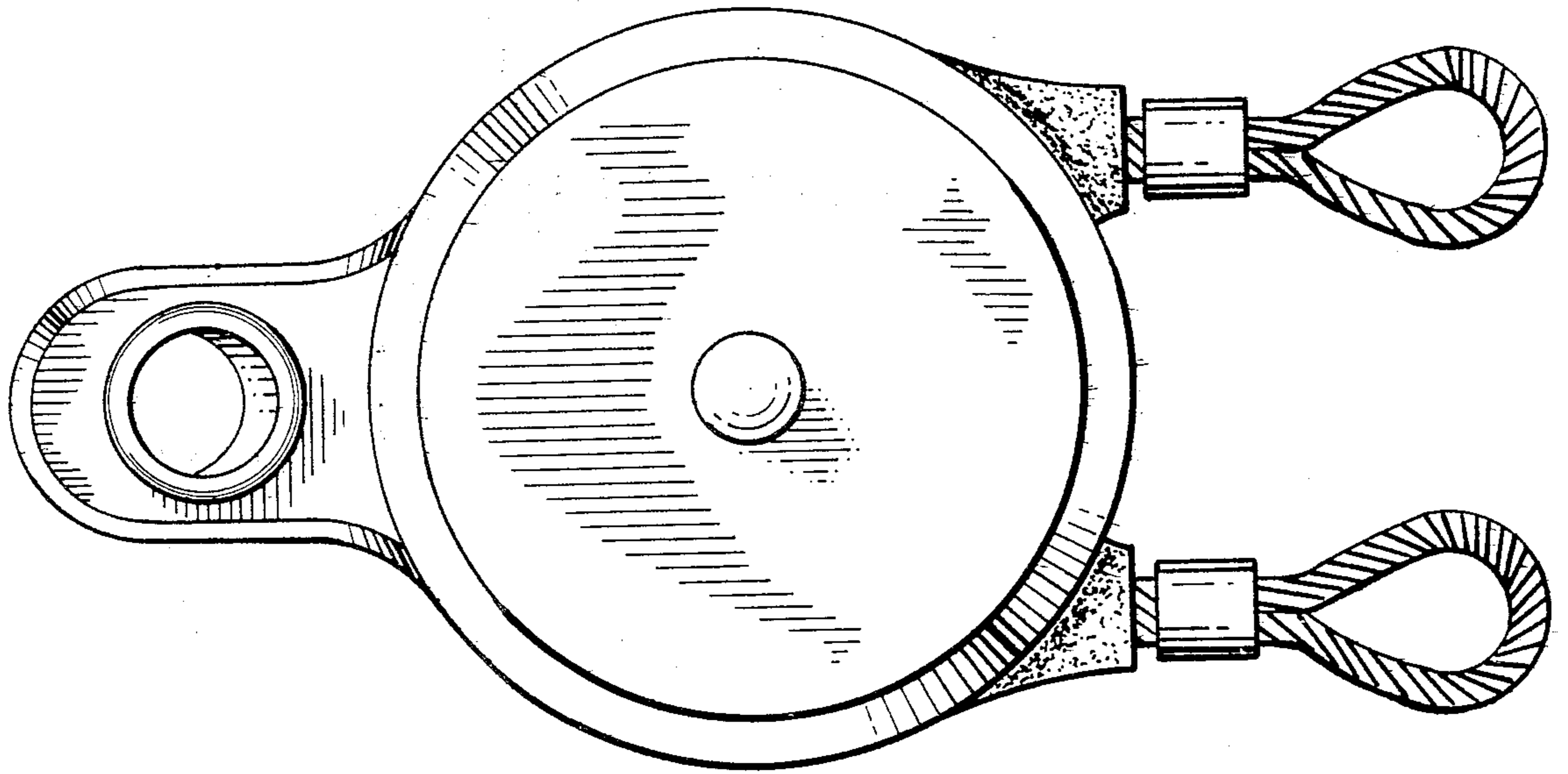


FIG. 2

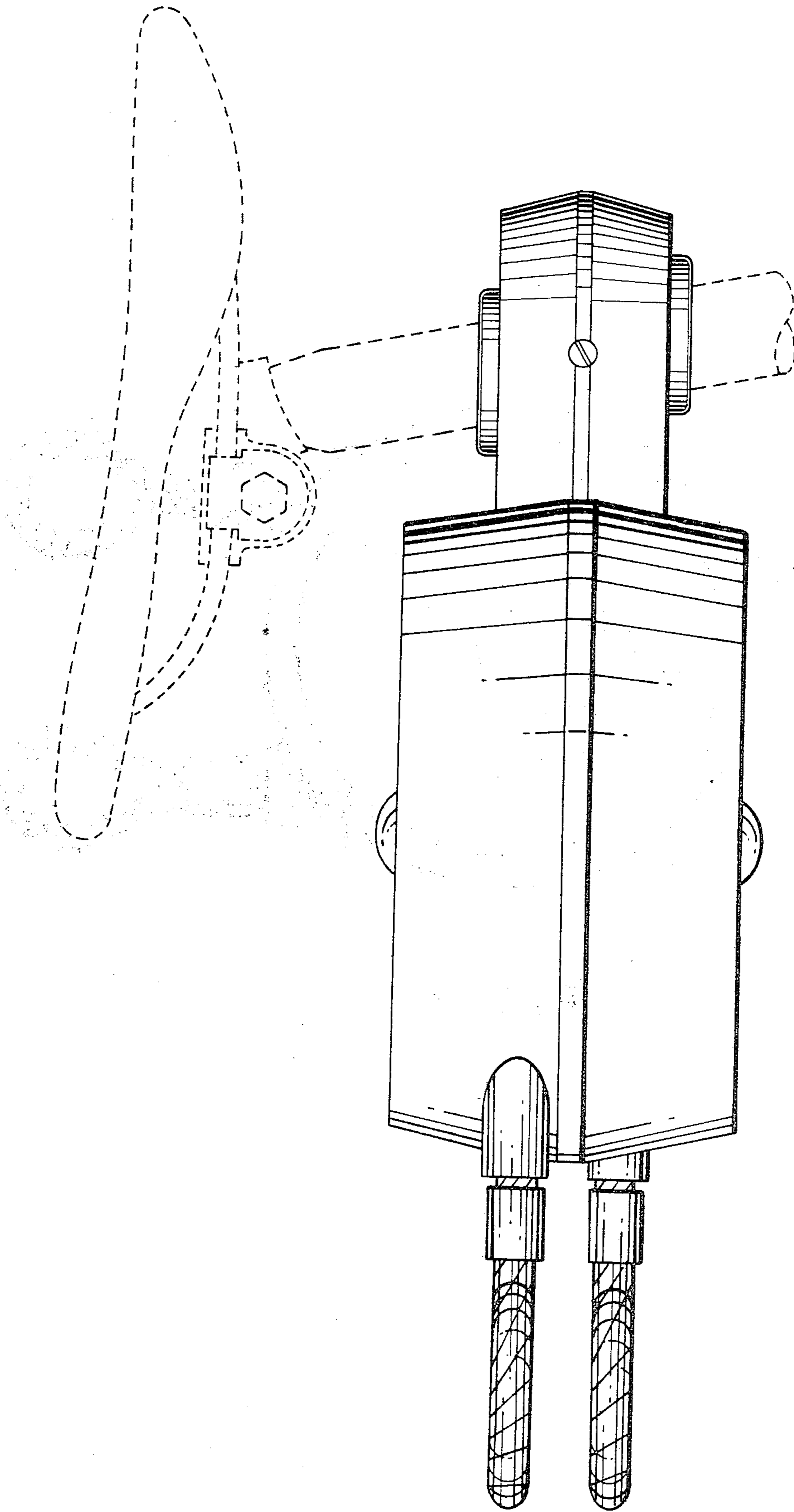


FIG. 3

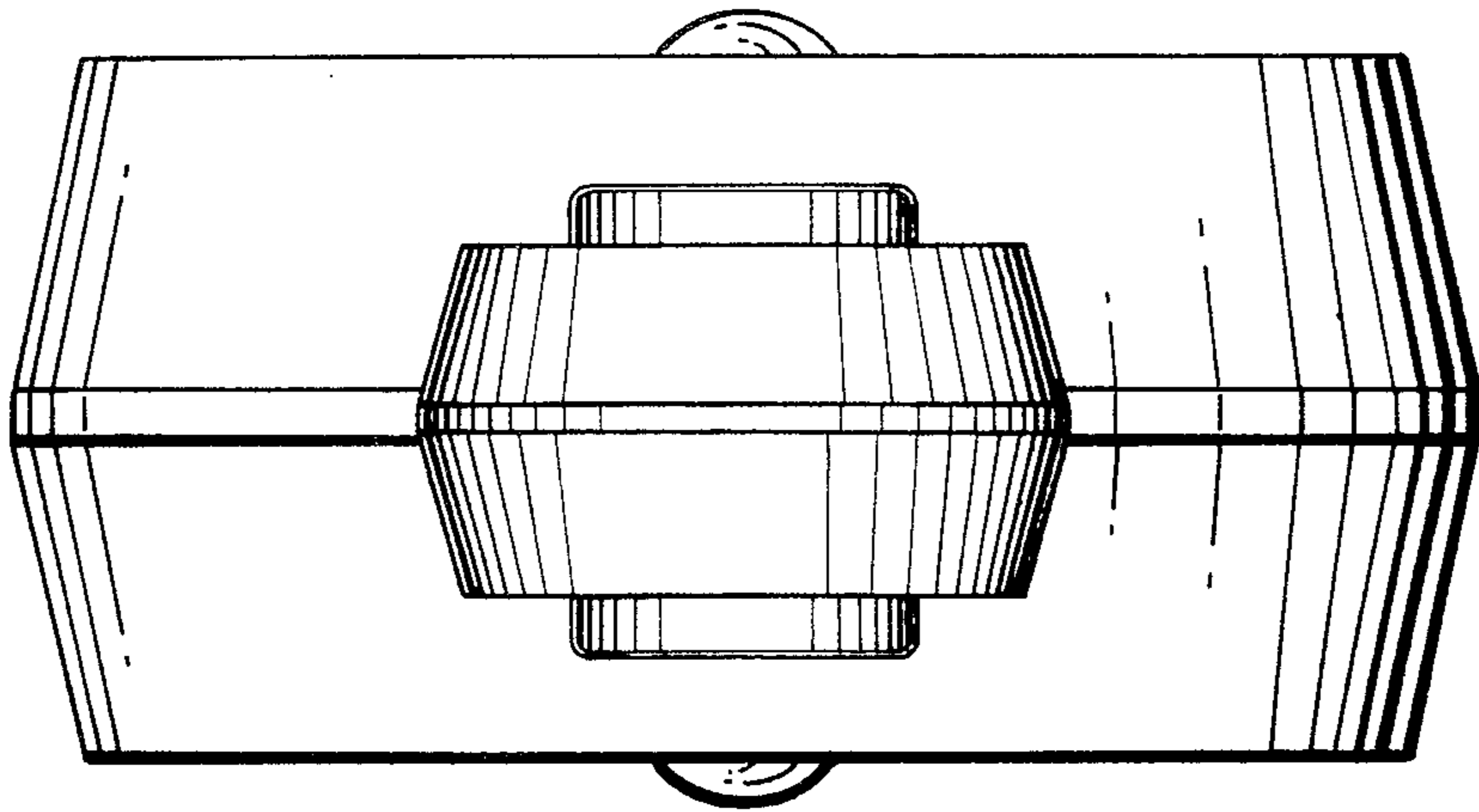


FIG. 4

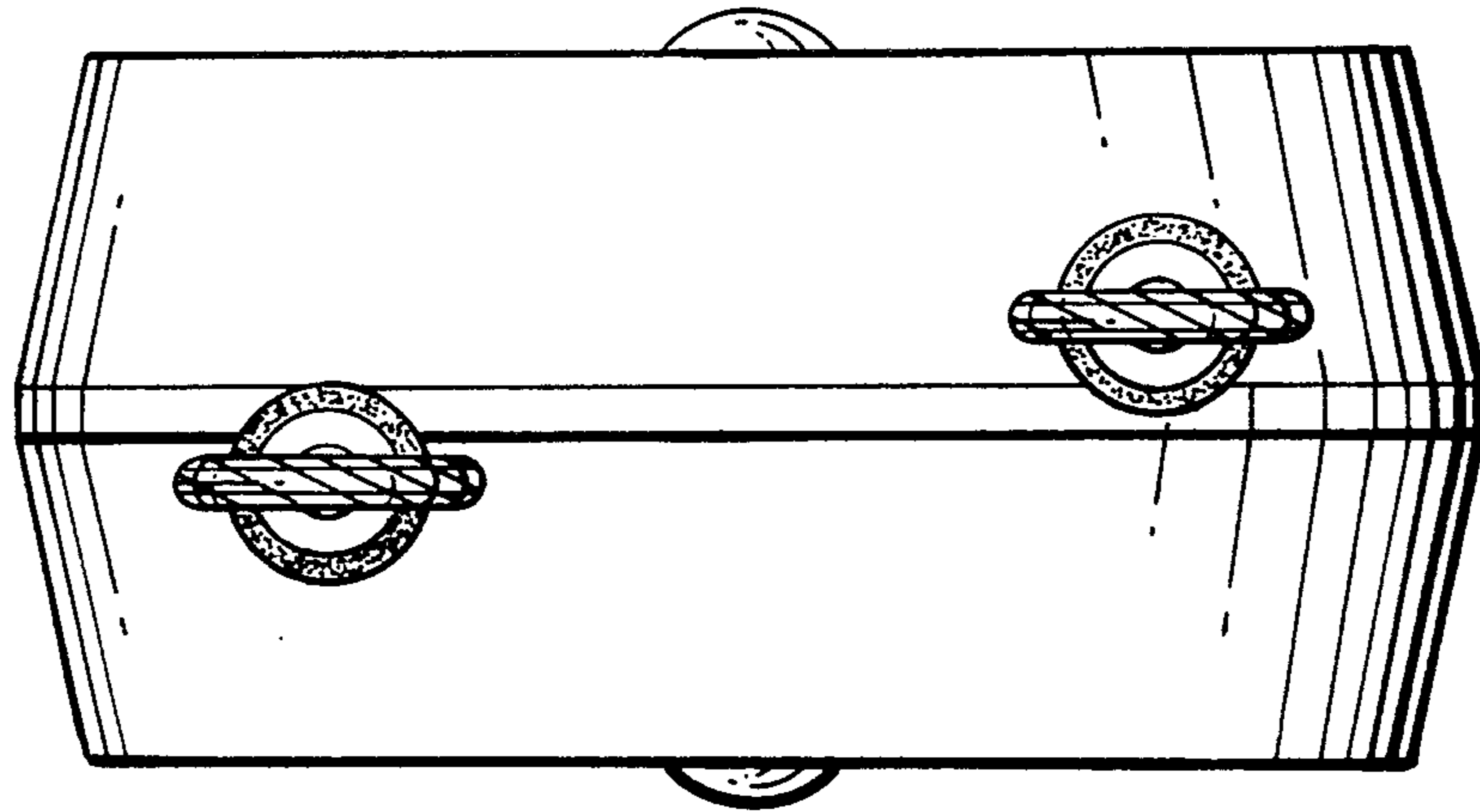


FIG. 5