

[54] HOE HEAD

[76] Inventor: Jess G. Baty, Rte. 4, Box 218, Forrest City, Ark. 72335

[**] Term: 14 Years

[21] Appl. No.: 420,589

[22] Filed: Sep. 20, 1982

[52] U.S. Cl. D8/11

[58] Field of Search D8/1-13; D7/114-116; 172/371, 372, 375

[56] References Cited

U.S. PATENT DOCUMENTS

132,444	10/1872	Cookerly	172/371
149,094	3/1874	Brown	D8/7
1,000,473	8/1911	Wilson	172/371
2,773,318	12/1956	Hemsath et al.	172/371
3,915,240	10/1975	Pittman	D8/11
4,191,261	3/1980	Tarantino	172/371

FOREIGN PATENT DOCUMENTS

436472	of 1948	Italy	172/375
--------	---------	-------	---------

OTHER PUBLICATIONS

Simmons Hardware Co. ©1939 Catalog, Cultivator Hoes, Nos. AB K10, AB K BB6, p. 1116.

Primary Examiner—A. Hugo Word
Assistant Examiner—Horace B. Fay
Attorney, Agent, or Firm—Walker & McKenzie

[57] CLAIM

The ornamental design for a hoe head, substantially as shown.

DESCRIPTION

FIG. 1 is a right side elevational view of a first embodiment of the hoe head showing my new design, the left side being substantially identical thereto.

FIG. 2 is a front elevational view thereof.

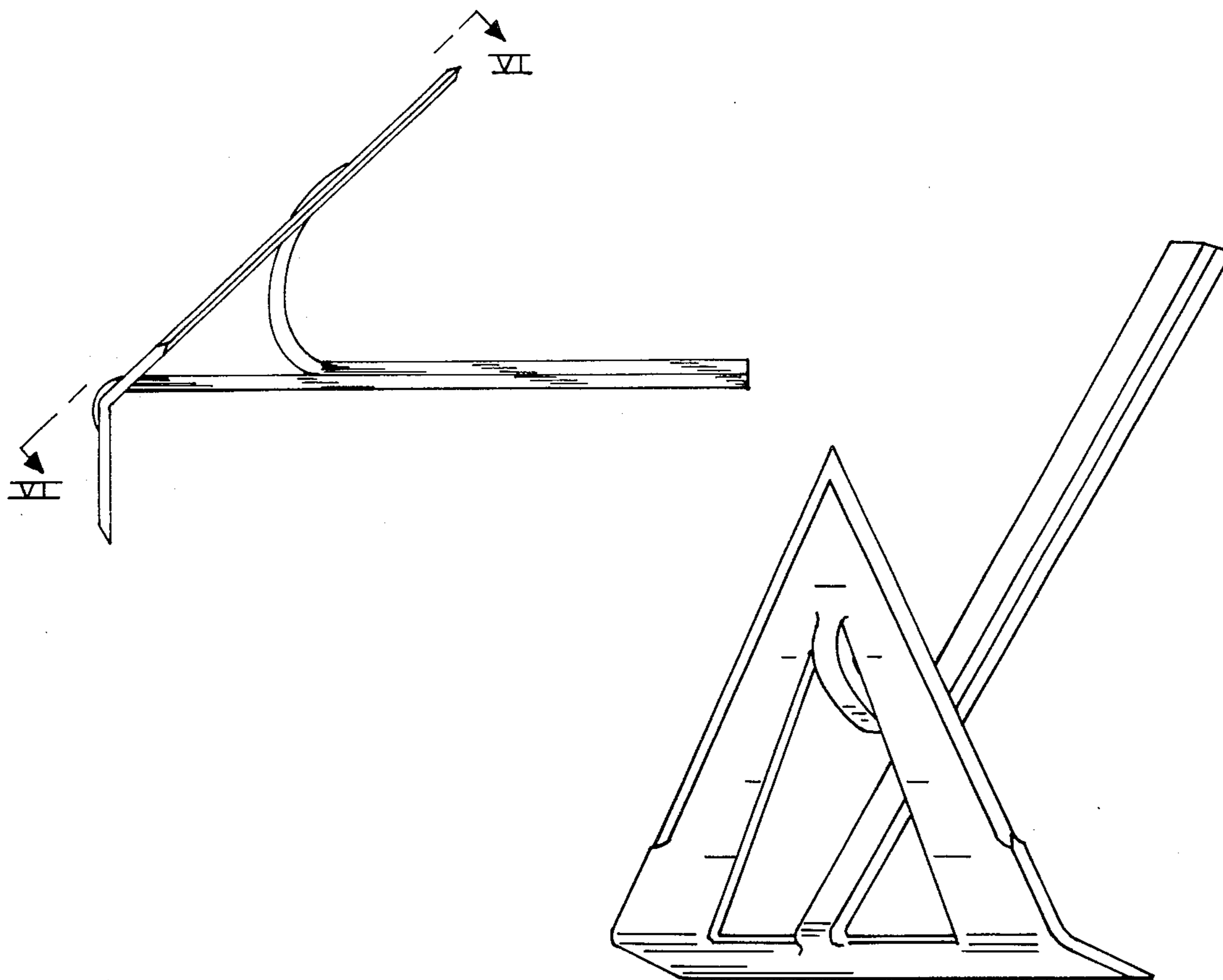
FIG. 3 is a rear elevational view thereof.

FIG. 4 is a top plan view thereof.

FIG. 5 is a bottom plan view thereof.

FIG. 6 is a partial auxiliary view of a portion thereof as taken on line VI—VI of FIG. 1 to better show the true shape of a portion thereof.

FIG. 7 is a perspective view of the first embodiment as seen from above and somewhat to one side.



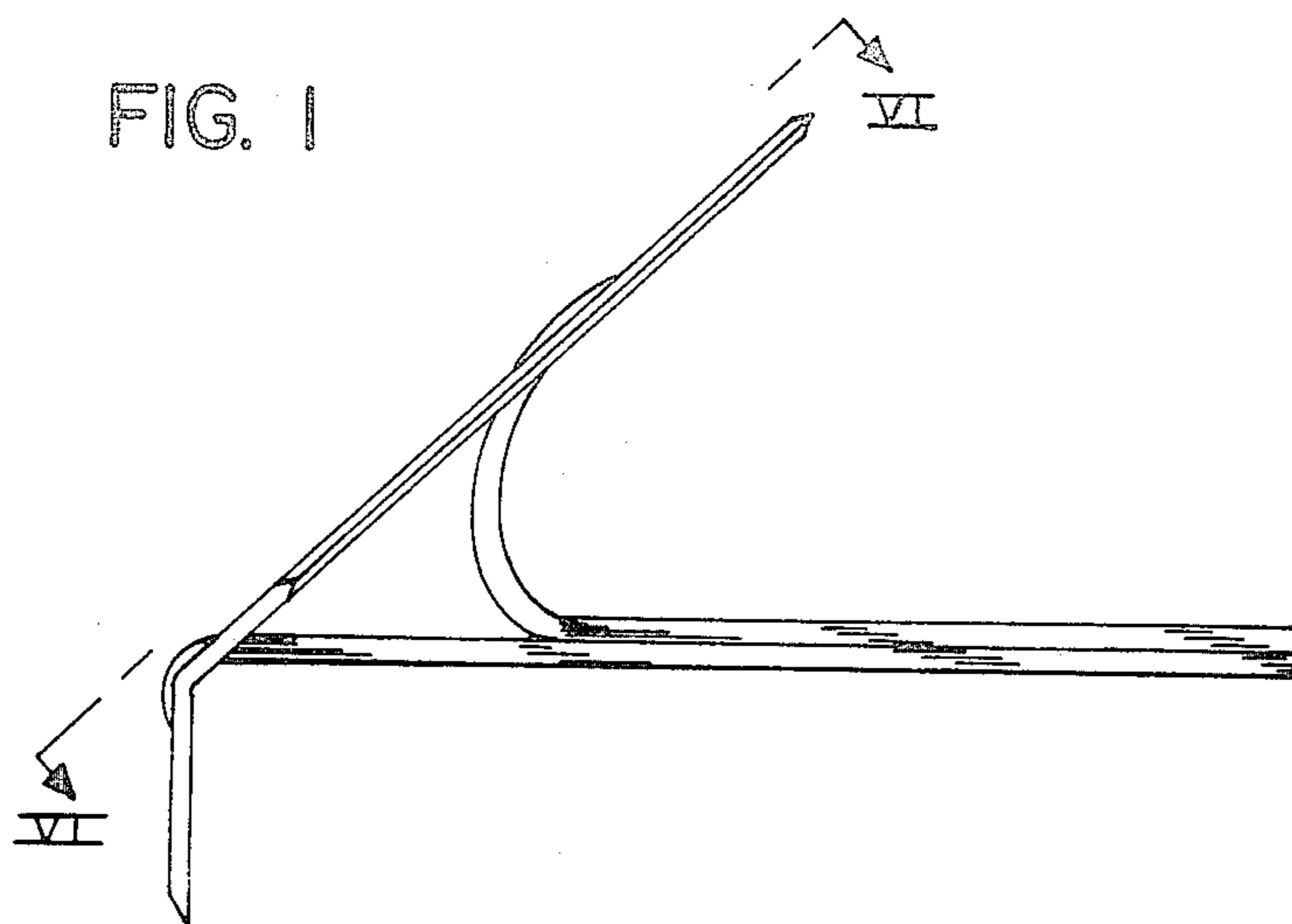


FIG. 2

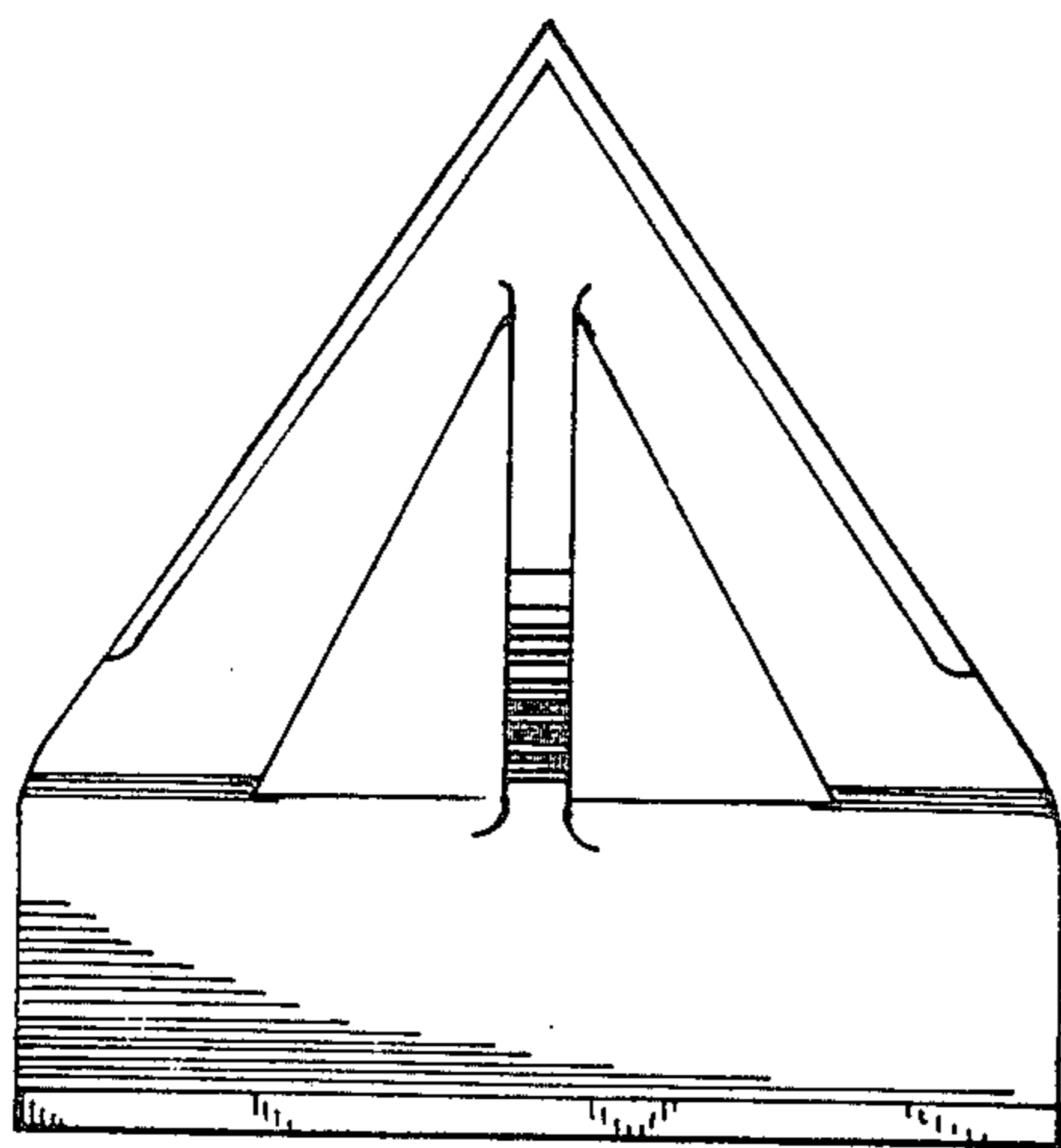


FIG. 3

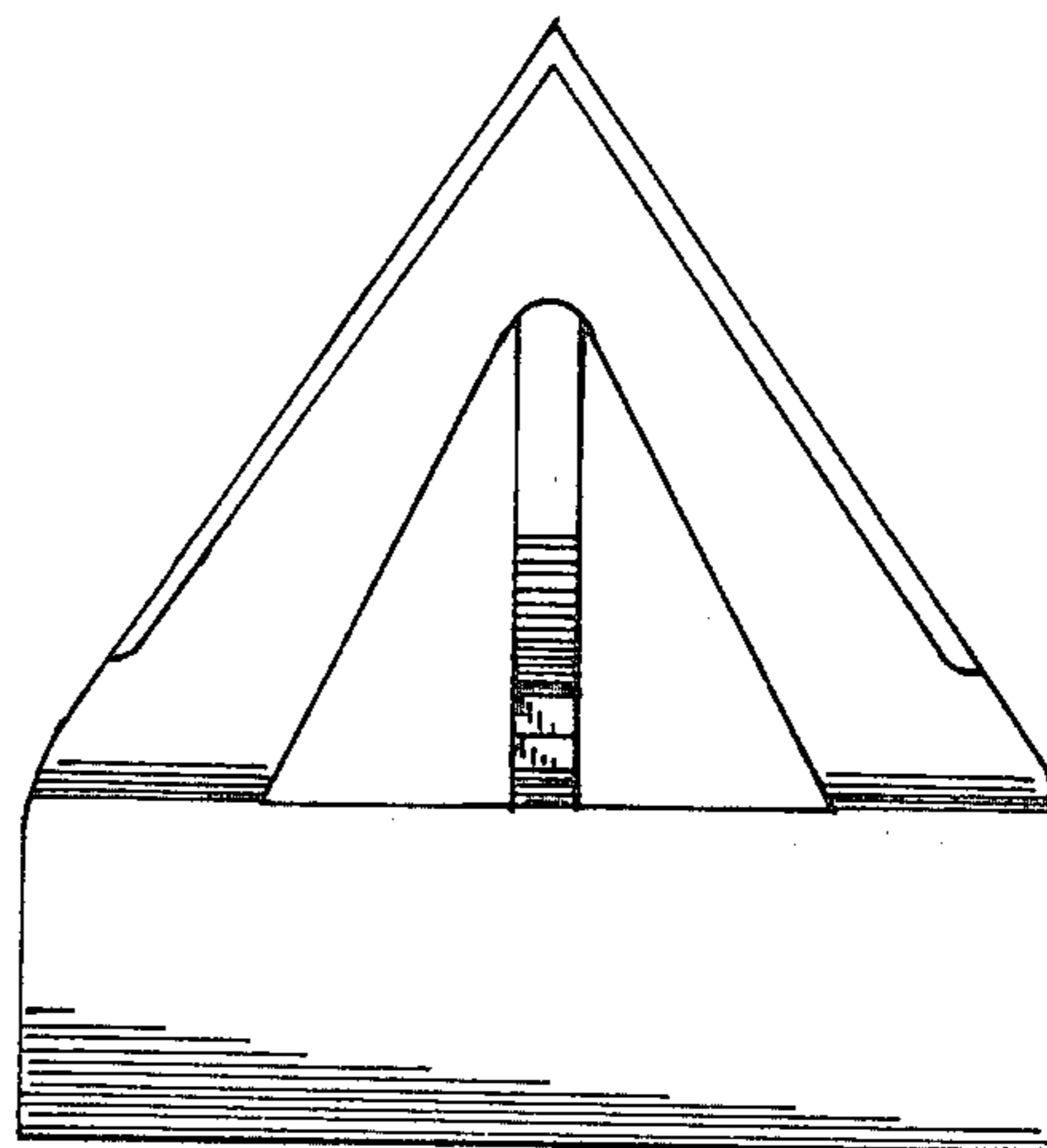


FIG. 4

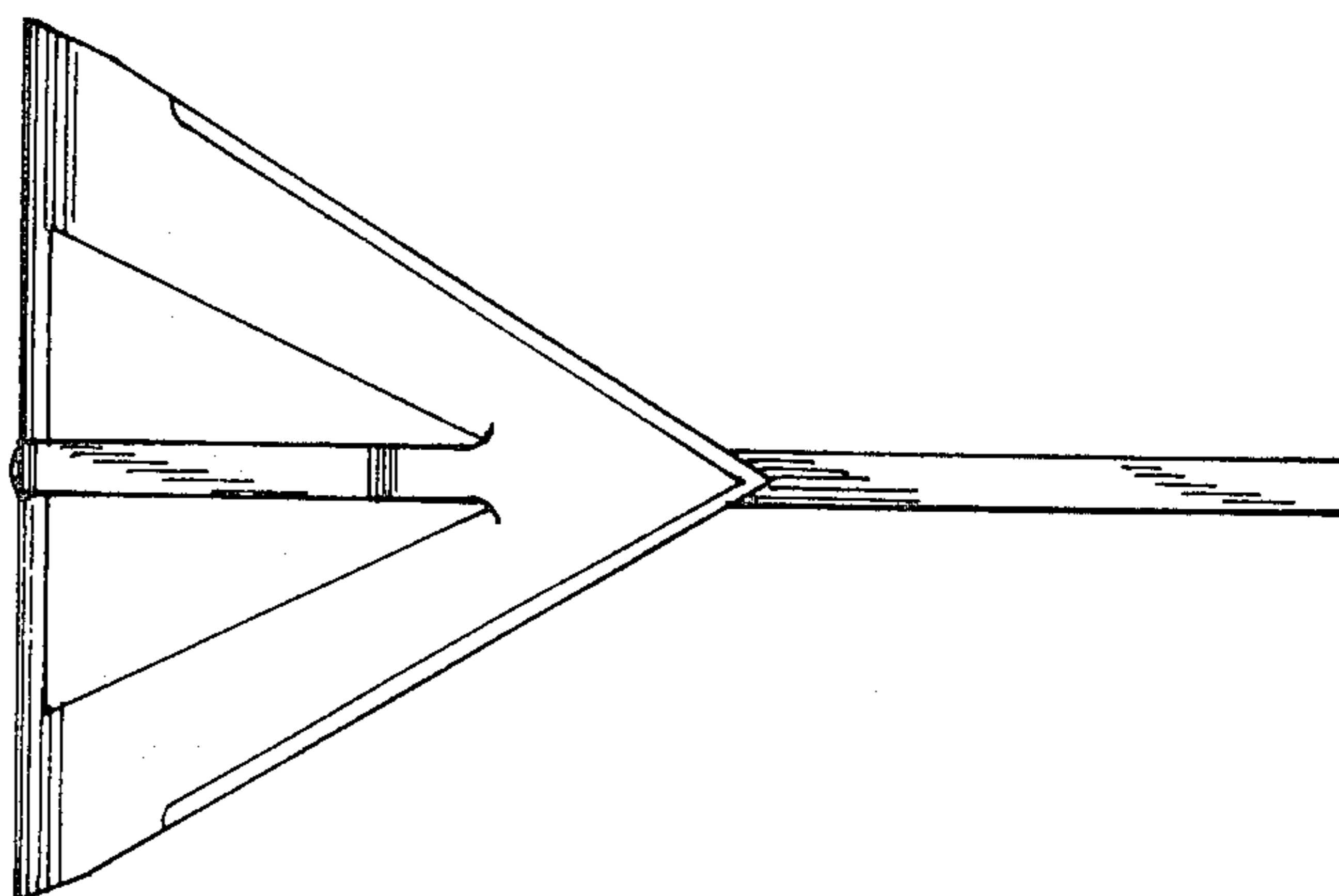


FIG. 5

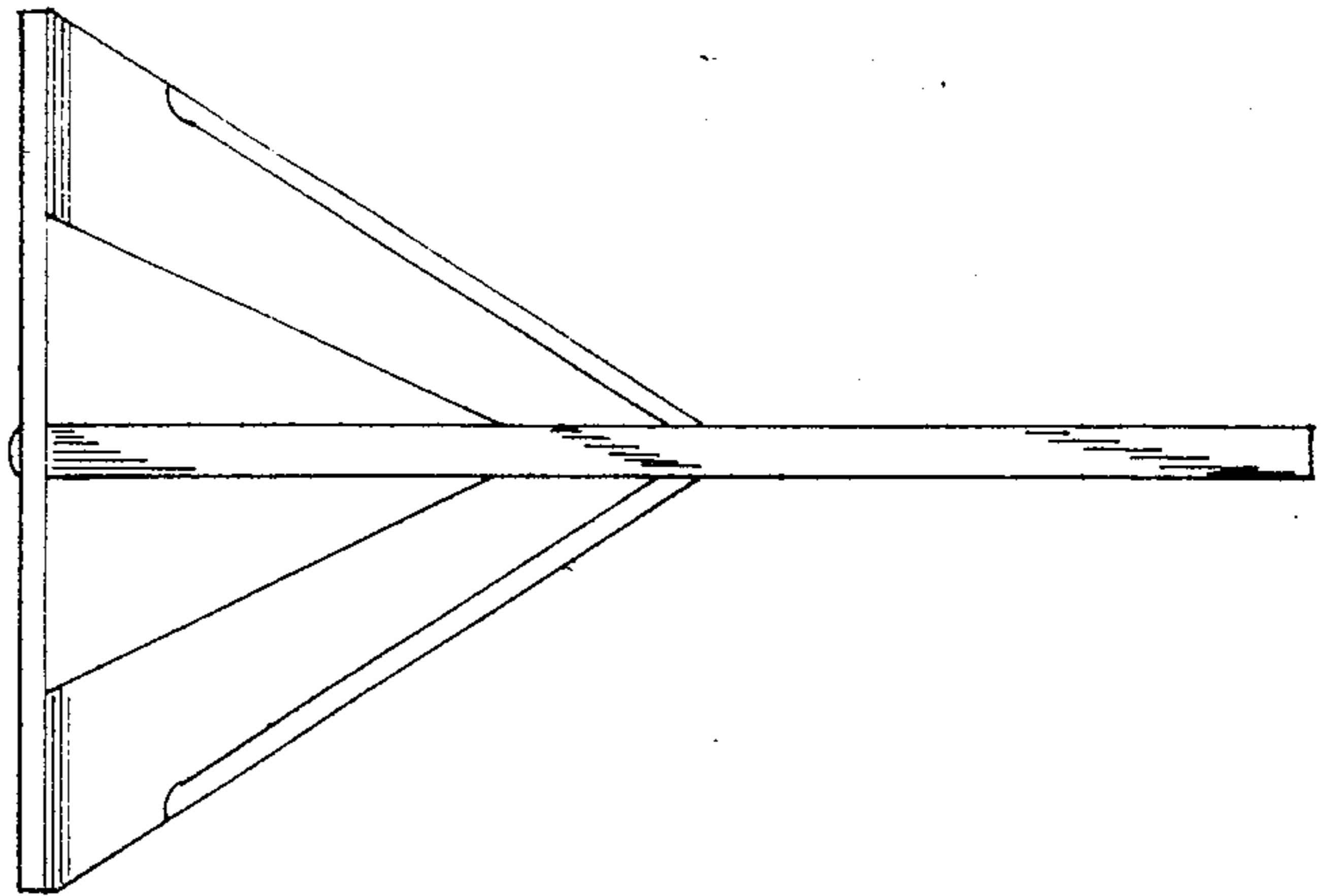


FIG. 6

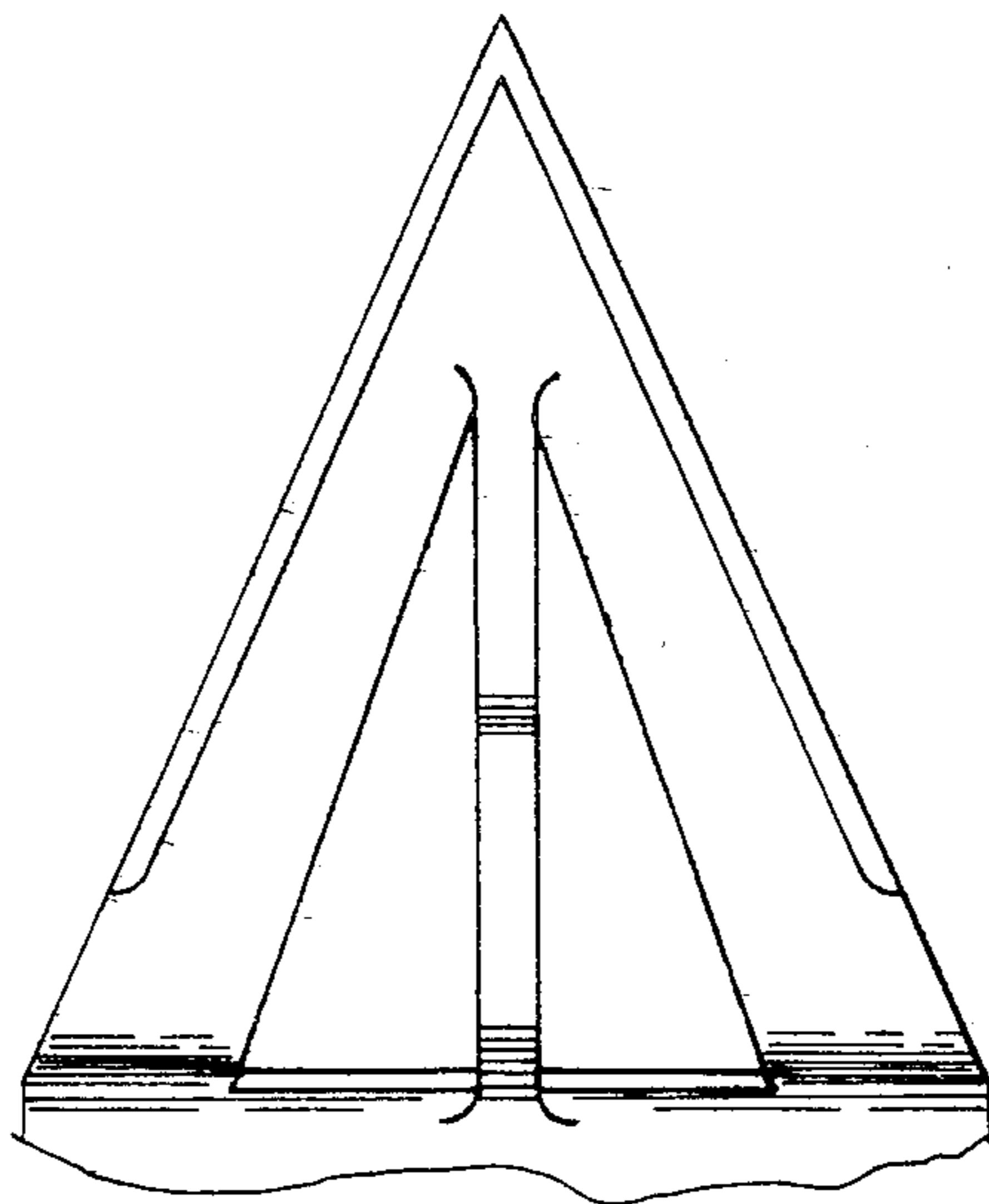


FIG. 7

