

[54] **HANDLE**

[75] **Inventor:— William C. Cesaroni, Glenview, Ill.**

[73] **Assignee: Dart Industries Inc., Northbrook, Ill.**

[**] **Term: 14-Years**

[21] **Appl. No.: 441,871**

[22] **Filed: Nov. 15, 1982**

[52] **U.S. Cl. D7/394**

[58] **Field of Search D7/394, 393, 387, 360,
D7/361, 354; D8/306, 307; 16/110 A, 110 S;
110 R, 114 A, 114 R, 111 R, 124, 125; 294/31.1,
27.1**

[56] **References Cited**

U.S. PATENT DOCUMENTS

D. 218,564 9/1970 Stevens D7/360
3,010,688 11/1961 Serio 16/114 A X
3,774,263 11/1973 Day et al. 16/114 A

FOREIGN PATENT DOCUMENTS

1294611 5/1969 Fed. Rep. of Germany ... 16/110 A
2518954 8/1976 Fed. Rep. of Germany ... 16/110 A

OTHER PUBLICATIONS

Home Furnishing Supplement, Sep. 8, 1980, p. 3, 2 Two
Handled Kikyo Formal Cookware.

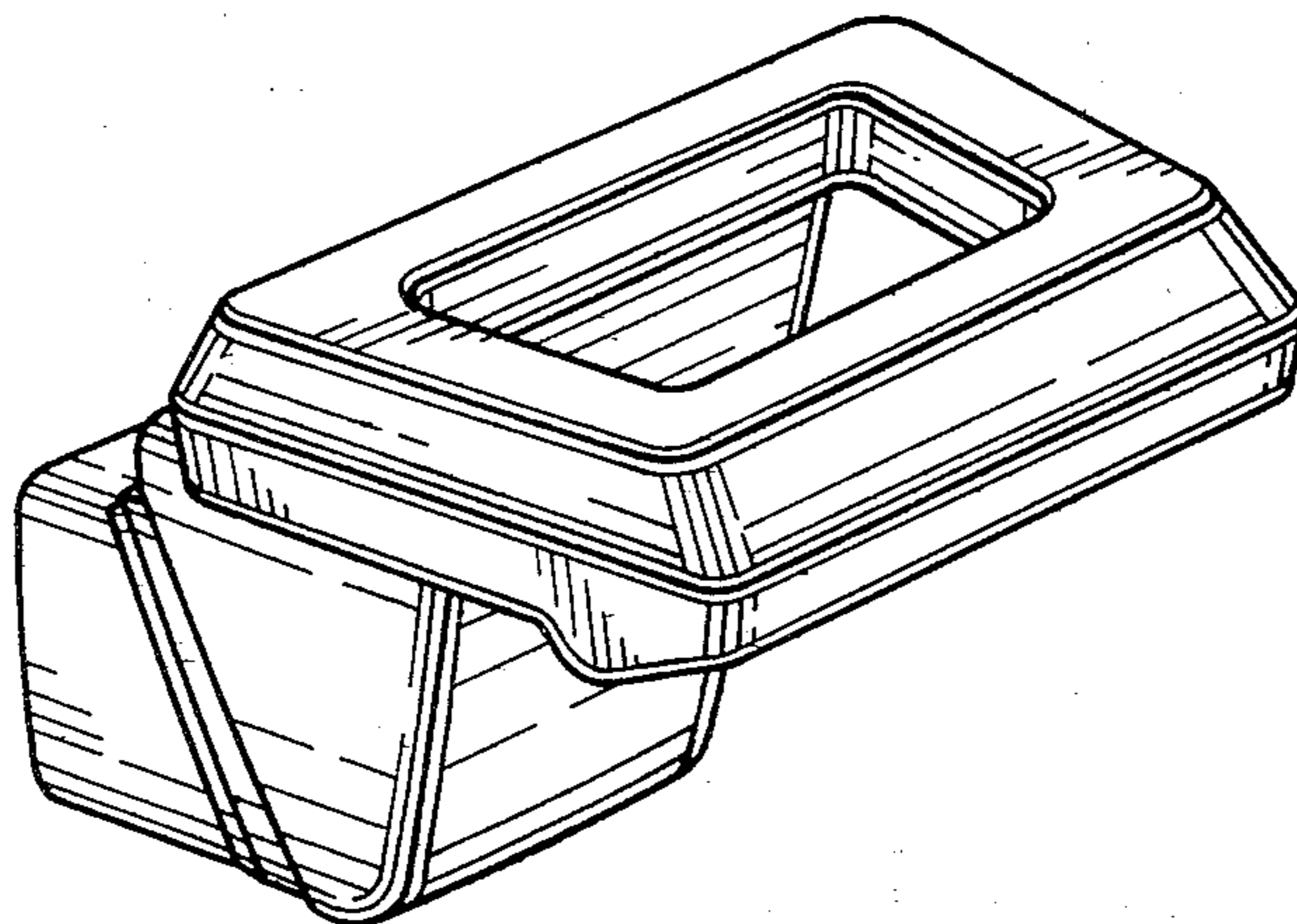
Primary Examiner—Bernard Ansher
Assistant Examiner—Linda M. Titolo
Attorney, Agent, or Firm—Gregory J. Mancuso

[57] **CLAIM**

The ornamental design for a handle, substantially as is
shown.

DESCRIPTION

FIG. 1 is a front perspective view of the handle show-
ing my new design;
FIG. 2 is a top plan view thereof;
FIG. 3 is a front elevation view thereof;
FIG. 4 is a side elevation view thereof;
FIG. 5 is a rear elevation view thereof; and
FIG. 6 is a bottom plan view thereof.



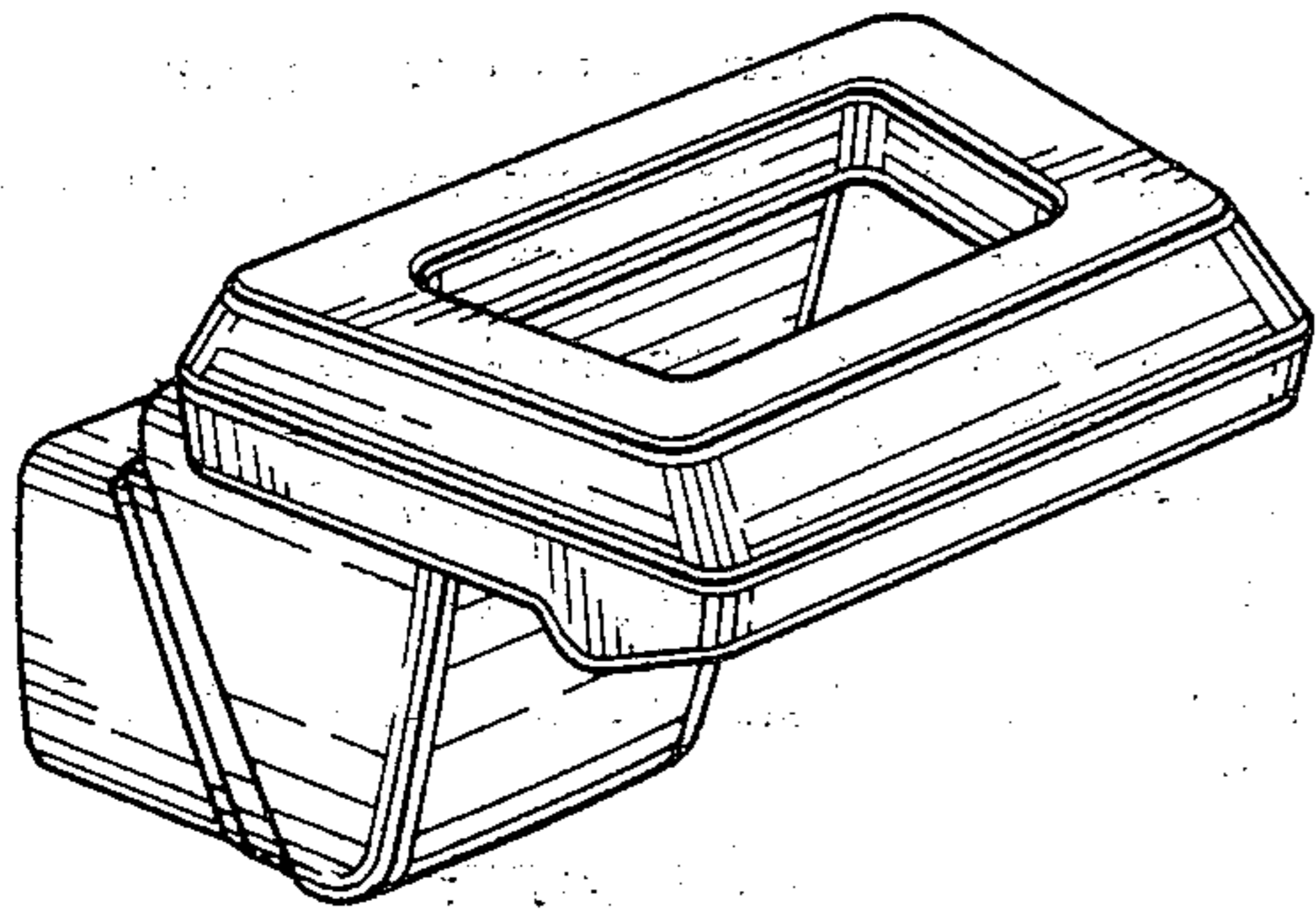


FIG. 1

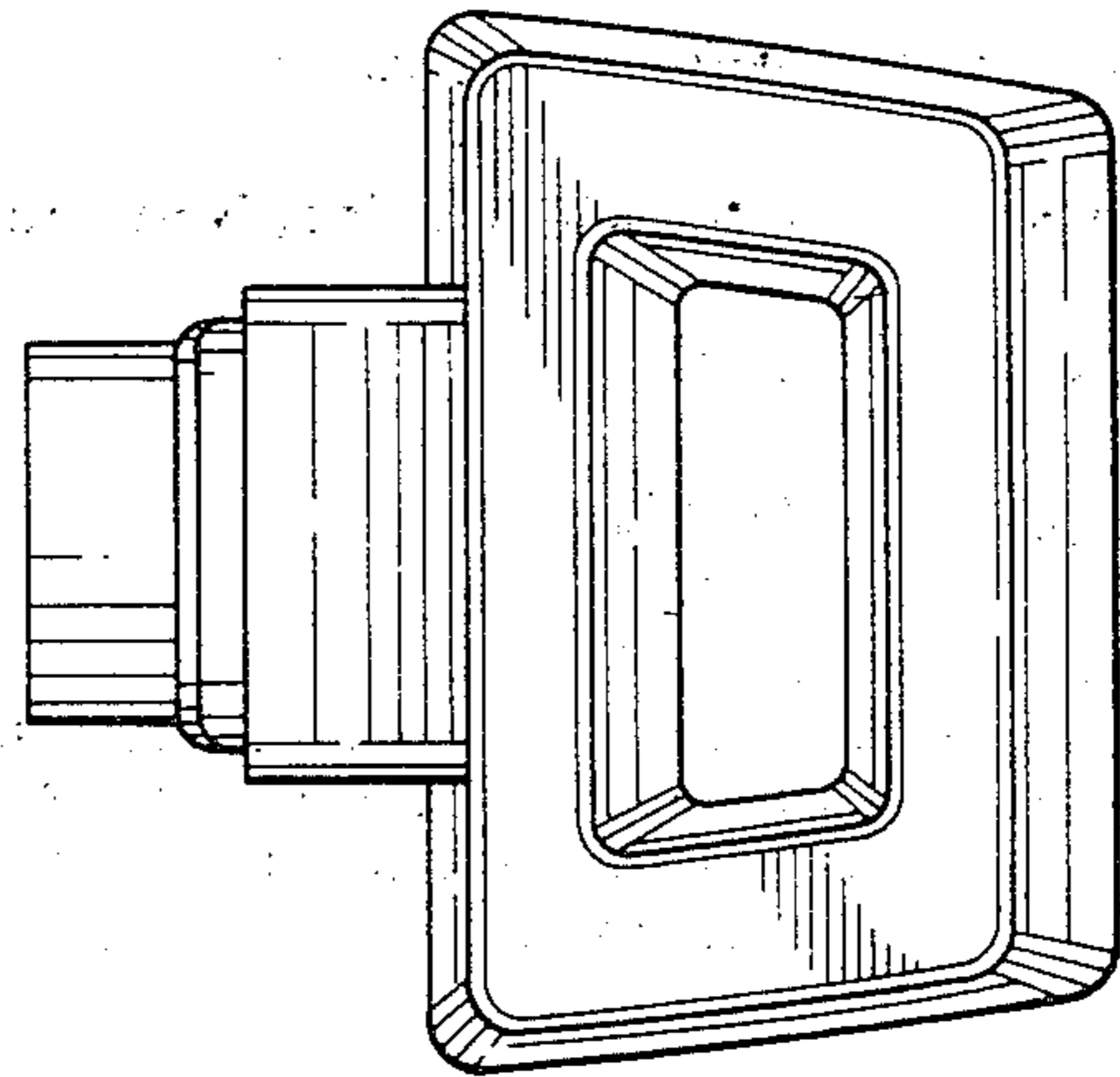


FIG. 2

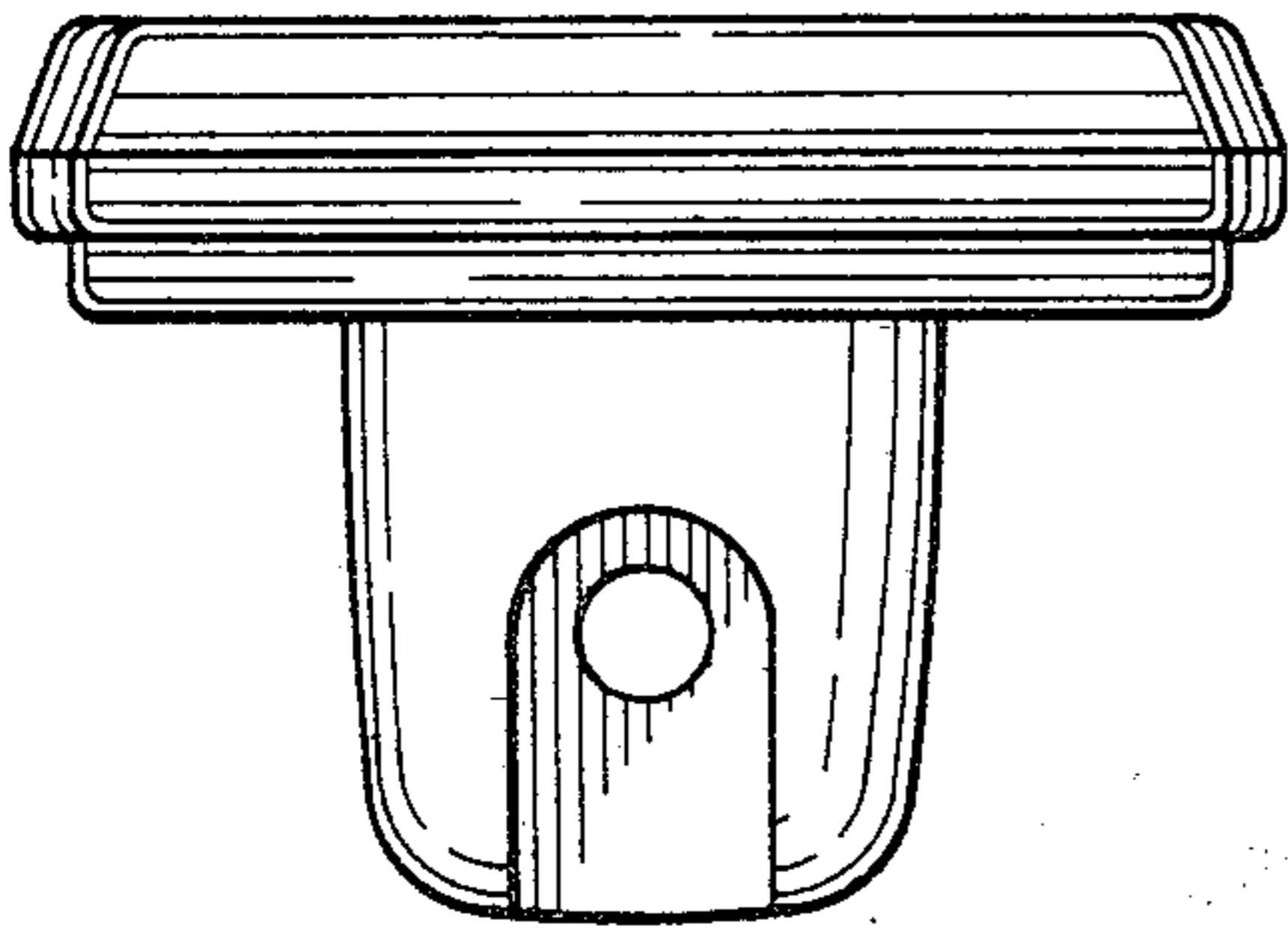


FIG. 3

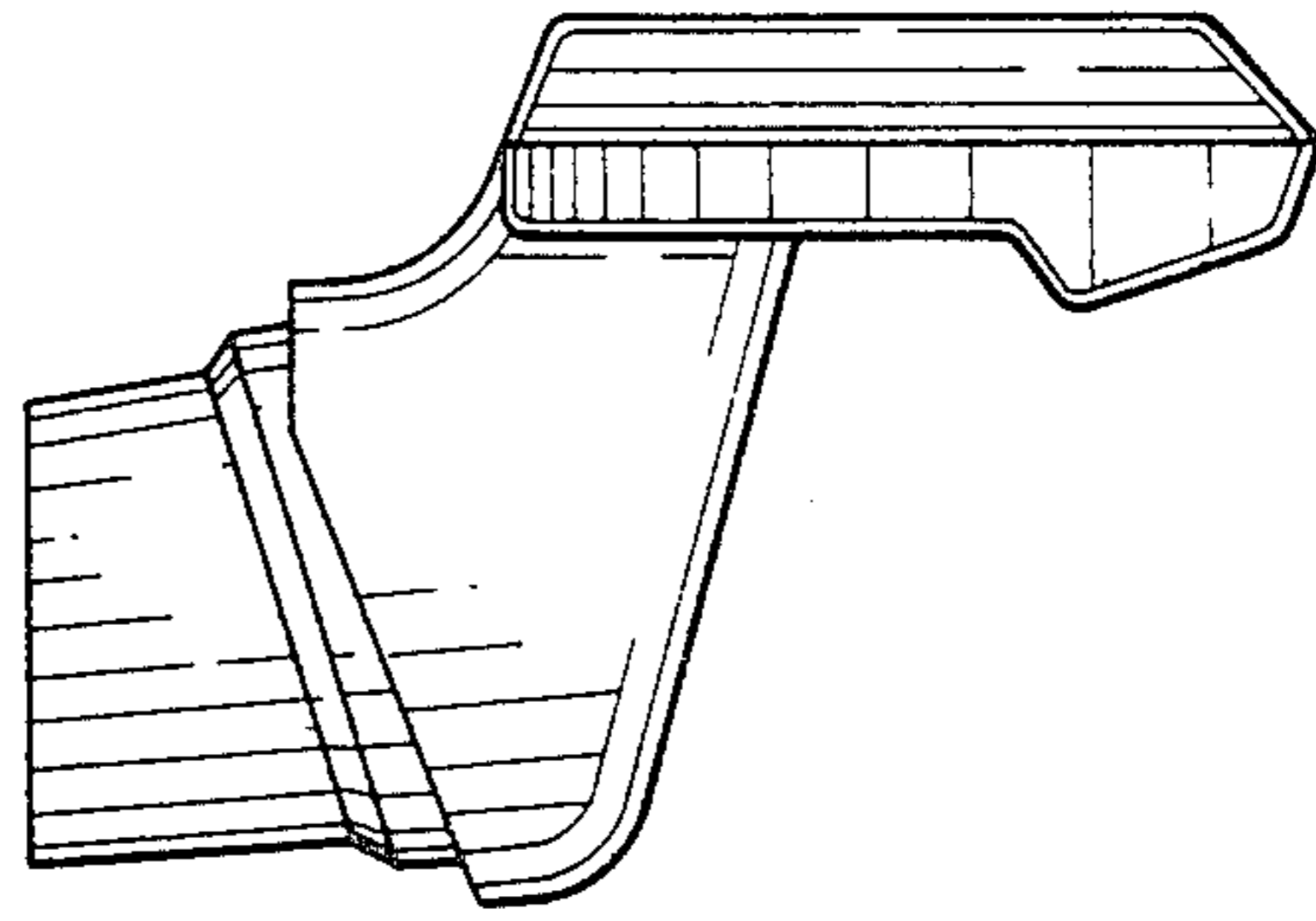


FIG. 4

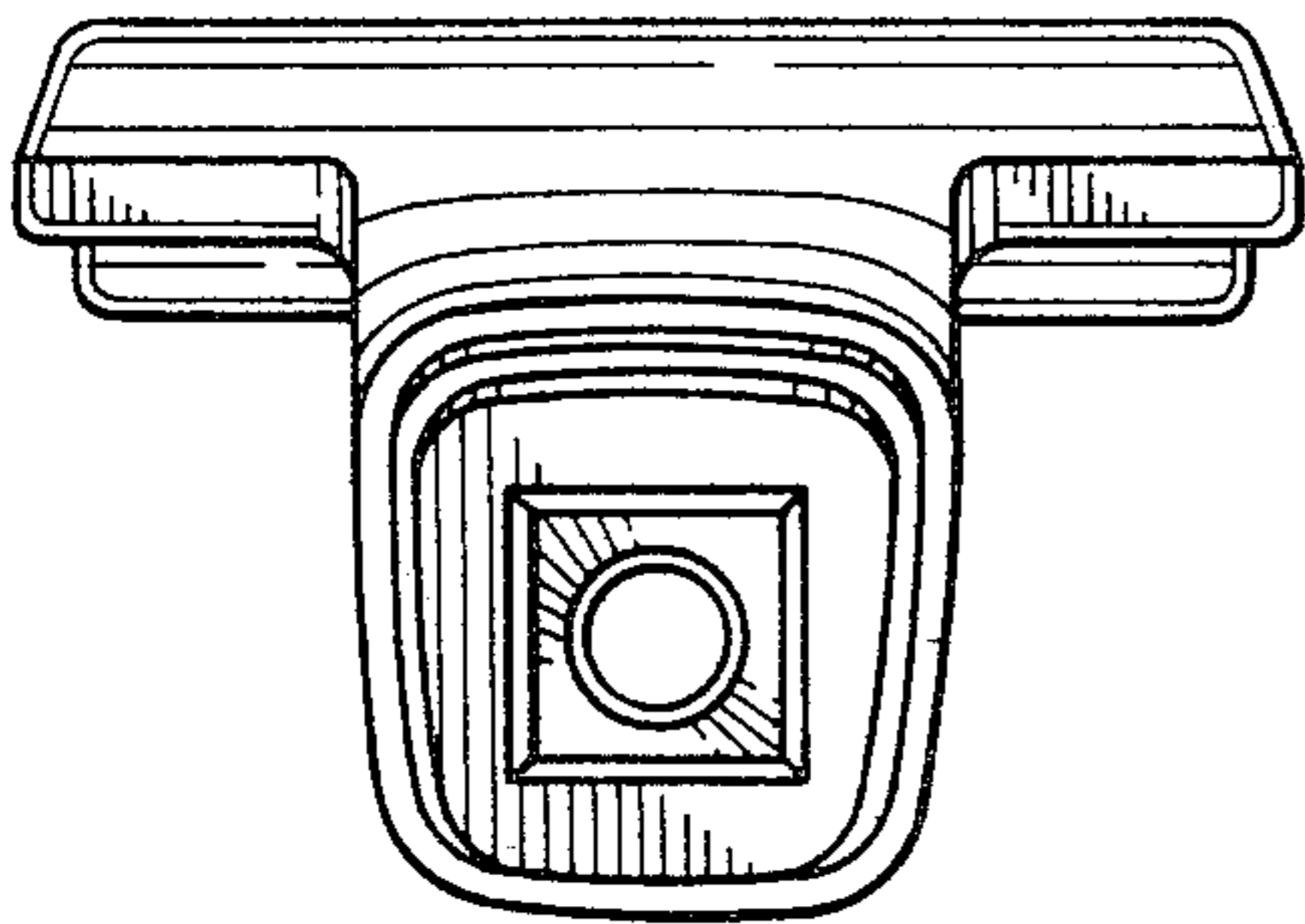


FIG. 5

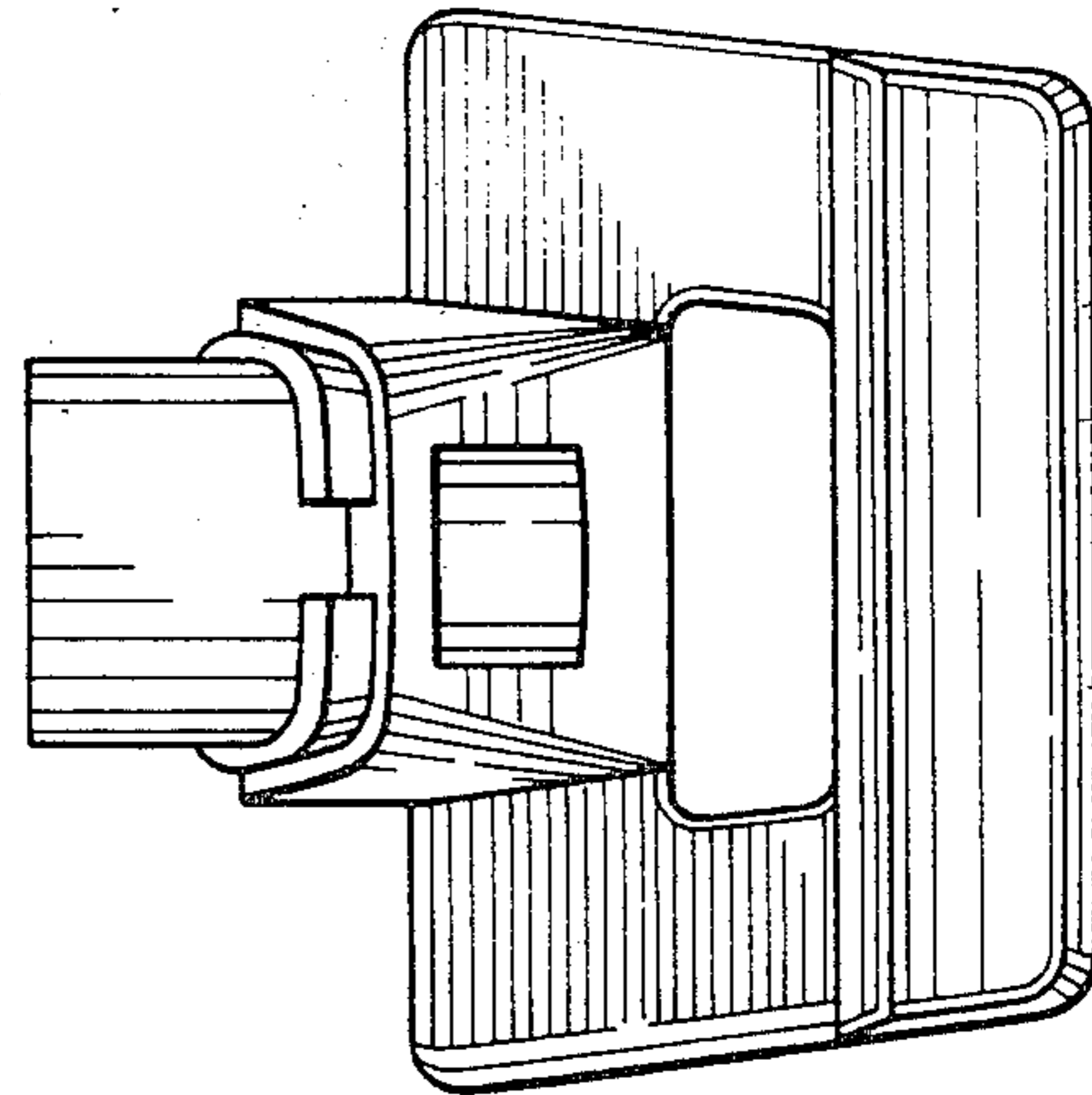


FIG. 6