

[54] TEAKETTLE

[75] Inventor: Michael Lax, New York, N.Y.

[73] Assignee: American Commercial Incorporated, Secaucus, N.J.

[**] Term: 14 Years

[21] Appl. No.: 418,473

[22] Filed: Sep. 15, 1982

[52] U.S. Cl. D7/320

[58] Field of Search D7/312-322

[56] References Cited

U.S. PATENT DOCUMENTS

- D. 88,103 10/1932 Moore D7/320
- D. 151,239 10/1948 Hingelberg D7/321
- D. 261,087 10/1981 Myodo D7/321

OTHER PUBLICATIONS

Goldschmiede Zeitung, 9/77, p. 56, top item, Spouted Tea Kettle with Pivot Handle.
Industrial Design, 9/60, p. 61, Kettle in second row, left panel.

Necessary Objects-Bloomingtondale's Cat., p. 31, bottom left, item L, #3114, Trend Pacific Kettle.

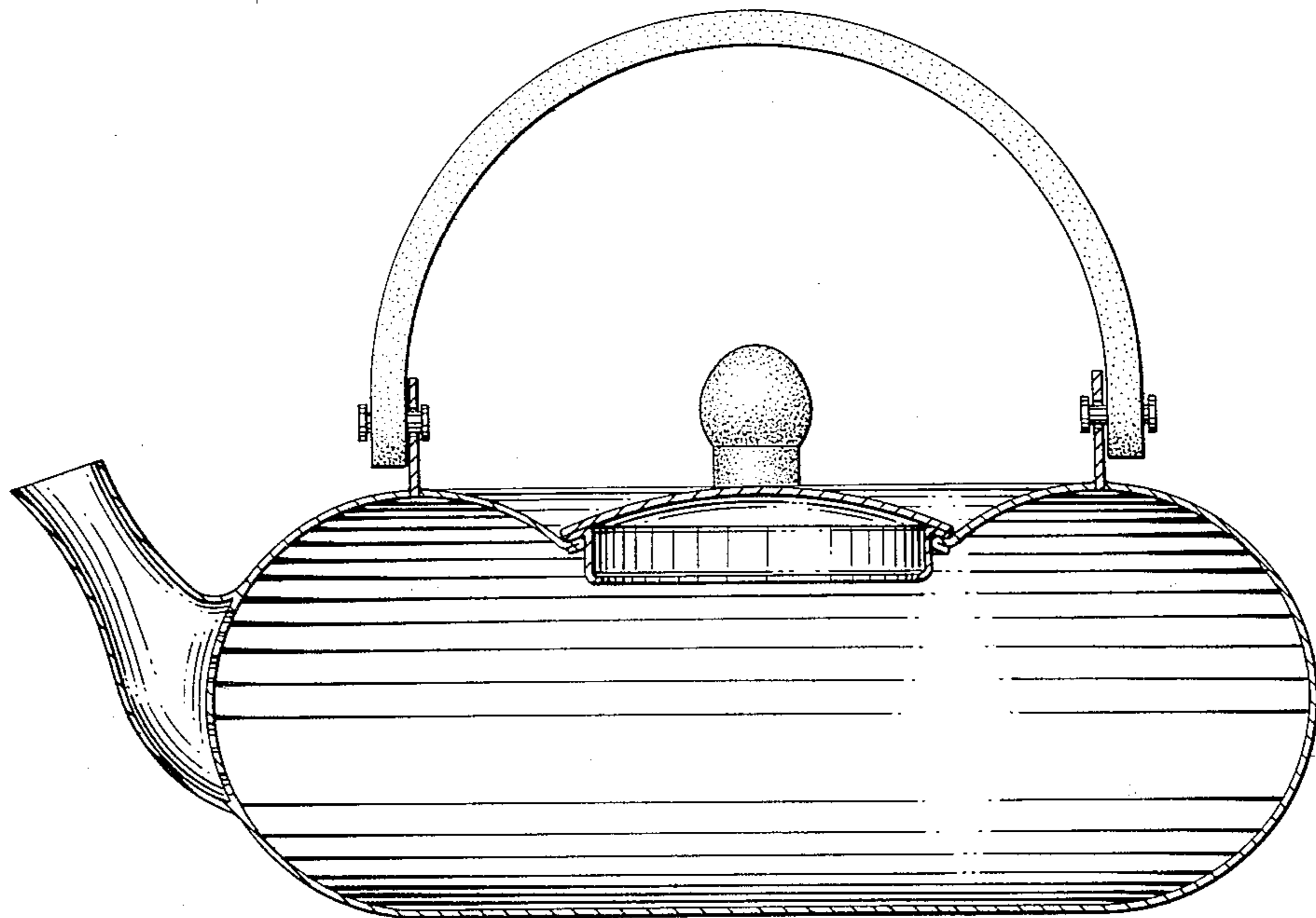
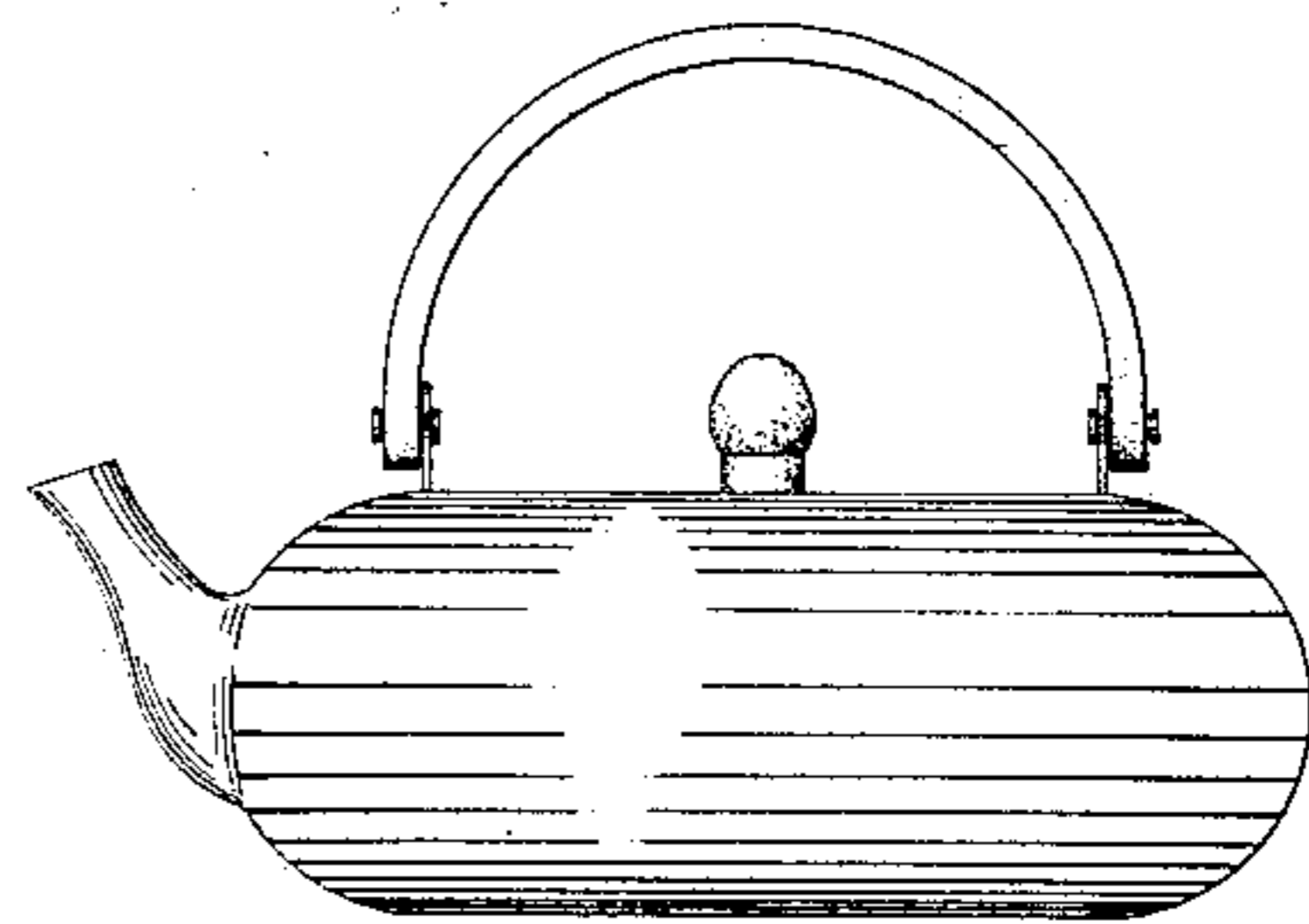
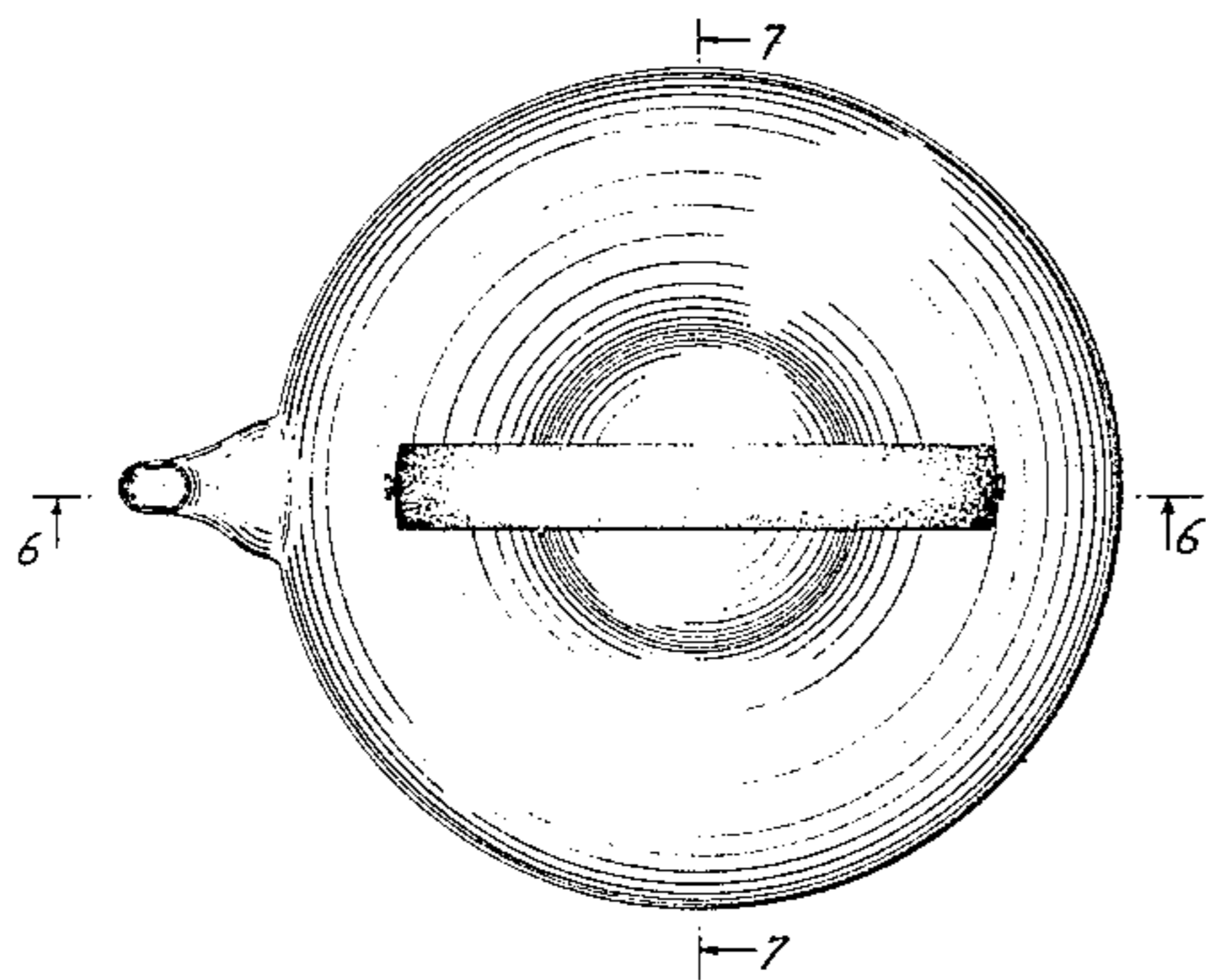
Primary Examiner—Winifred E. Herrmann
Attorney, Agent, or Firm—George J. Brandt, Jr.

[57] CLAIM

The ornamental design for a teakettle, as shown and described.

DESCRIPTION

FIG. 1 is a top plan view of a teakettle showing my new design;
 FIG. 2 is a right side elevational view thereof, the left side elevational view being substantially similar thereto, the teakettle cover knob having a truncated, ovoidal upper part and a cylindrical lower part;
 FIG. 3 is a front elevational view thereof;
 FIG. 4 is a rear elevational view thereof;
 FIG. 5 is a bottom plan view thereof;
 FIGS. 6 and 7 are vertical sectional views as taken along the lines 6—6 and 7—7, respectively, in FIG. 1, the teakettle cover knob being shown in full lines in both views and the teakettle handle in full lines in FIG. 6.



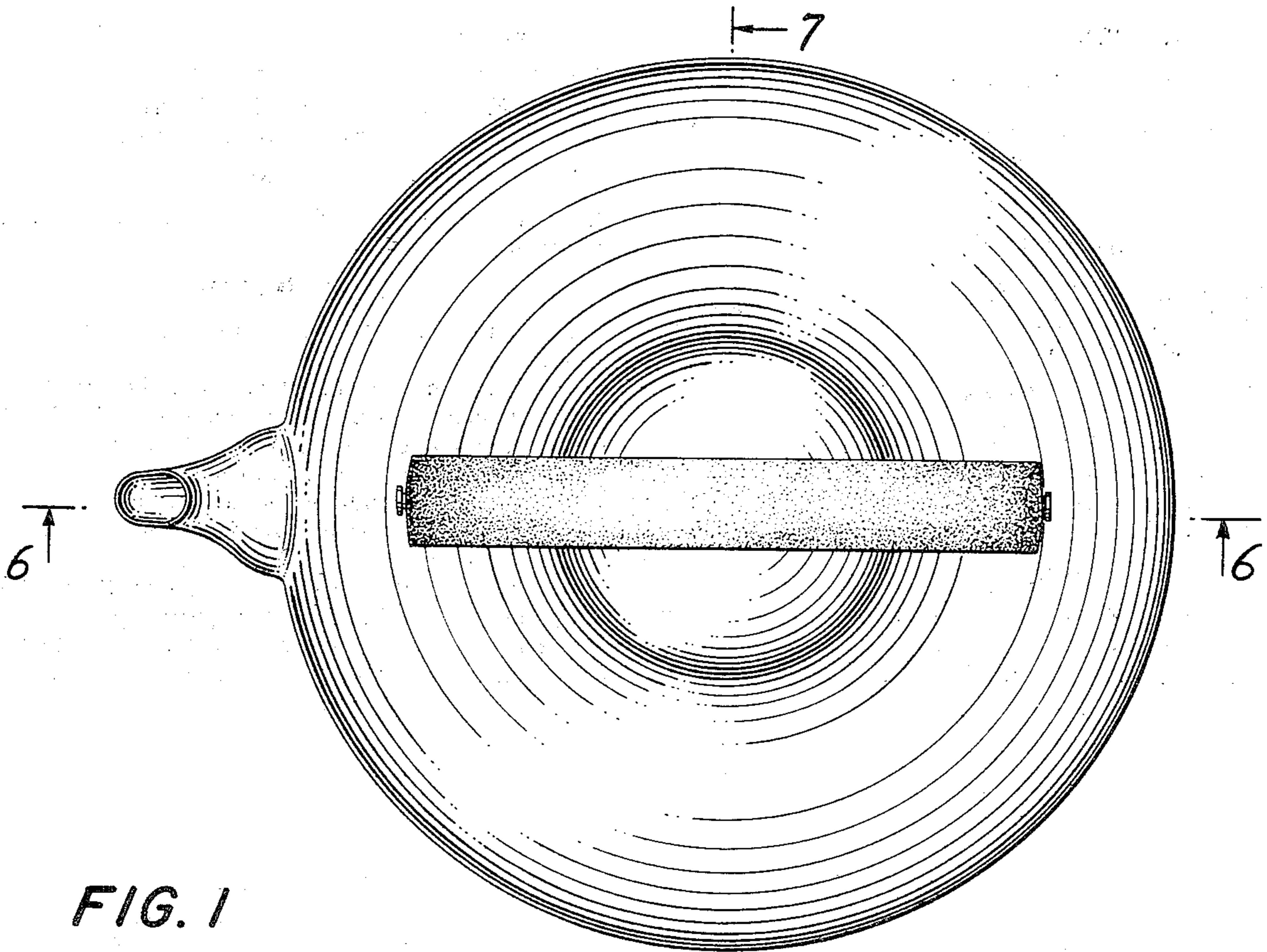


FIG. 1

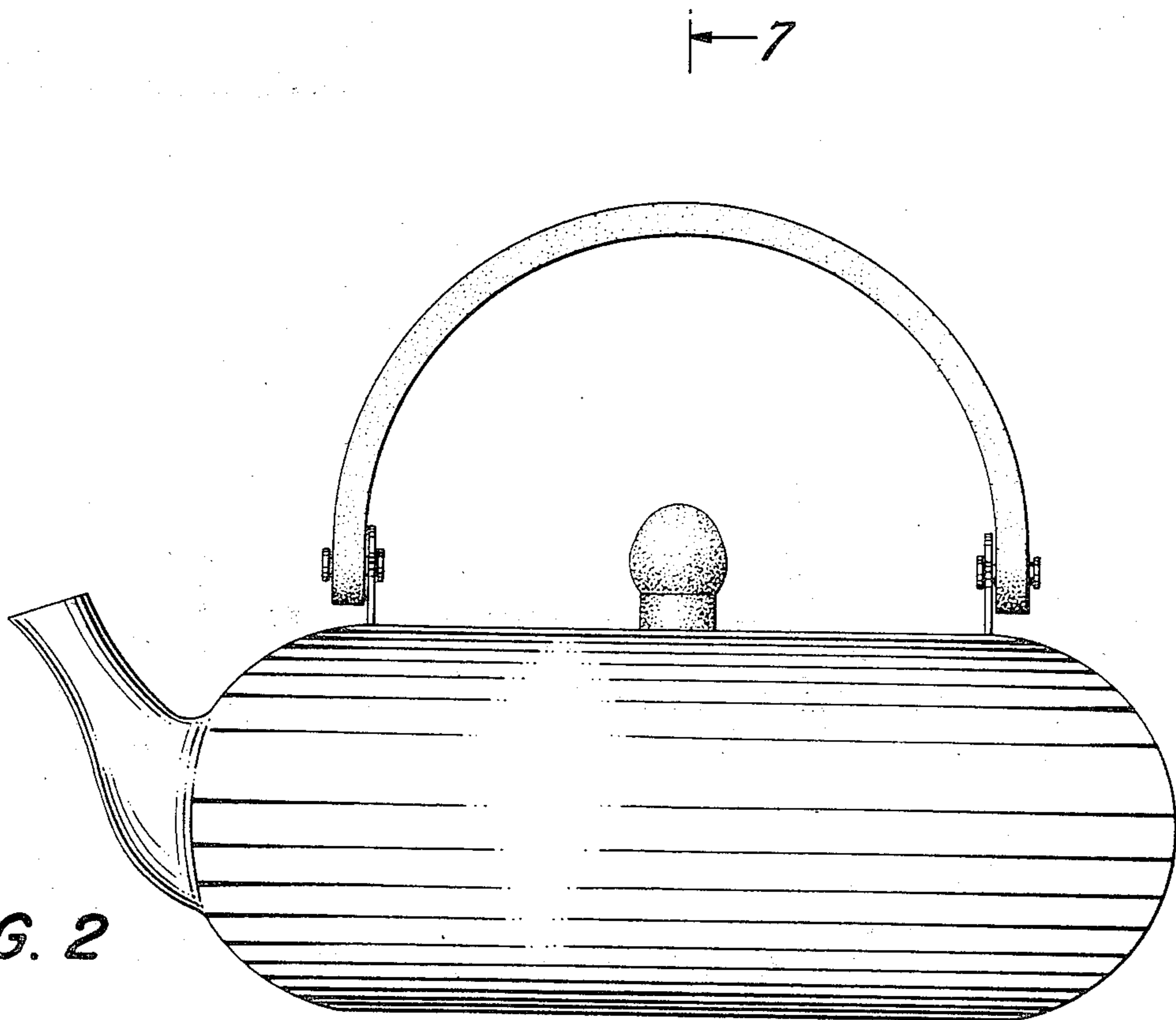


FIG. 2

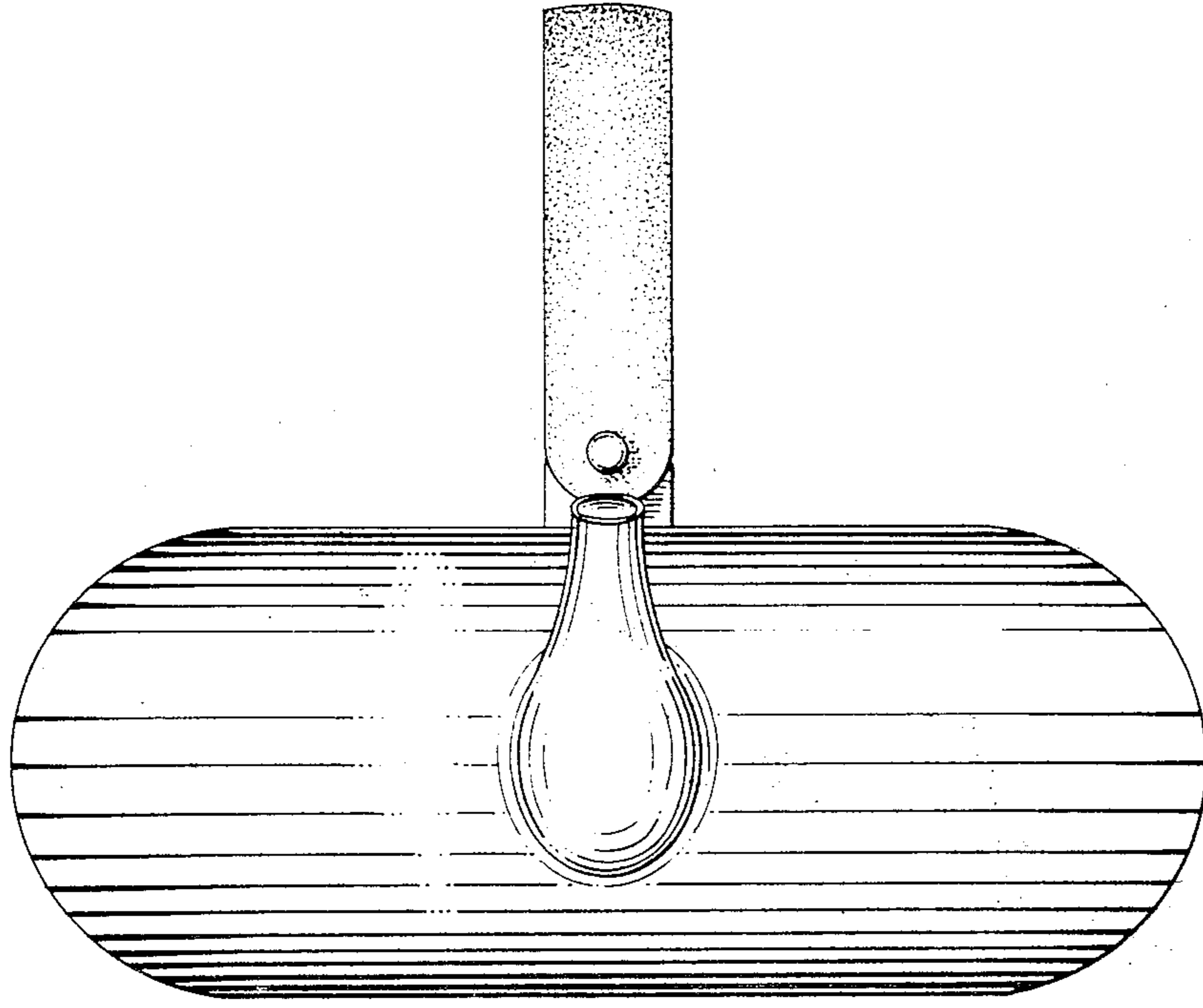


FIG. 3

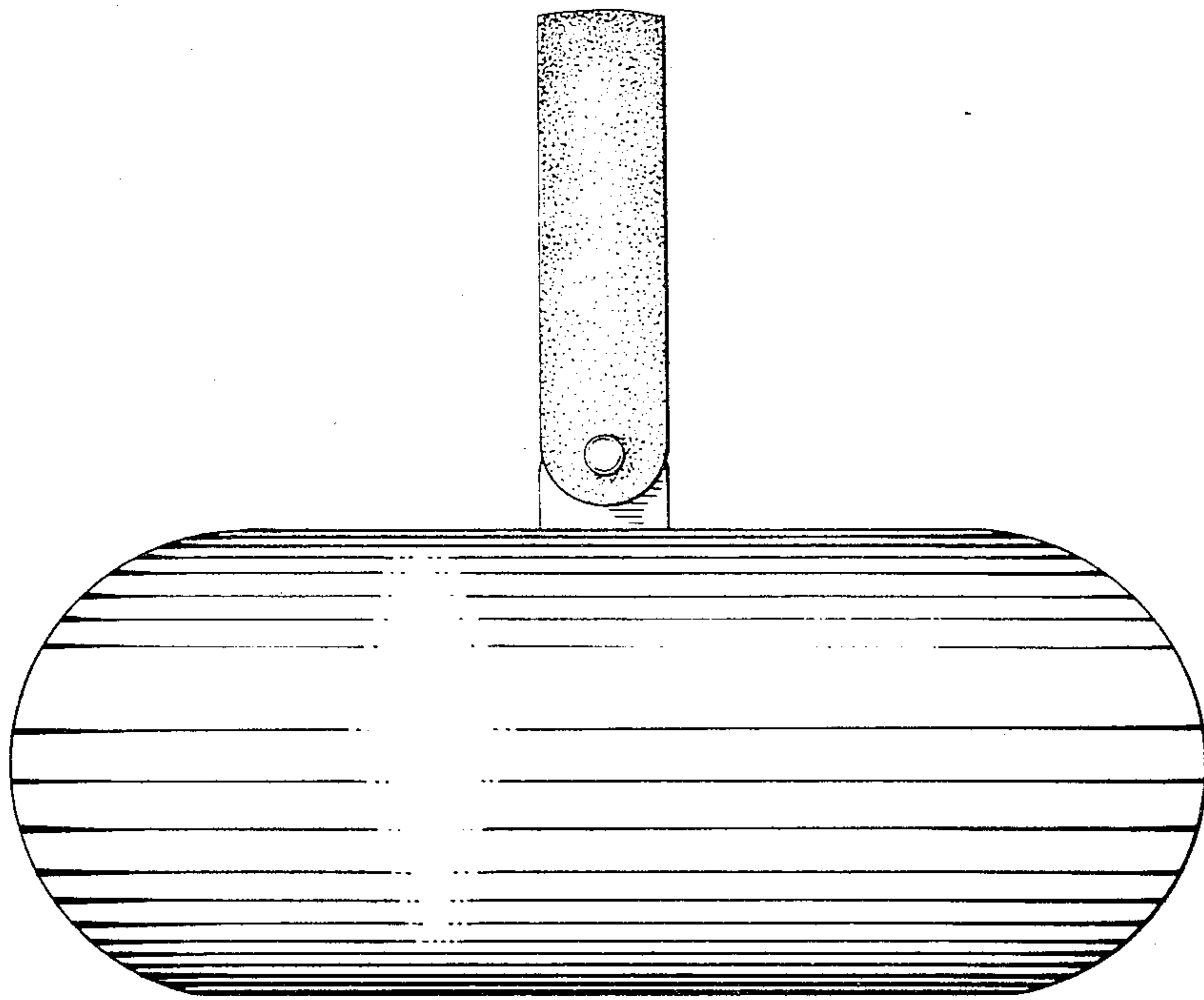


FIG. 4

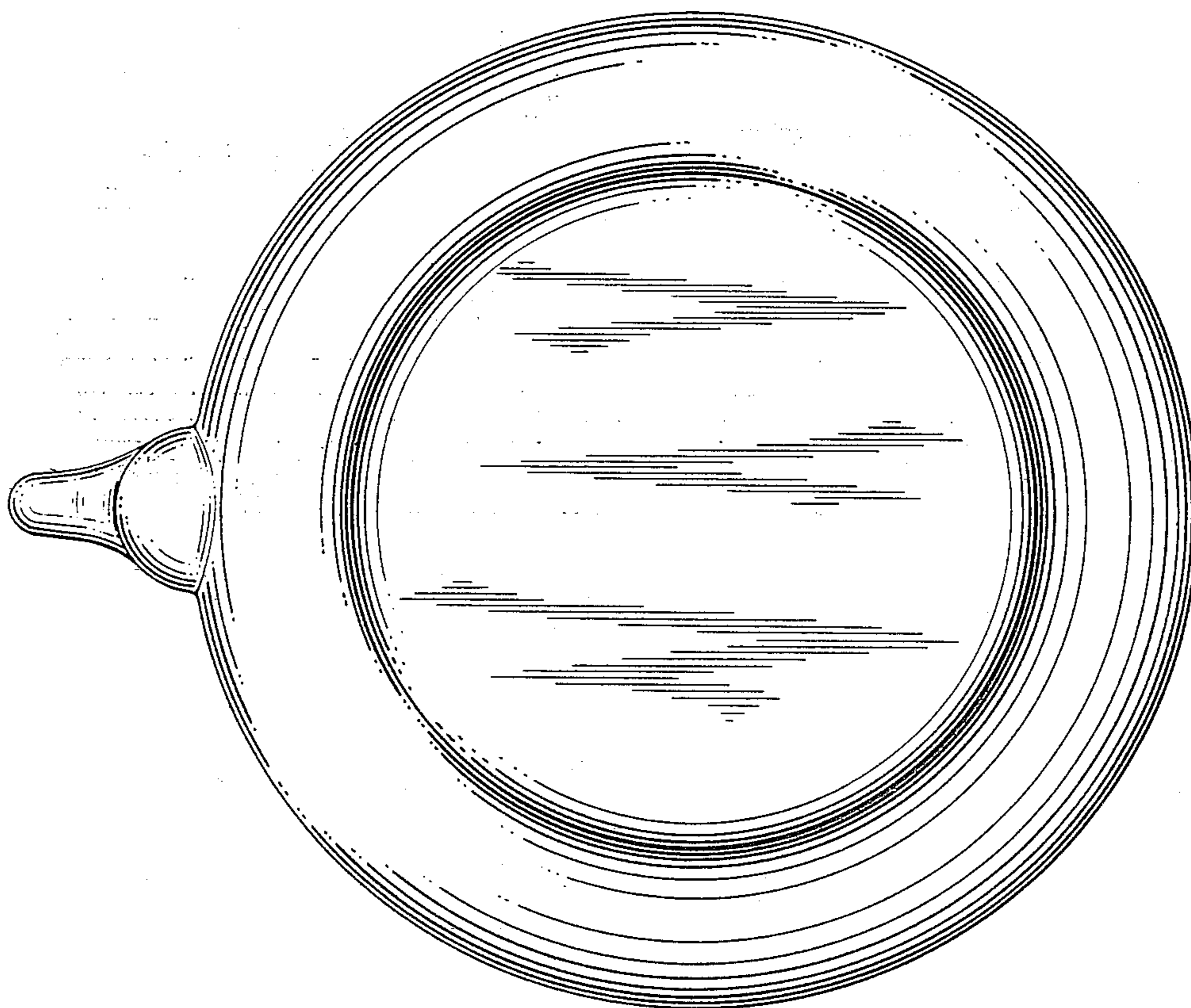


FIG. 5

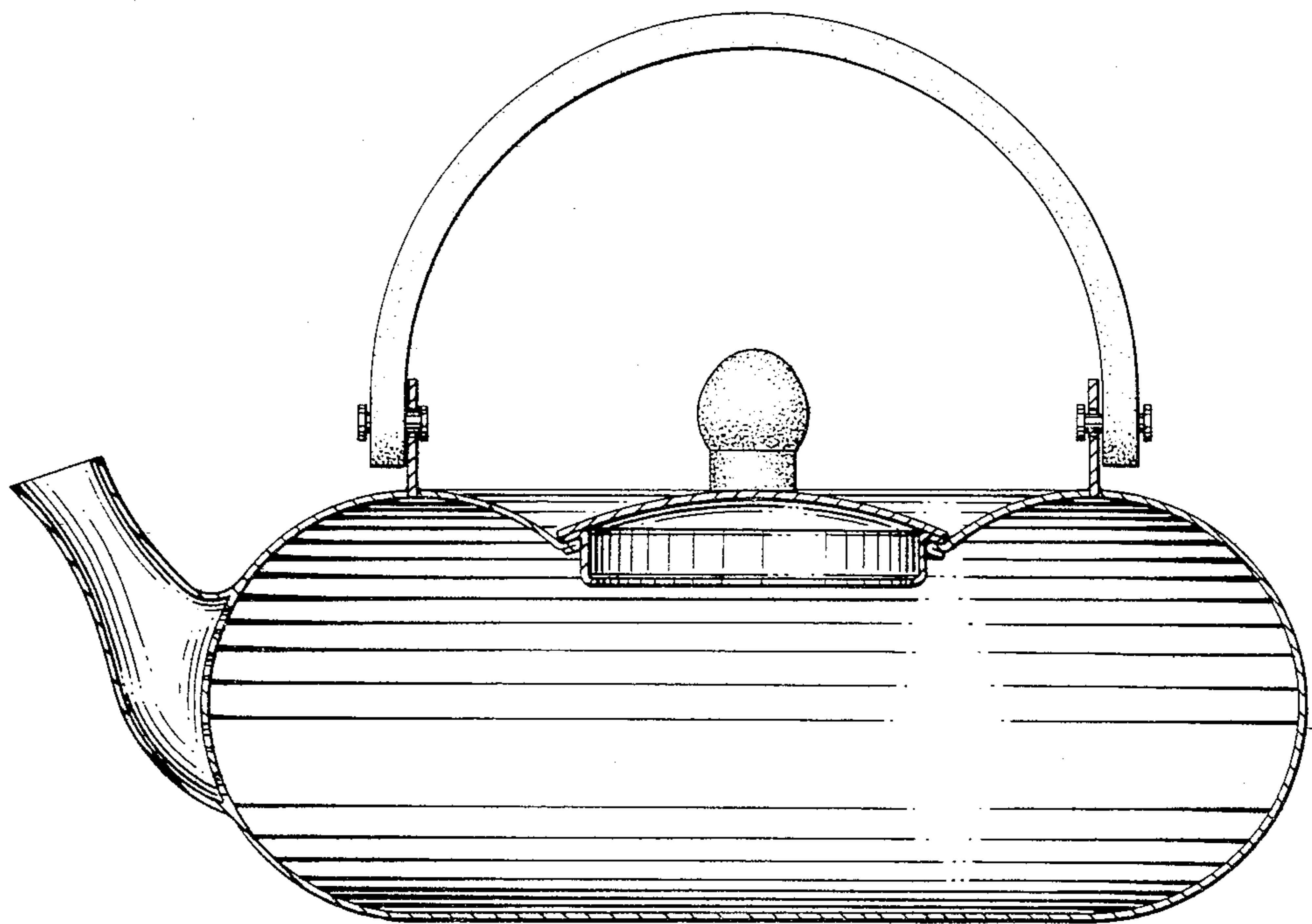


FIG. 6

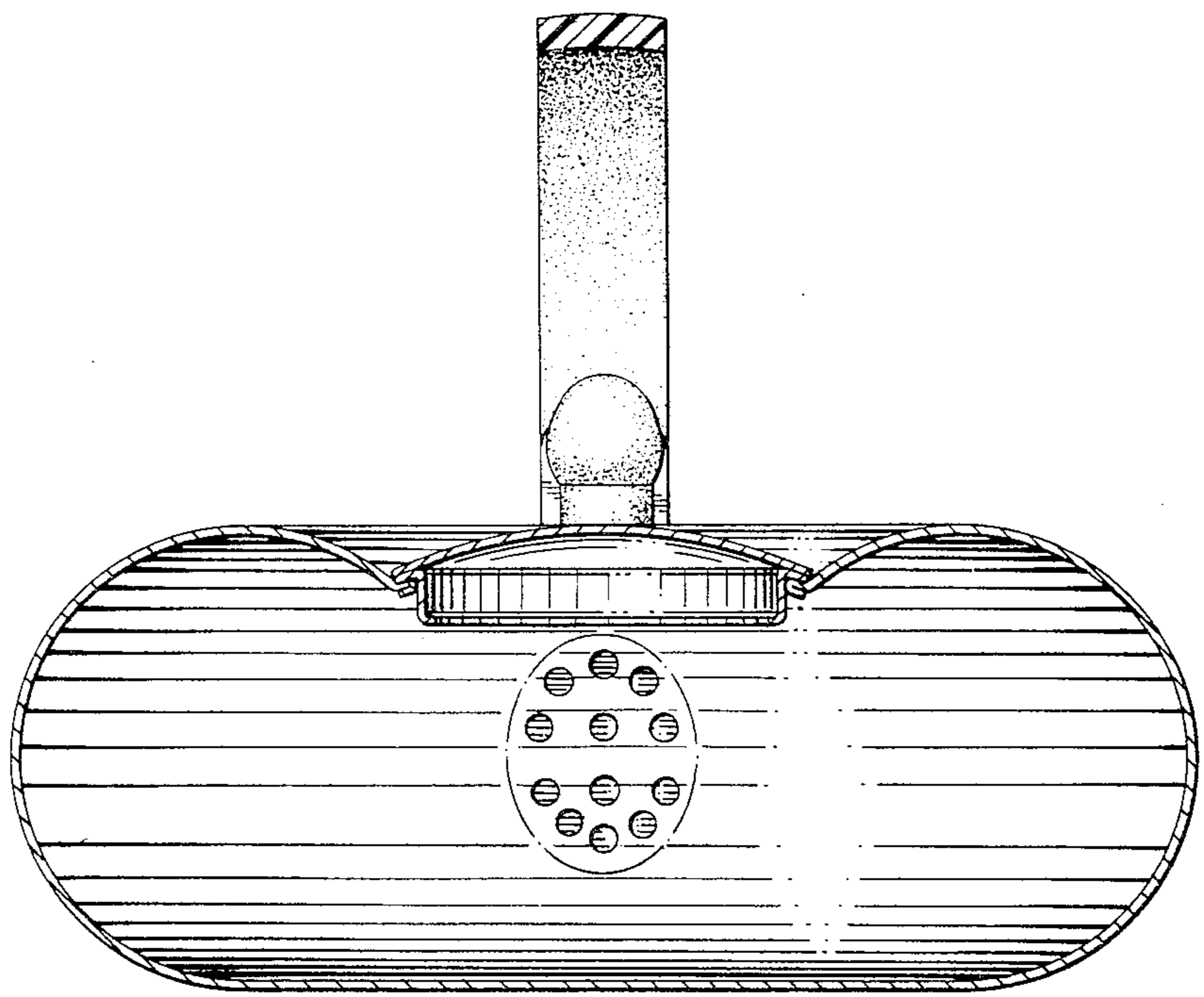


FIG. 7