

[54] COLLAPSIBLE TABLE

[75] Inventor: Claude Bernard, Summit, N.J.

[73] Assignee: Charvoz-Carsen Corporation,
Fairfield, N.J.

[**] Term: 14 Years

[21] Appl. No.: 437,458

[22] Filed: Oct. 28, 1982

[52] U.S. Cl. D6/420; D6/431

[58] Field of Search D6/27, 145, 138, 175,
D6/177-179; 108/115, 117, 119, 121

[56] References Cited

U.S. PATENT DOCUMENTS

- D. 120,793 5/1940 Thomas D6/178
- D. 170,672 10/1953 Zalkind D6/156
- D. 188,057 5/1960 Rasmussen D6/156
- D. 256,533 8/1980 Alessio D6/178

D. 262,849 2/1982 Schoenig D6/178

Primary Examiner—Bruce W. Dunkins
Attorney, Agent, or Firm—Kirschstein, Kirschstein,
Ottinger & Israel

[57] CLAIM

The ornamental design for a collapsible table, substantially as shown and described.

DESCRIPTION

FIG. 1 is a perspective view of a collapsible table, showing my new design, in fully assembled condition and ready for use;

FIG. 2 is a side elevational view thereof;

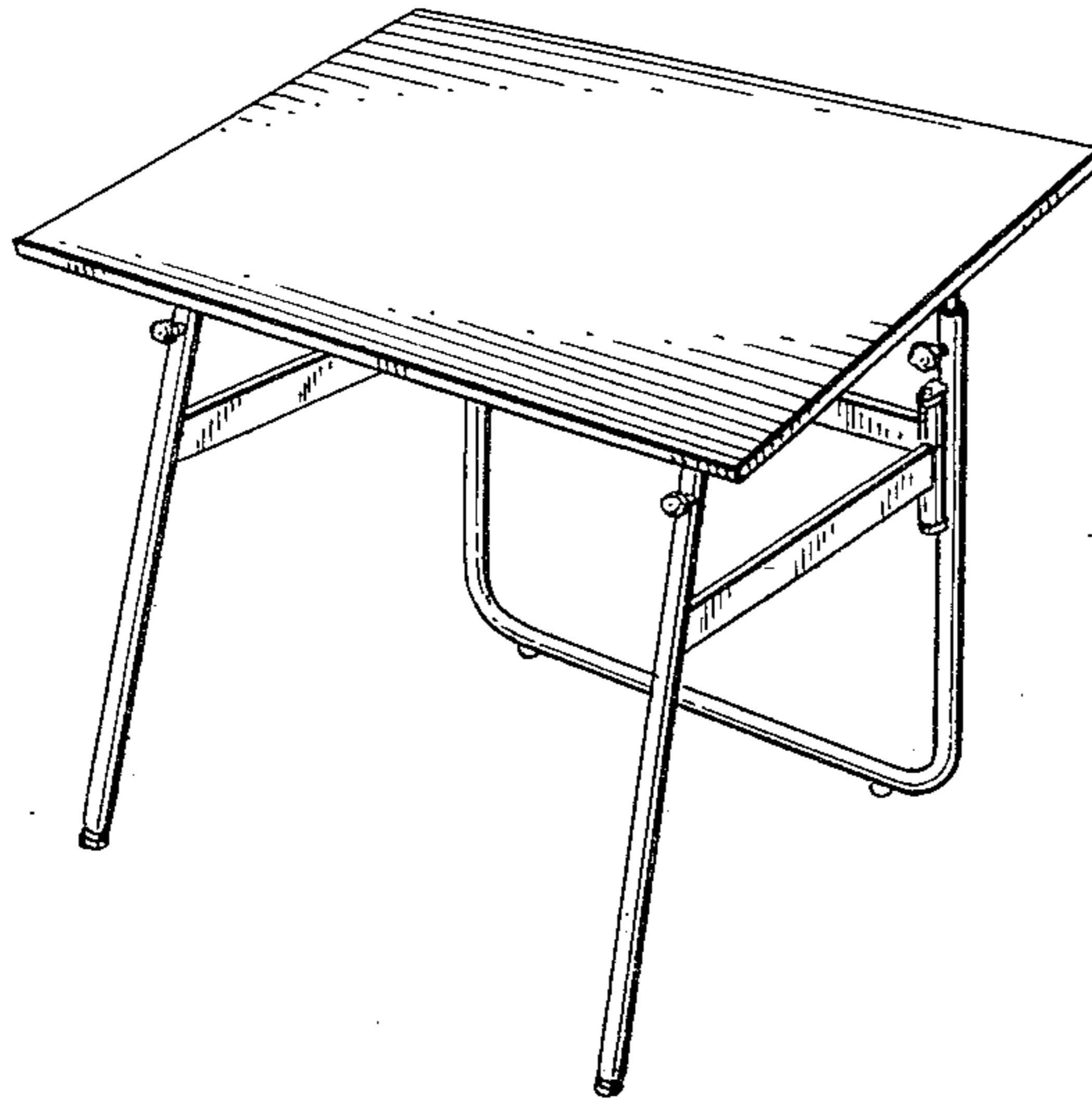
FIG. 3 is a front elevational view thereof;

FIG. 4 is a rear elevational view thereof;

FIG. 5 is a bottom plan view thereof; and

FIG. 6 is a perspective view of a collapsible table, showing my new design, in fully collapsed condition.

The side of the collapsible table not shown is a mirror image of the side shown in FIG. 2.



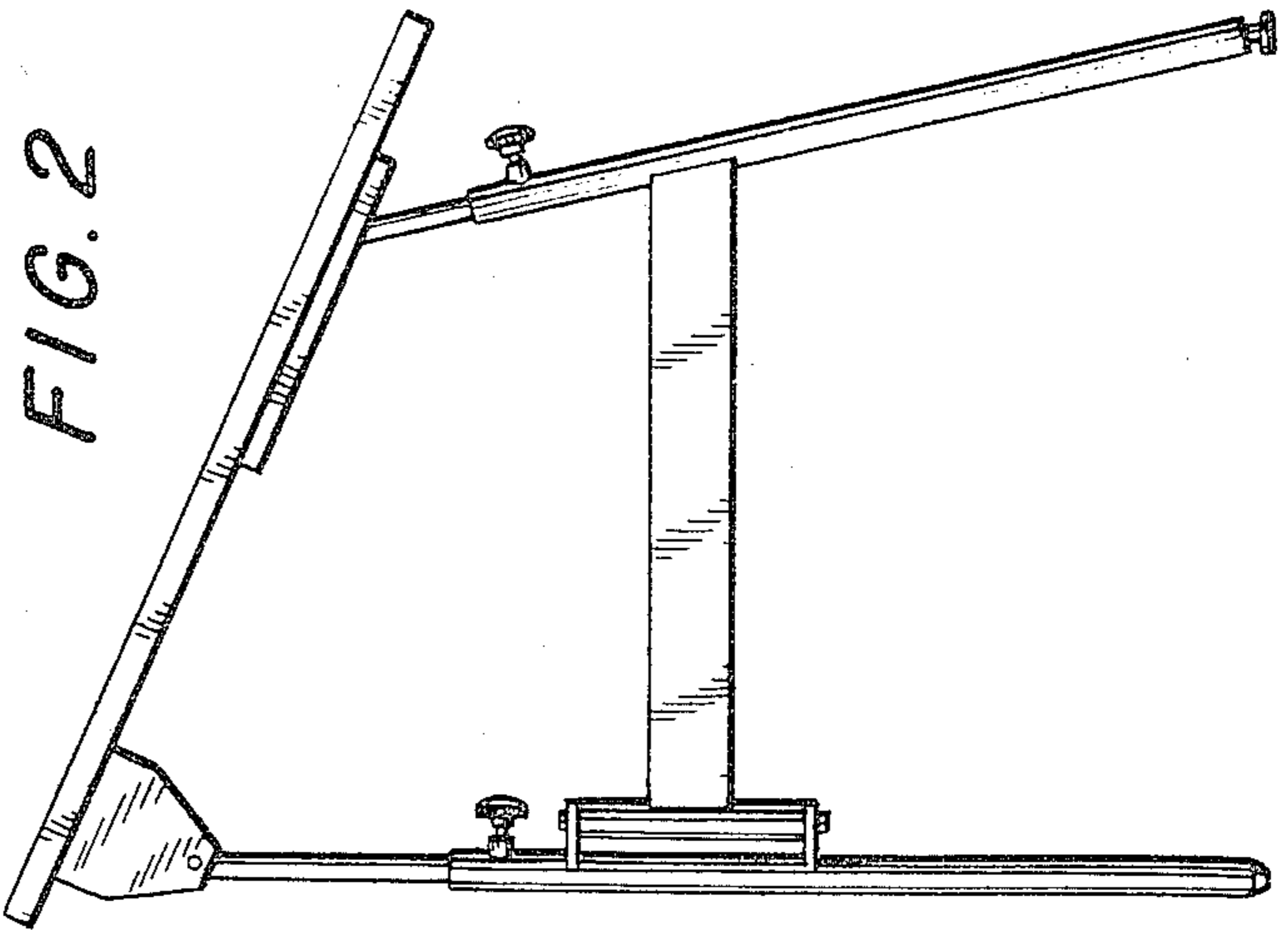
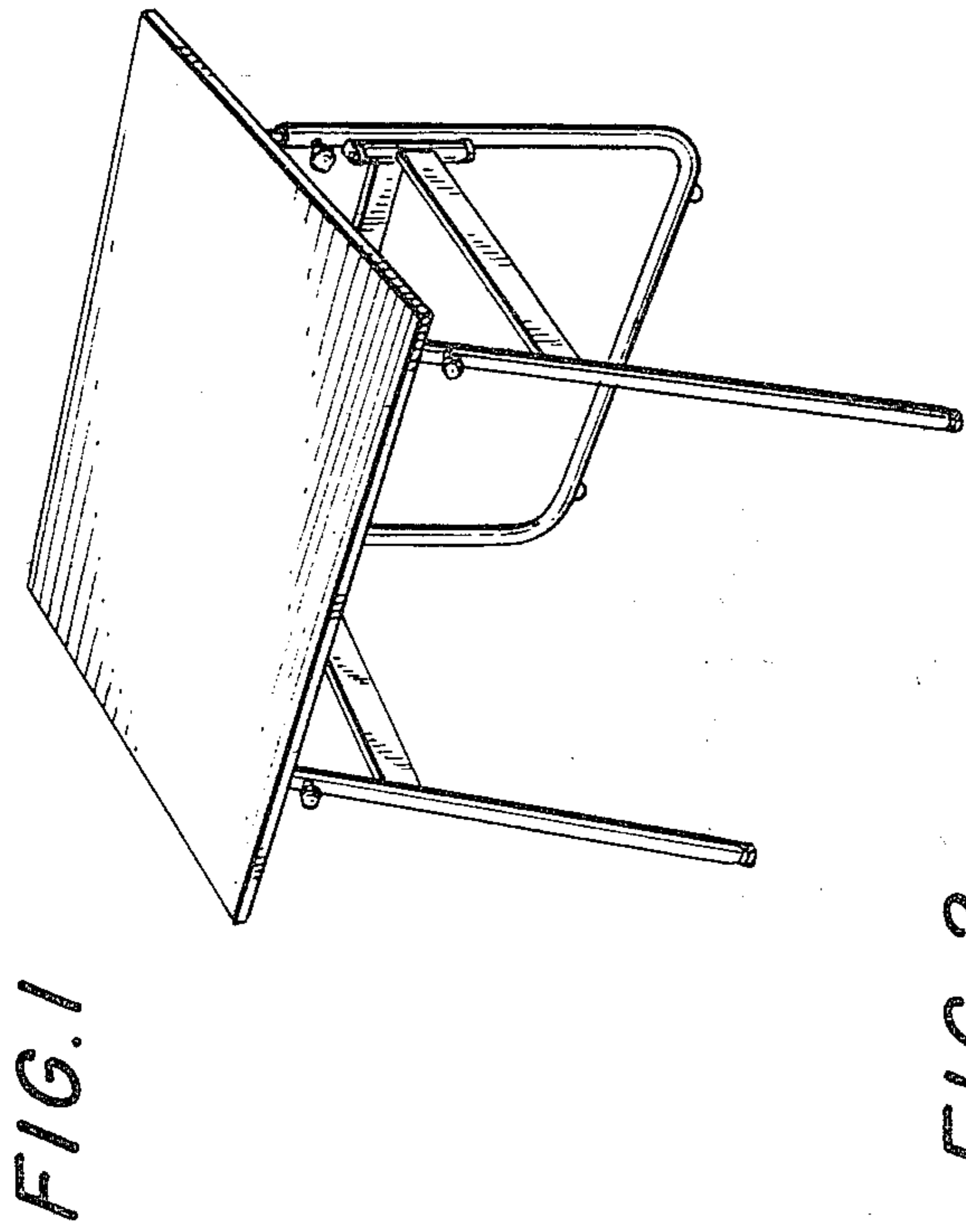
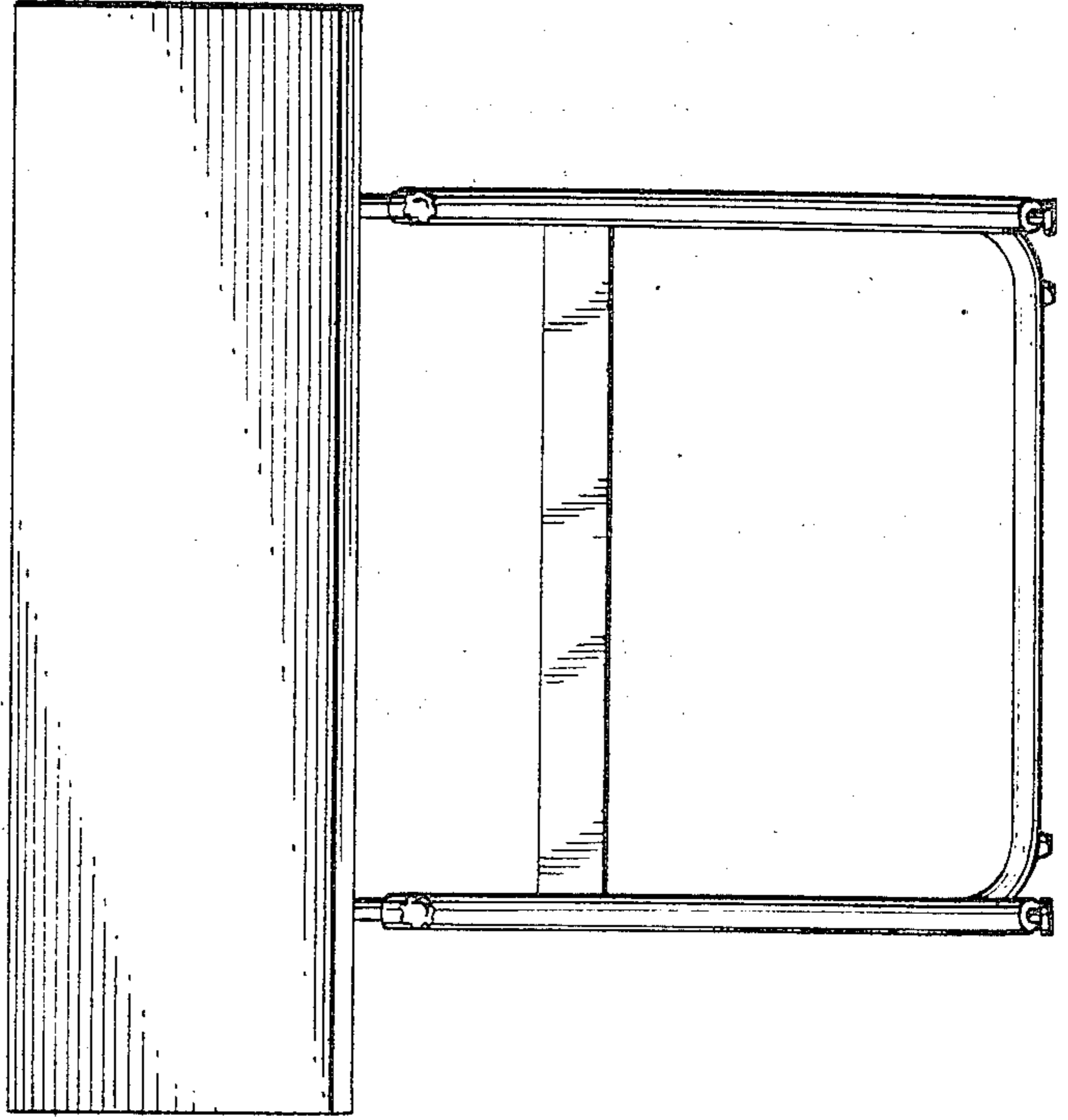


FIG. 3



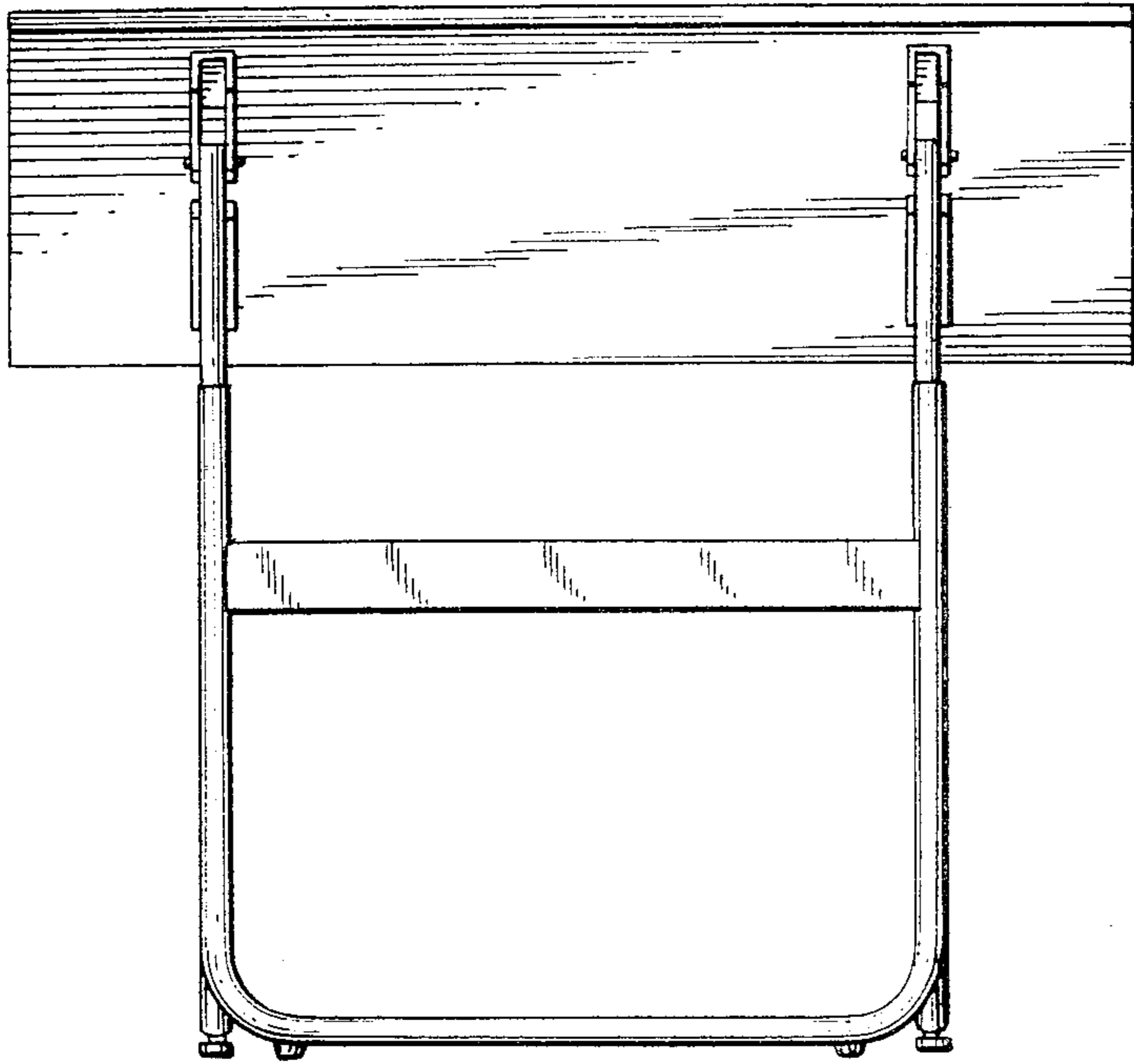


FIG. 4

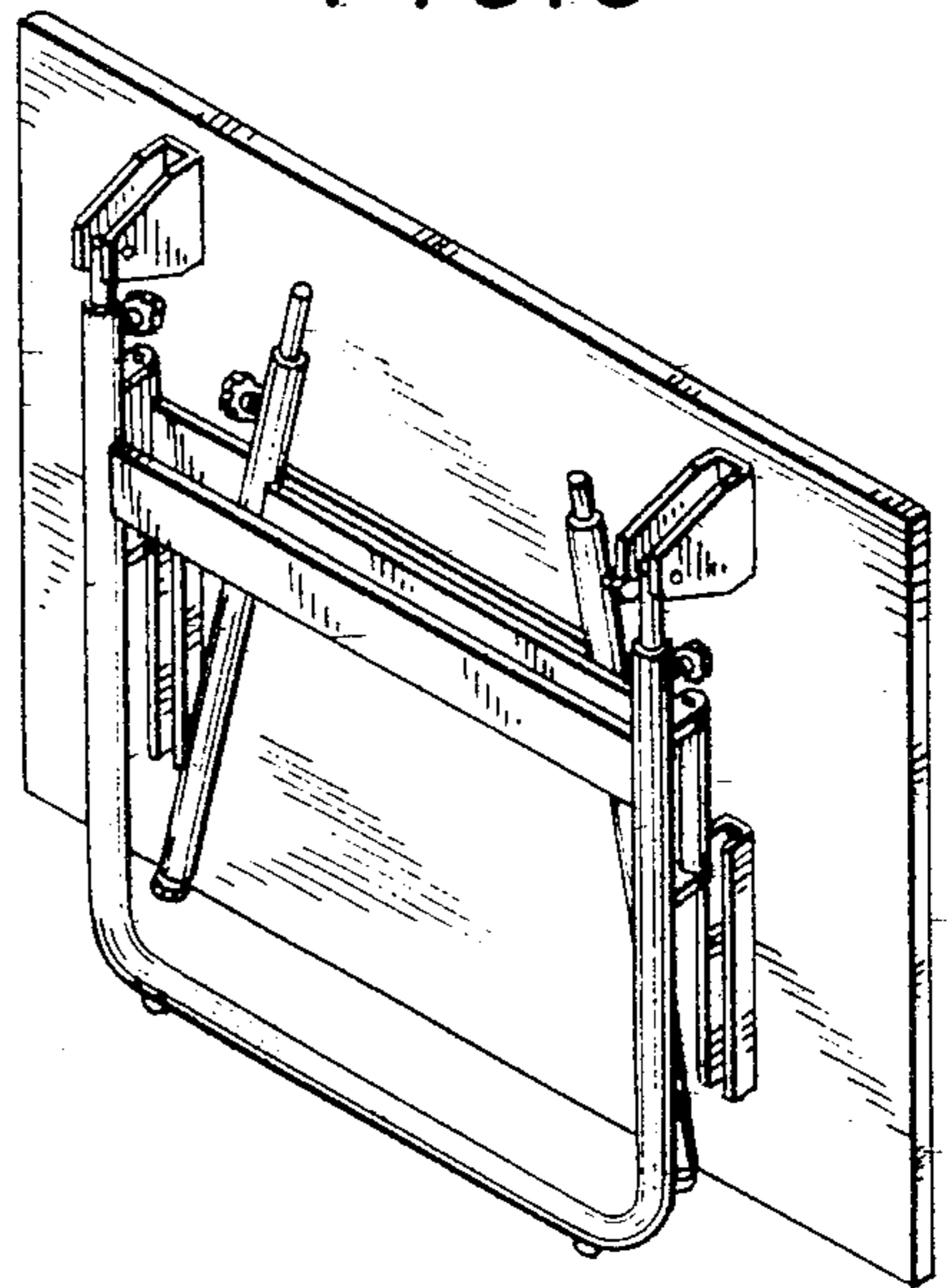


FIG. 6

FIG. 5

