

[54] EXTENDABLE TIE RACK

[75] Inventor: Charles E. Benedict, Tallahassee, Fla.

[73] Assignee: Telescoping Tie Racks, Inc., Winter Haven, Fla.

[\*\*] Term: 14 Years

[21] Appl. No.: 453,052

[22] Filed: Dec. 27, 1982

[52] U.S. Cl. .... D6/324

[58] Field of Search ..... D6/114, 115, 116, 117, D6/118, 124; 211/1.3, 87, 94, 105.3, 13

[56] References Cited

U.S. PATENT DOCUMENTS

D. 273,645	5/1984	McEvers	.....	D6/117
1,415,316	5/1922	Corbin	.	
2,569,761	10/1951	Hibbs	.....	211/1.3
2,582,127	1/1952	Hoot	.....	211/87
2,917,185	12/1959	Kovacs	.	
2,985,311	5/1961	Abel	.	
3,116,837	1/1964	Kelly	.	

3,124,253	3/1964	Petrich	.
3,335,872	8/1967	Dodich	.
3,389,807	6/1968	Manning et-al.	.
3,754,664	8/1973	Kotkins	.
3,897,122	7/1975	McEvers	.
3,954,182	5/1976	McEvers	.

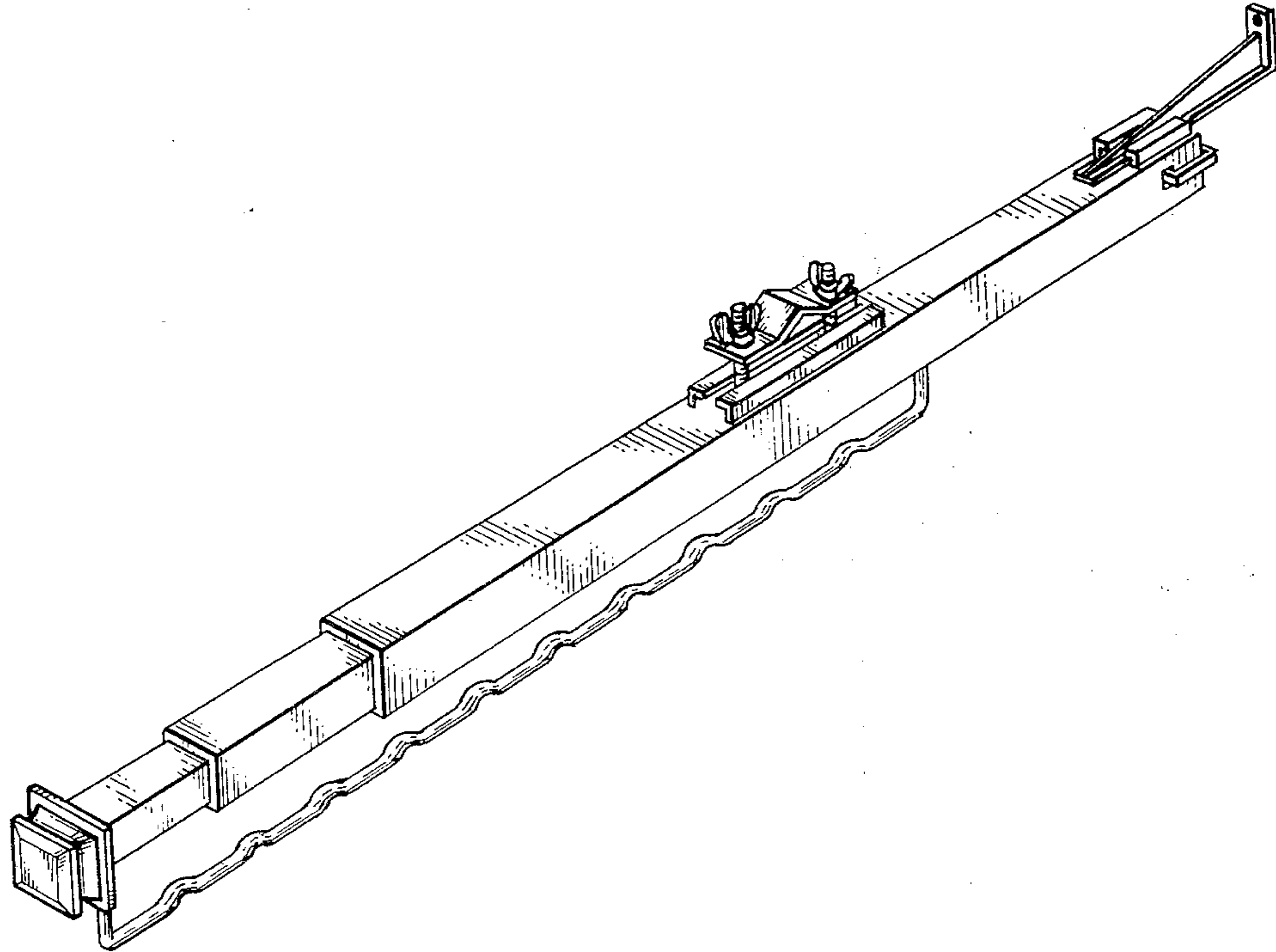
Primary Examiner—B. J. Bullock  
Attorney, Agent, or Firm—Dowell & Dowell

[57] CLAIM

The ornamental design for an extendable tie rack, as shown.

DESCRIPTION

FIG. 1 is a perspective view of an extendable tie rack showing my new design;  
FIG. 2 is an enlarged front elevational view thereof;  
FIG. 3 is an enlarged rear elevational view thereof;  
FIG. 4 is a bottom plan view thereof;  
FIG. 5 is a side elevational view taken from the left of FIG. 1;  
FIG. 6 is an enlarged fragmentary perspective view thereof.



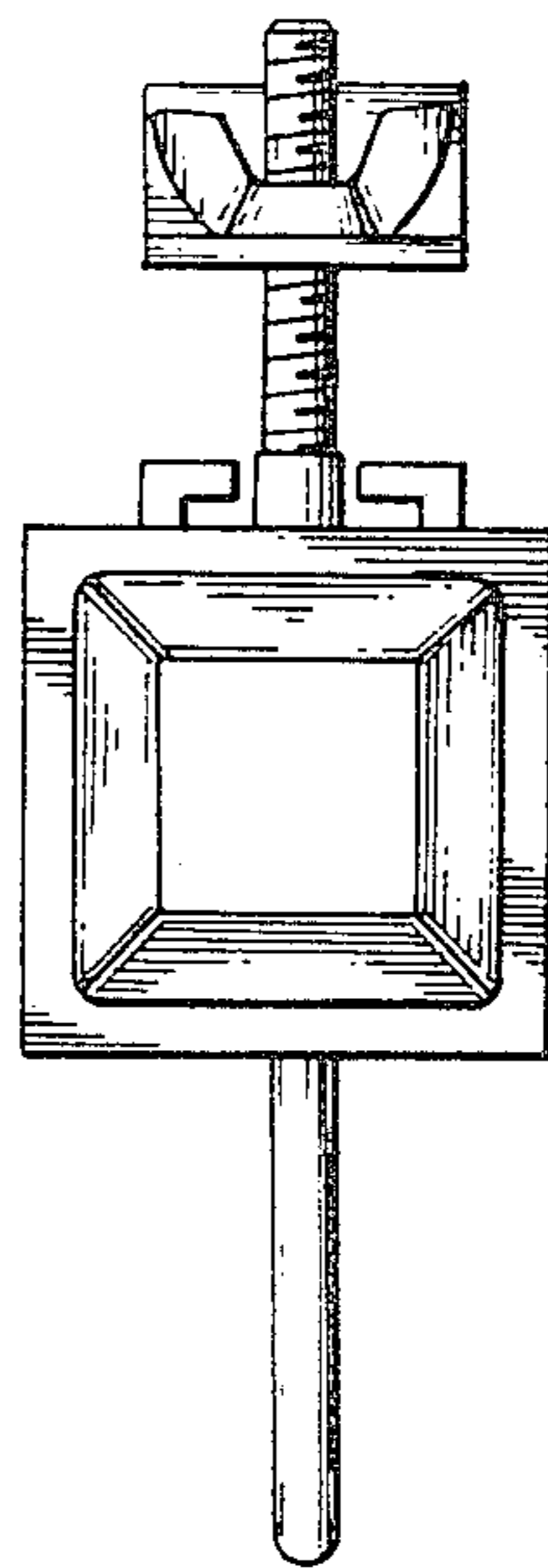
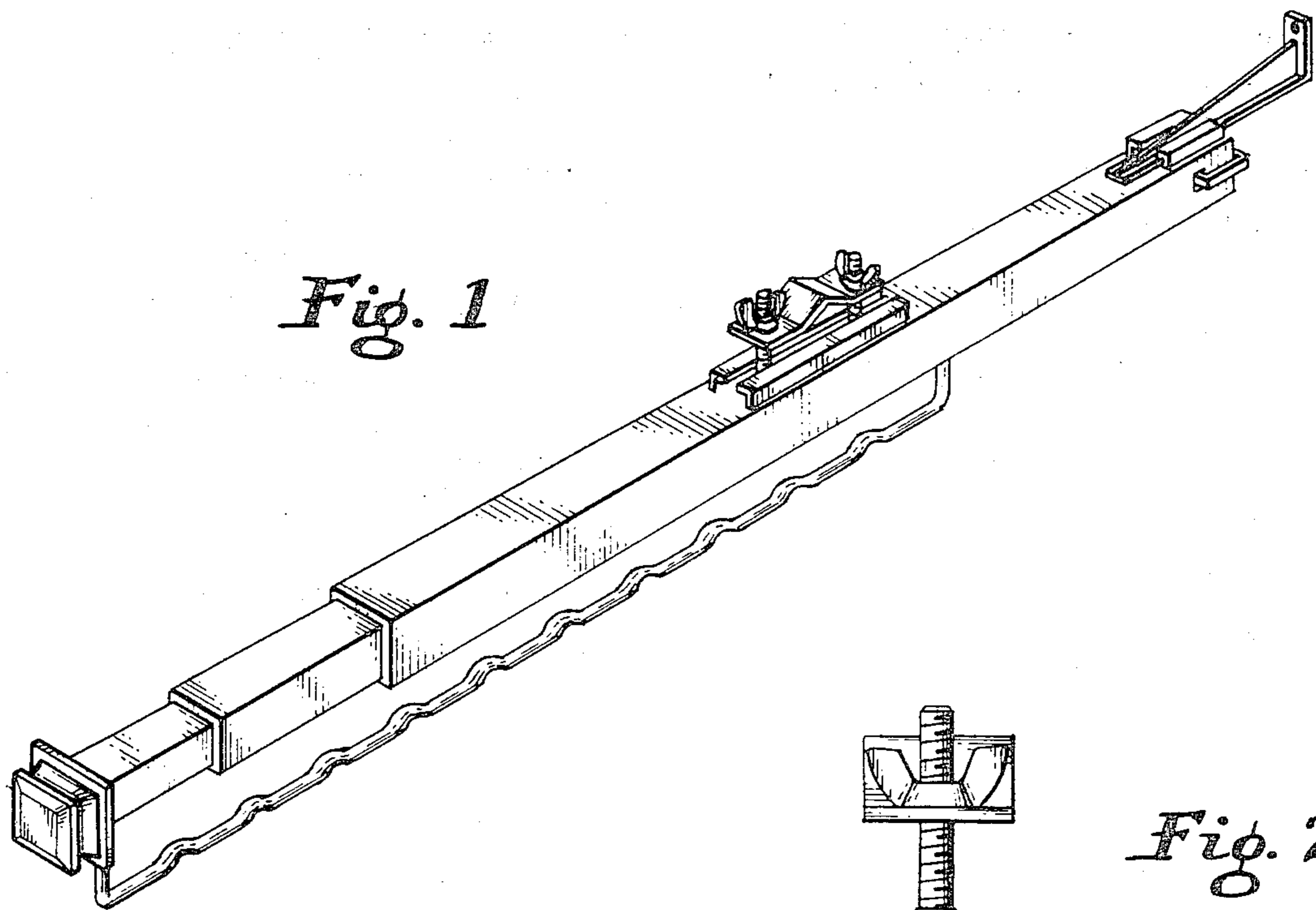
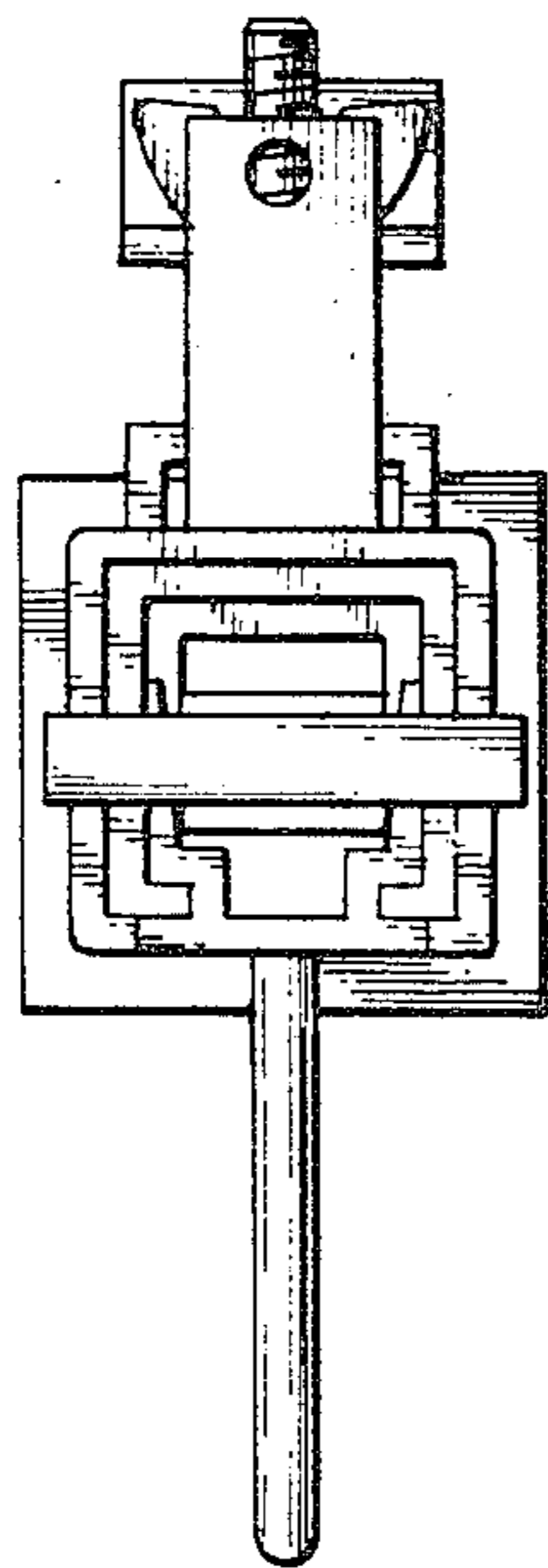
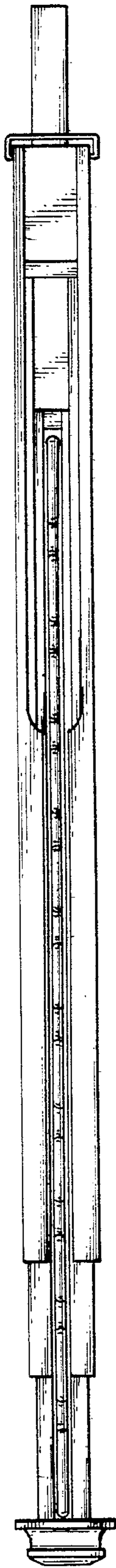


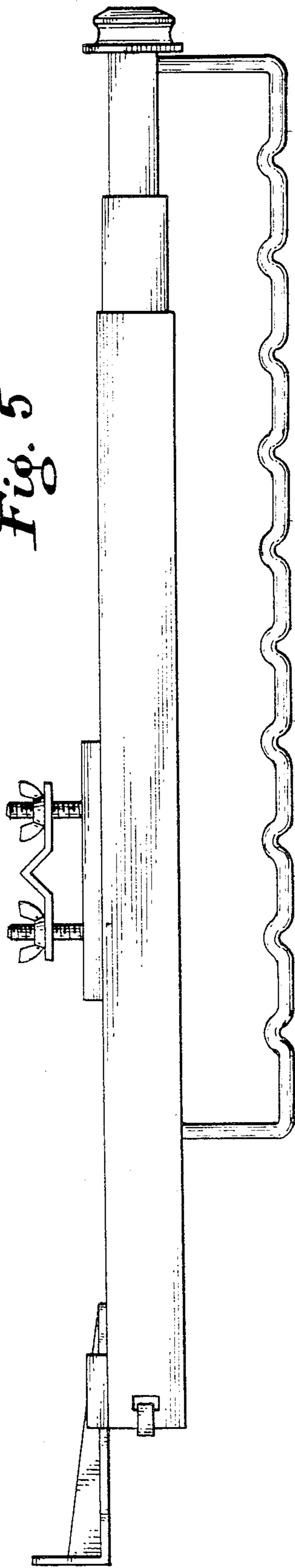
Fig. 3

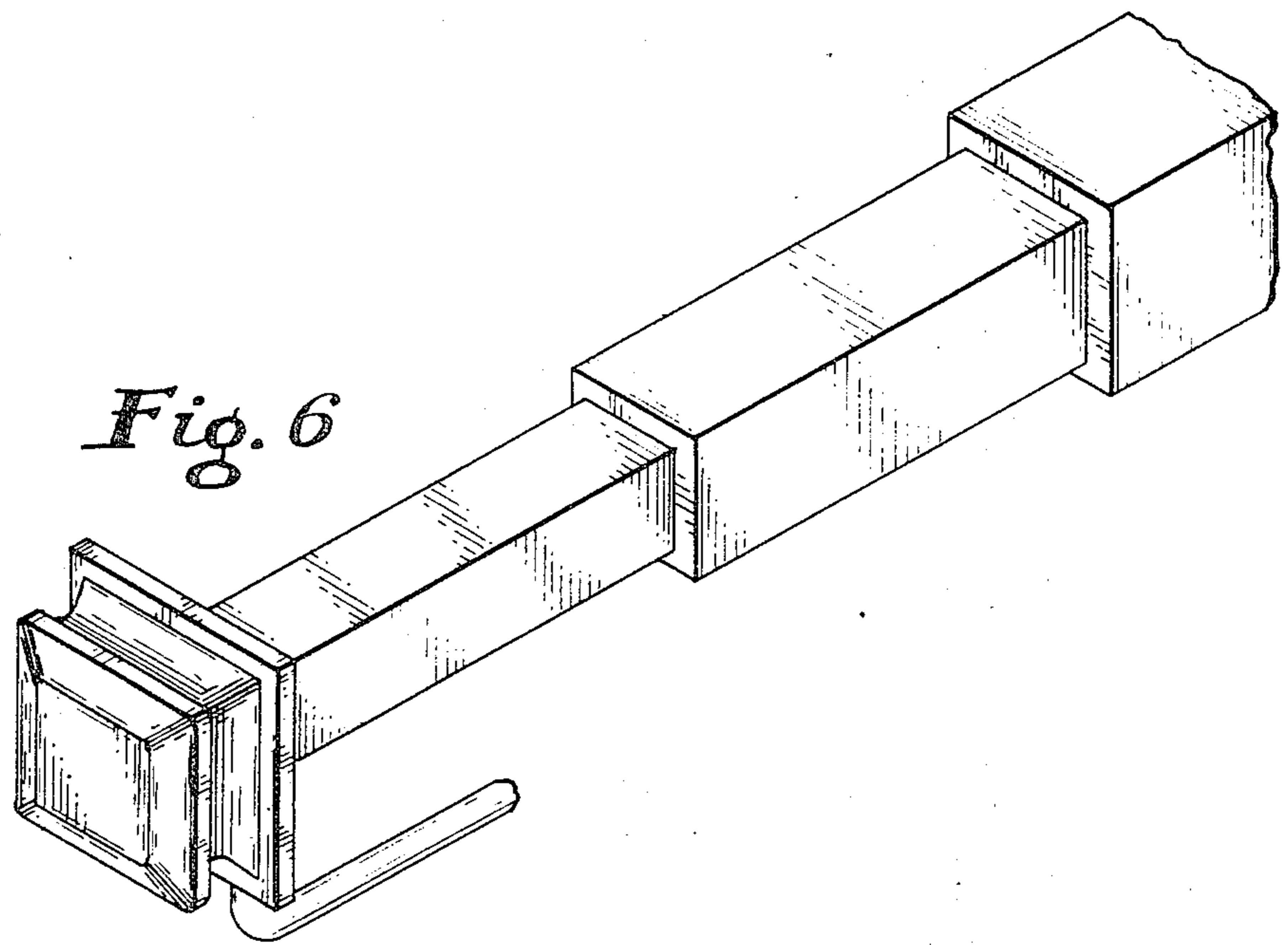


*Fig. 4*



*Fig. 5*





*Fig. 6*