

[54] CUTTING ATTACHMENT FOR PAPER ROLL HOLDER OR SIMILAR ARTICLE

[75] Inventors: Ingemar Sjöstedt, Västra Frölunda; Bertil Lunden, Hovås, both of Sweden

[73] Assignee: Molnlycke Aktiebolag, Gothenburg, Sweden

[\*\*] Term: 14 Years

[21] Appl. No.: 425,267

[22] Filed: Sep. 28, 1982

[30] Foreign Application Priority Data

Apr. 1, 1982 [SE] Sweden ..... 82-0854
[52] U.S. Cl. .... D6/523
[58] Field of Search ..... D6/96-98; 242/55.42, 55.53, 55.54, 55.55; 206/233; 225/106

[56] References Cited

U.S. PATENT DOCUMENTS

D. 231,057 4/1974 Larsson et al. .... D6/97
D. 238,025 12/1975 Persson ..... D6/96
D. 238,731 2/1976 Breger ..... D6/97

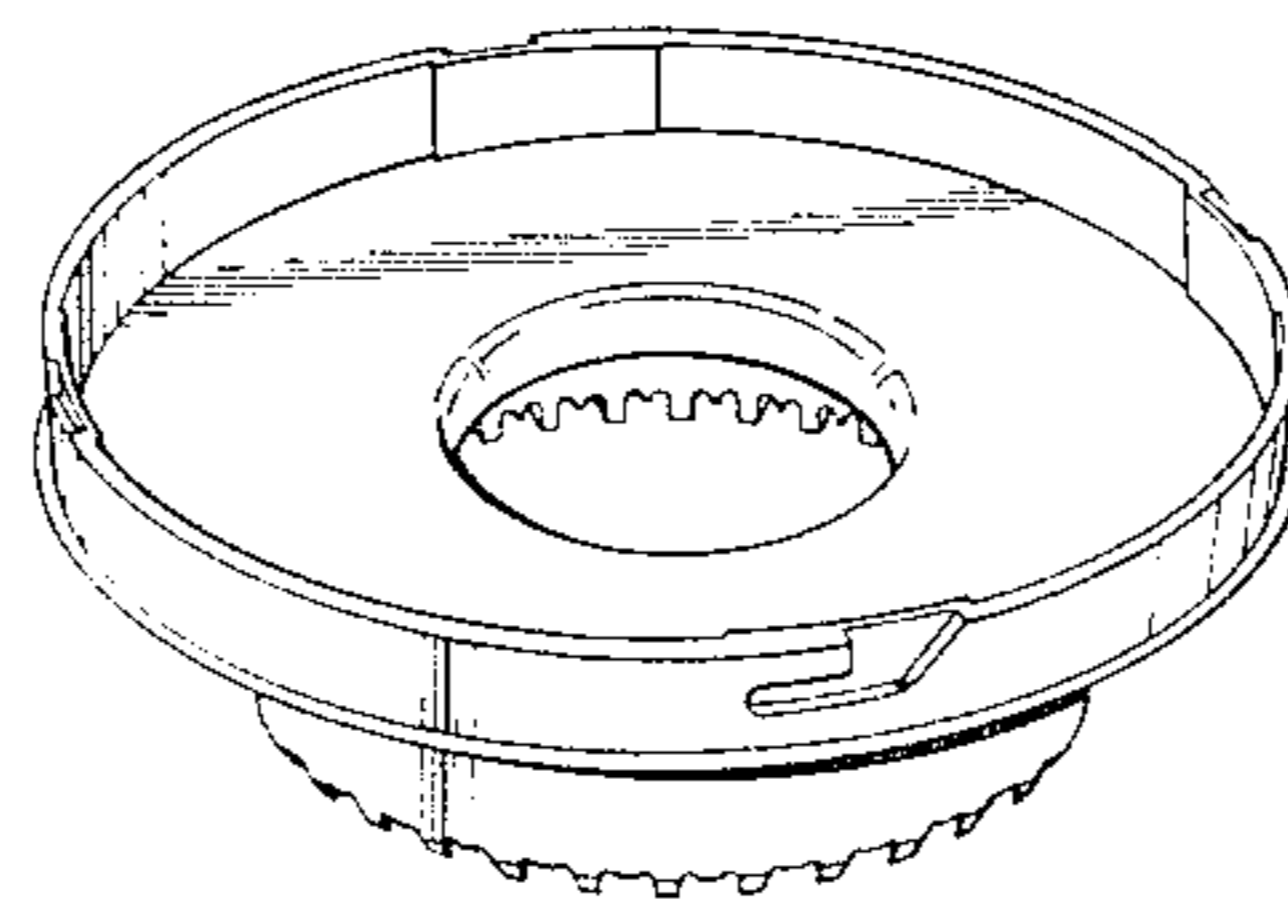
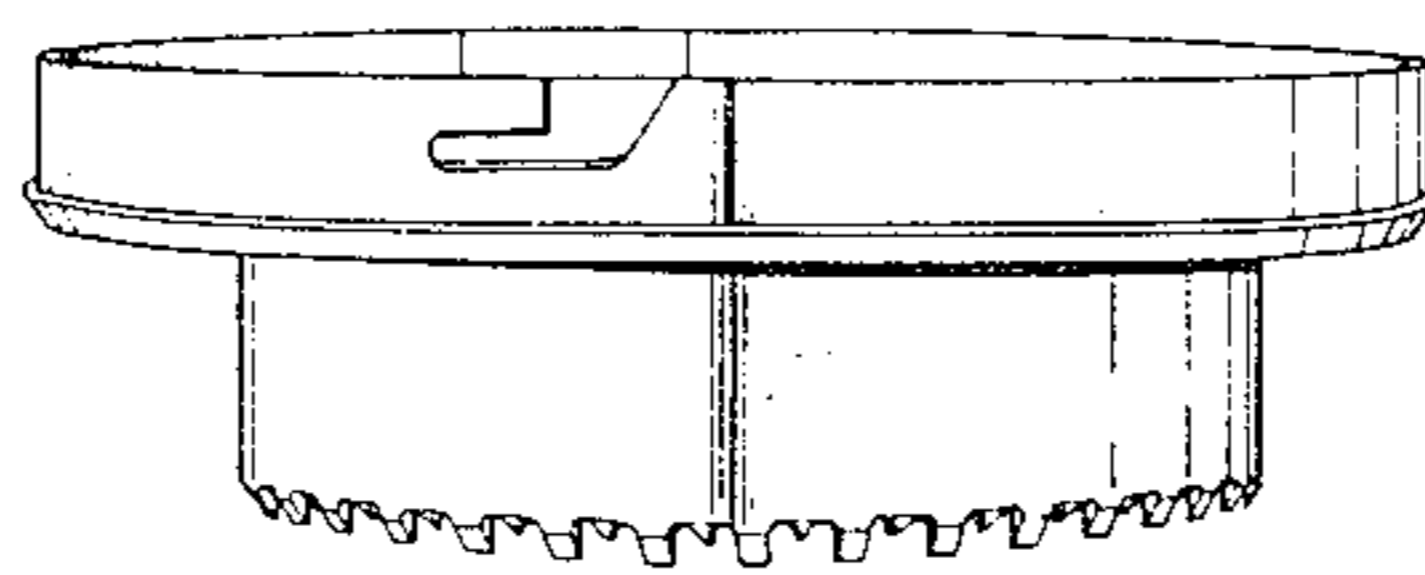
Primary Examiner—Louis S. Zarfes
Attorney, Agent, or Firm—Young & Thompson

[57] CLAIM

The ornamental design for a cutting attachment for paper roll holder or similar article, as shown and described.

DESCRIPTION

FIG. 1 is a perspective view of a cutting attachment for paper roll holder or similar article showing our new design; and FIG. 2 is a view similar to FIG. 1 but slightly rotated counterclockwise as seen from above and taken from a higher angle. The device is identical in appearance to FIGS. 1 and 2 for each of the other three positions thereof rotated through increments of 90°.



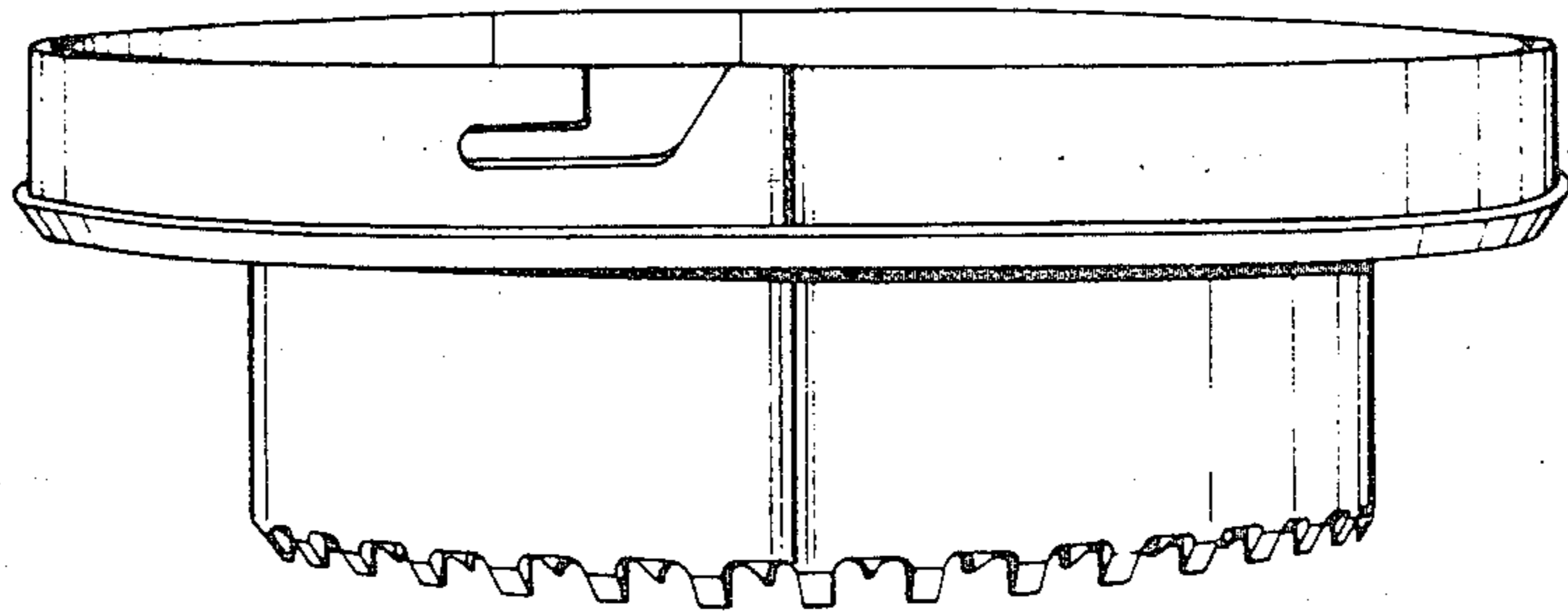


FIG. 1

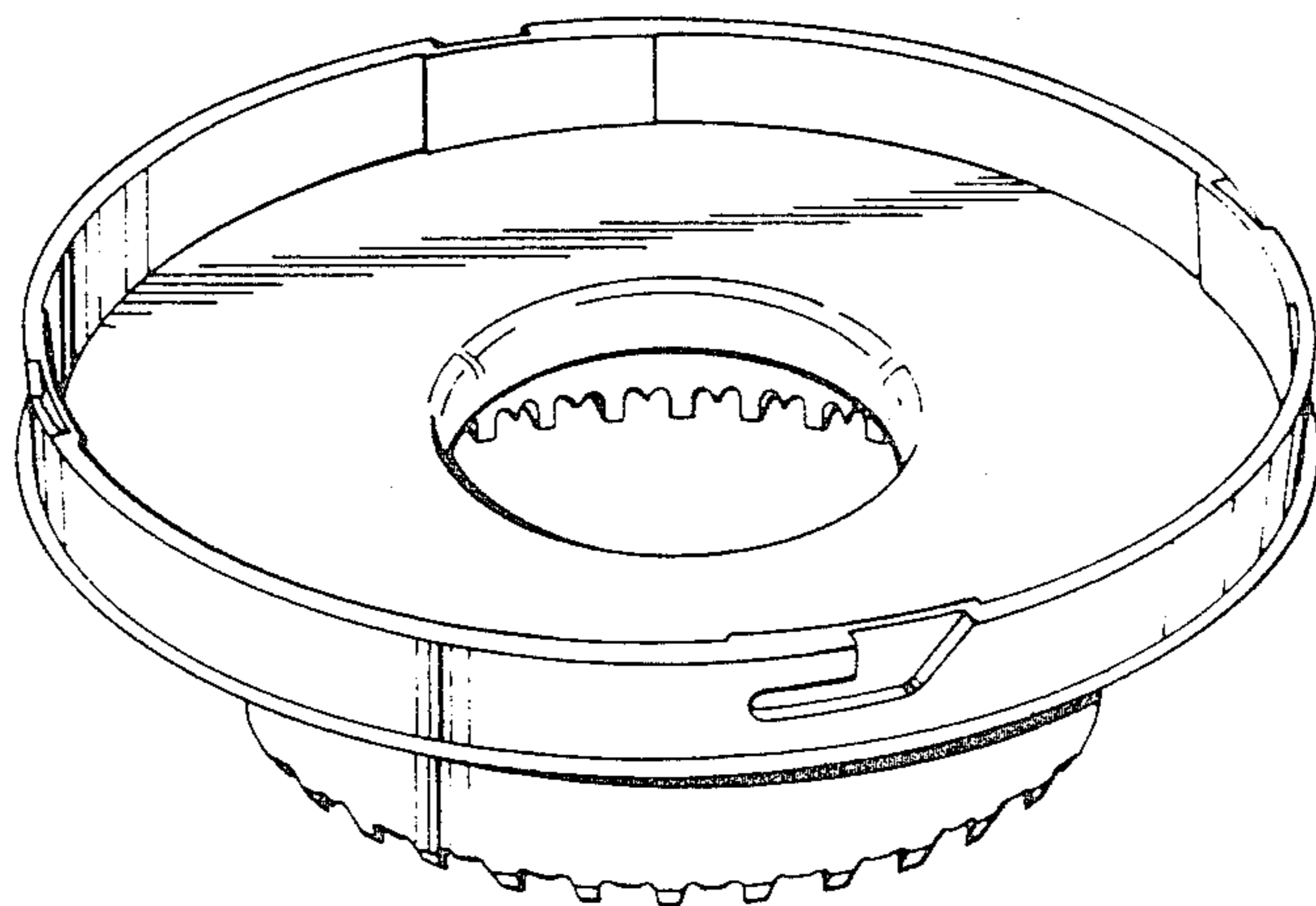


FIG. 2