

[54] **HOLDER FOR FITTING AN ACCESSORY, ESPECIALLY AN EAR MUFF, TO A SAFETY HELMET**

[76] Inventor: **Bo G. Lönnstedt**,
Kvarnbergsvägen 23, S-141 45
Huddinge, Sweden

[**] Term: **14 Years**

[21] Appl. No.: **401,931**

[22] Filed: **Jul. 26, 1982**

[30] **Foreign Application Priority Data**

Jan. 26, 1982 [SE] Sweden 82-0158
[52] **U.S. Cl.** **D2/233**
[58] **Field of Search** D2/230, 231, 232, 233;
2/424, 423, 422, 425

[56] **References Cited**

U.S. PATENT DOCUMENTS

D. 262,326 12/1981 Lönnstedt D2/233

2,834,017 5/1958 Simpson et al. D2/233 X
3,373,444 3/1968 Militello 2/424 X
4,167,043 9/1979 Hartig 2/423
4,287,614 9/1981 Lönnstedt 2/423

FOREIGN PATENT DOCUMENTS

2015868 9/1979 United Kingdom 2/424

Primary Examiner—Carmen H. Vales
Attorney, Agent, or Firm—Young & Thompson

[57] **CLAIM**

The ornamental design for a holder for fitting an accessory, especially an ear muff, to a safety helmet, as shown and described.

DESCRIPTION

FIG. 1 is a top perspective view of a holder for fitting an accessory, especially an ear muff, to a safety helmet showing my new design;
FIG. 2 is a right end elevational view, the left end being a mirror image thereof; and
FIG. 3 is a bottom perspective view thereof.

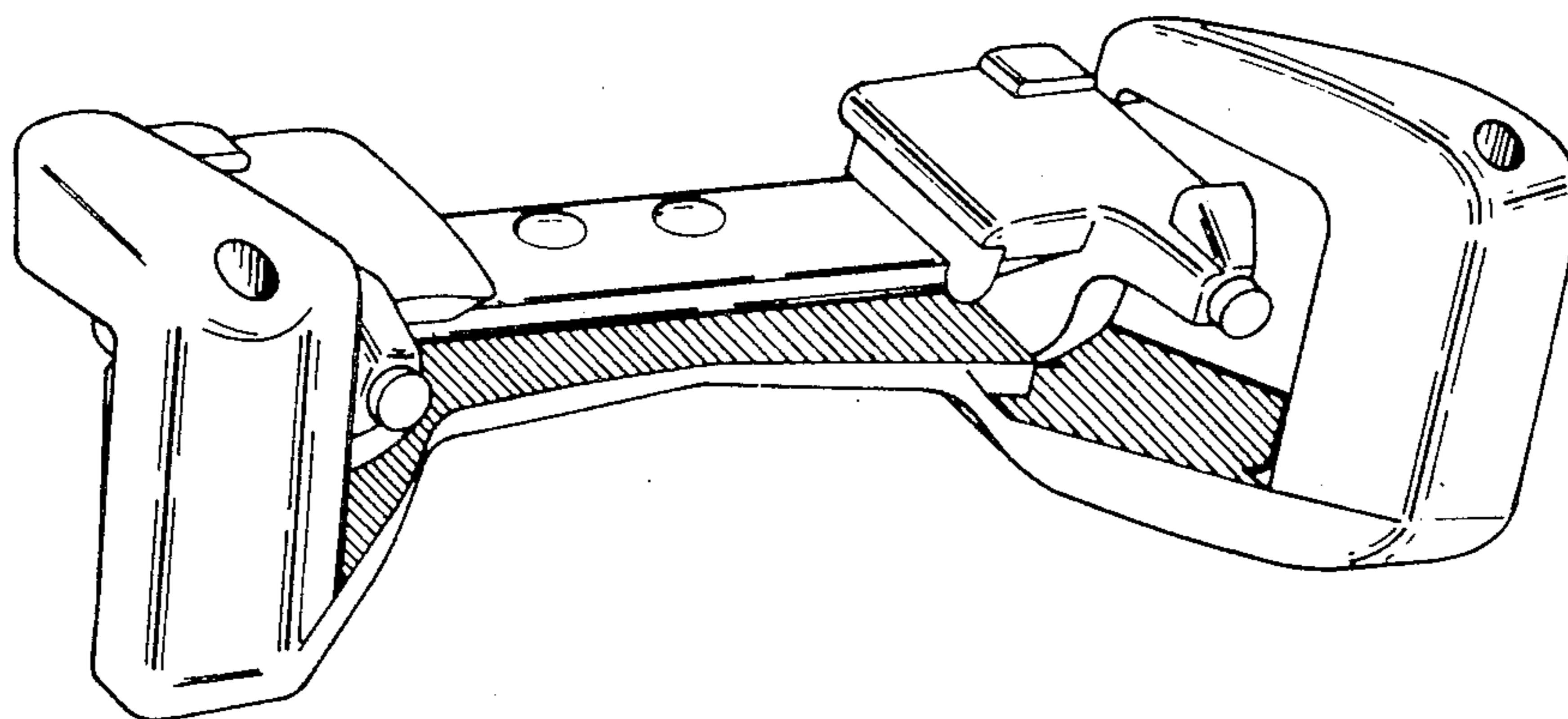


FIG. 1

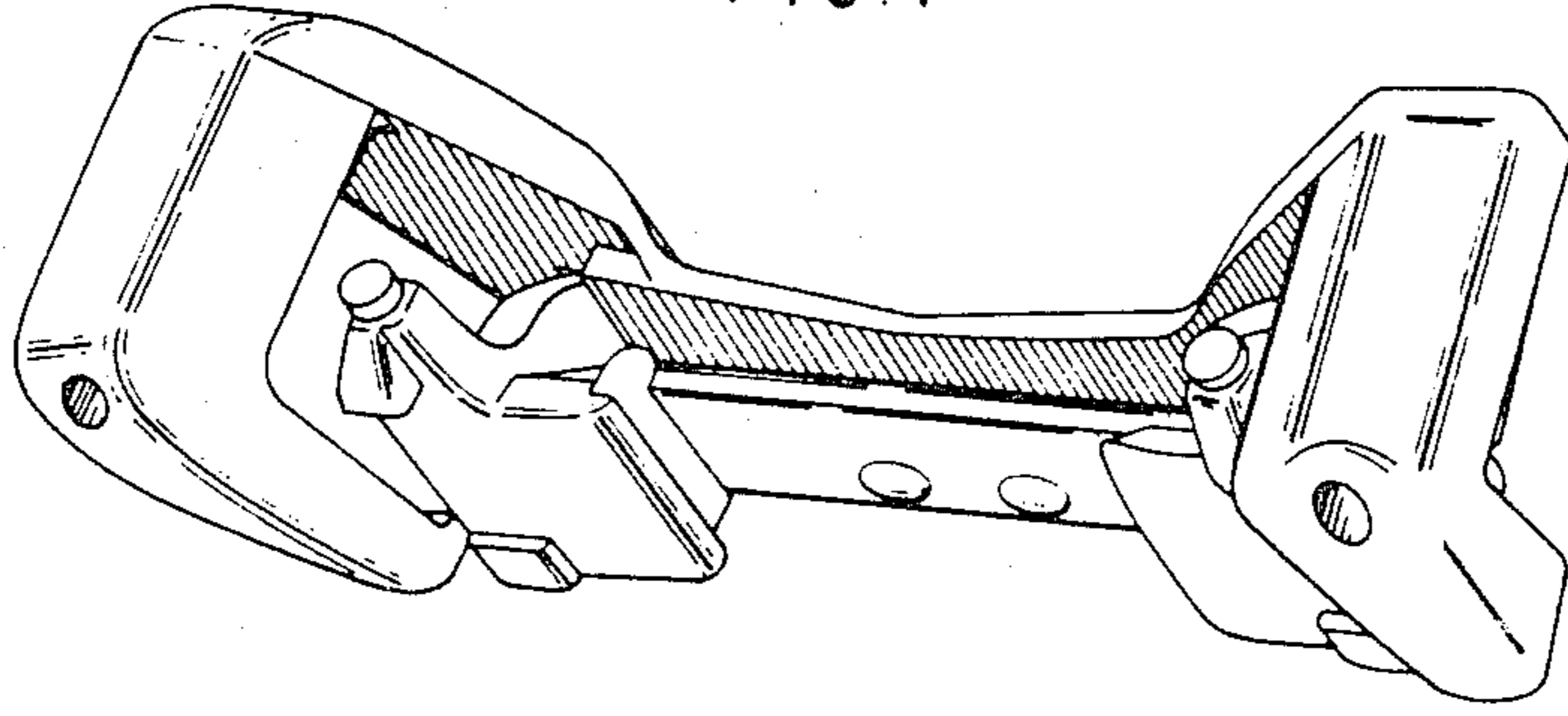


FIG. 2

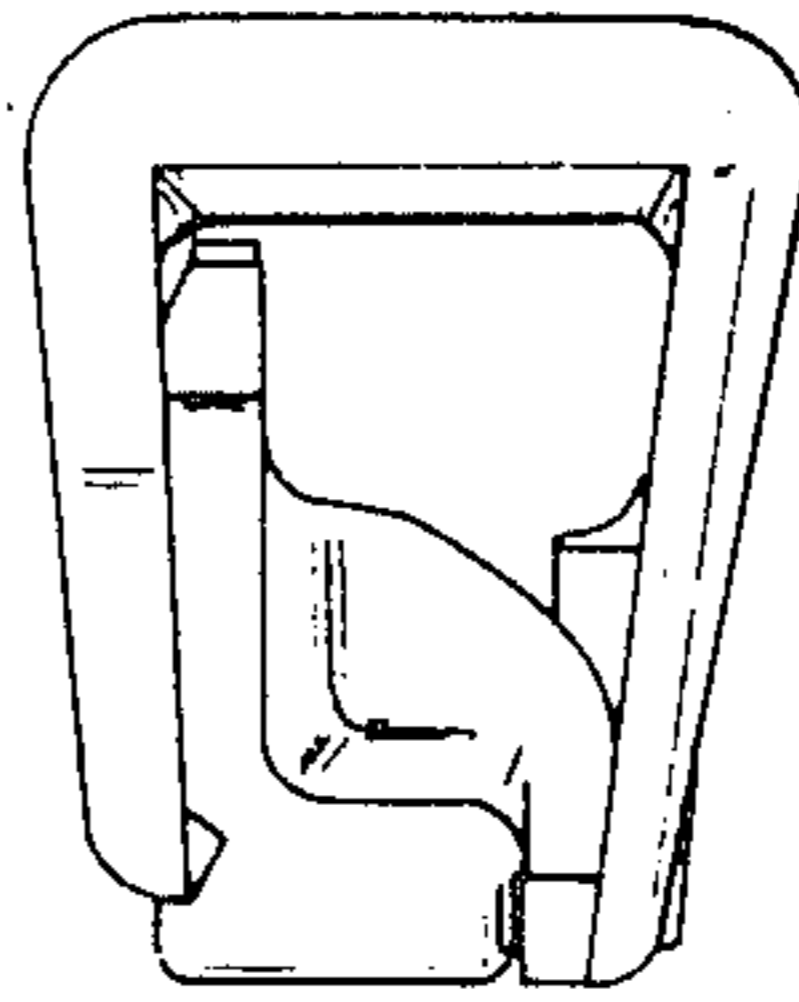


FIG. 3

