

[54] CHEST PROTECTOR

[76] Inventor: John R. Gregory, 515 Otay Valley Rd., Chula Vista, Calif. 92011

[**] Term: 14 Years

[21] Appl. No.: 395,483

[22] Filed: Jul. 6, 1982

[52] U.S. Cl. D2/27

[58] Field of Search D2/27; 2/2

[56] References Cited

U.S. PATENT DOCUMENTS

D. 270,776	10/1983	Dawson	D2/27
2,545,039	3/1951	Mitchel	2/2
3,500,472	3/1970	Castellani	2/2
3,739,397	6/1973	Truelove	2/2
3,740,762	6/1973	Truelove	2/2

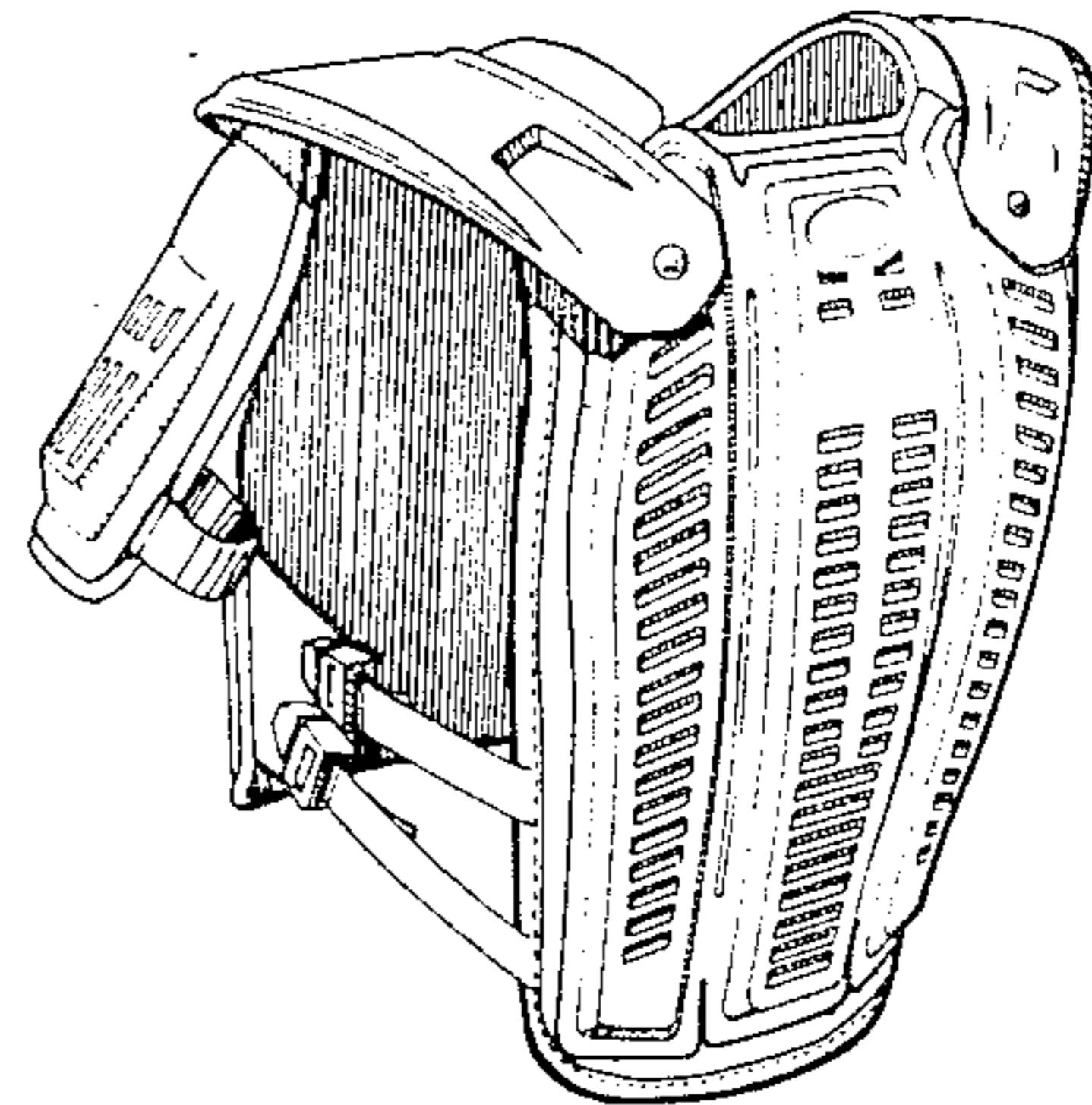
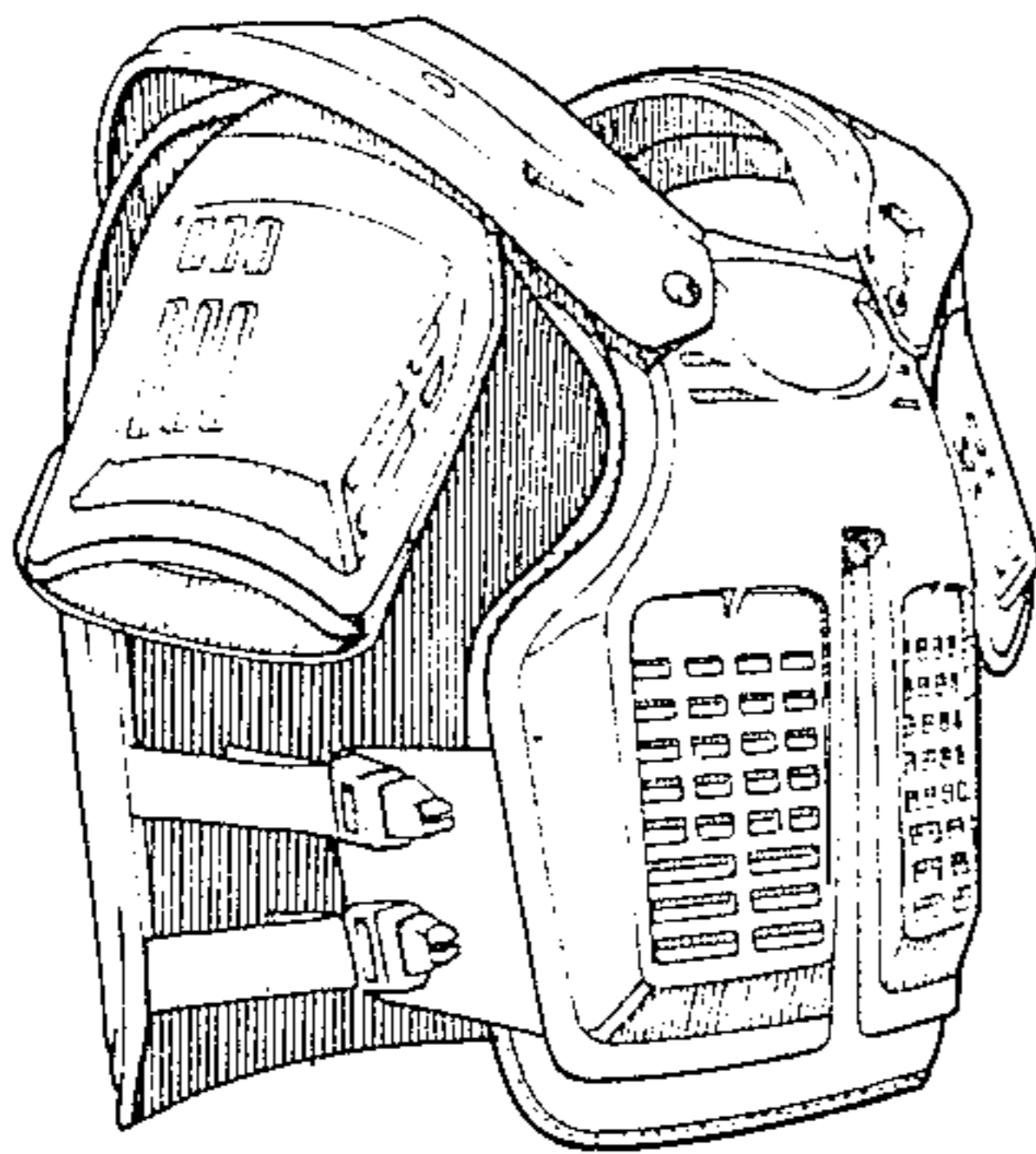
Primary Examiner—Jane E. Corrigan
Attorney, Agent, or Firm—John L. Haller

[57] CLAIM

The ornamental design for a chest protector, as shown and described.

DESCRIPTION

FIG. 1 is front and left side perspective view of a chest protector showing my new design;
 FIG. 2 is a rear and right side perspective view;
 FIG. 3 is a front elevational view;
 FIG. 4 is a rear elevation view;
 FIG. 5 is a left side elevational view;
 FIG. 6 is a top plan view;
 FIG. 7 is a sectional view taken along line 7—7 in FIG. 3; and
 FIG. 8 is a sectional view taken along line 8—8 of FIG. 3.



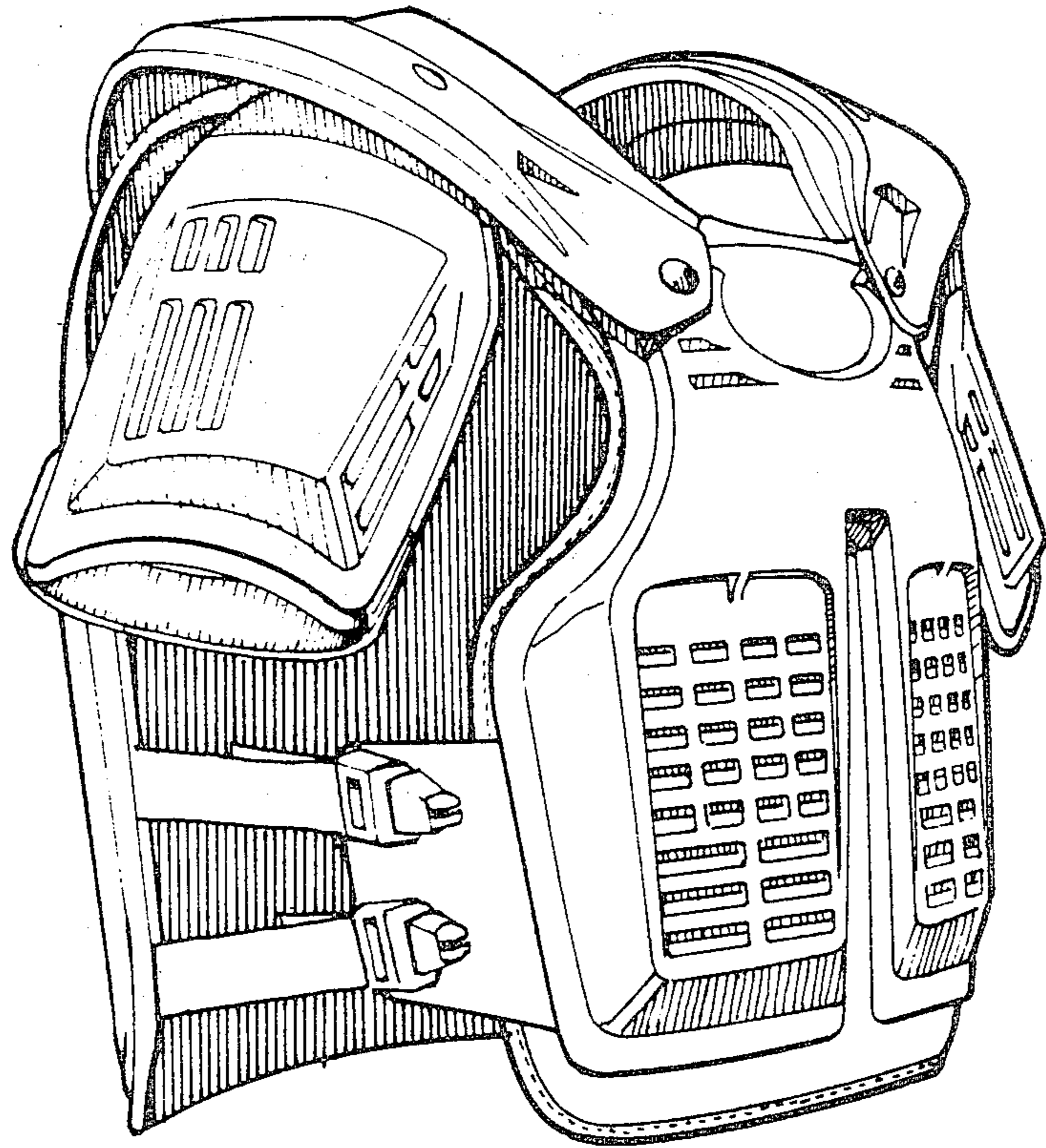
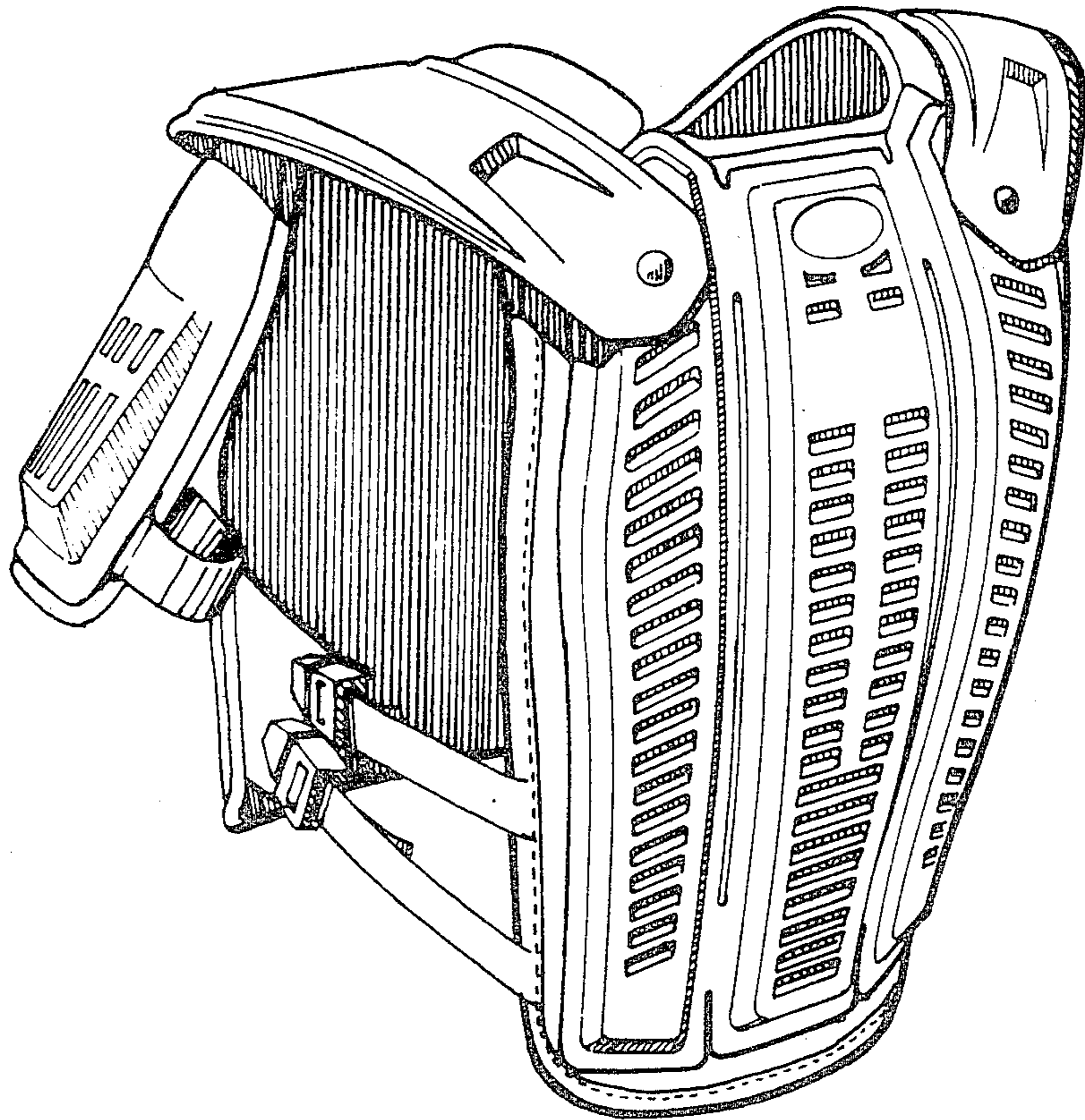


FIG. 1.

FIG. 2.



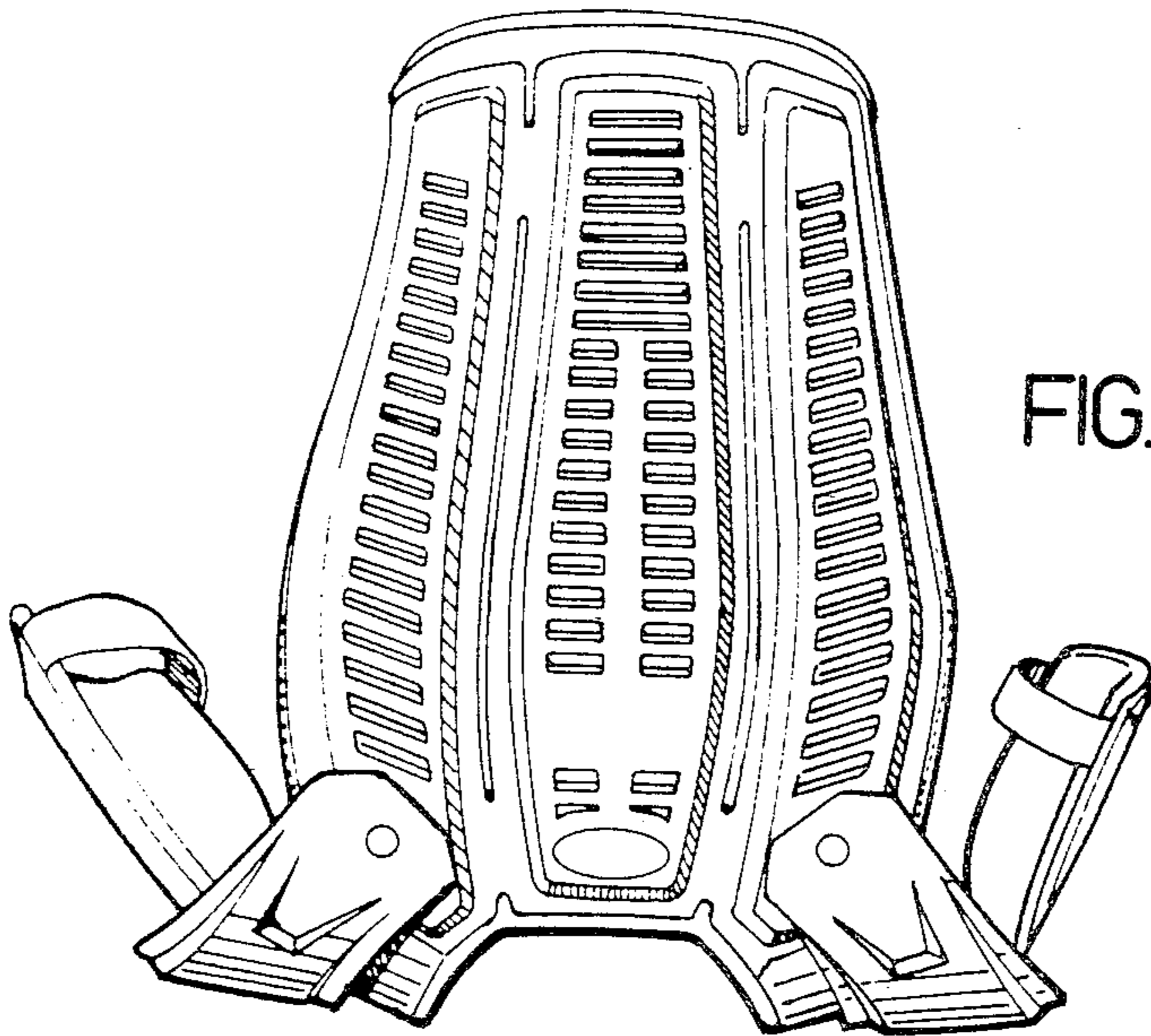


FIG. 4.

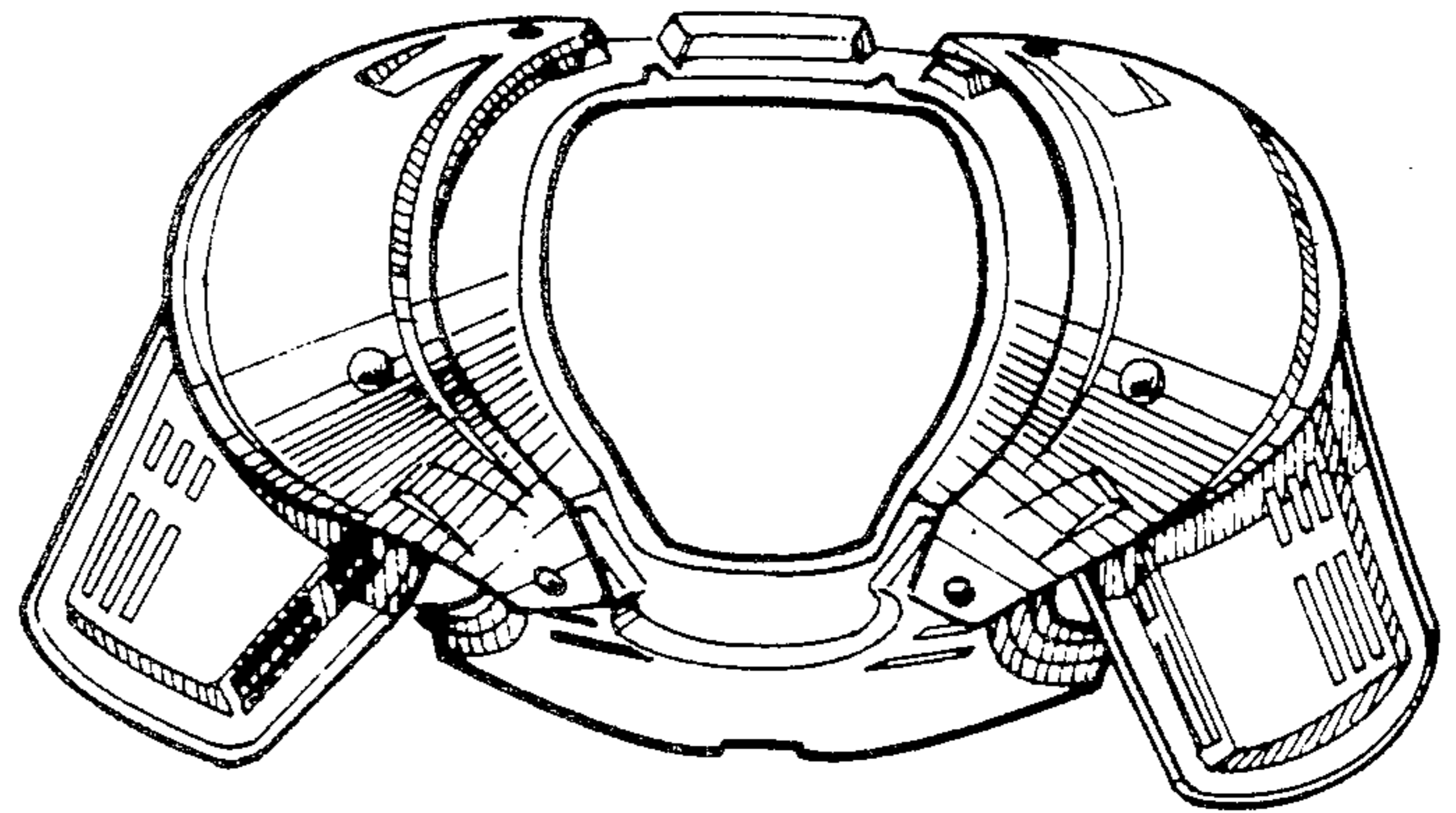


FIG. 6.

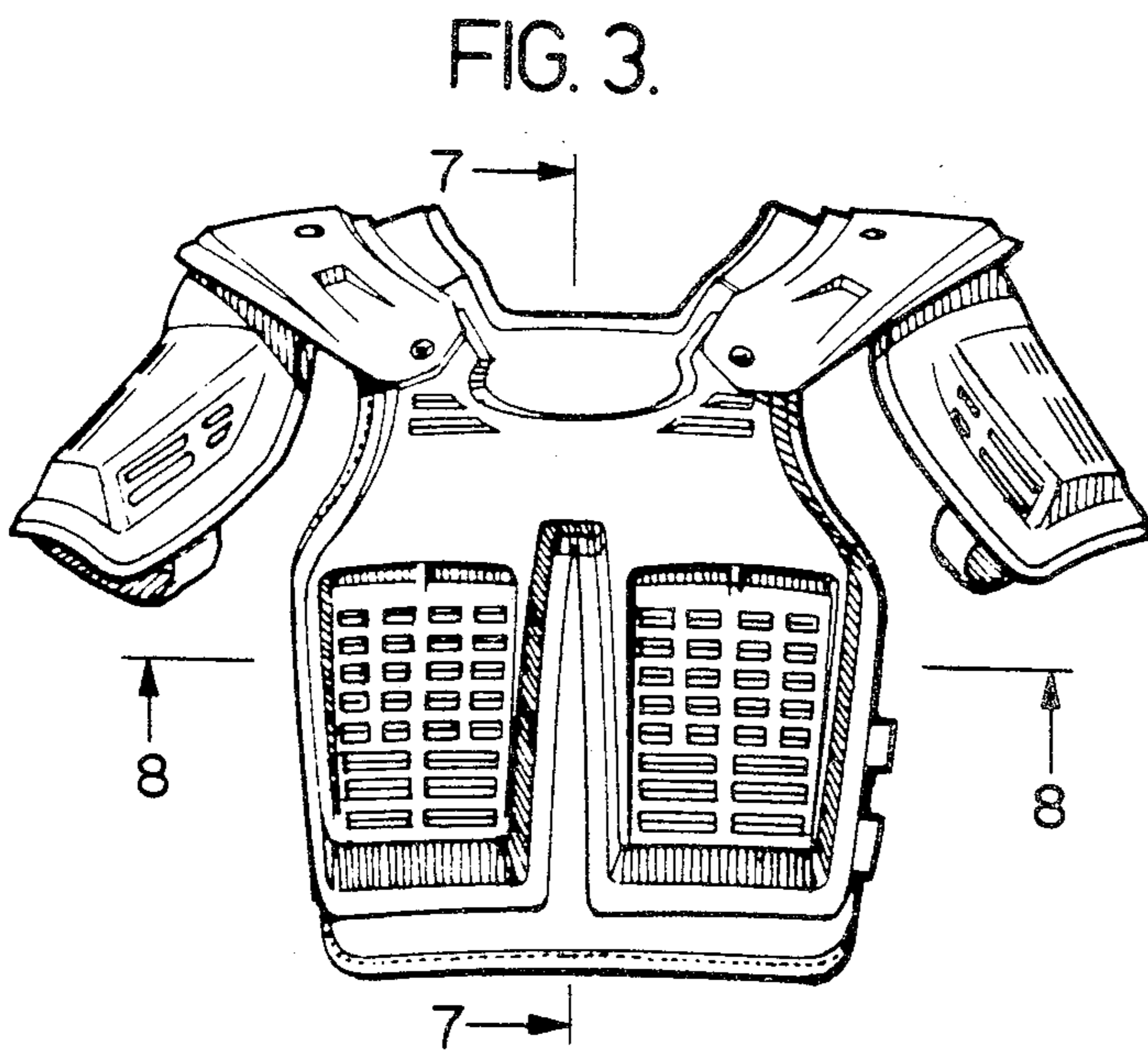


FIG. 3.

FIG. 5.

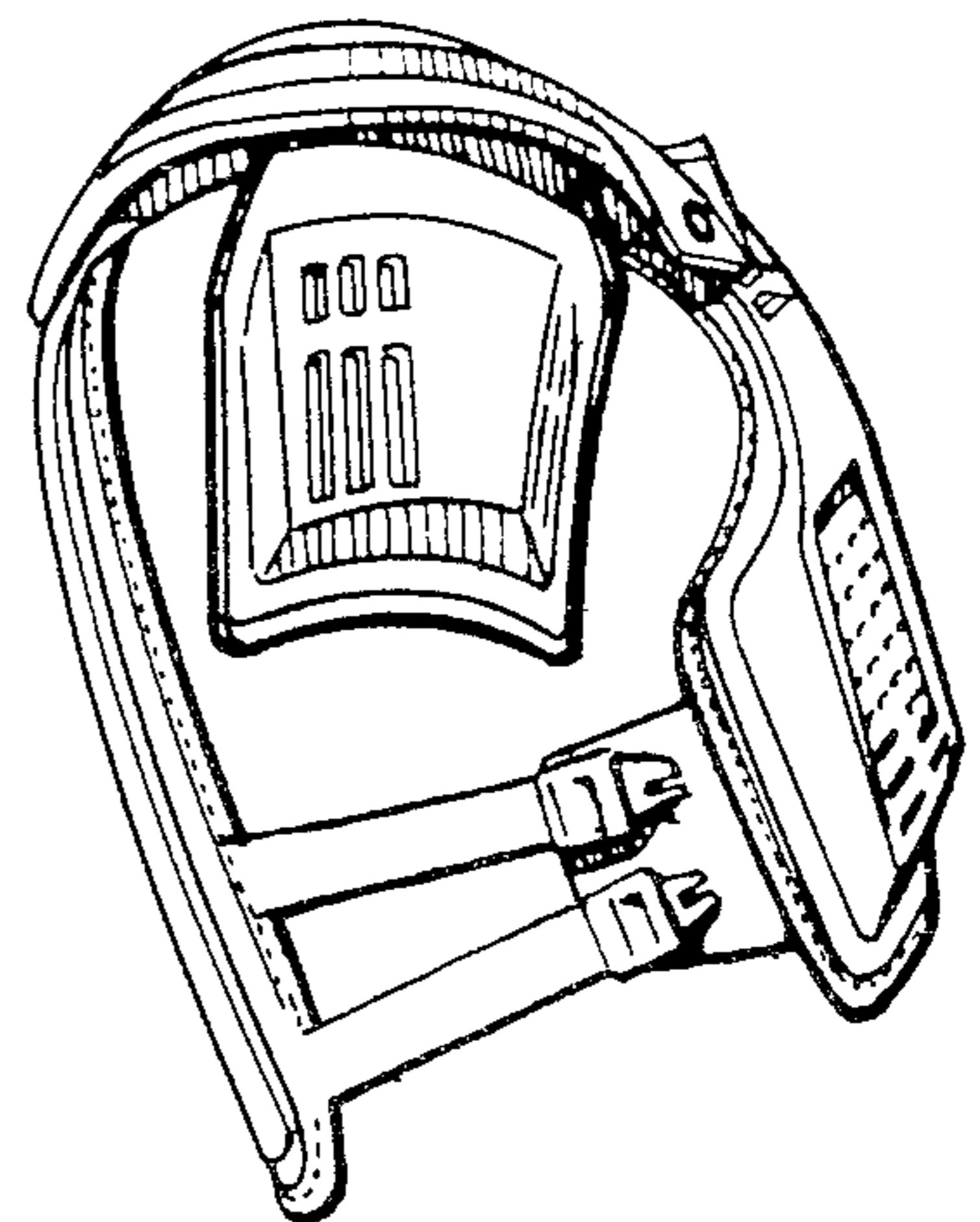


FIG. 8.

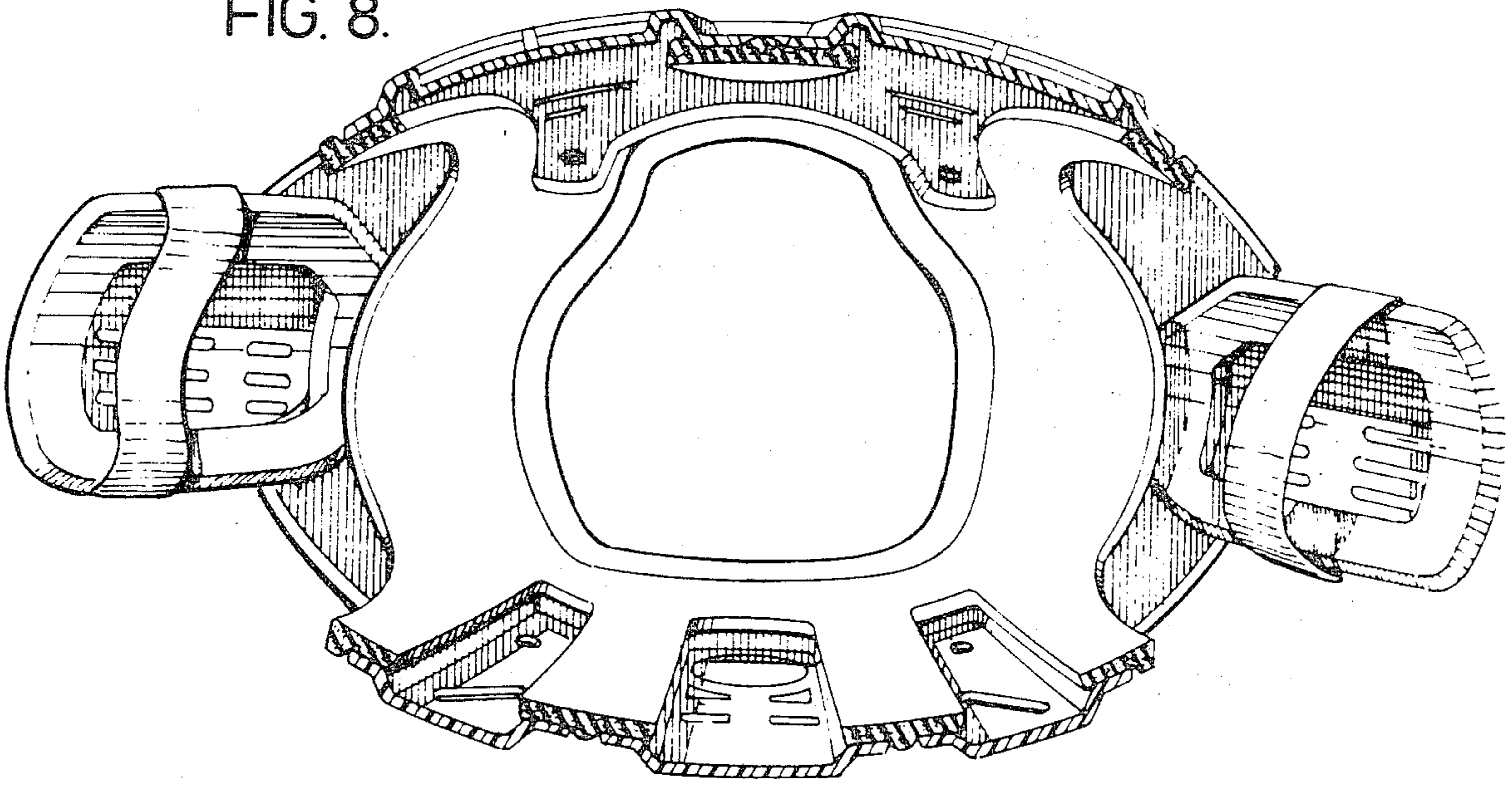


FIG. 7.

