

[54] **GAS PRESSURE  
DIFFERENTIAL-MEASURING SYSTEM  
ORIFICE FITTING**

[75] **Inventors: Adam F. Gall; Howard P. McJunkin, Jr., both of Charleston, W. Va.**

[73] **Assignee: McJunkin Corporation, Charleston, W. Va.**

[\*\*] **Term: 14 Years**

[21] **Appl. No.: 436,459**

[22] **Filed: Oct. 25, 1982**

[52] **U.S. Cl. .... D23/1**

[58] **Field of Search ..... D23/1, 19; 138/44, 45, 138/37; 137/75, 625.31; 251/144, 145, 148, 149, 77, 19, 83**

[56] **References Cited**

**U.S. PATENT DOCUMENTS**

Re. 24,534	9/1958	Dahl .....	138/45
1,822,961	9/1931	Emery .	
1,958,854	5/1934	Kellett .....	137/75
1,980,699	11/1934	Robinson .....	137/75
2,407,951	9/1946	Daniel .....	138/44
2,687,748	8/1954	Whalen .....	138/44
2,688,985	9/1954	Holdenried .....	138/37
2,688,987	9/1954	Whalen .....	138/44
2,689,102	9/1954	Whalen .....	248/230
2,860,901	11/1958	Whalen .....	288/33
2,896,668	7/1959	Aitken .....	138/44
2,936,790	5/1960	Dahl et al. .	

3,013,770	12/1961	Anderson et al. ....	251/329
3,079,796	3/1963	Frudenthal et al. ....	73/211
3,105,384	10/1963	Hodgeman et al. ....	73/211
3,126,917	3/1964	Hodgeman et al. ....	138/44
3,176,723	4/1965	Hodgeman et al. ....	138/44
3,332,439	7/1967	Burke .....	137/556
3,695,106	10/1972	Geisow .....	73/231 R
3,713,337	1/1973	Stroman .....	73/205 R
3,822,592	7/1974	Siegel et al. ....	73/211
3,934,614	1/1976	Elek et al. ....	138/44
3,948,099	4/1976	Geisow .....	73/231 R
4,014,366	3/1977	Critendon .....	138/44
4,191,216	3/1980	Connolly .....	138/44
4,393,722	7/1983	Scott .....	138/44

*Primary Examiner*—Wallace R. Burke

*Assistant Examiner*—Lynn Wilder

*Attorney, Agent, or Firm*—Cushman, Darby & Cushman

[57] **CLAIM**

The ornamental design for a gas pressure differential-measuring system orifice fitting, as shown and described.

**DESCRIPTION**

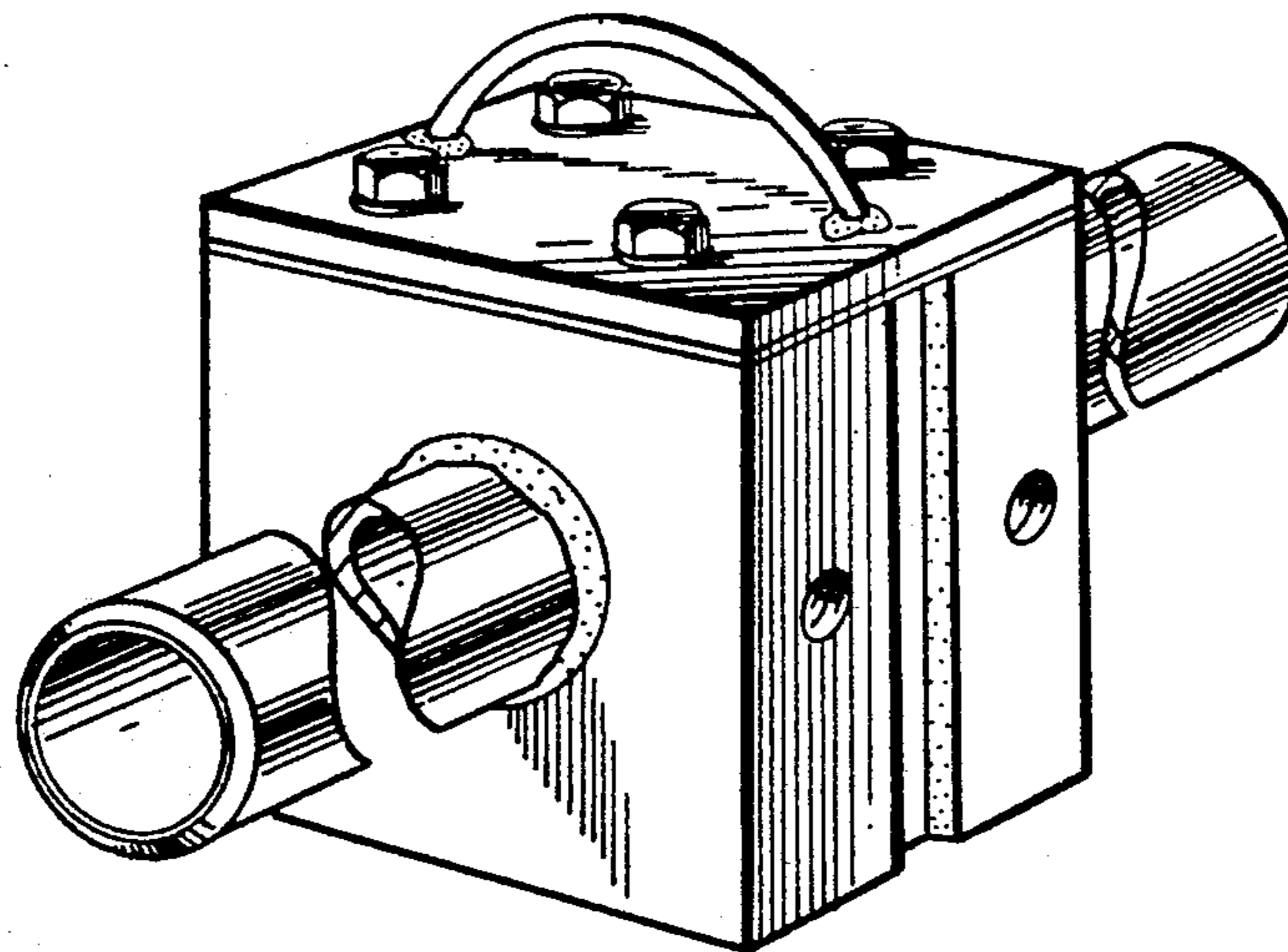
FIG. 1 is a reduced perspective view of a gas pressure differential measuring system orifice fitting showing my new design;

FIG. 2 is a rear elevational view thereof;

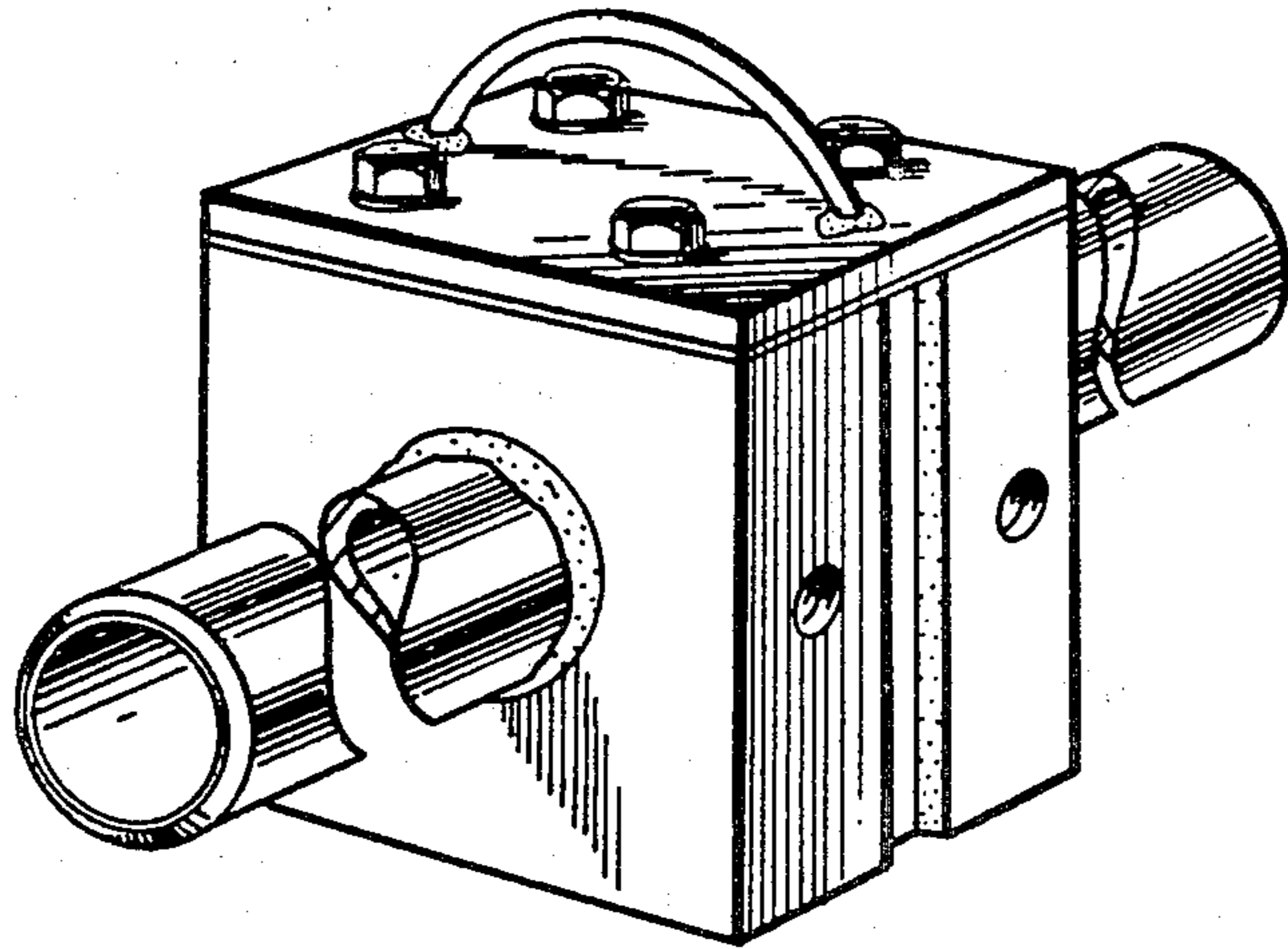
FIG. 3 is a right side elevational view thereof, the left side being a mirror image thereof; and

FIG. 4 is a bottom plan view thereof.

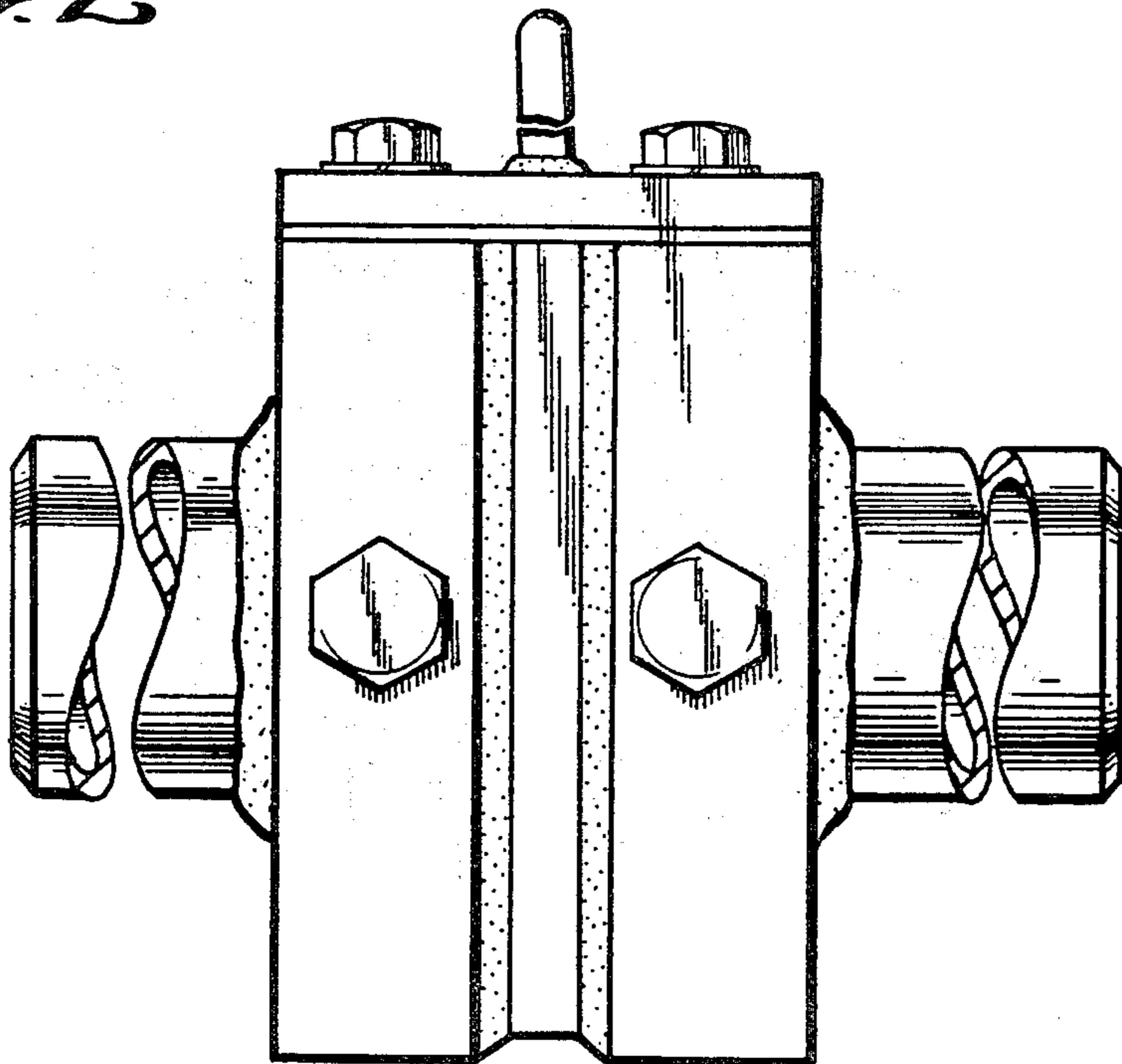
The pipes are shown broken away in FIGS. 1, 2 and 4 to indicate indeterminate length.



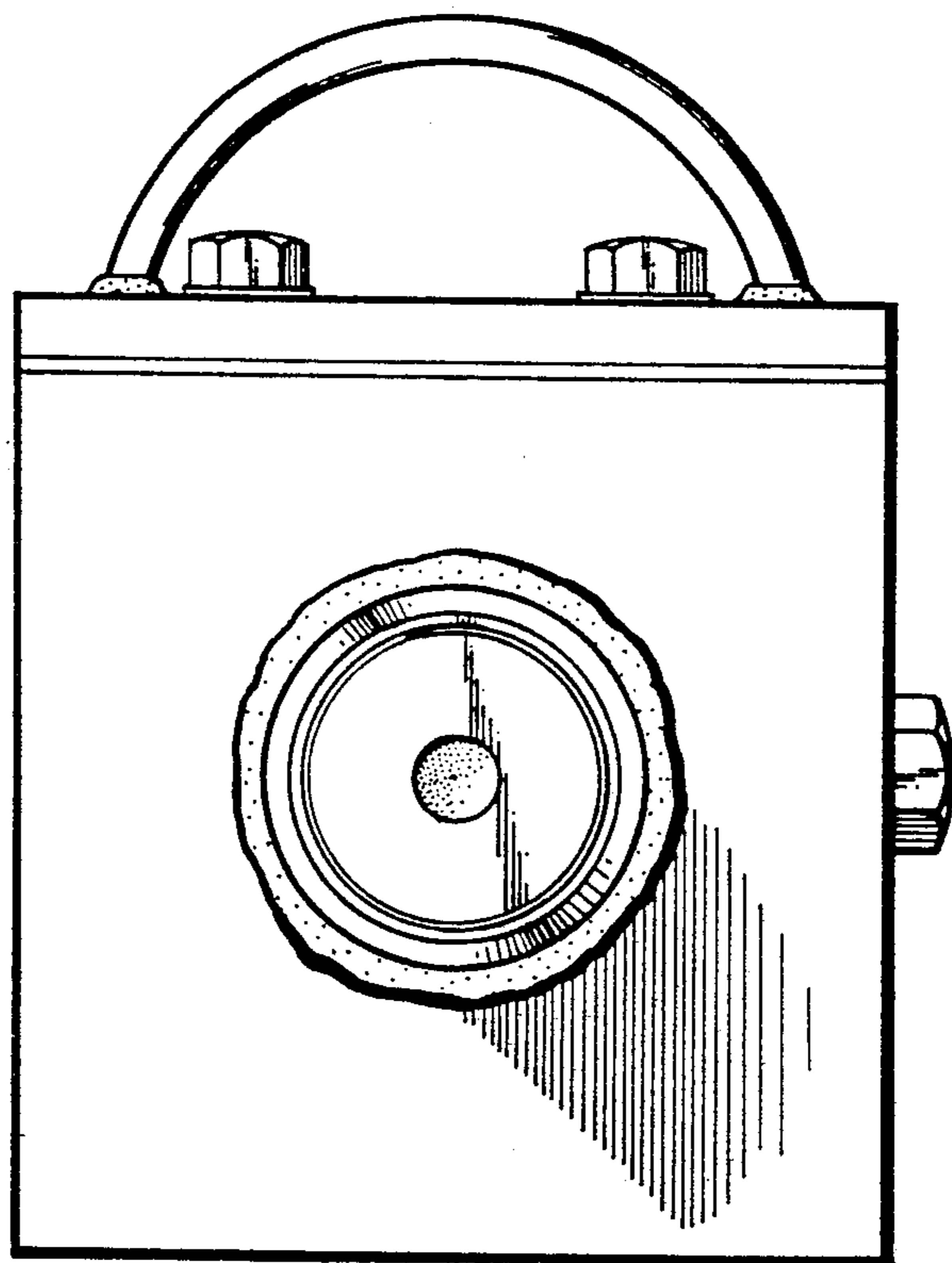
*Fig. 1*



*Fig. 2*



*Fig. 3*



*Fig. 4*

