

[54] ABDOMINAL EXERCISE BENCH

[76] Inventor: Martin W. Johnson, R.R. #1, Box 95, Portland, N. Dak. 58274

[\*\*] Term: 14 Years

[21] Appl. No.: 430,735

[22] Filed: Sep. 29, 1982

[52] U.S. Cl. .... D21/191

[58] Field of Search ..... D21/191-197, D21/199; 273/93, 125, 134, 138, 139, 142, 143, 144, 145, 109; D6/3, 4, 5, 7, 64

[56] References Cited

U.S. PATENT DOCUMENTS

- D. 258,975 4/1981 Irvine ..... D21/191
- D. 262,810 1/1982 Lynn ..... D21/191

FOREIGN PATENT DOCUMENTS

667083 9/1964 Italy ..... 272/138

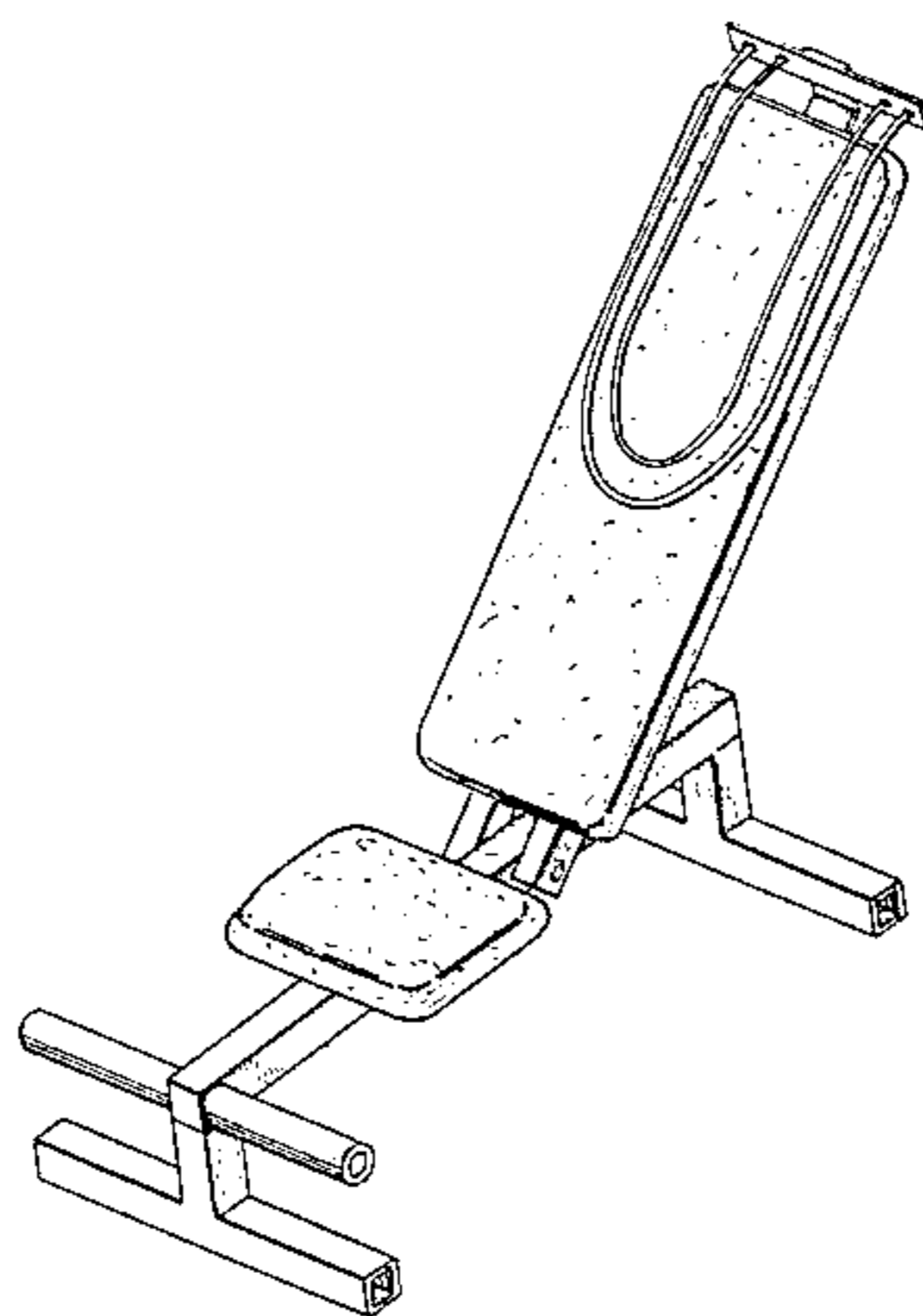
Primary Examiner—Charles A. Rademaker  
Attorney, Agent, or Firm—Mason, Fenwick & Lawrence

[57] CLAIM

The ornamental design for an abdominal exercise bench, as shown and described.

DESCRIPTION

FIG. 1 is a top perspective view of an abdominal exercise bench showing my new design;  
 FIG. 2 is another top perspective view thereof with the back in a raised position;  
 FIG. 3 is a top plan view thereof;  
 FIG. 4 is a left side elevational view thereof, the side opposite being substantially a mirror image;  
 FIG. 5 is a bottom plan view thereof;  
 FIG. 6 is a front elevational view thereof; and,  
 FIG. 7 is a rear elevational view thereof.



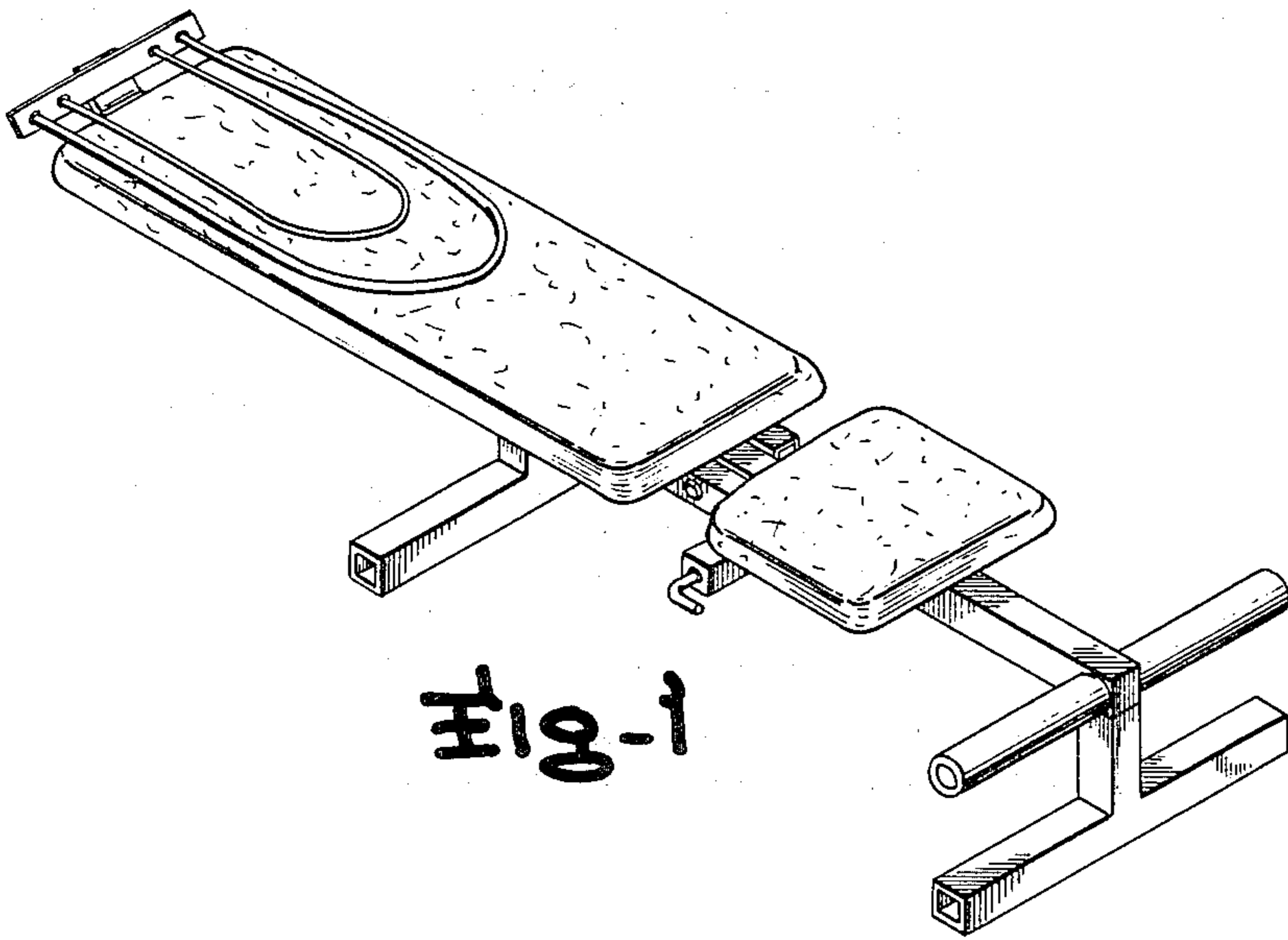


FIG-1

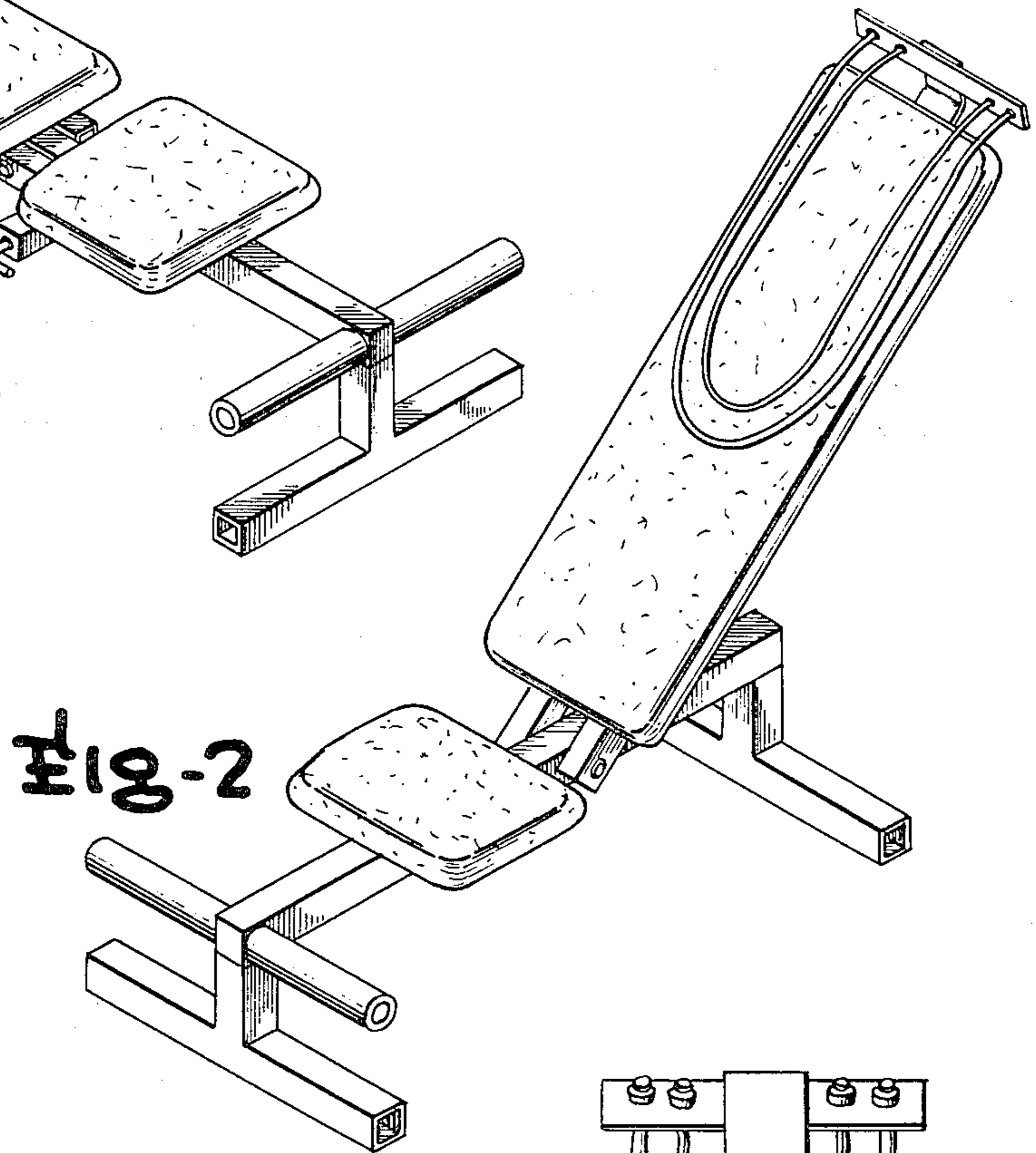


FIG-2

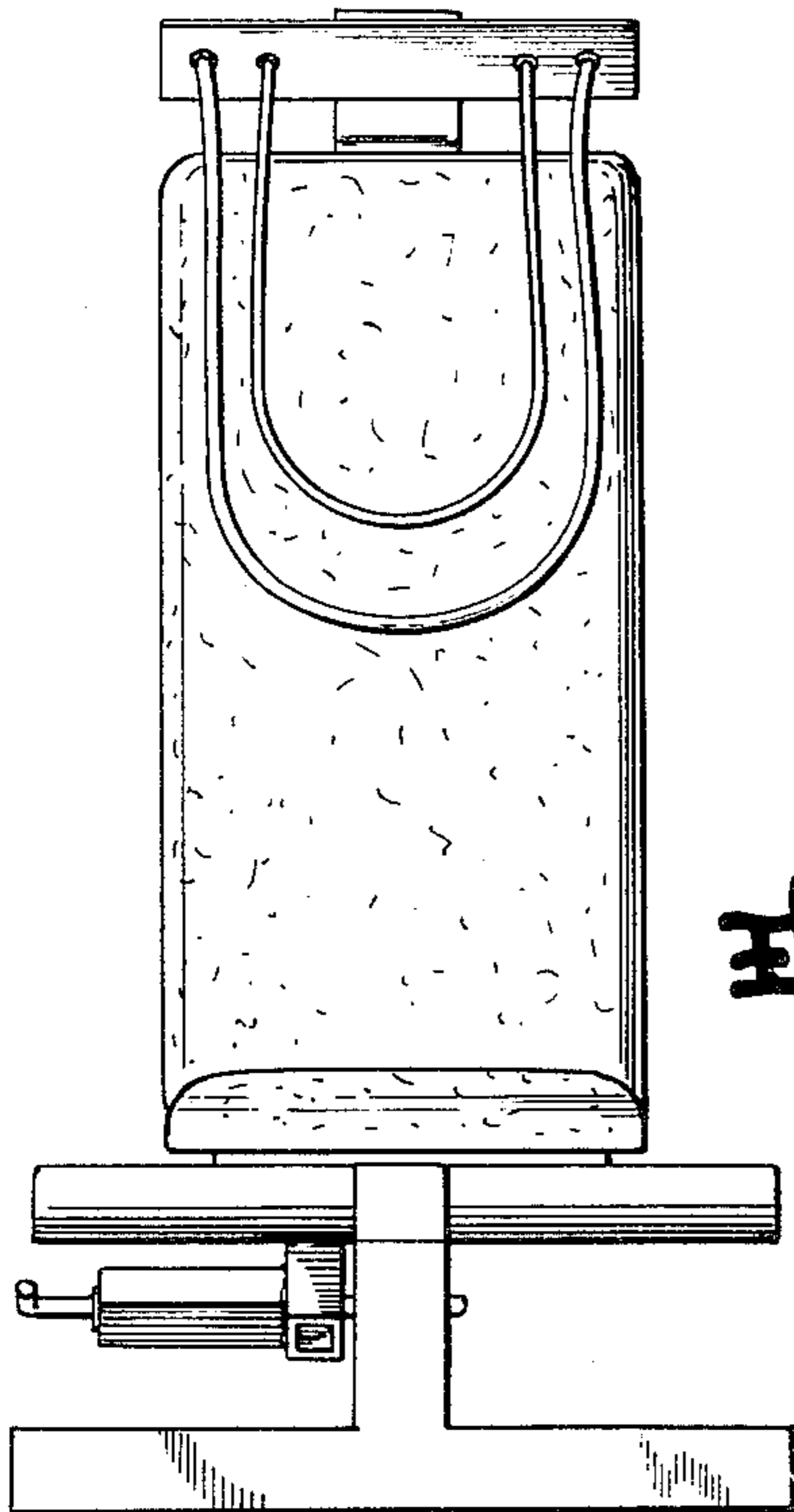


FIG-6

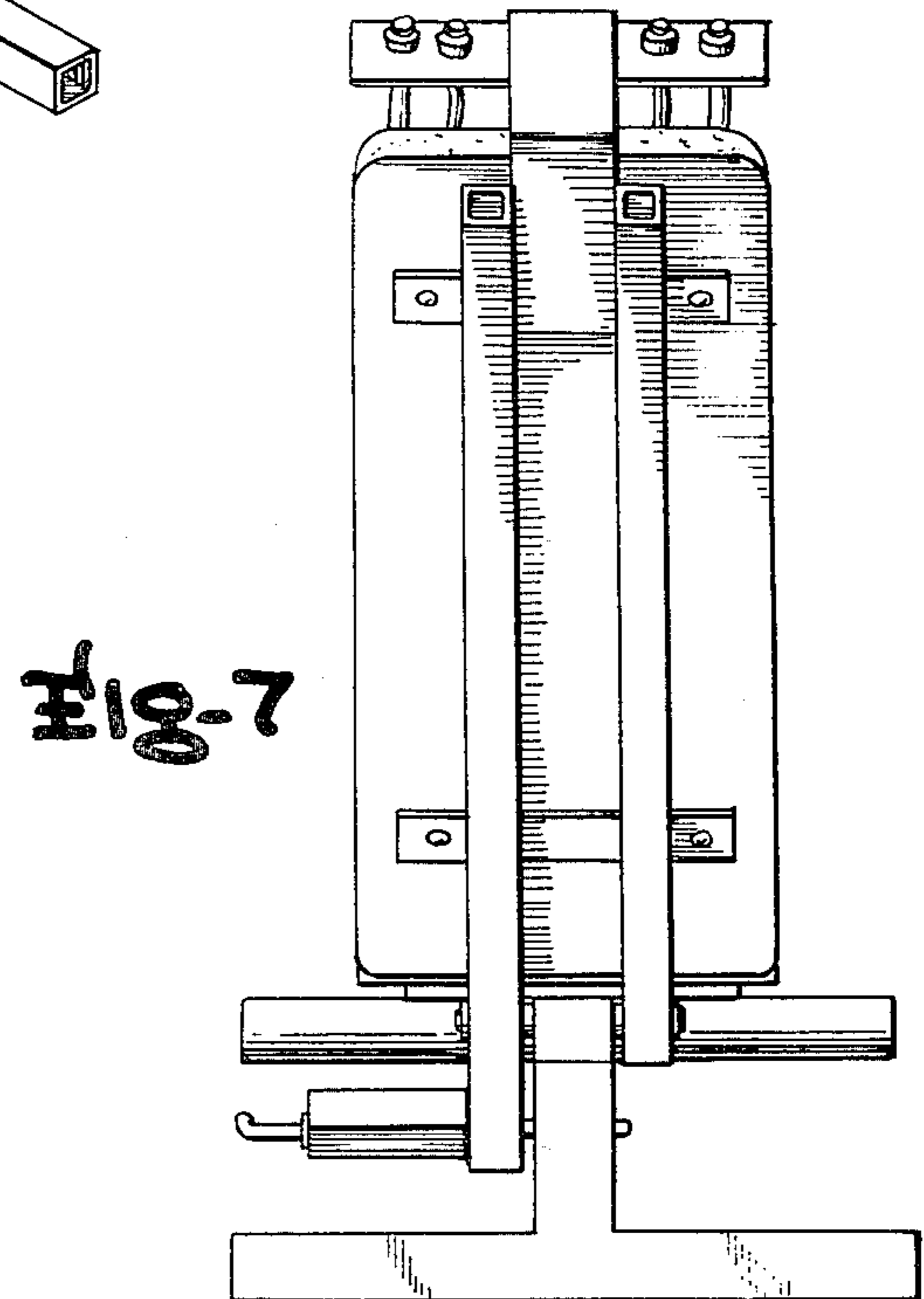


FIG-7

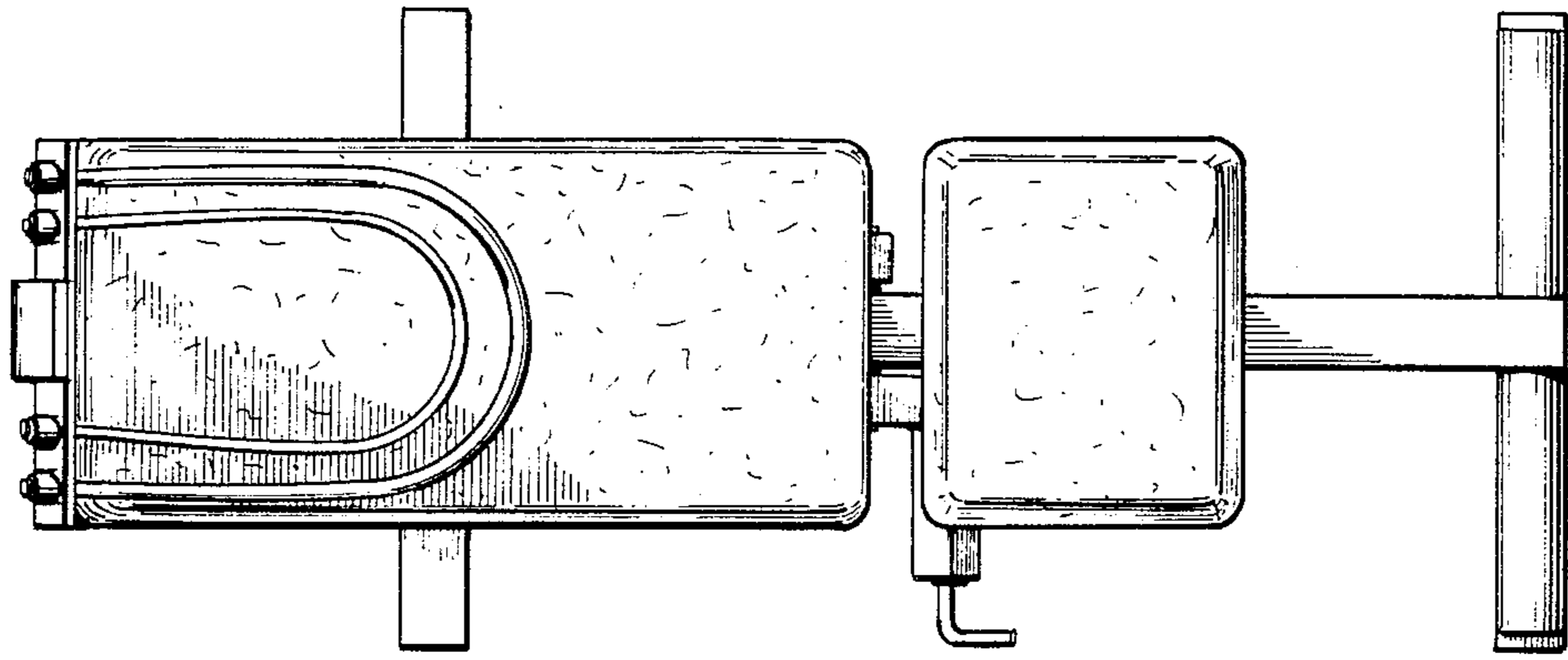


Fig-3

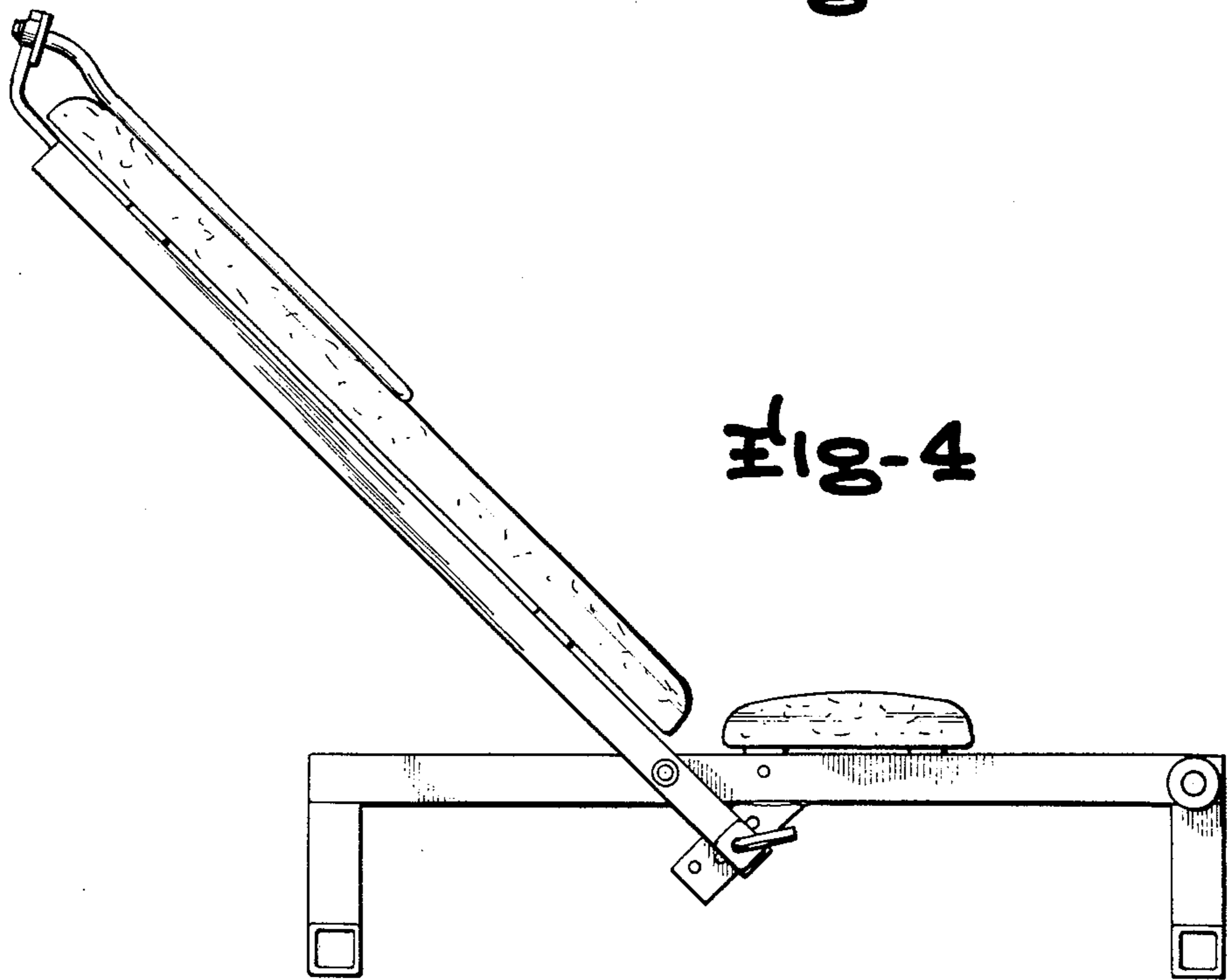


Fig-4

Fig-5

