

[54] EXERCISE FOR ATTACHMENT TO DOOR OR THE LIKE

[76] Inventor: Robert S. Hinds, 1803 Regent St., Madison, Wis. 53705

[**] Term: 14 Years

[21] Appl. No.: 292,205

[22] Filed: Aug. 12, 1981

[52] U.S. Cl. D21/191

[58] Field of Search 272/145, 900, 93; D21/191-197, 199

[56] References Cited

U.S. PATENT DOCUMENTS

2,938,695	5/1960	Ciampa	272/900
4,116,434	9/1978	Bernstein	272/900
4,185,816	1/1980	Bernstein	272/900

Primary Examiner—Charles A. Rademaker
Attorney, Agent, or Firm—Keith Schoff

[57] CLAIM

The ornamental design for an exerciser for attachment to door or the like, as shown and described.

DESCRIPTION

FIG. 1 is a perspective view of an exerciser for attachment to door or the like showing my new design; FIG. 2 is a bottom plan view thereof; FIG. 3 is a right side elevational view thereof, the side opposite being substantially a mirror image; FIG. 4 is a perspective view of a modified form of the design shown in FIGS. 1 through 3; FIG. 5 is a bottom plan view thereof; and FIG. 6 is a right side elevational view thereof, the side opposite being substantially a mirror image.

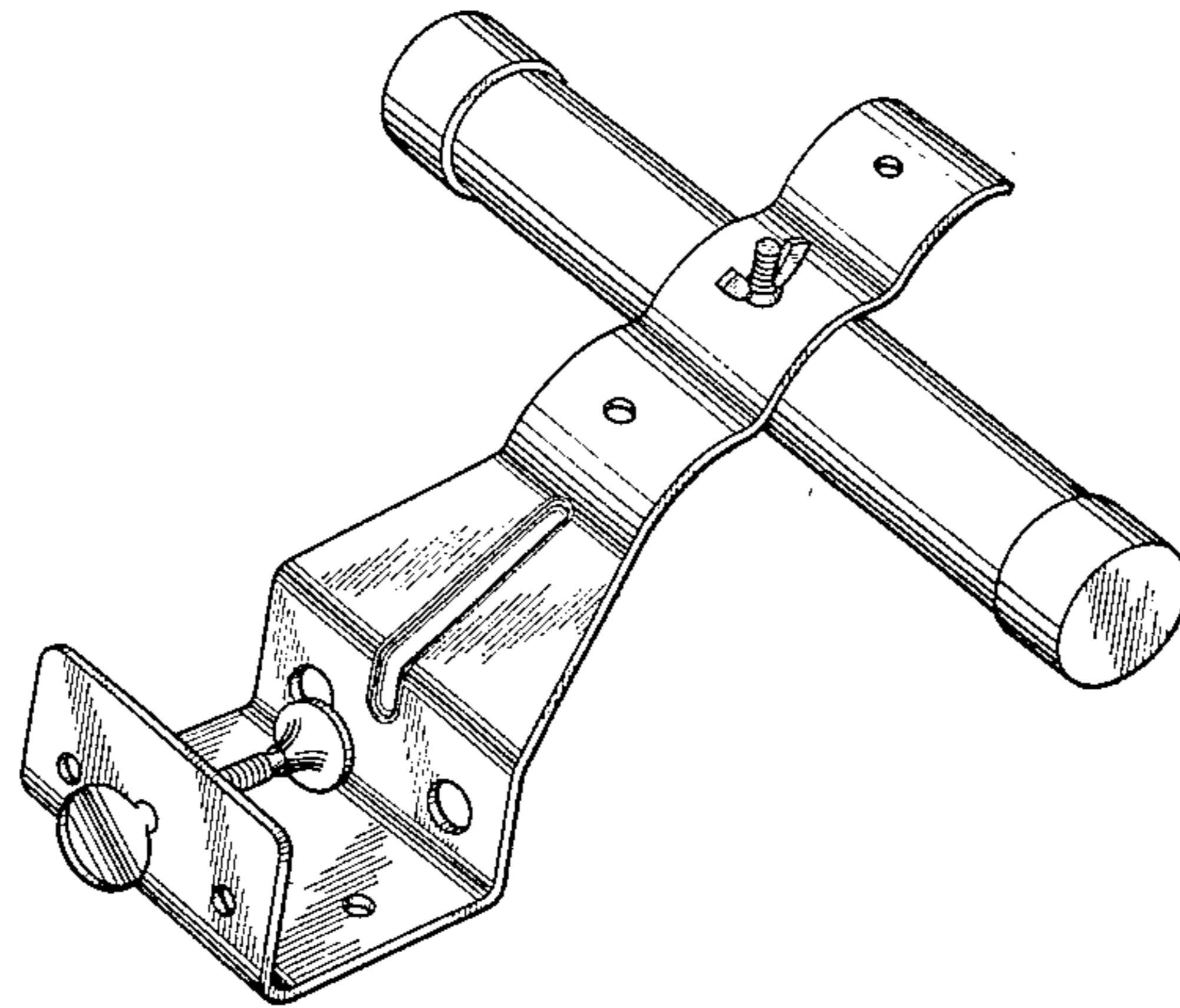


FIG. 1

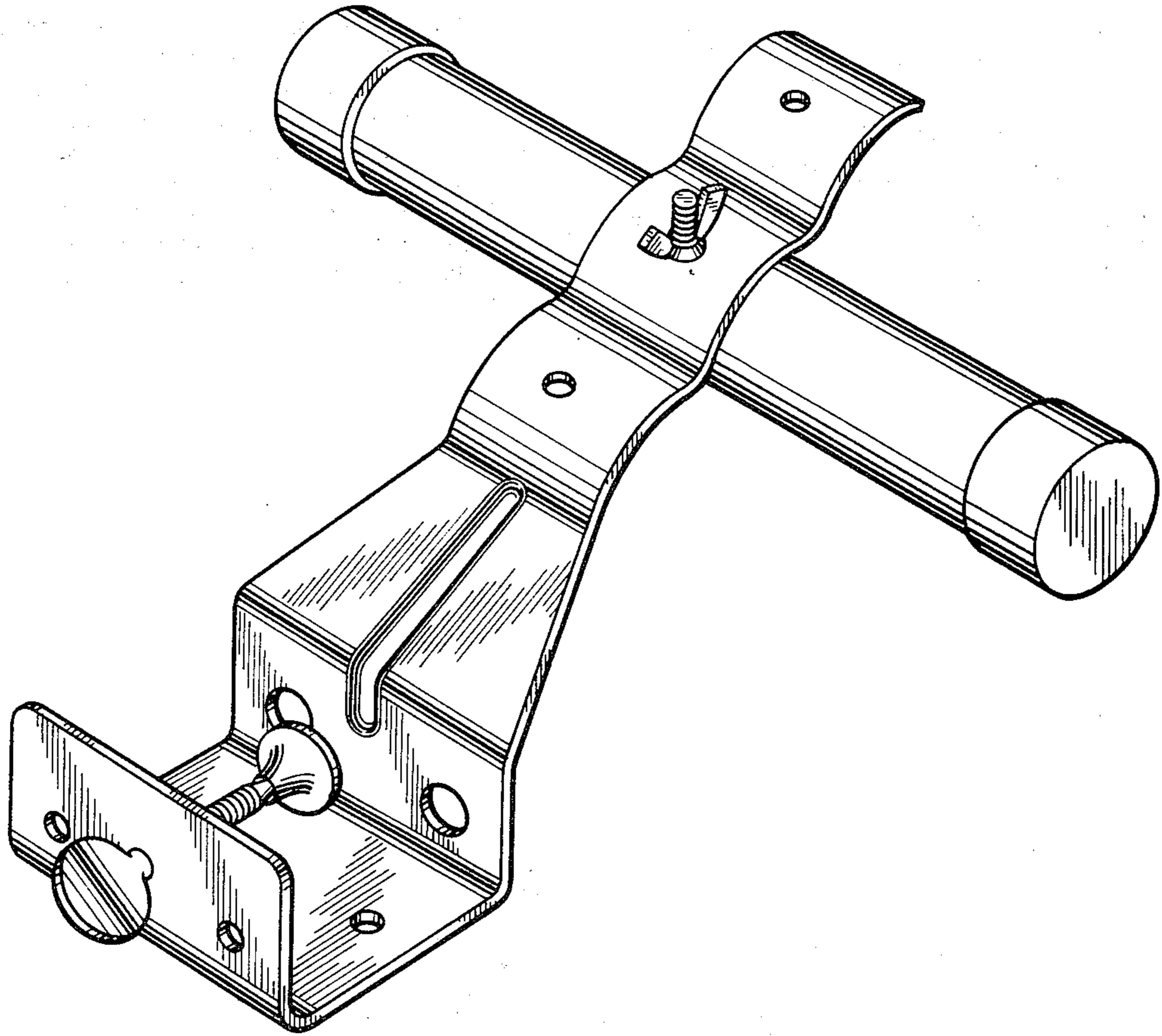


FIG. 2

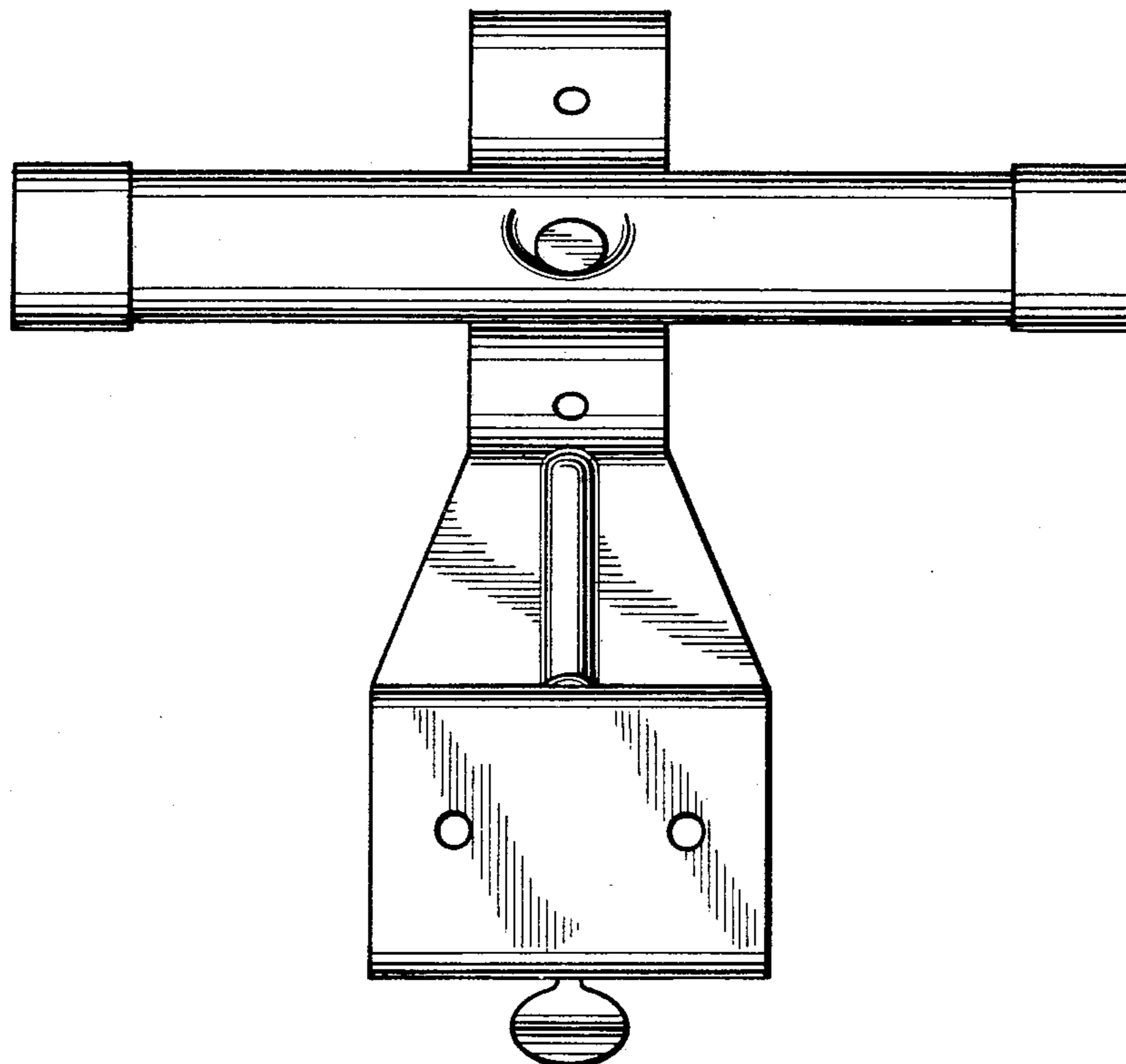


FIG. 3

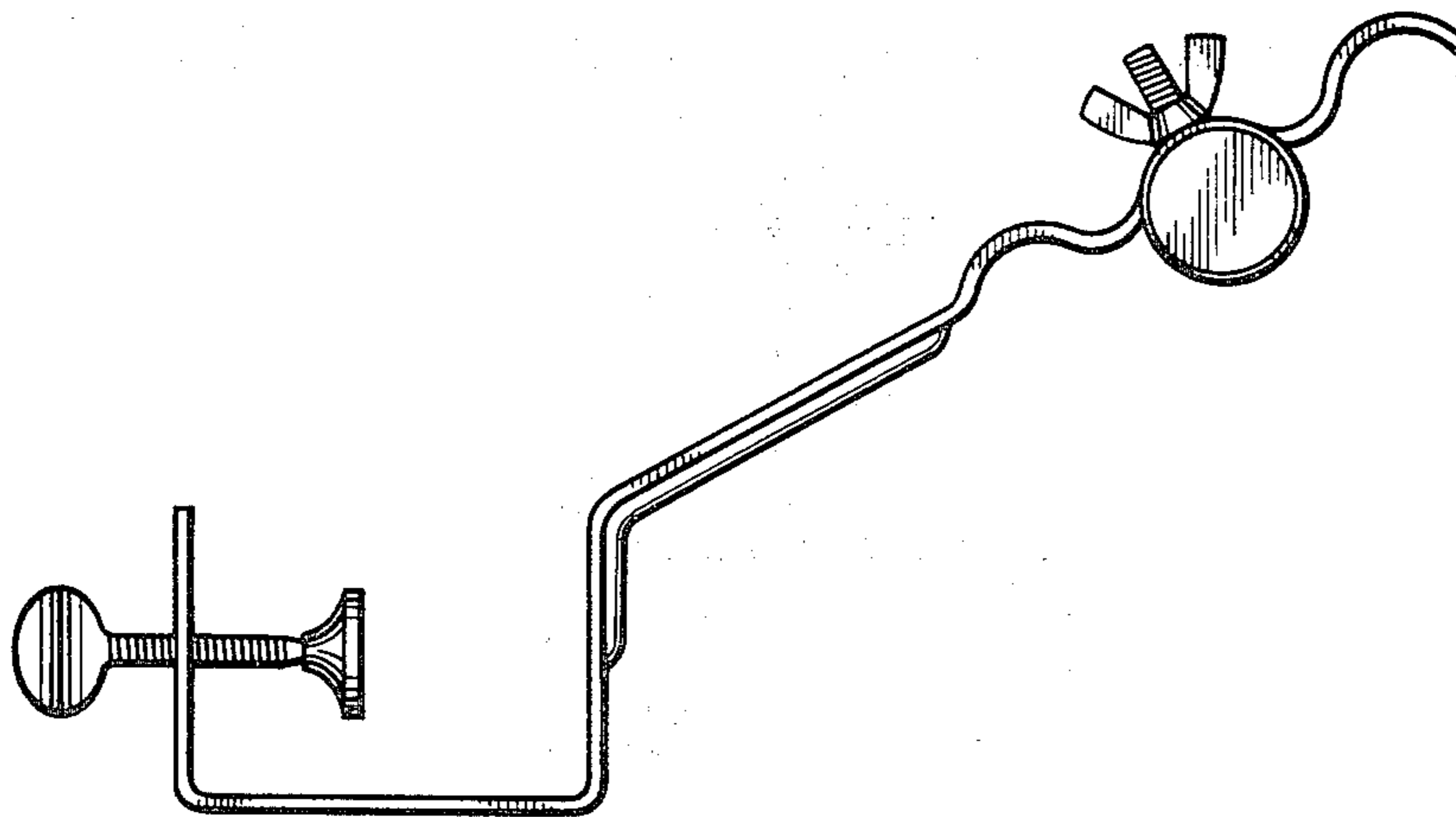


FIG. 4

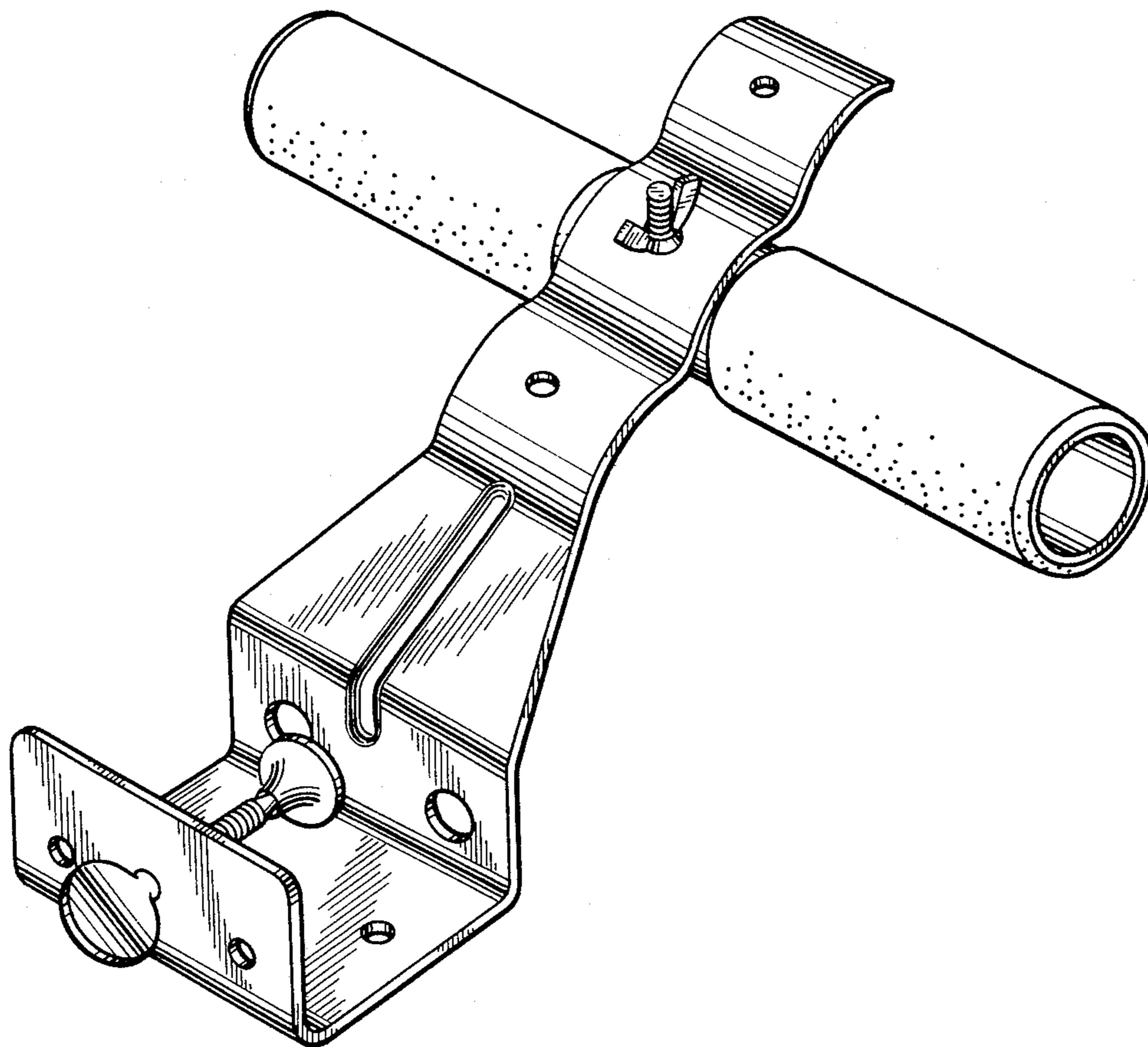


FIG. 5

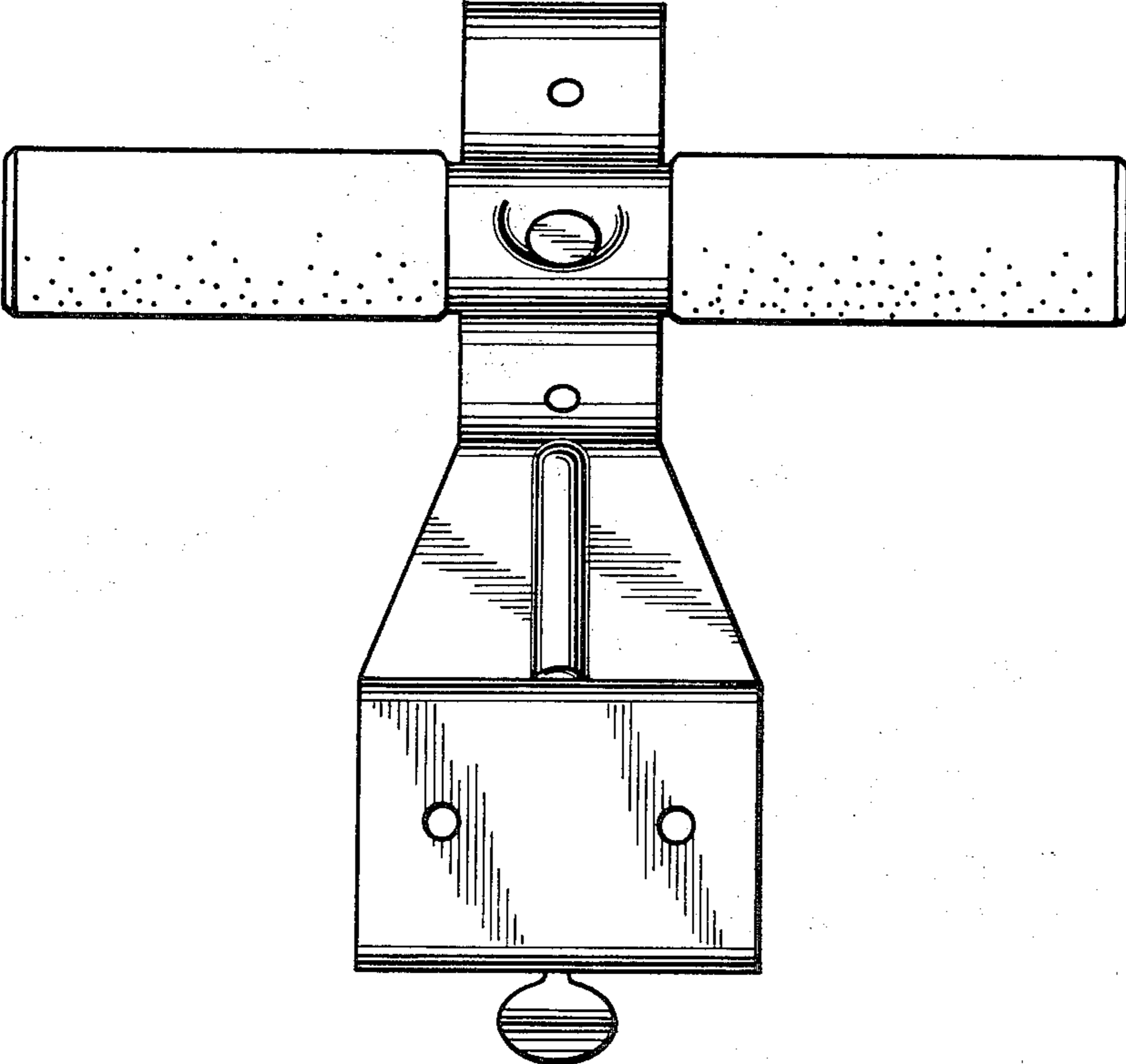


FIG. 6

