

[54] TOY SPACECRAFT

[75] Inventors: Joseph E. Johnston, San Rafael;  
William T. George, Kentfield, both of  
Calif.

[73] Assignee: Lucasfilm, Ltd., San Rafael, Calif.

[\*\*] Term: 14 Years

[21] Appl. No.: 440,923

[22] Filed: Nov. 12, 1982

[52] U.S. Cl. .... D21/87

[58] Field of Search ..... D21/82, 84, 85, 87,  
D21/88, 89, 90; 446/30, 31, 40, 41, 45, 61, 62,  
68, 65, 66, 67; D12/320

[56] References Cited

U.S. PATENT DOCUMENTS

D. 263,856 4/1982 Probert ..... D21/87  
D. 271,780 12/1983 Lucas et al. .... D21/87

Primary Examiner—Charles A. Rademaker  
Attorney, Agent, or Firm—Townsend and Townsend

[57] CLAIM

The ornamental design for the toy spacecraft, as shown.

DESCRIPTION

FIG. 1 is a side perspective view of a toy spacecraft showing my new design;

FIG. 2 is a top perspective view thereof;

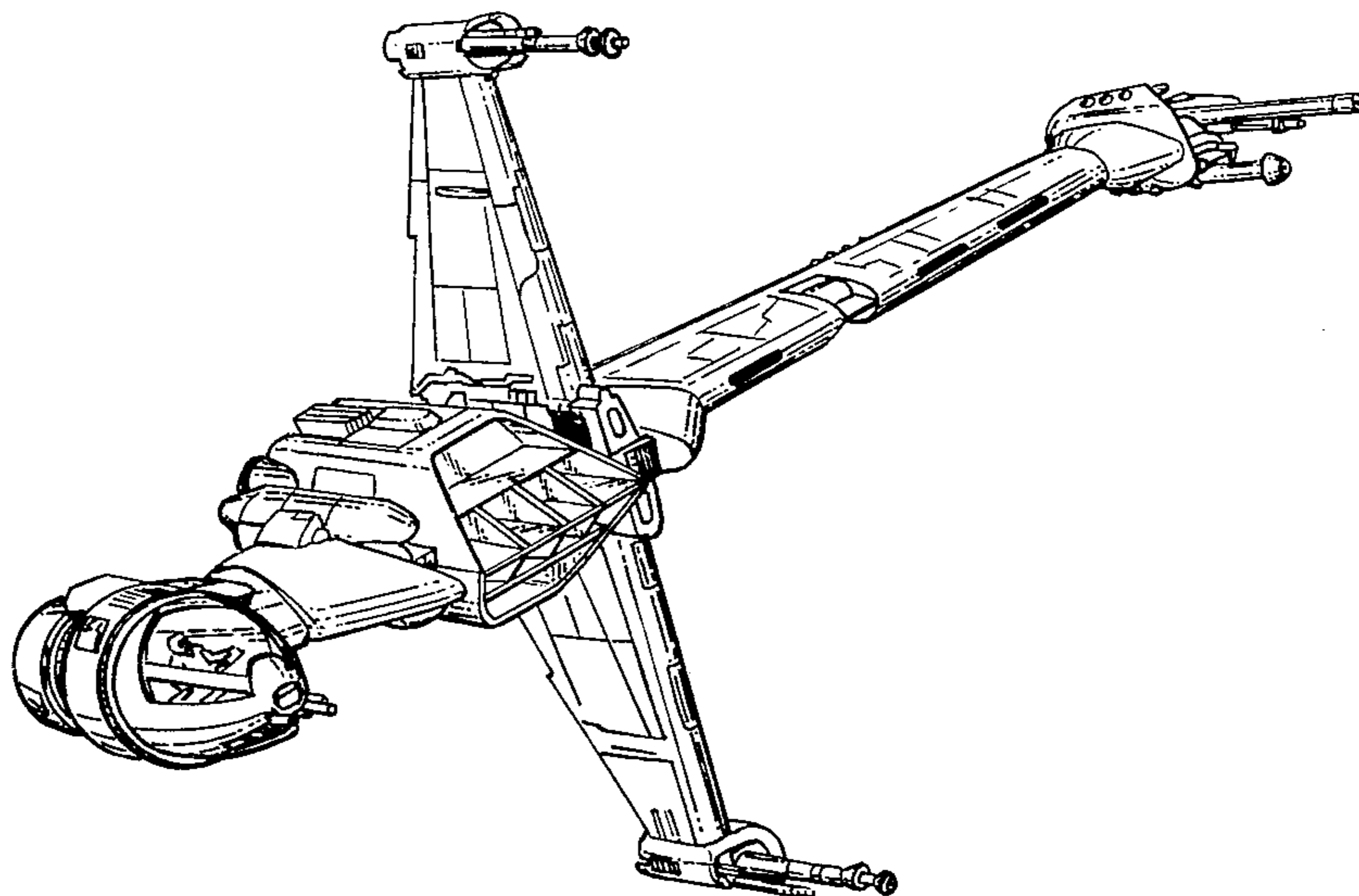
FIG. 3 is a front perspective view thereof;

FIG. 4 is a right side perspective view thereof;

FIG. 5 is a left side perspective view thereof;

FIG. 6 is a rear perspective view thereof; and,

FIG. 7 is a bottom perspective view thereof.



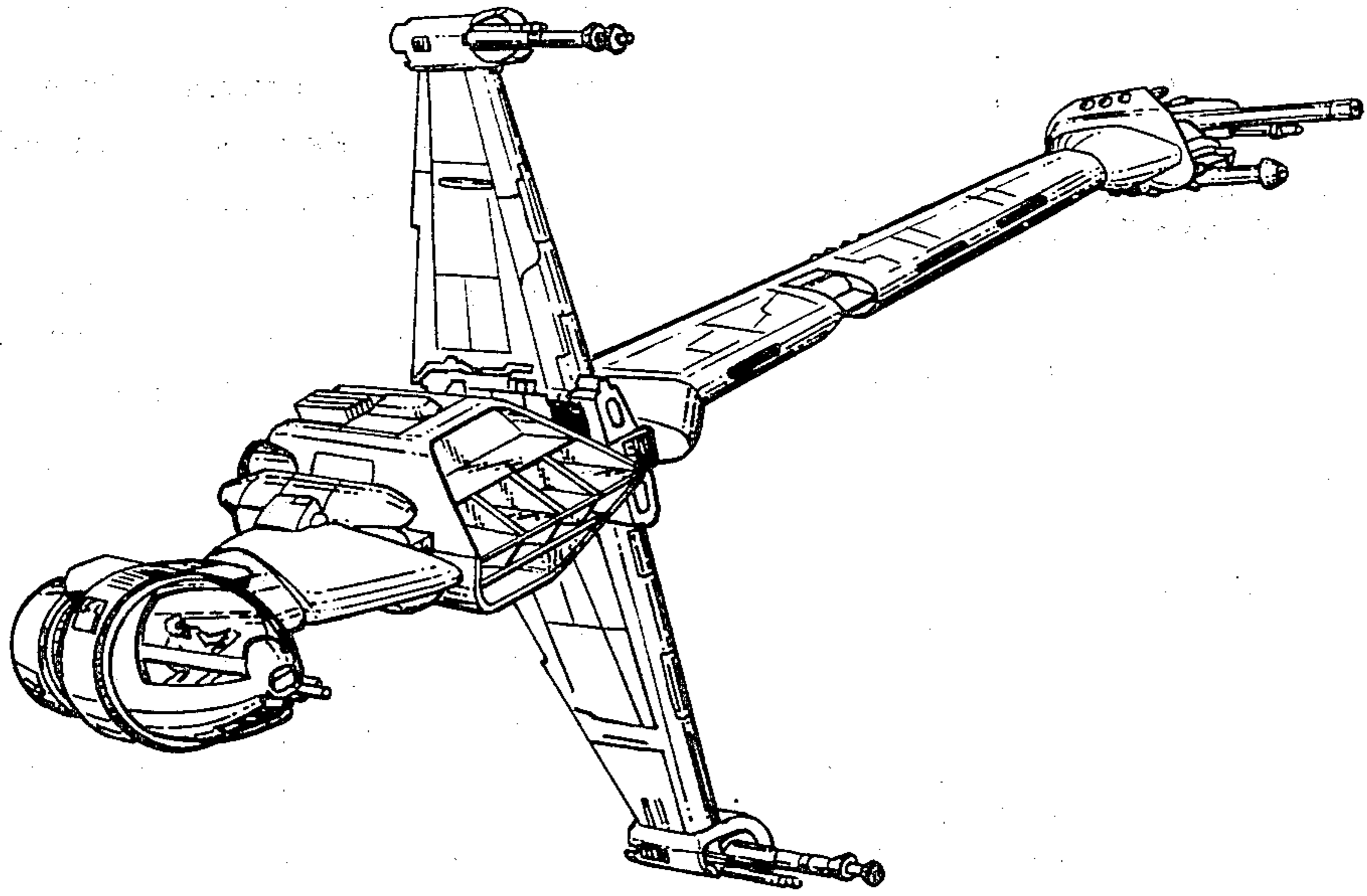


FIG. 1.

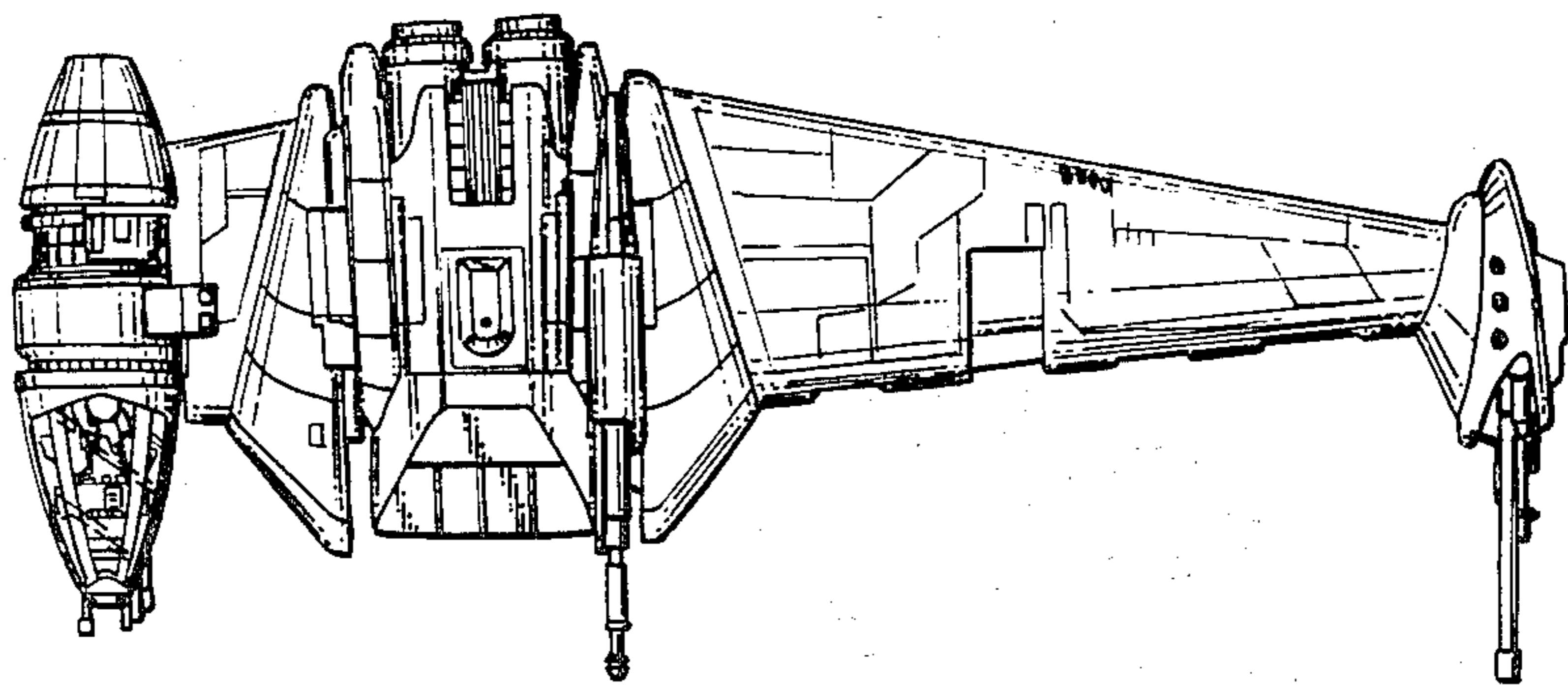


FIG. 2.

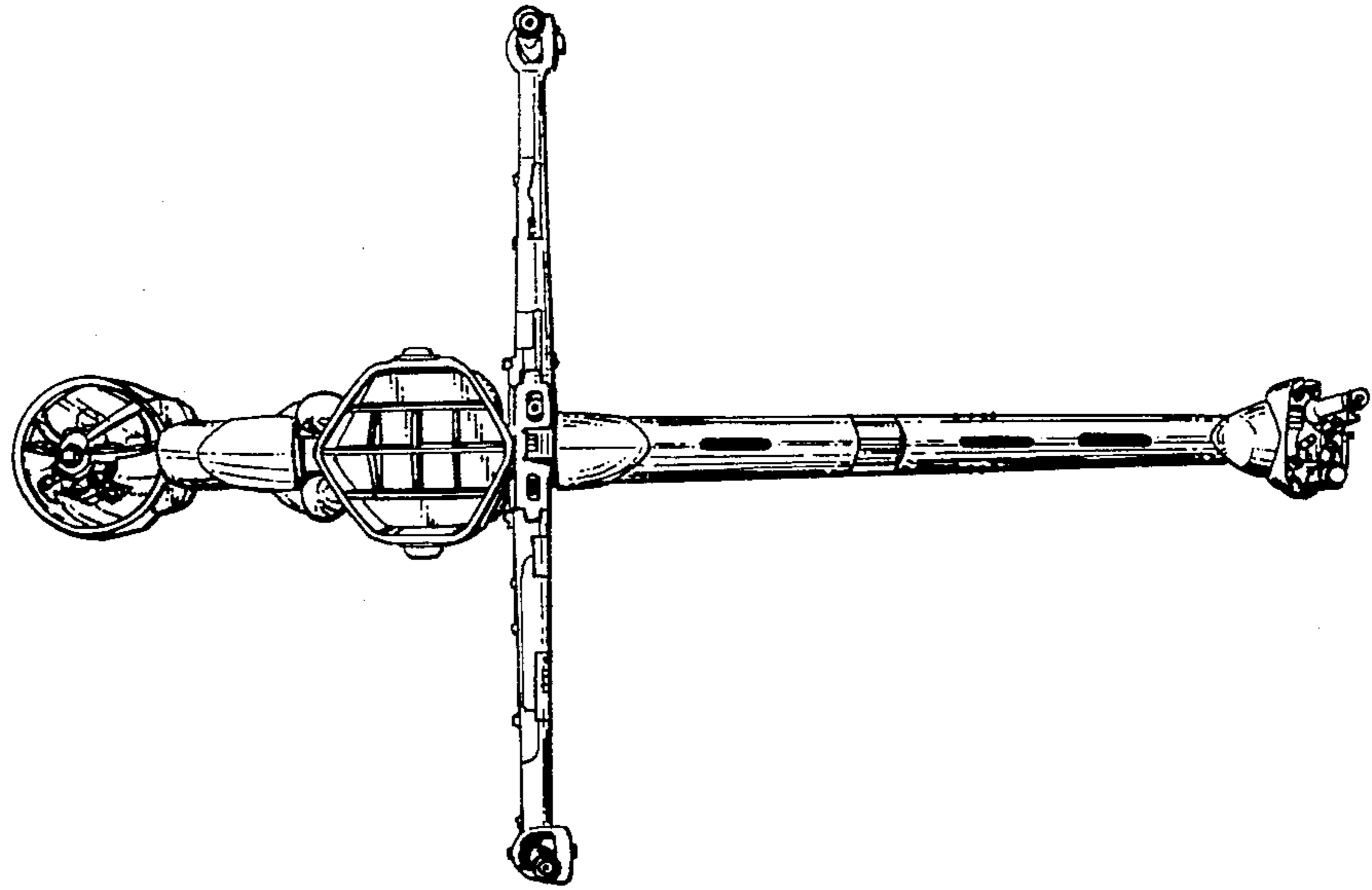


FIG. 3.

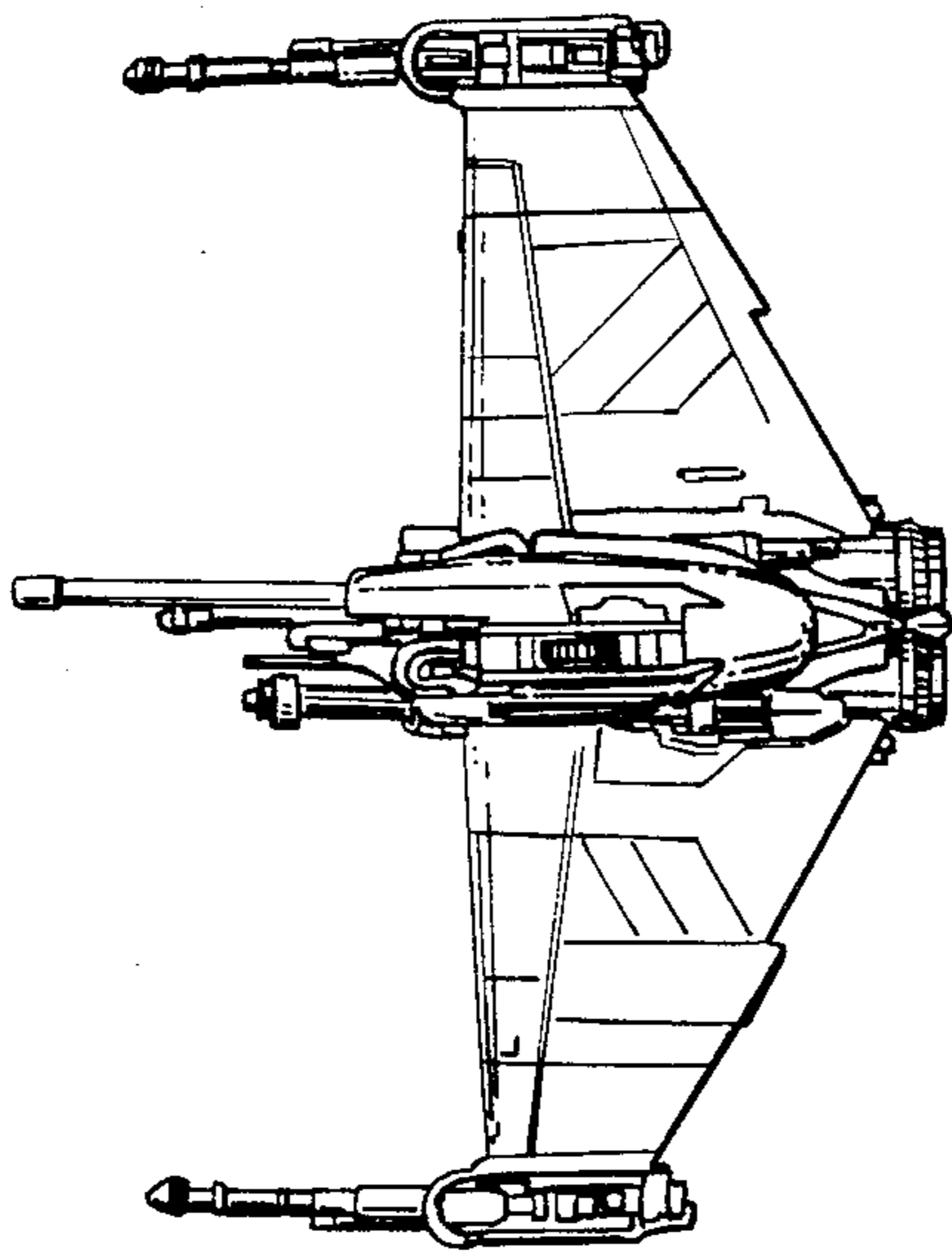


FIG. 4.

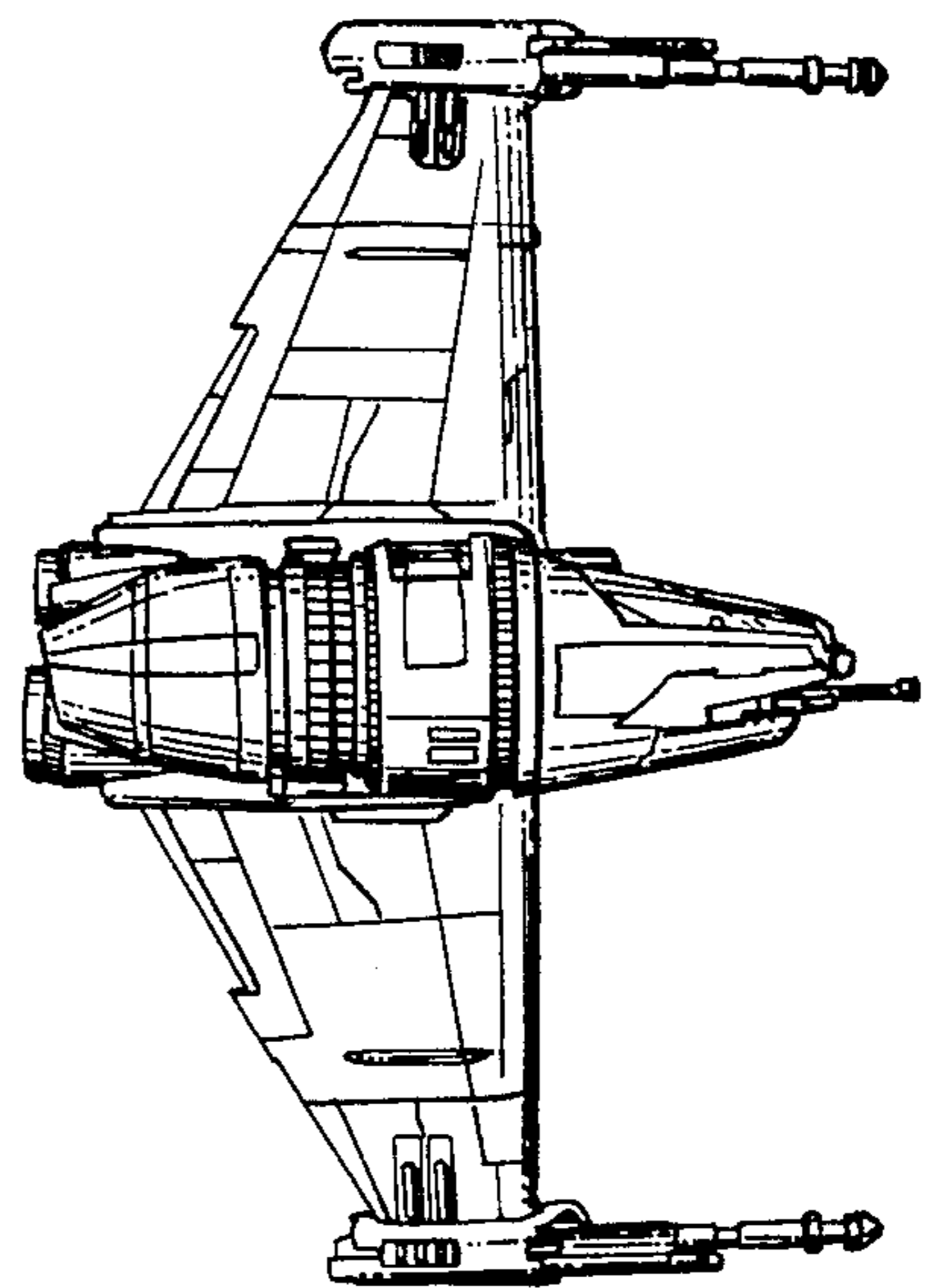


FIG. 5.

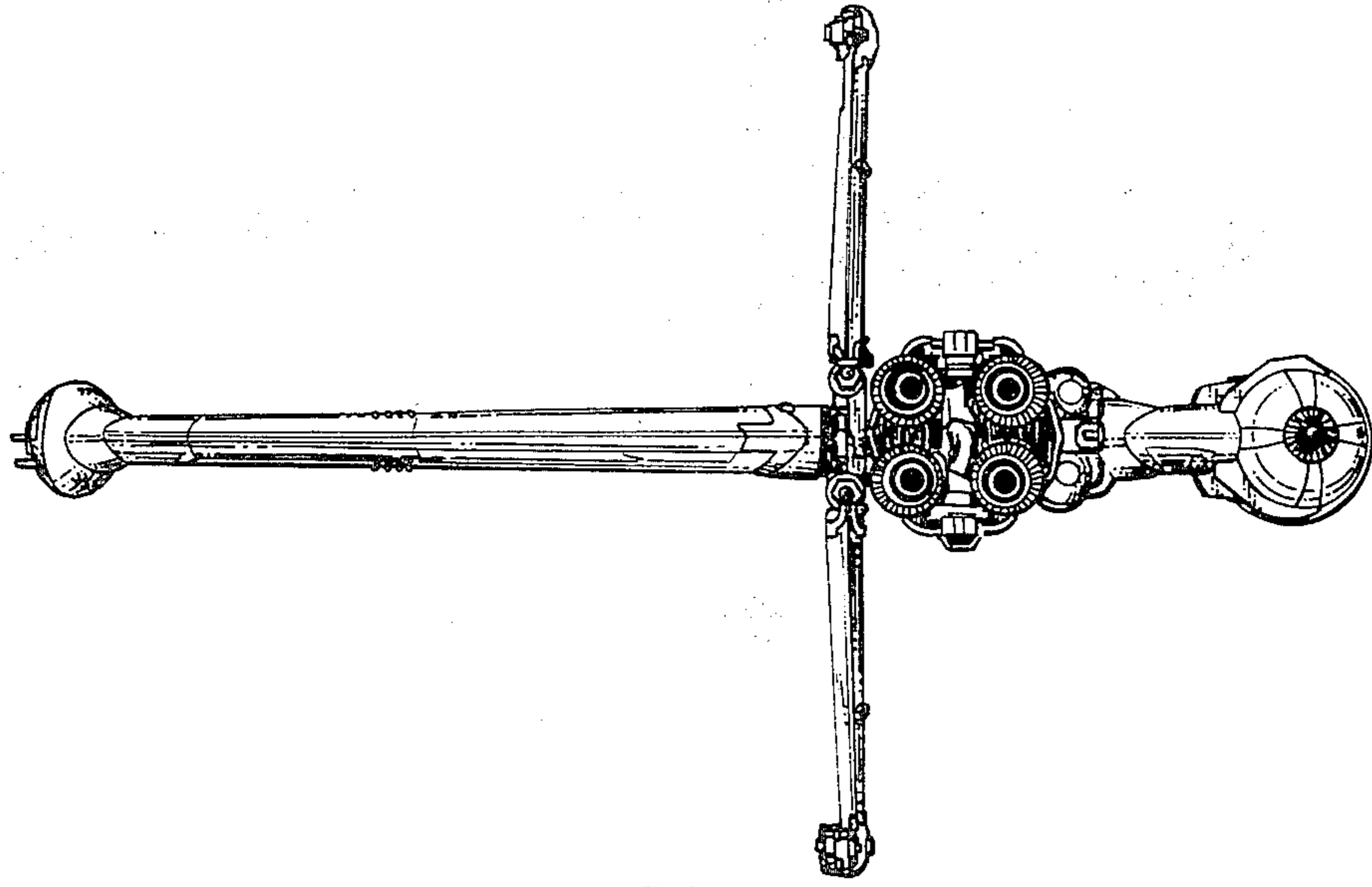


FIG. 6.

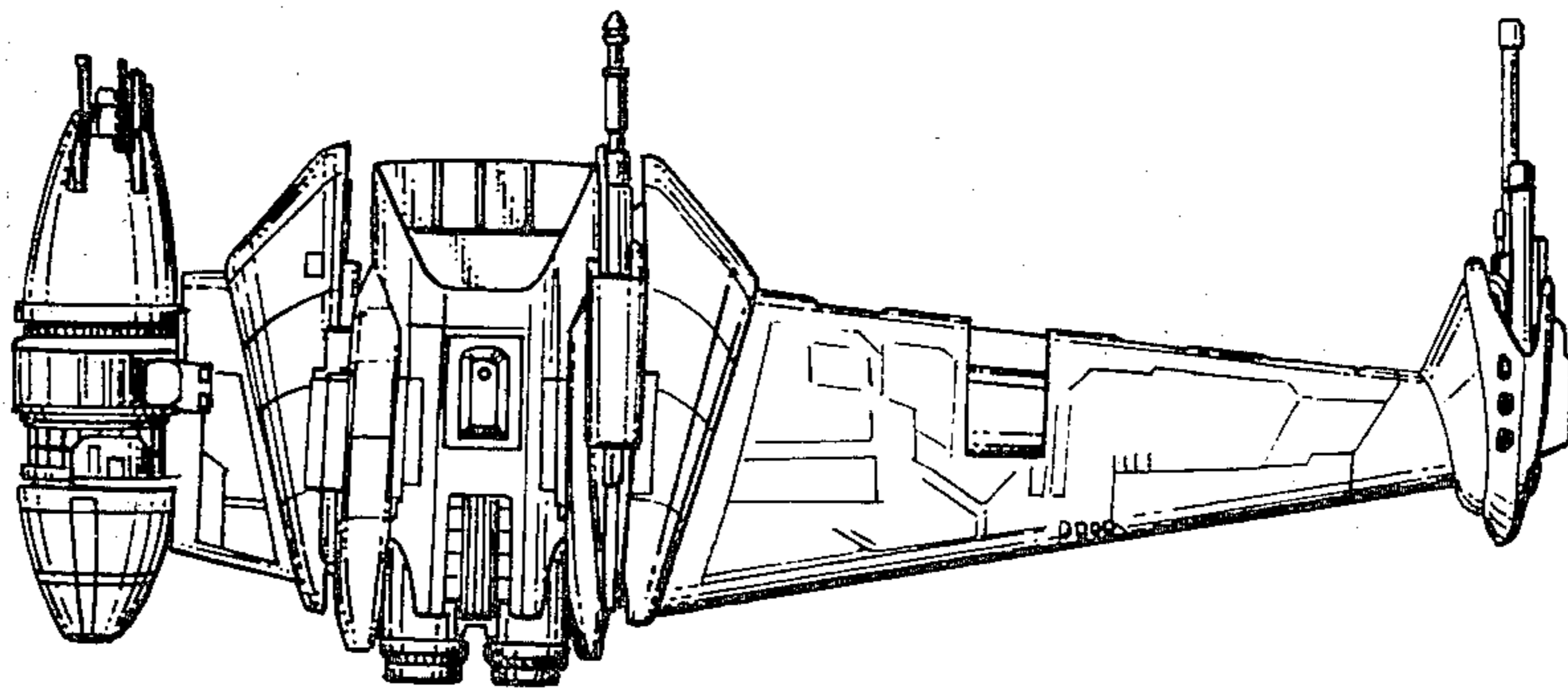


FIG. 7.