

[54] RIDING TOY

[75] Inventor: Douglas R. Miller, Hamburg, N.Y.

[73] Assignee: The Quaker Oats Company, Chicago, Ill.

[**] Term: 14 Years

[21] Appl. No.: 461,607

[22] Filed: Jan. 27, 1983

[52] U.S. Cl. D21/78

[58] Field of Search D21/76, 78, 79, 80, D21/128, 132, 134, 135, 136, 137; 280/1.1 R, 1.11 R, 1.192, 1.204, 87.01, 87.02 R

[56] References Cited

U.S. PATENT DOCUMENTS

D. 191,794 11/1961 Balthazor D21/78

D. 202,435 9/1965 Stoneburner D21/78
D. 234,027 12/1974 Krumholz D21/78
2,919,139 12/1959 Rupp 280/1.11 R
3,048,417 8/1962 Breen D21/78

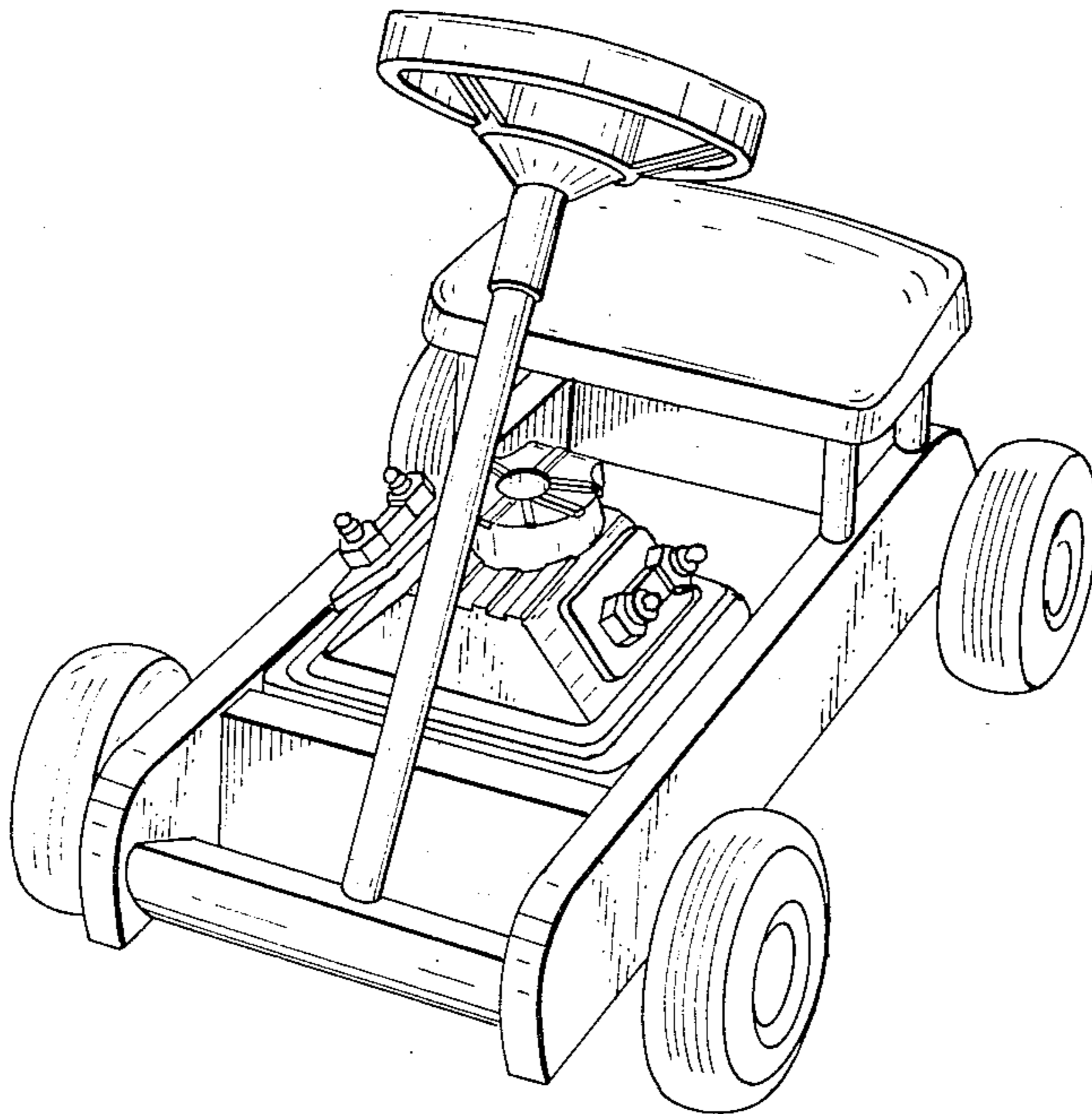
Primary Examiner—Charles A. Rademaker
Attorney, Agent, or Firm—Cumpston & Shaw

[57] CLAIM

The ornamental design for a riding toy, substantially as shown and described.

DESCRIPTION

FIG. 1 is a left-front perspective view of a riding toy showing my new design;
FIG. 2 is a right-side elevational view thereof, the left side being substantially a mirror image;
FIG. 3 is a rear elevational view thereof; and
FIG. 4 is a bottom plan view thereof.



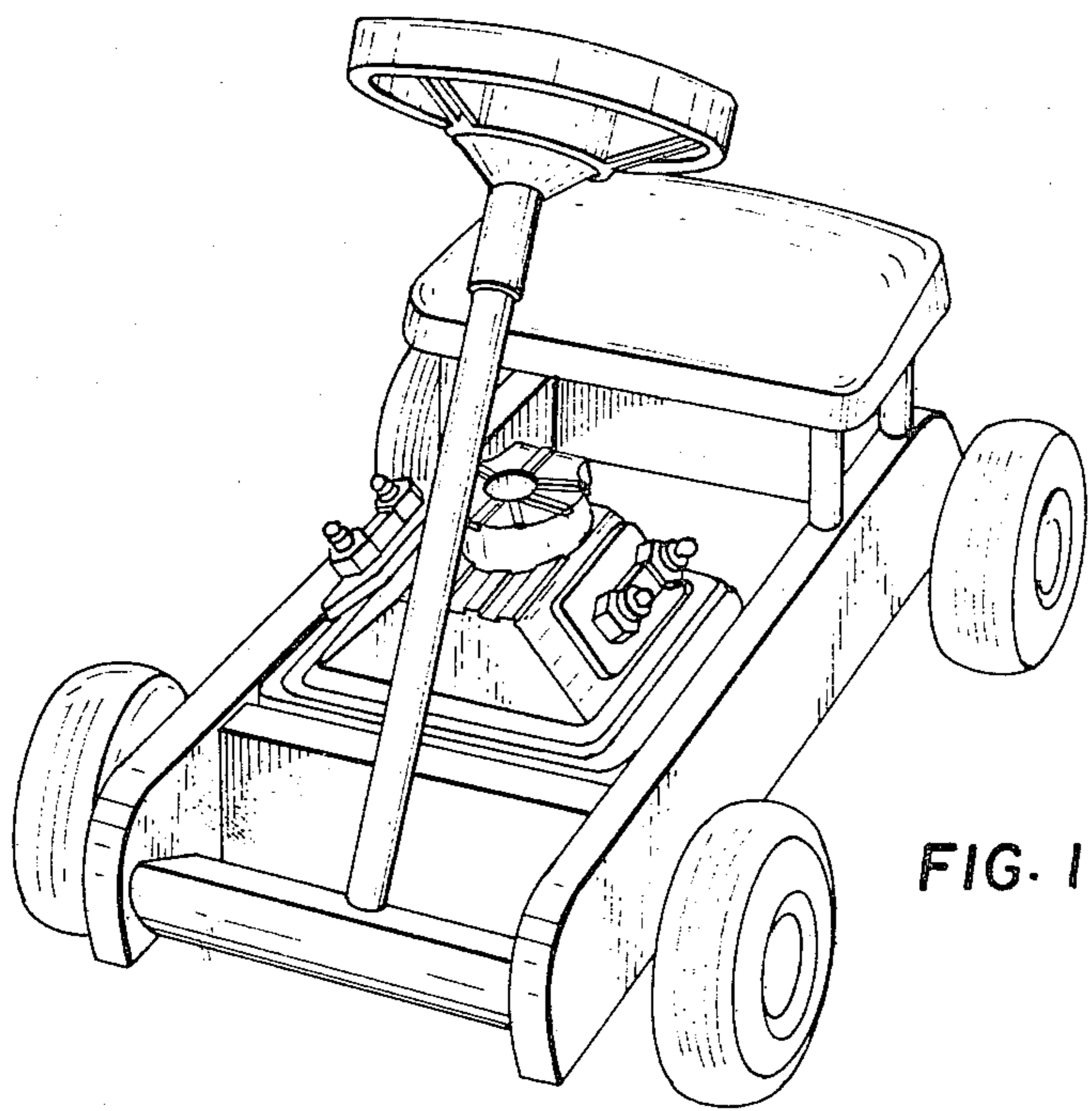


FIG. 1

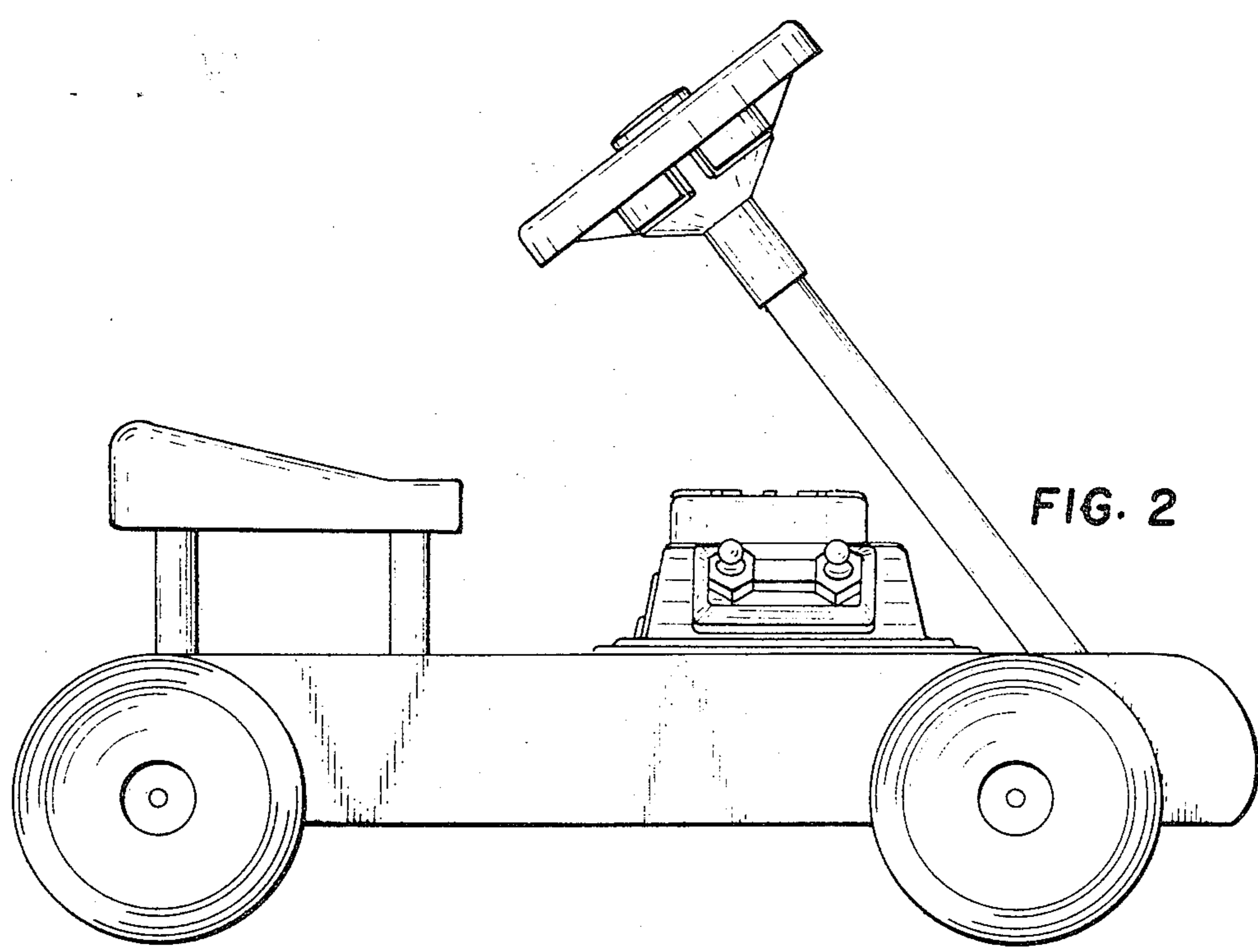


FIG. 2

