

[54] RIBBON CARTRIDGE FOR TYPEWRITER

[75] Inventor: Tetsuma Asahi, Kodaira, Japan

[73] Assignee: Silver Seiko Limited, Japan

[\*\*] Term: 14 Years

[21] Appl. No.: 448,194

[22] Filed: Dec. 9, 1982

[30] Foreign Application Priority Data

Jun. 30, 1982 [JP] Japan ..... 57-29501

[52] U.S. Cl. .... D18/12

[58] Field of Search ..... D18/12, 13, 22, 99;  
D14/11; 400/196, 196.1, 207, 208, 208.1

[56] References Cited

U.S. PATENT DOCUMENTS

D. 237,010 9/1975 Gnutzman et al. .... D18/12

D. 239,568 4/1976 Sottsass, Jr. .... D18/12  
D. 245,726 9/1977 Sottsass ..... D18/12  
D. 255,567 6/1980 Beitler ..... D14/11

Primary Examiner—Louis S. Zarfes  
Attorney, Agent, or Firm—McGlew and Tuttle

[57] CLAIM

The ornamental design for ribbon cartridge for typewriter, substantially as shown and described.

DESCRIPTION

FIG. 1 is a perspective view of ribbon cartridge for typewriter showing my new design;  
FIG. 2 is a left side elevation of the same;  
FIG. 3 is a right side elevation of the same;  
FIG. 4 is a rear side elevation of the same;  
FIG. 5 is a front side elevation of the same;  
FIG. 6 is a top plan view of the same; and  
FIG. 7 is a bottom plan view of the same.

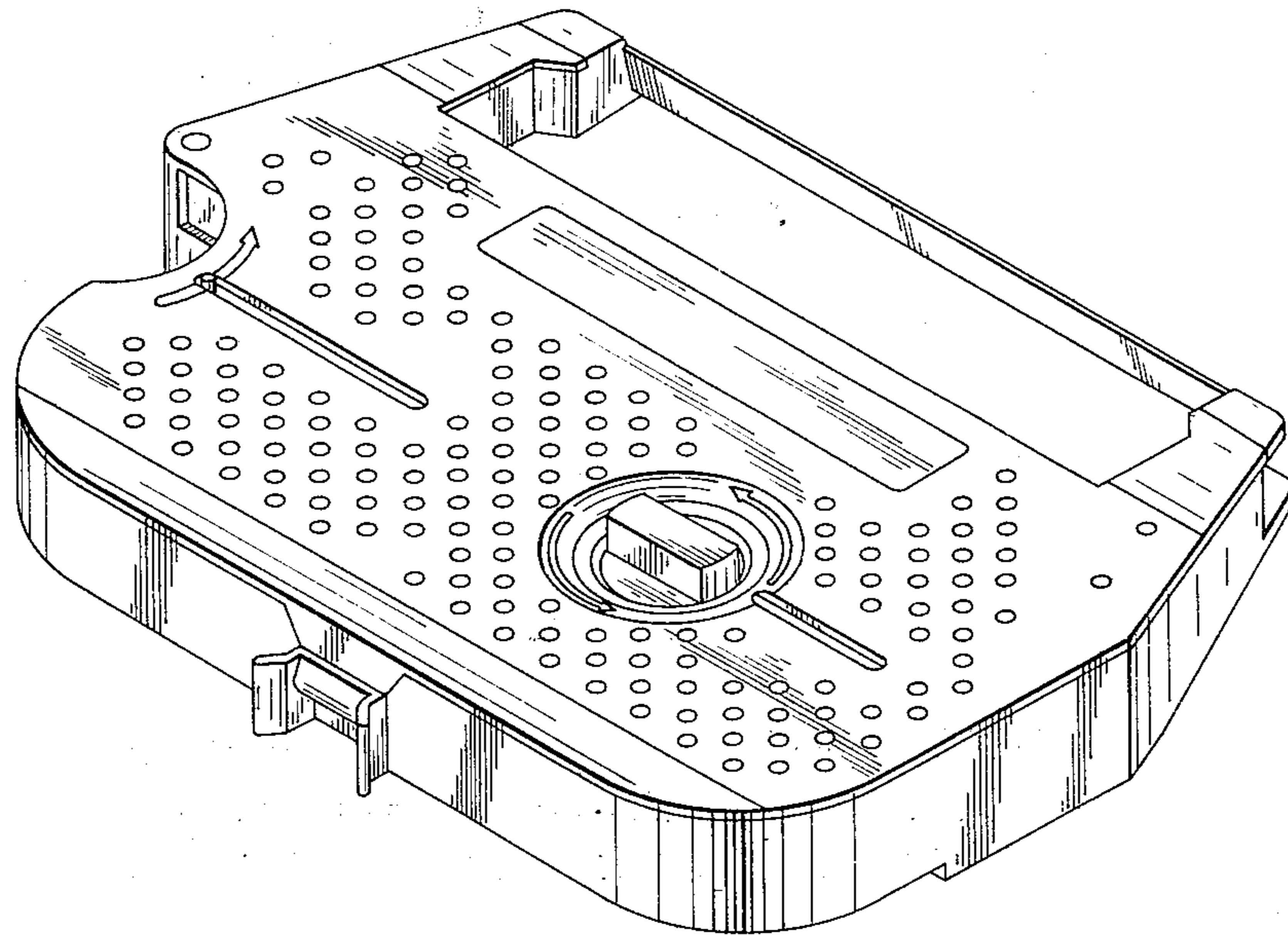


FIG. 1

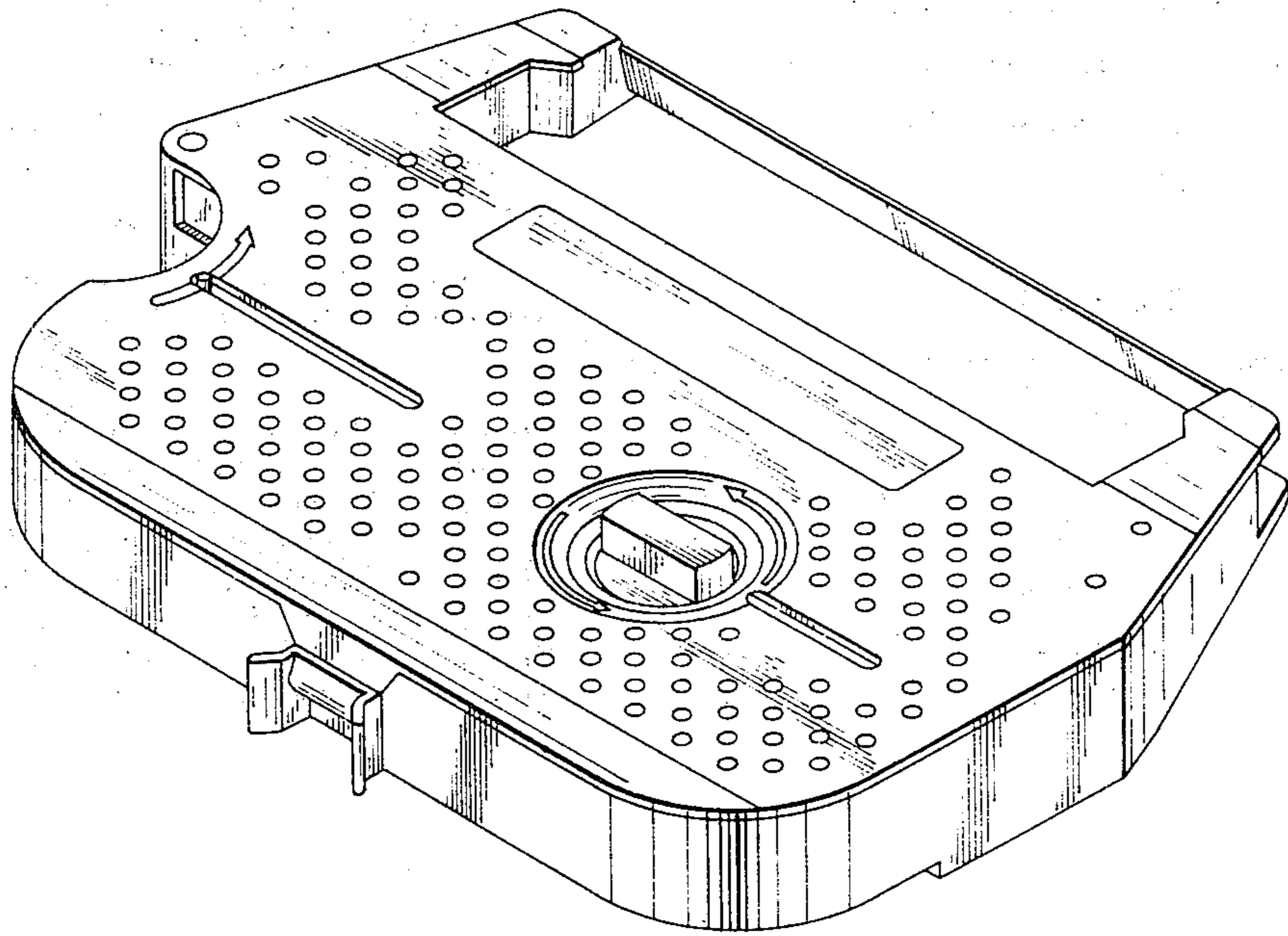


FIG. 2

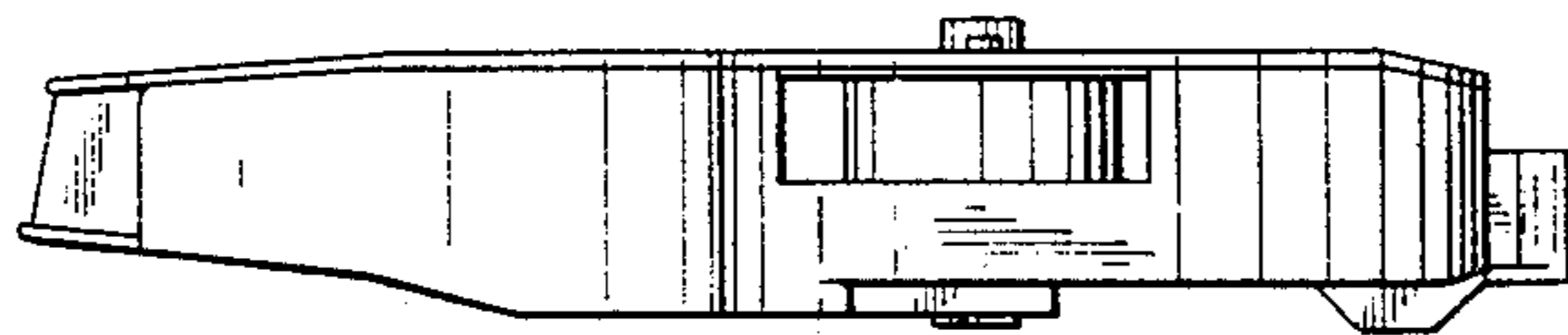


FIG. 3

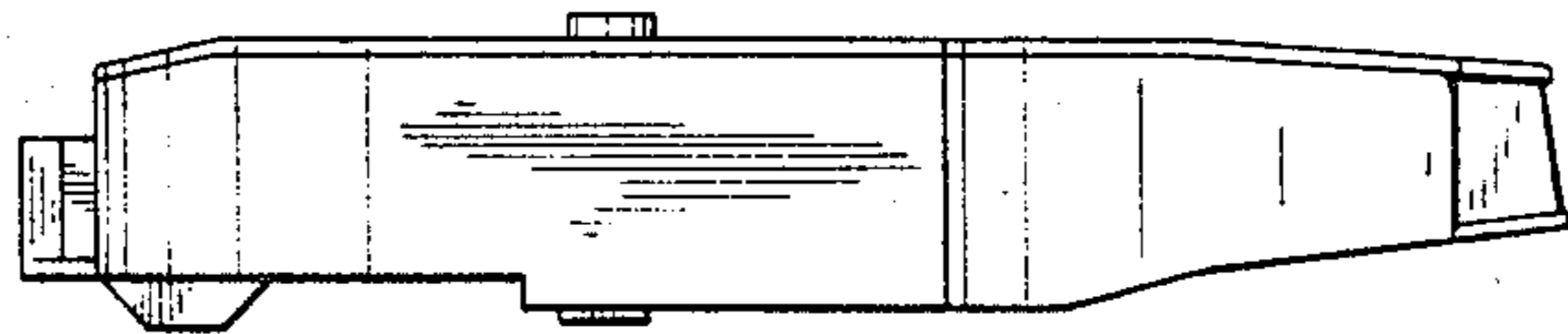


FIG. 4

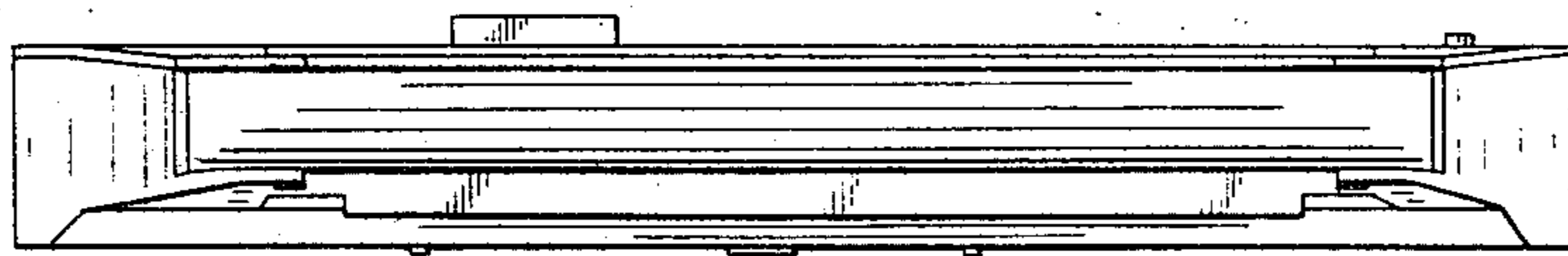


FIG. 5

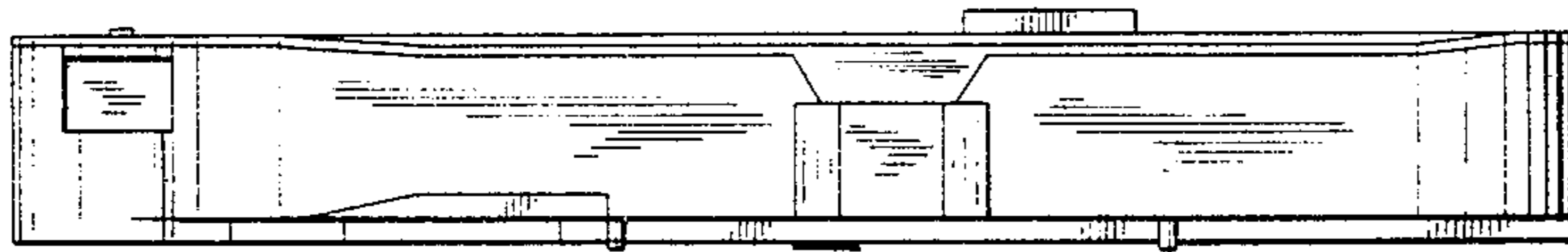


FIG. 6

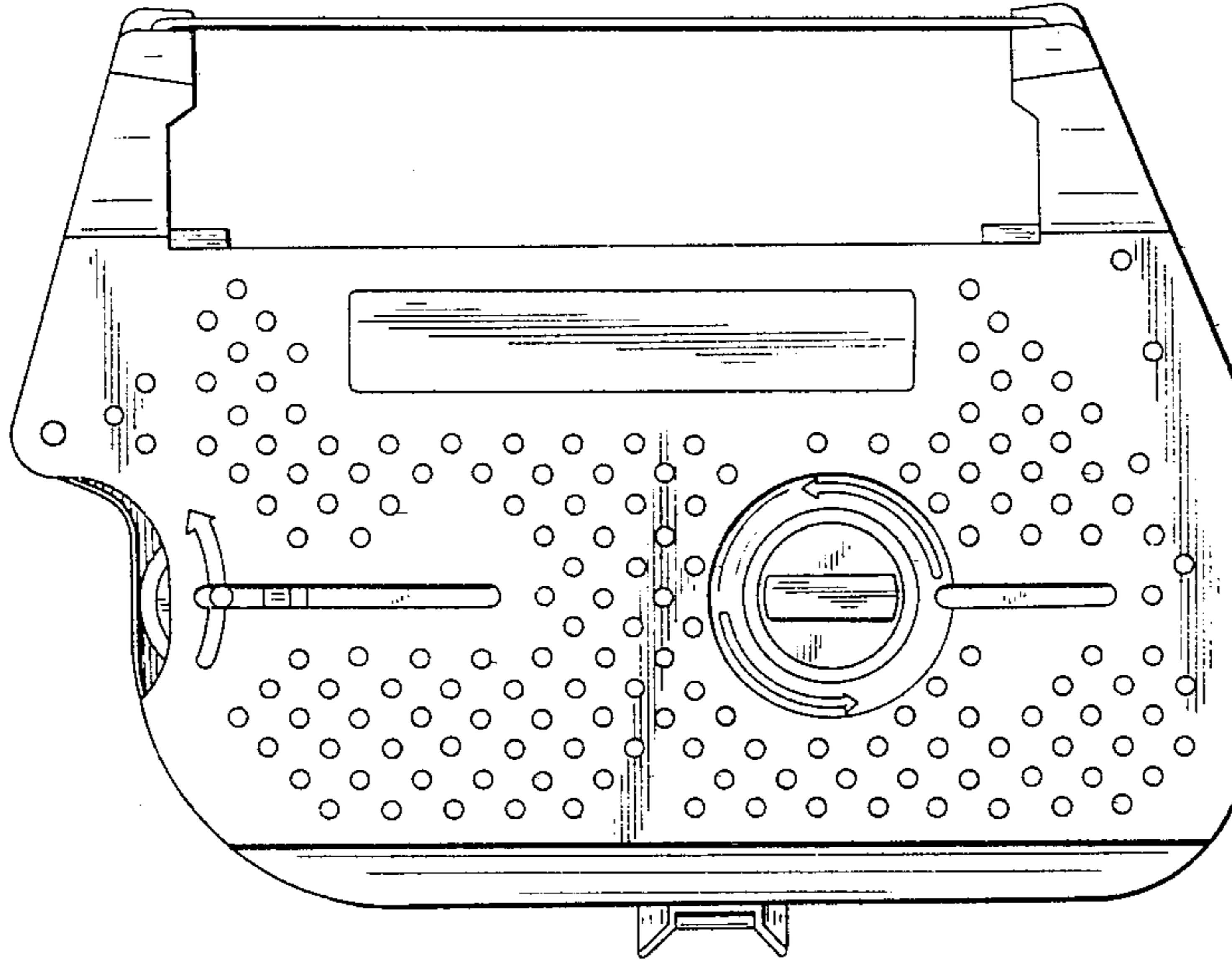


FIG. 7

