

Fig. 2

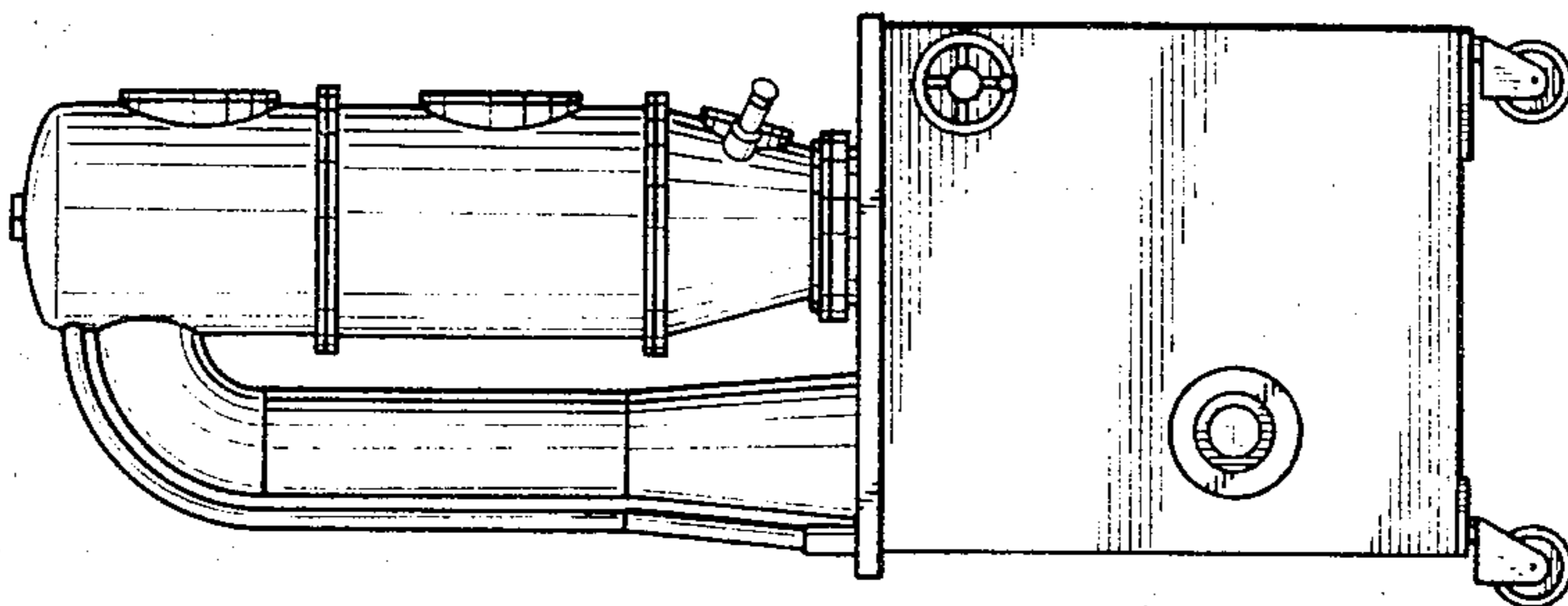
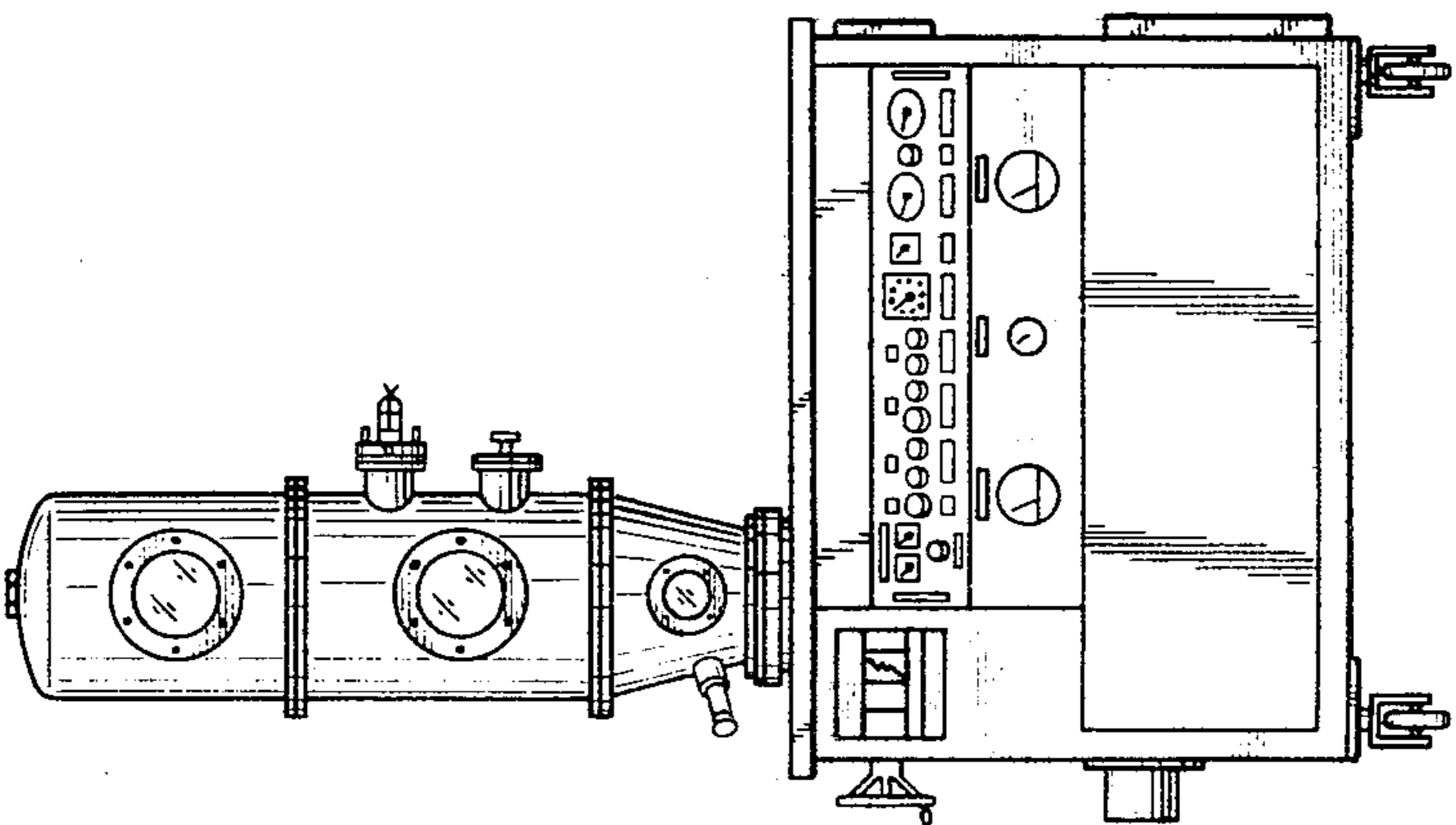


Fig. 1



[54] COMBINED GRANULATOR, DRYER AND COATER

[75] Inventor: Reinhard Nowak, Binzen, Fed. Rep. of Germany

[73] Assignee: Glatt GmbH, Binzen Kr. Lörrach, Fed. Rep. of Germany

[**] Term: 14 Years

[21] Appl. No.: 358,624

[22] Filed: Mar. 16, 1982

[30] Foreign Application Priority Data

Sep. 22, 1981 [DE] Fed. Rep. of Germany MR IV/2474

[52] U.S. Cl. D15/144; D15/199

[58] Field of Search D15/122, 123, 144, 199; 422/245, 291

[56] References Cited

U.S. PATENT DOCUMENTS

2,851,341	9/1958	Weiss	422/245
2,927,008	3/1960	Shockly	422/245
2,972,524	2/1961	Ross	422/245
4,332,736	6/1982	Kimberling	422/245

Primary Examiner—B. J. Bullock
Attorney, Agent, or Firm—Peter K. Kontler

[57] CLAIM

The ornamental design of a combined granulator, dryer and coater, substantially as shown.

DESCRIPTION

FIG. 1 is a front elevational view of a combined granulator, dryer and coater showing my new design; FIG. 2 is a side elevational view taken from the left of FIG. 1; FIG. 3 is a rear elevational view thereof; FIG. 4 is a side elevational view taken from the right of FIG. 1, shown partially broken away for clarity of illustration; FIG. 5 is a top plan view thereof; FIG. 6 is a bottom plan view thereof.

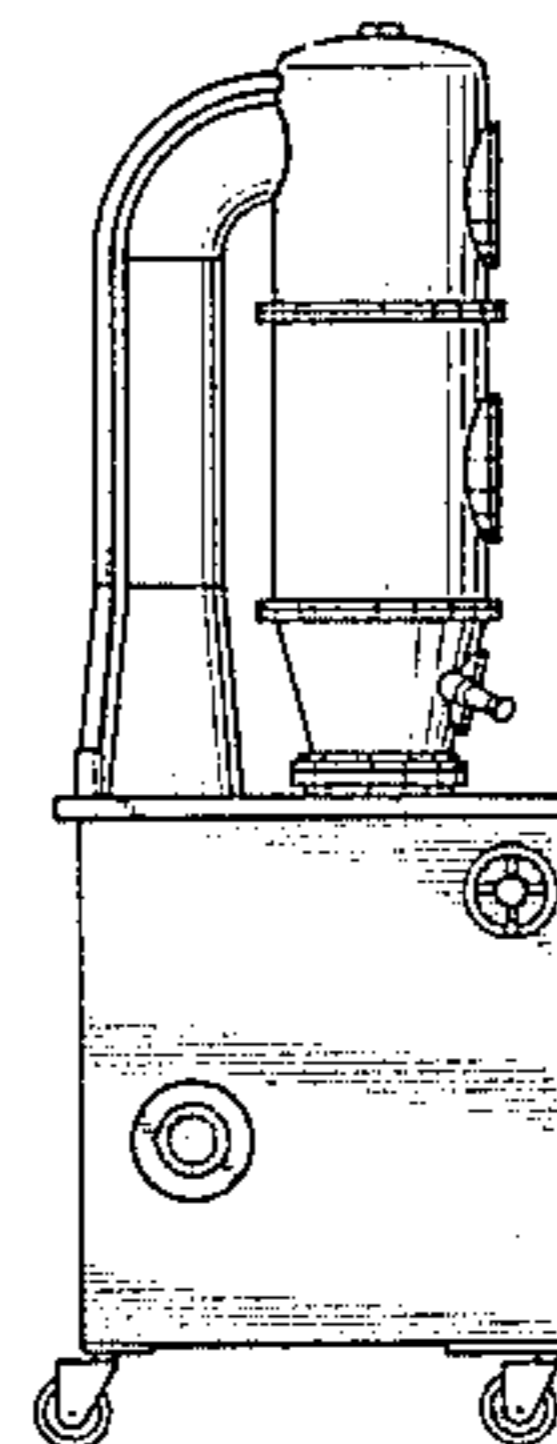
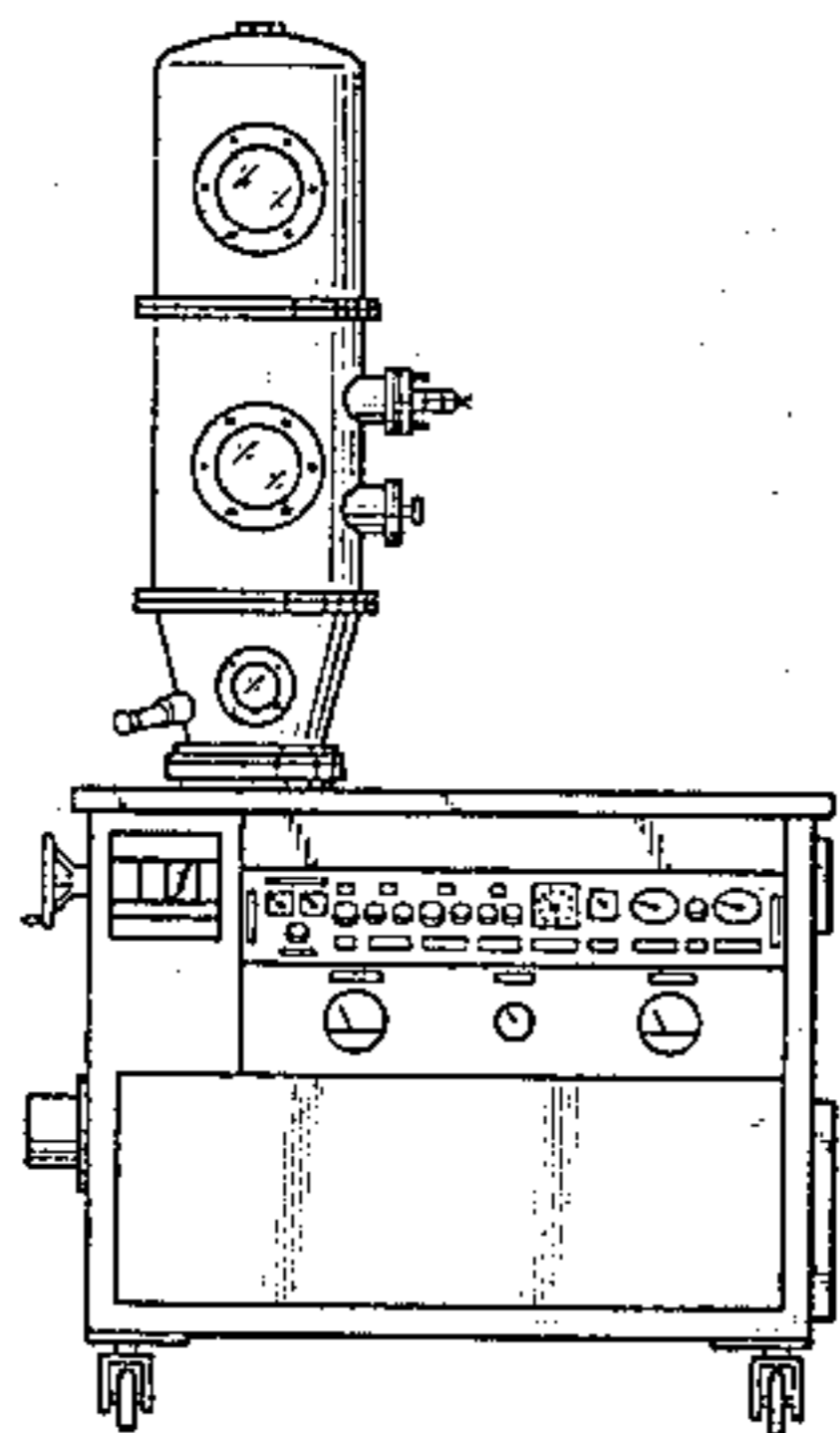


Fig. 4

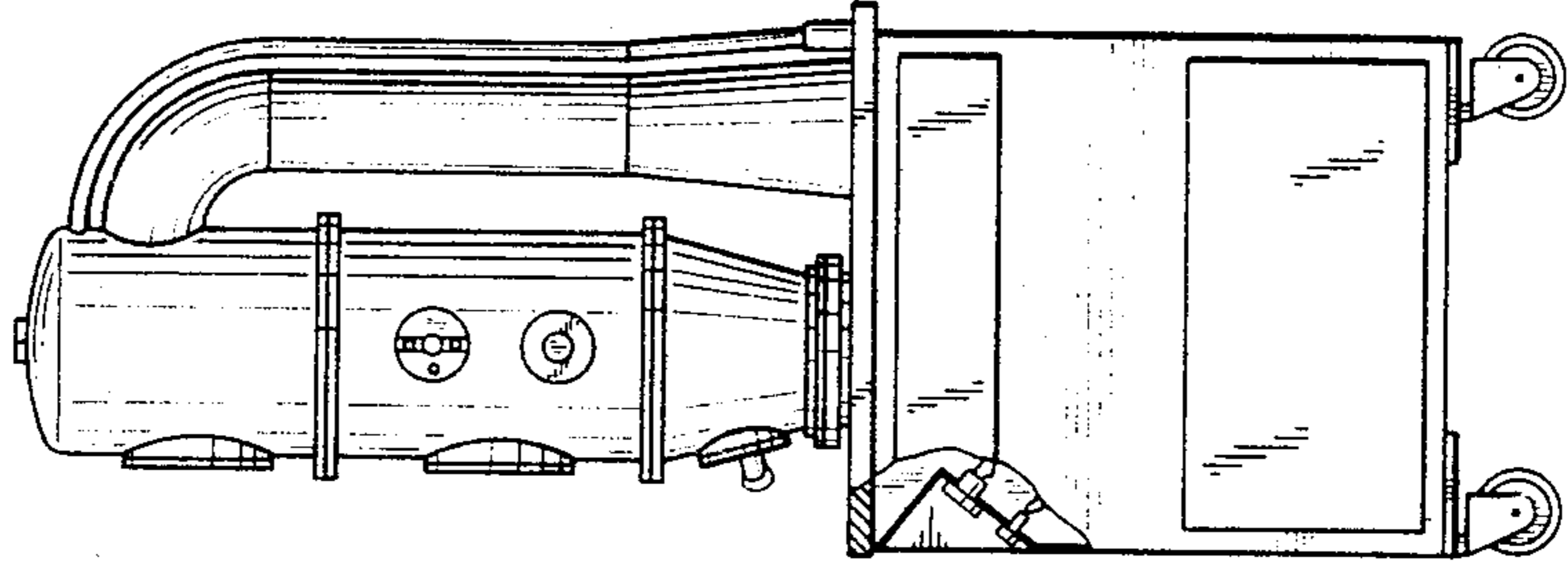


Fig. 3

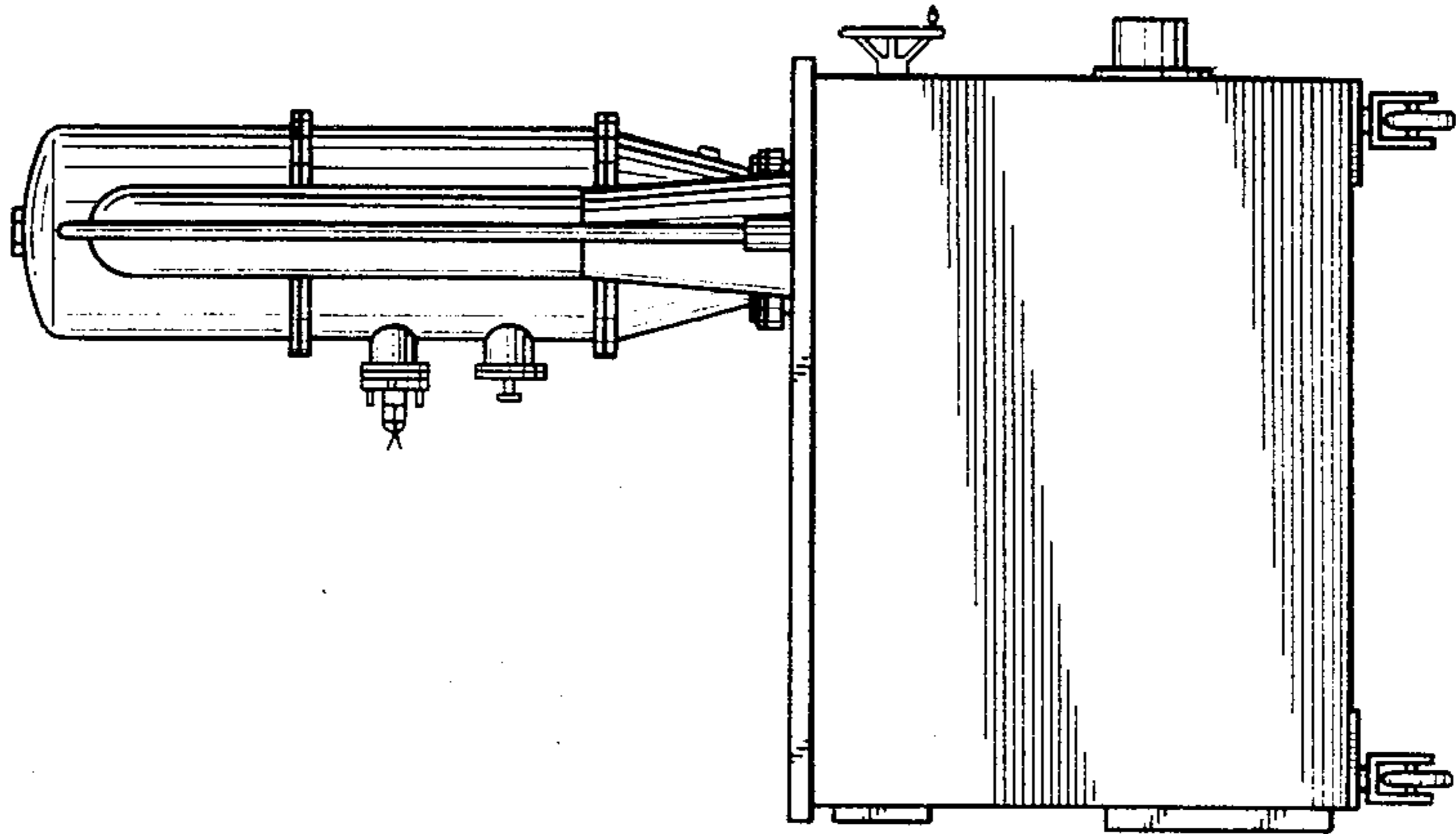


Fig. 6

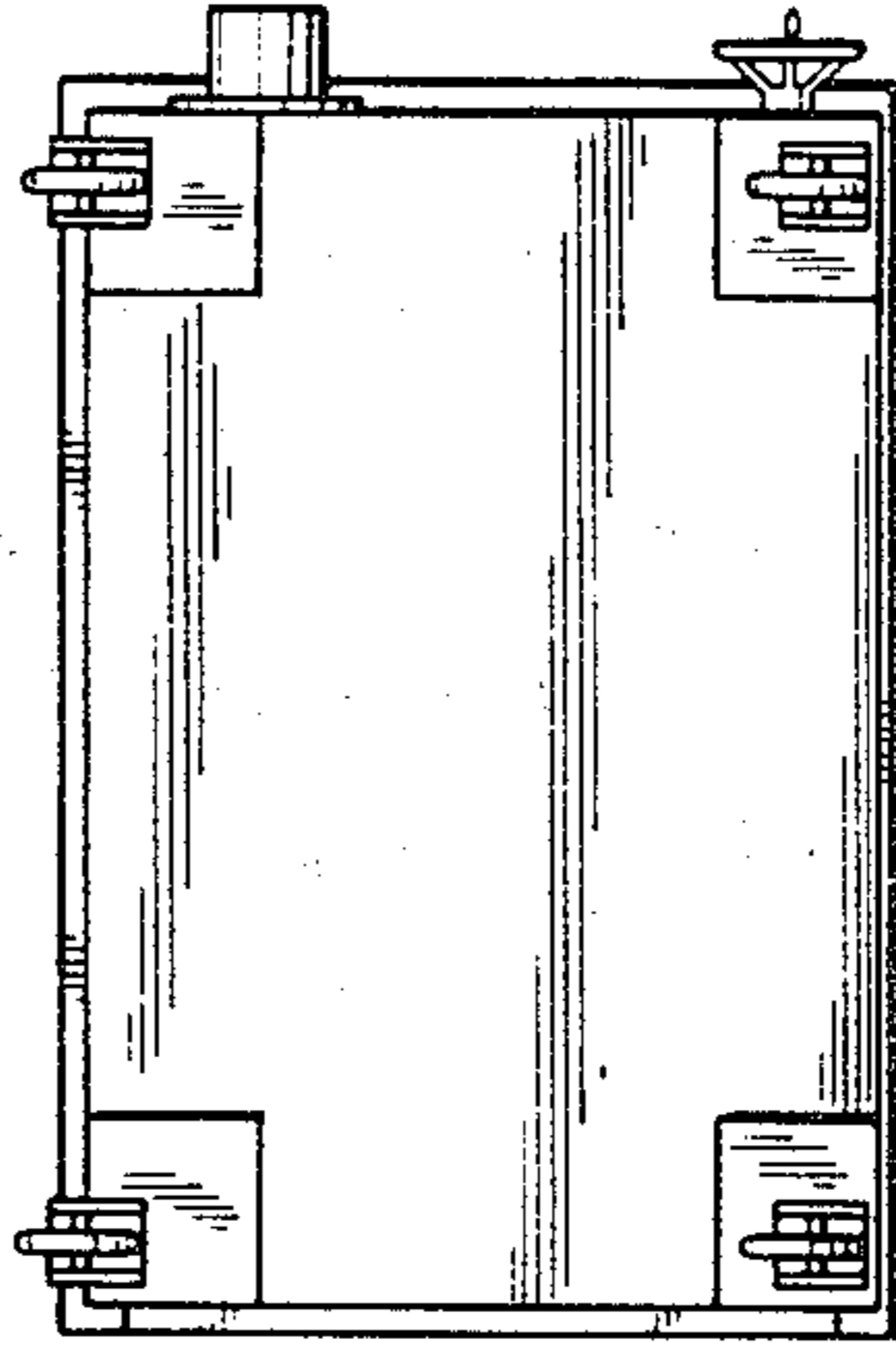


Fig. 5

