

[54] CARRIAGE MOUNTED TOOL OSCILLATOR

[75] Inventors: **Ralph Farmer**, Junction City; **David E. Johnson**, Pataskala, both of Ohio

[73] Assignee: **Arcair Company**, Lancaster, Ohio

[**] Term: **14 Years**

[21] Appl. No.: **342,037**

[22] Filed: **Jan. 25, 1982**

[52] U.S. Cl. **D15/138**

[58] Field of Search **D15/122, 127, 144, 199, D15/140, 138, 141; 105/27; 266/67**

[56] **References Cited**

U.S. PATENT DOCUMENTS

2,466,143	4/1949	Young	266/67
2,541,344	2/1951	Davis	266/67
3,485,306	12/1969	Gulley	266/67
4,158,315	6/1979	Kensrue et al.	266/67
4,327,898	5/1982	Grant et al.	266/67
4,422,384	12/1983	Johnson et al.	105/29 R

Primary Examiner—B. J. Bullock
Attorney, Agent, or Firm—James C. Simmons; E. Eugene Innis

[57] **CLAIM**

The ornamental design for the carriage mounted tool oscillator, as shown and described.

DESCRIPTION

FIG. 1 is a top plan view of a carriage mounted tool oscillator showing our new design, the electrical cord being shown broken away to indicate indeterminate length;

FIG. 2 is a front elevational view thereof;

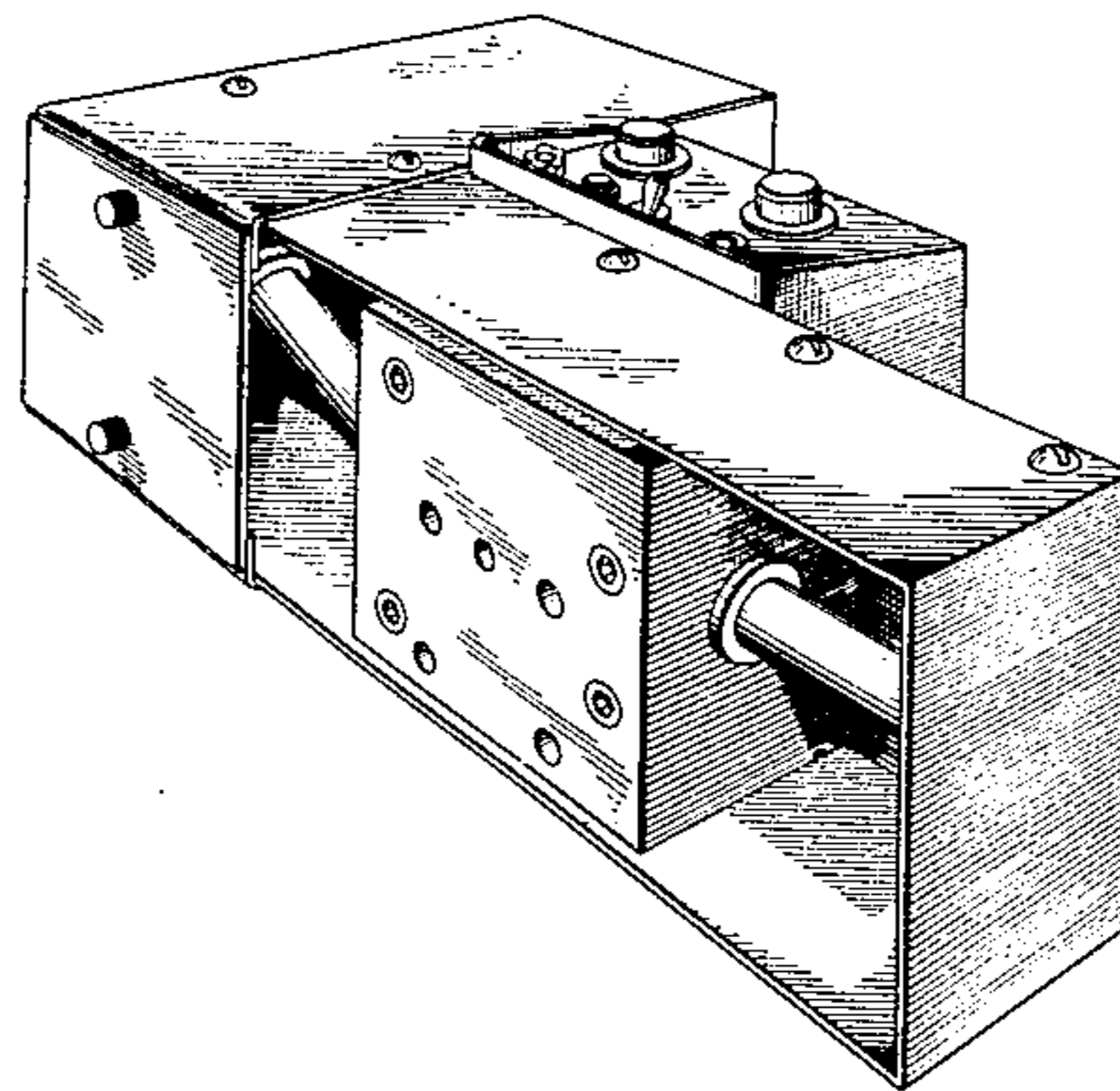
FIG. 3 is a rear elevational view thereof, the plug omitted for ease of illustration;

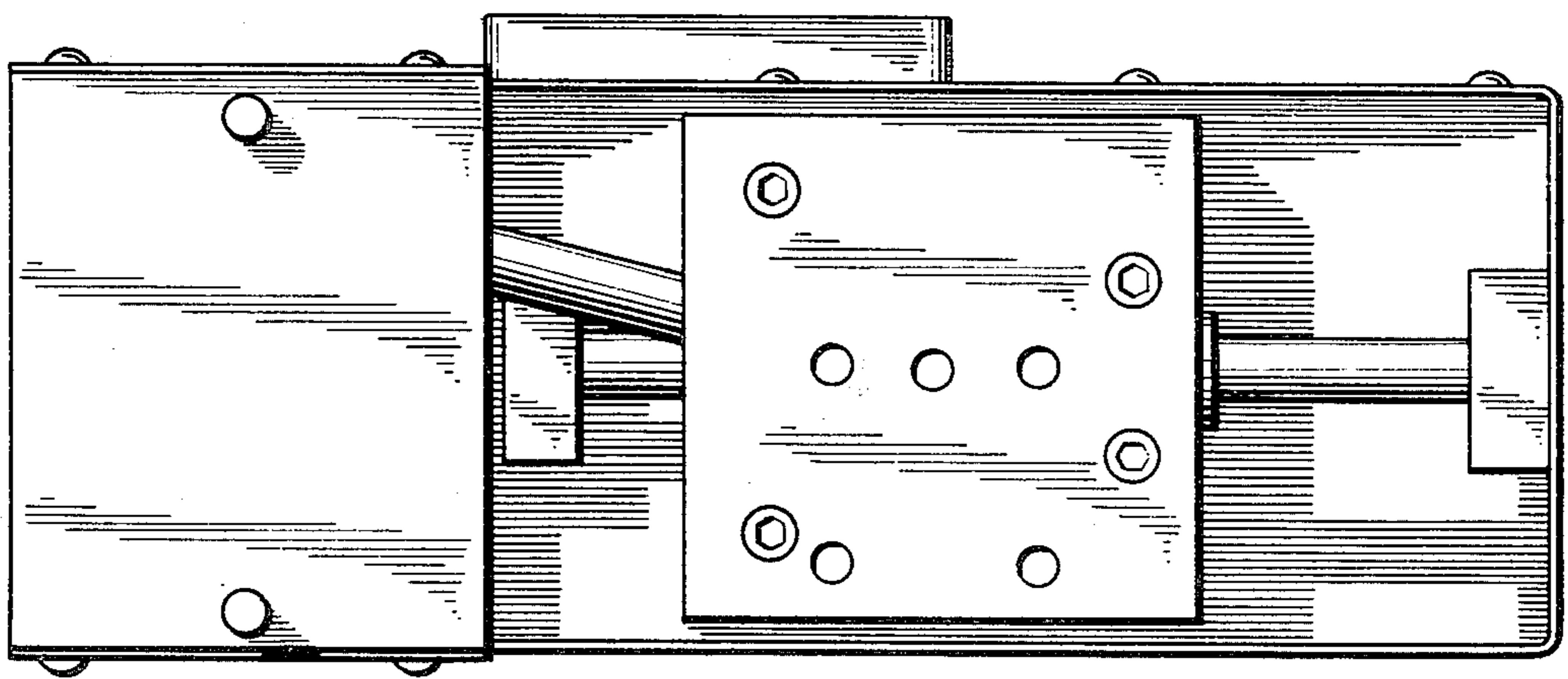
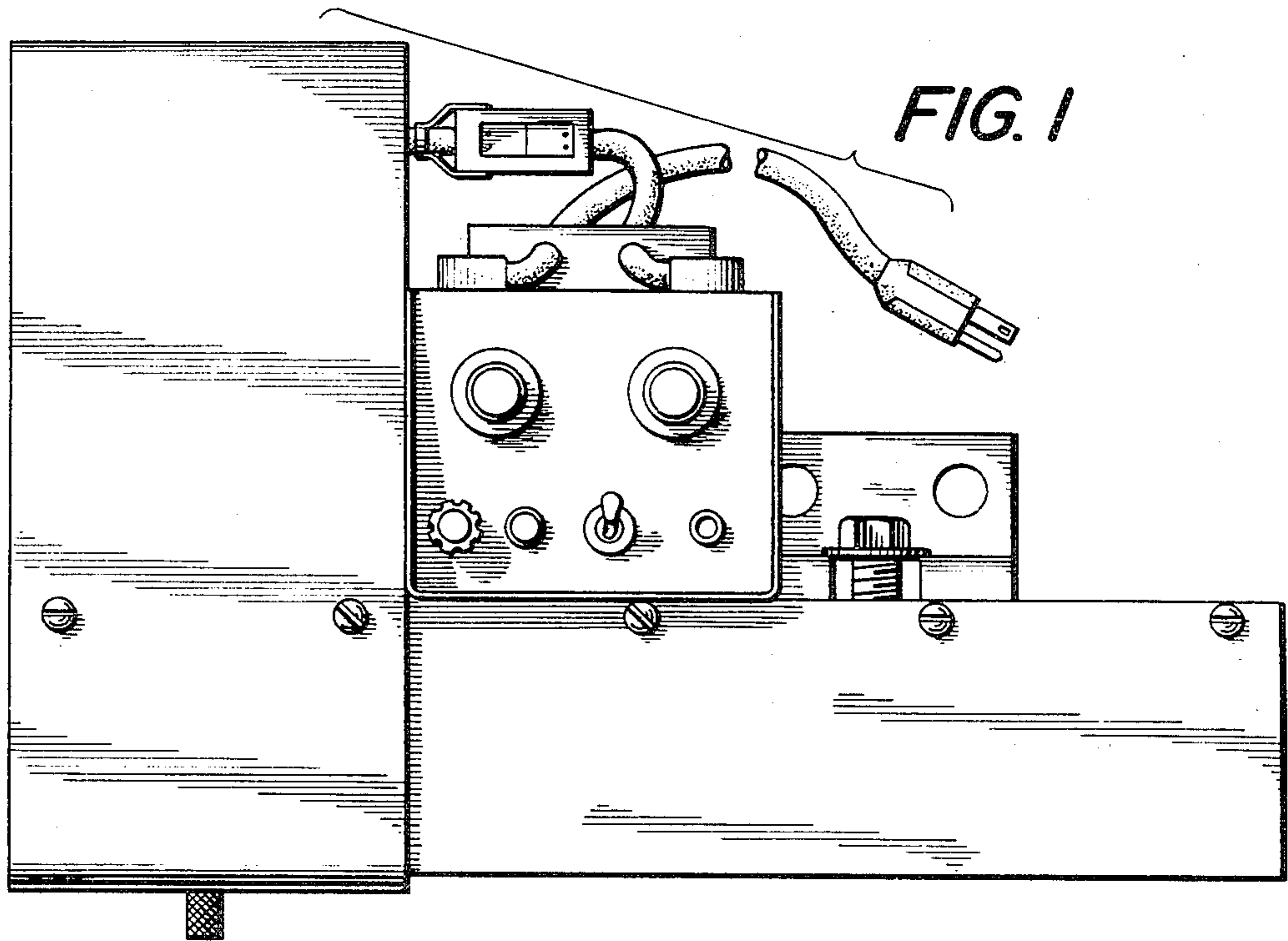
FIG. 4 is a bottom plan view thereof, again the plug is omitted for ease of illustration;

FIG. 5 is a side elevational view taken from the right side of FIG. 2;

FIG. 6 is a side elevational view taken from the left of FIG. 2;

FIG. 7 is a top perspective view thereof.





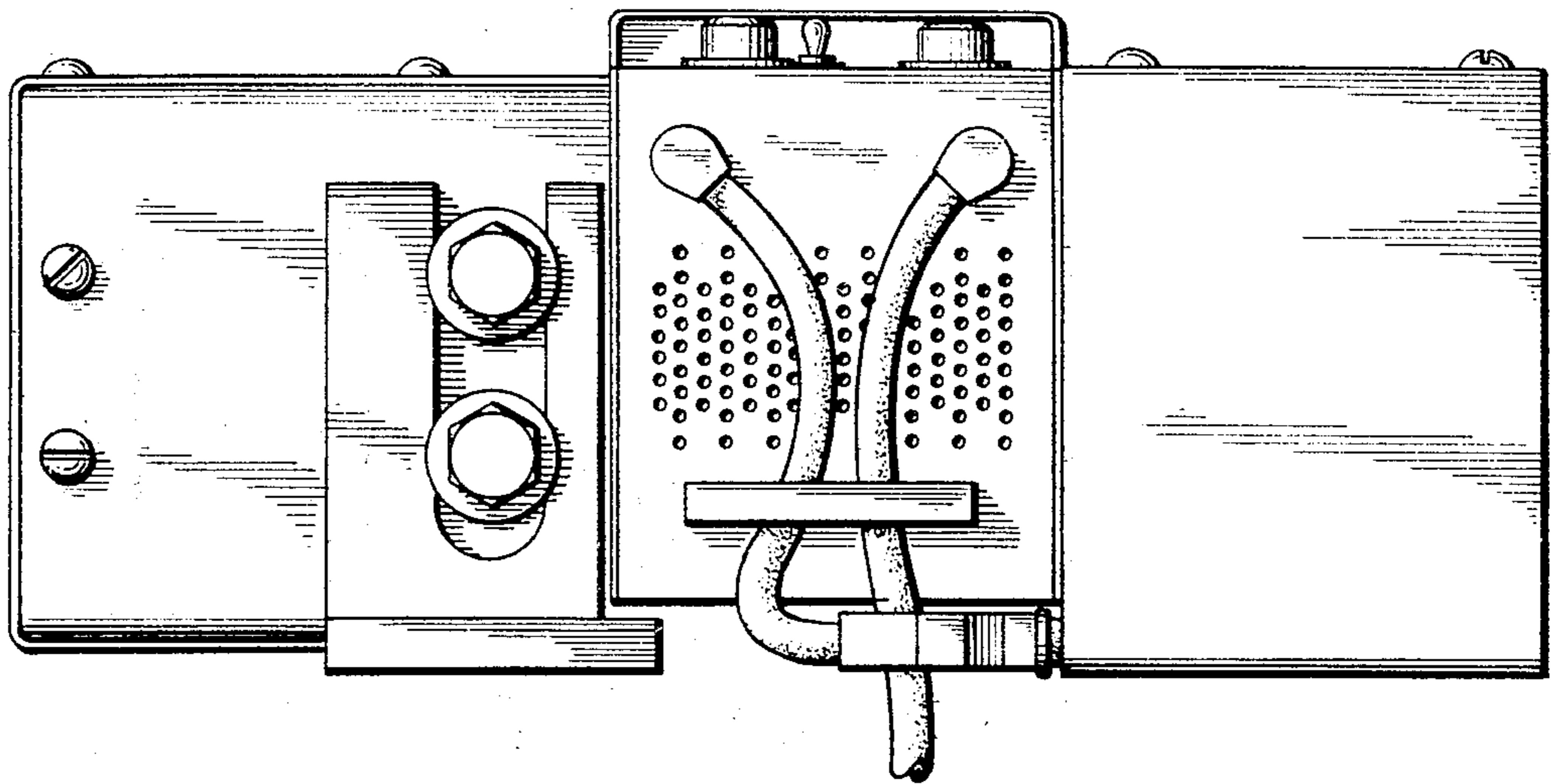


FIG. 3

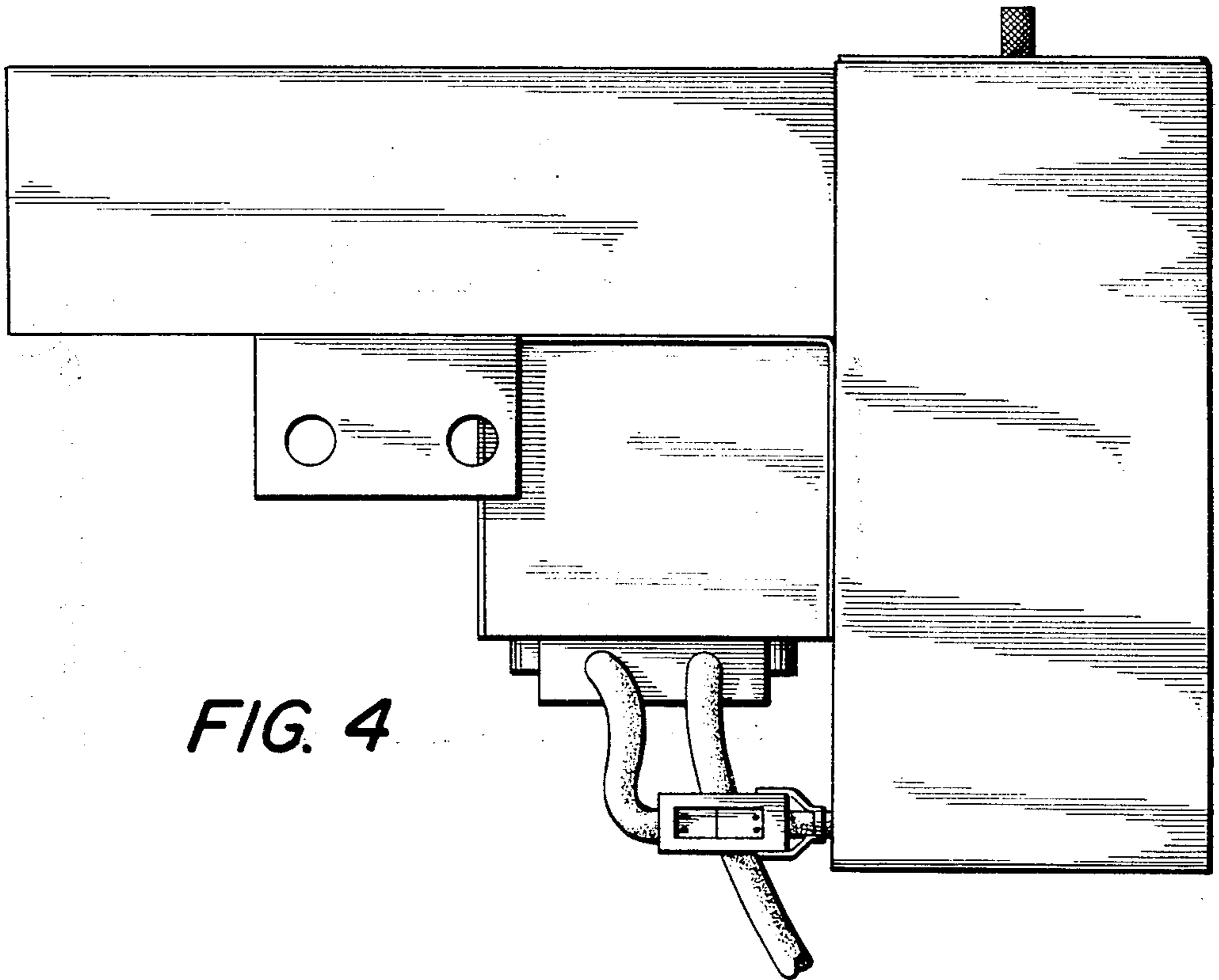


FIG. 4

FIG. 5

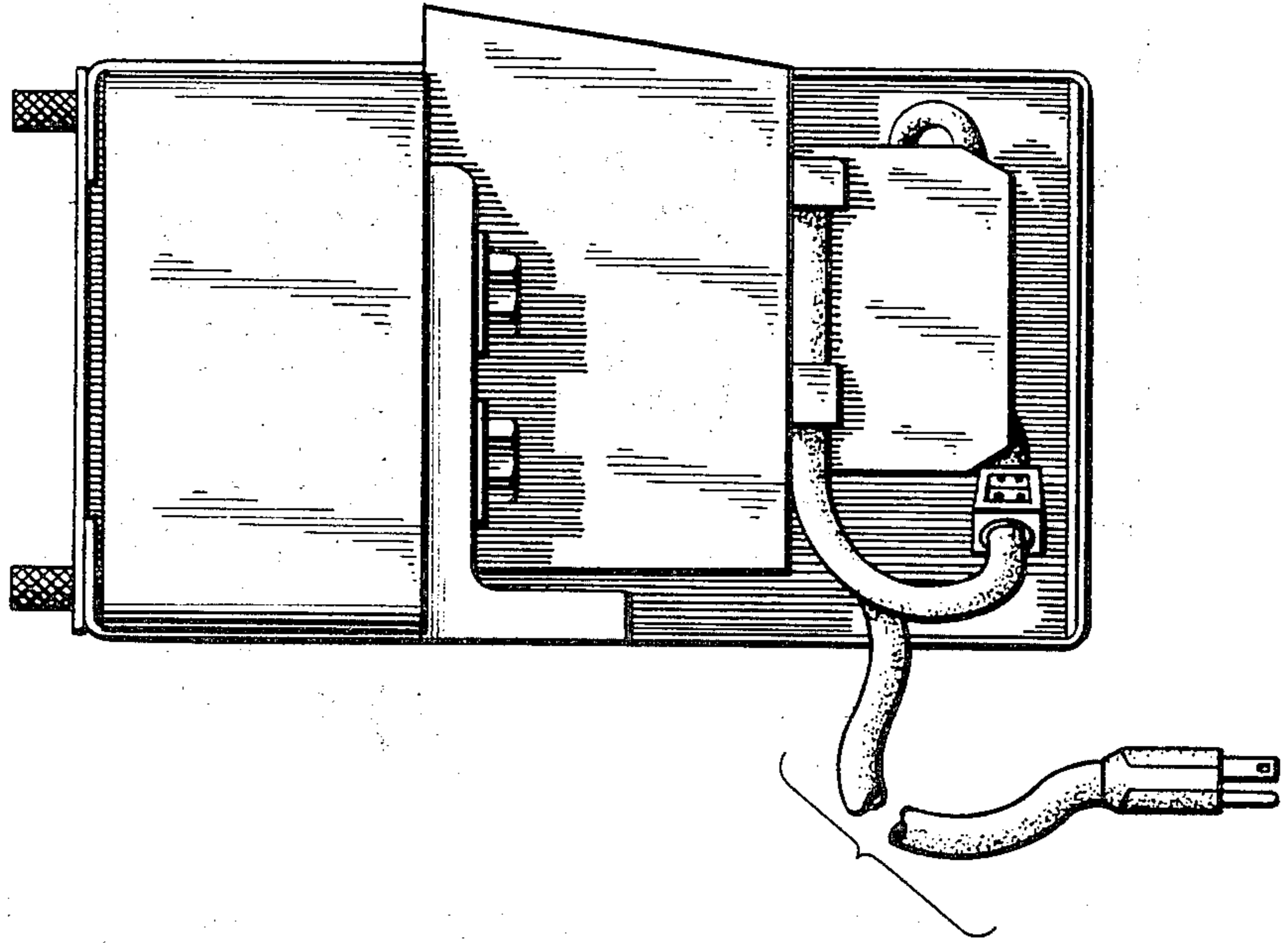


FIG. 6

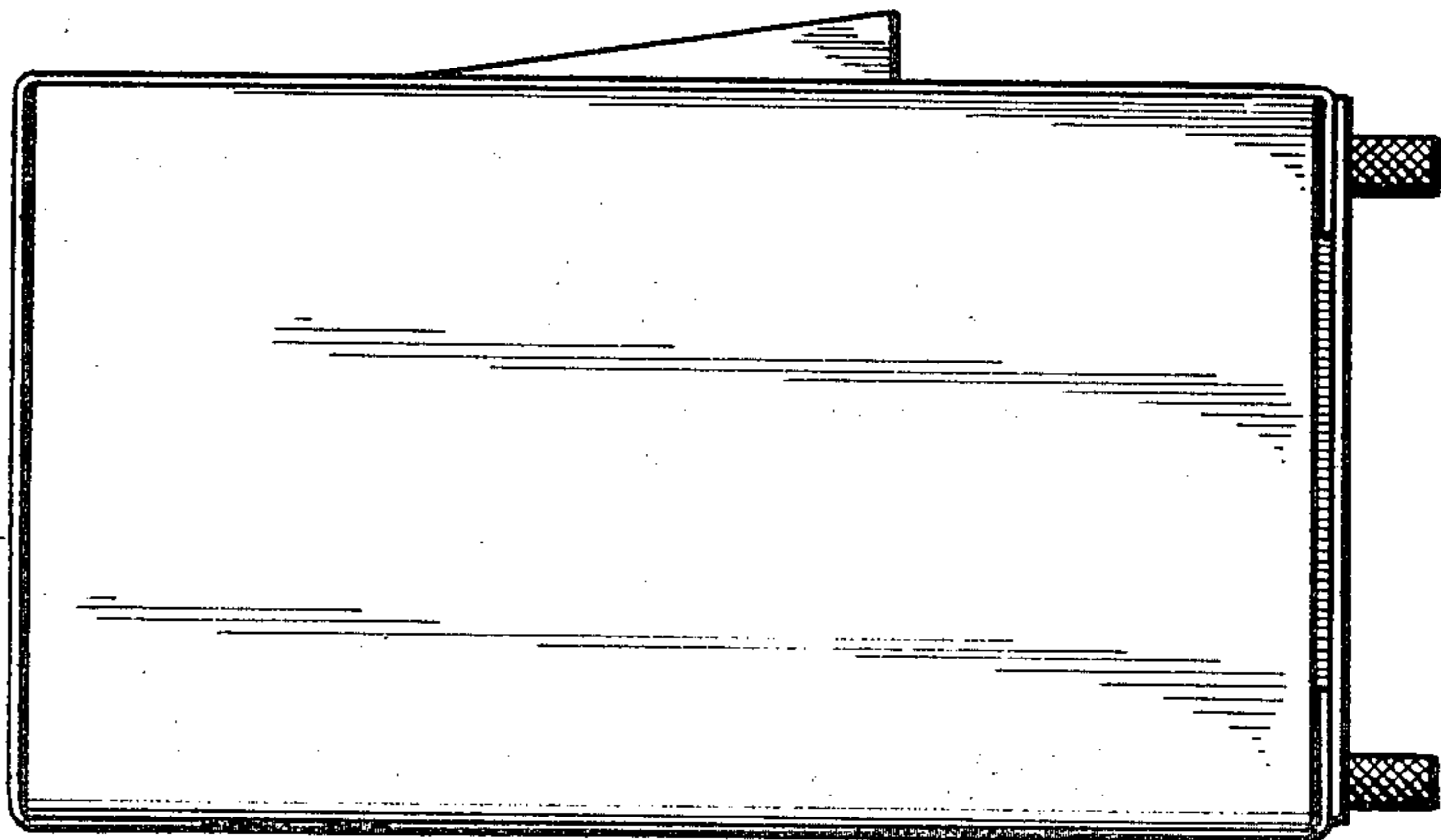


FIG. 7

