

[54] DOCUMENT SHREDDER

[75] Inventor: Kenneth G. Sadler, Horsham, England

[73] Assignee: Ofrex Group Limited, London, England

[**] Term: 14 Years

[21] Appl. No.: 367,590

[22] Filed: Apr. 12, 1982

[30] Foreign Application Priority Data

Nov. 7, 1981 [GB] United Kingdom 1003489

[52] U.S. Cl. D15/127

[58] Field of Search D15/127; 241/285 R, 241/285 A, 285 B

[56] References Cited

U.S. PATENT DOCUMENTS

- D. 221,108 7/1971 Case D15/127
- D. 265,909 8/1982 Hatanaka D15/127

D. 265,910 8/1982 Hatanaka D15/127

OTHER PUBLICATIONS

Office Products Dealer; 10/1980; p. 52; "Desk-Top RS-90" Shredder. Shredmaster Cat. No. 470-5; p. 6; "Jet-12" Portable Desk Shredder.

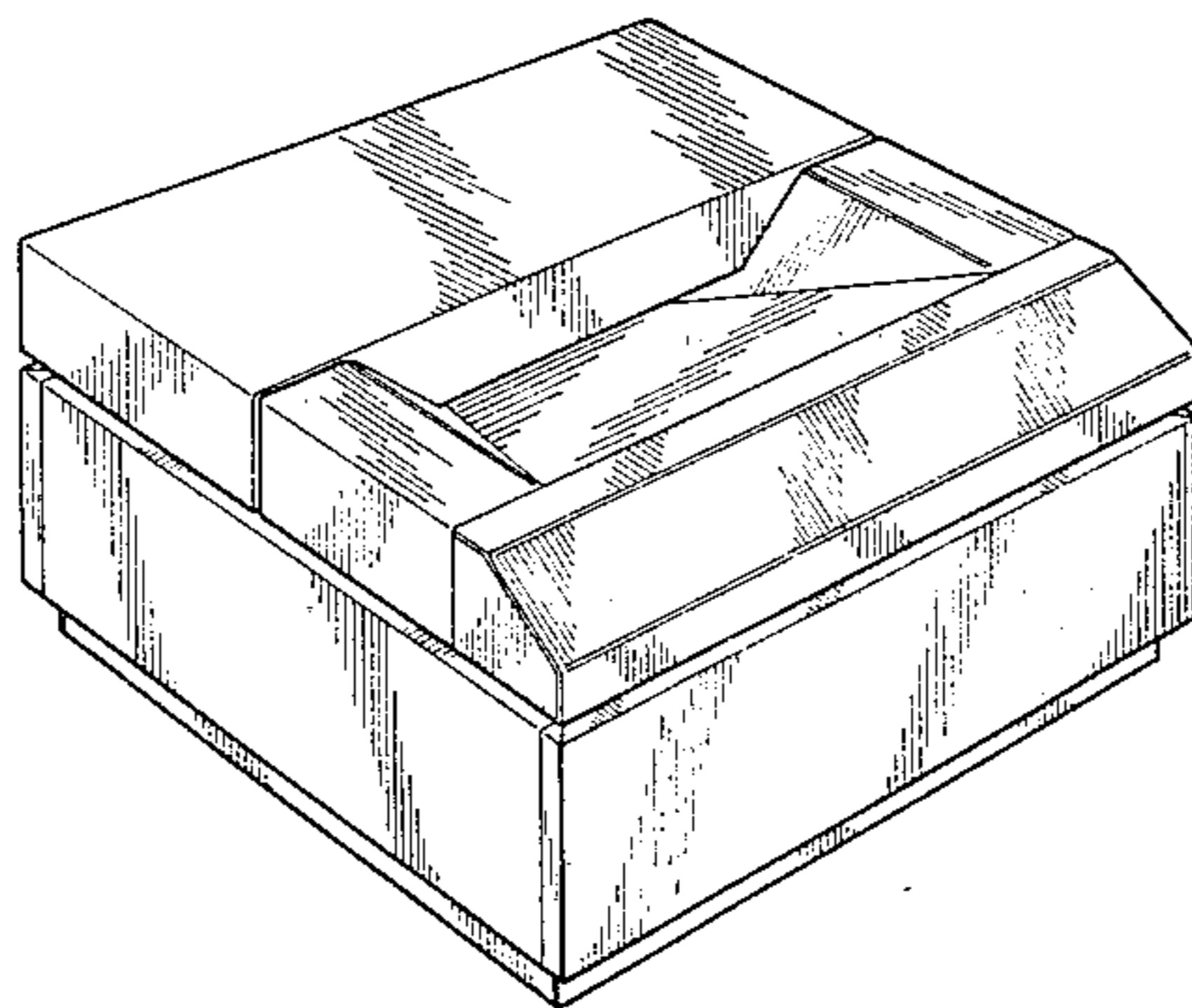
Primary Examiner—B. J. Bullock
Attorney, Agent, or Firm—Vaden, Eickenroht, Thompson, Bednar & Jamison

[57] CLAIM

The ornamental design for the document shredder, as shown and described.

DESCRIPTION

FIG. 1 is a perspective view of the document shredder embodying my new design; FIG. 2 is a rear view thereof; FIG. 3 is a side view taken from the right of FIG. 1; FIG. 4 is a top plan view thereof, the bottom being unornamented.



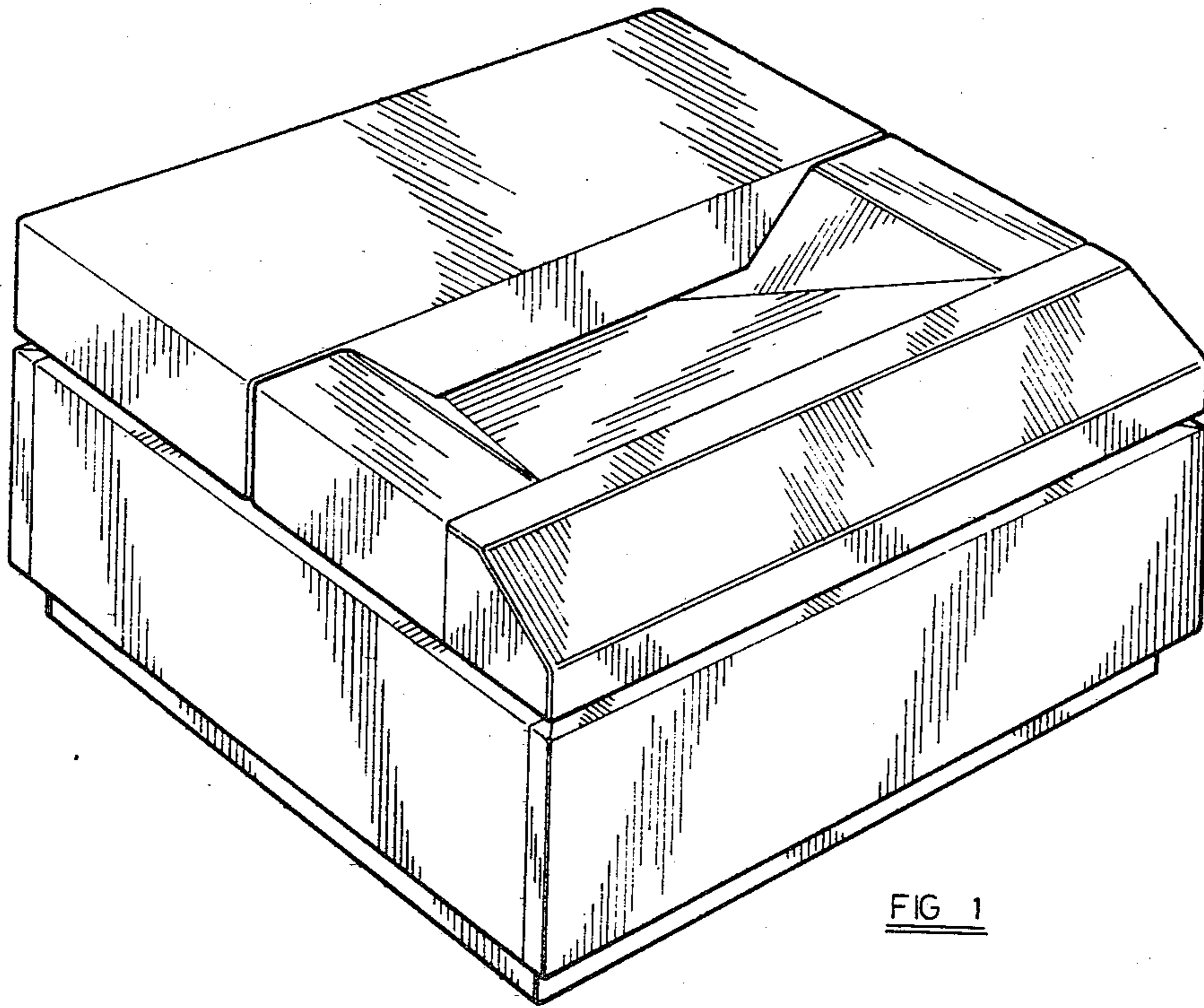


FIG 1

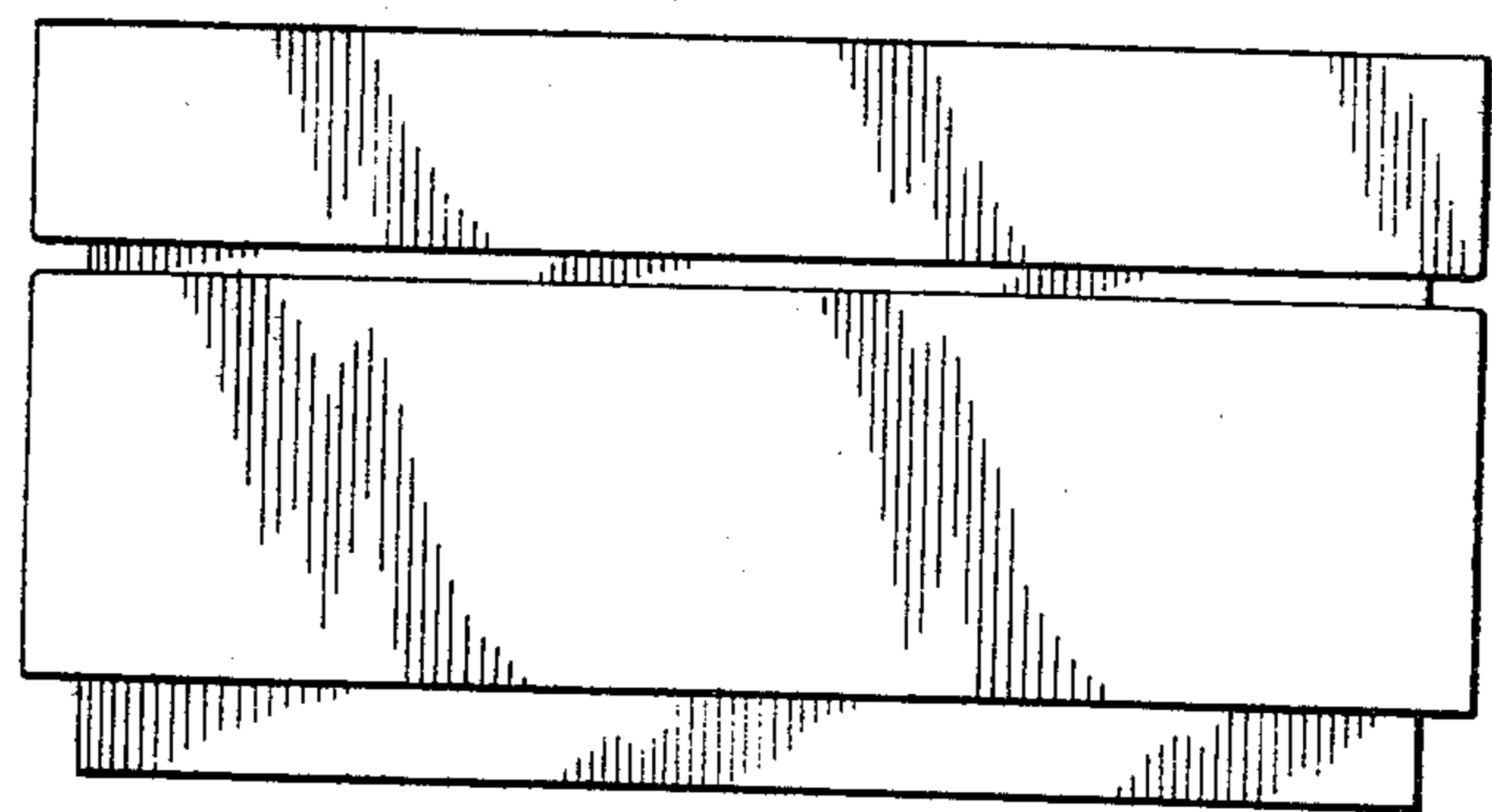


FIG 2

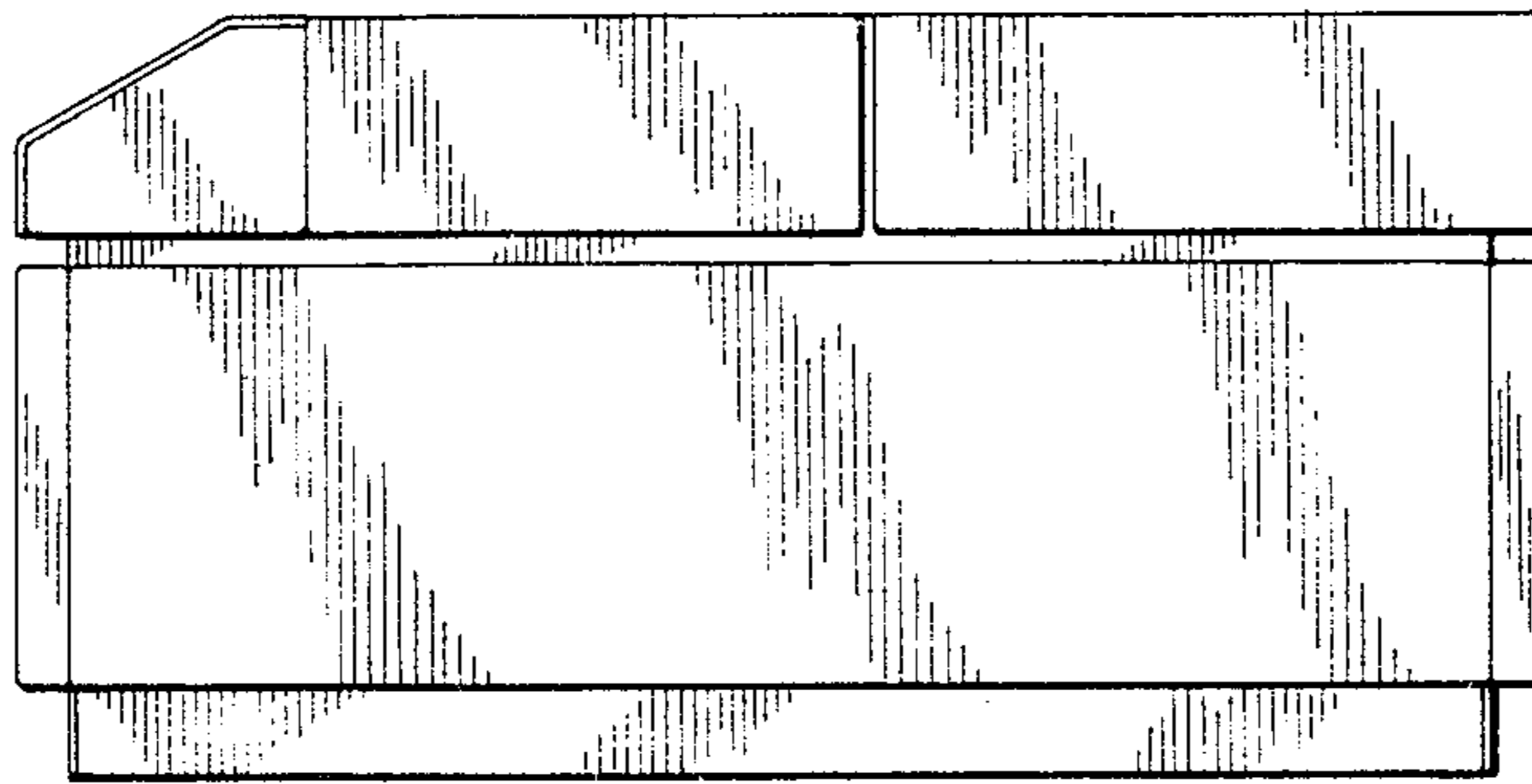


FIG 3

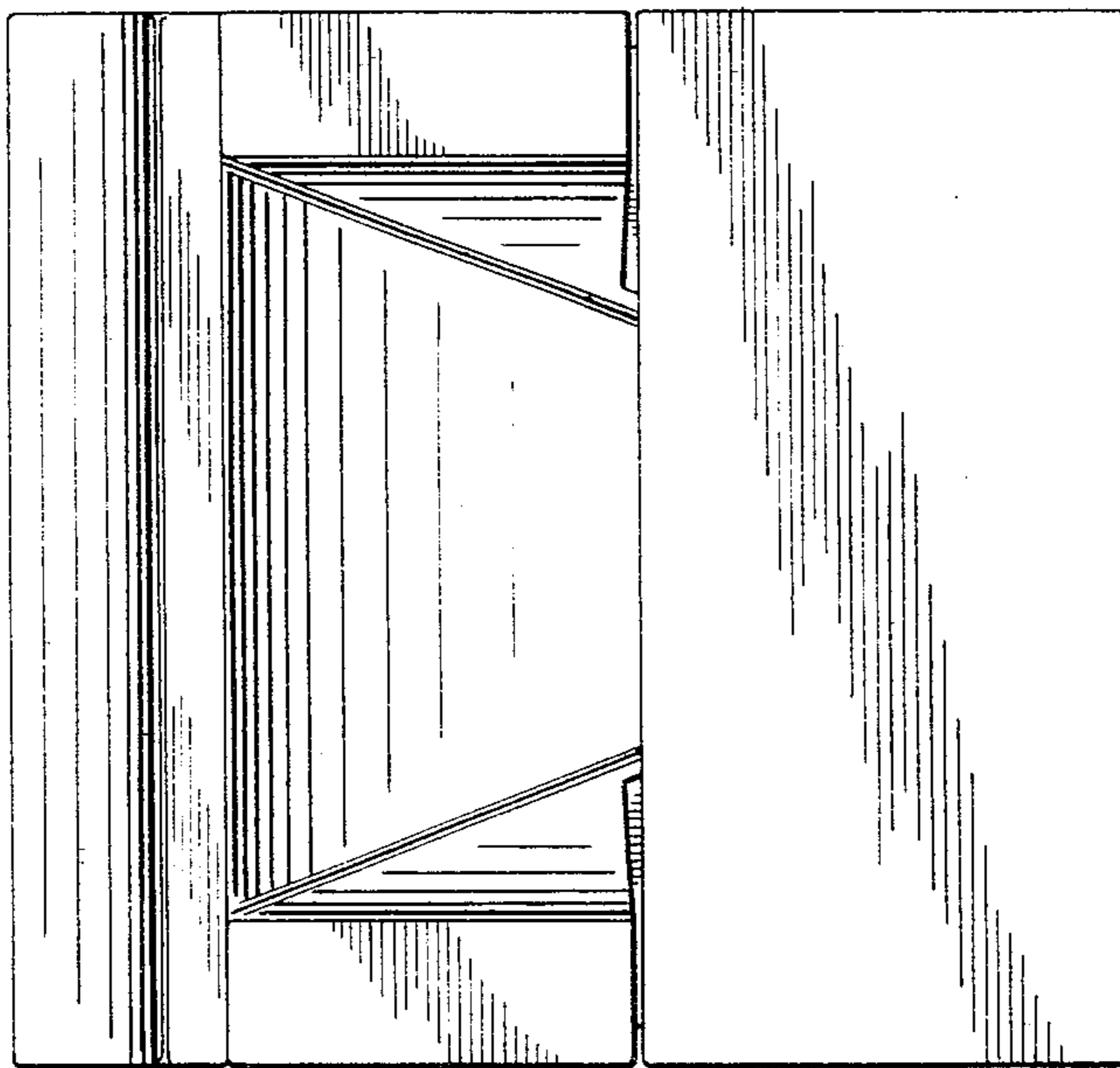


FIG 4