

- [54] VIDEO MONITOR FRONT PANEL ASSEMBLY
- [75] Inventors: Hari Matsuda, Evanston; Anthony J. Cascarano, Lake Forest; Charles M. Schwimmer, Chicago, all of Ill.
- [73] Assignee: International Jensen Incorporated, Schiller Park, Ill.
- [**] Term: 14 Years
- [21] Appl. No.: 384,398
- [22] Filed: Jun. 2, 1982
- [52] U.S. Cl. D14/84; D14/80
- [58] Field of Search D14/77, 79, 81, 84, D14/113; 358/254; 455/347

- [56] **References Cited**
U.S. PATENT DOCUMENTS
 D. 260,263 8/1981 Shoji et al. D14/84 X

FOREIGN PATENT DOCUMENTS

1180110 6/1959 France 358/254

Primary Examiner—Jane E. Corrigan
Attorney, Agent, or Firm—Willian, Brinks, Olds, Hofer, Gilson & Lione Ltd.

[57] CLAIM

The ornamental design for a video monitor front panel assembly, substantially as shown and described.

DESCRIPTION

FIG. 1 is a front, top and left side perspective view of a video monitor front panel assembly showing our new design, with the broken line structure being purely environmental and forming no part of the claimed design; FIG. 2 is a front elevational view thereof; FIG. 3 is a right side elevational view thereof; FIG. 4 is a left side elevational view thereof; FIG. 5 is a top plan view thereof; and FIG. 6 is a bottom plan view thereof.

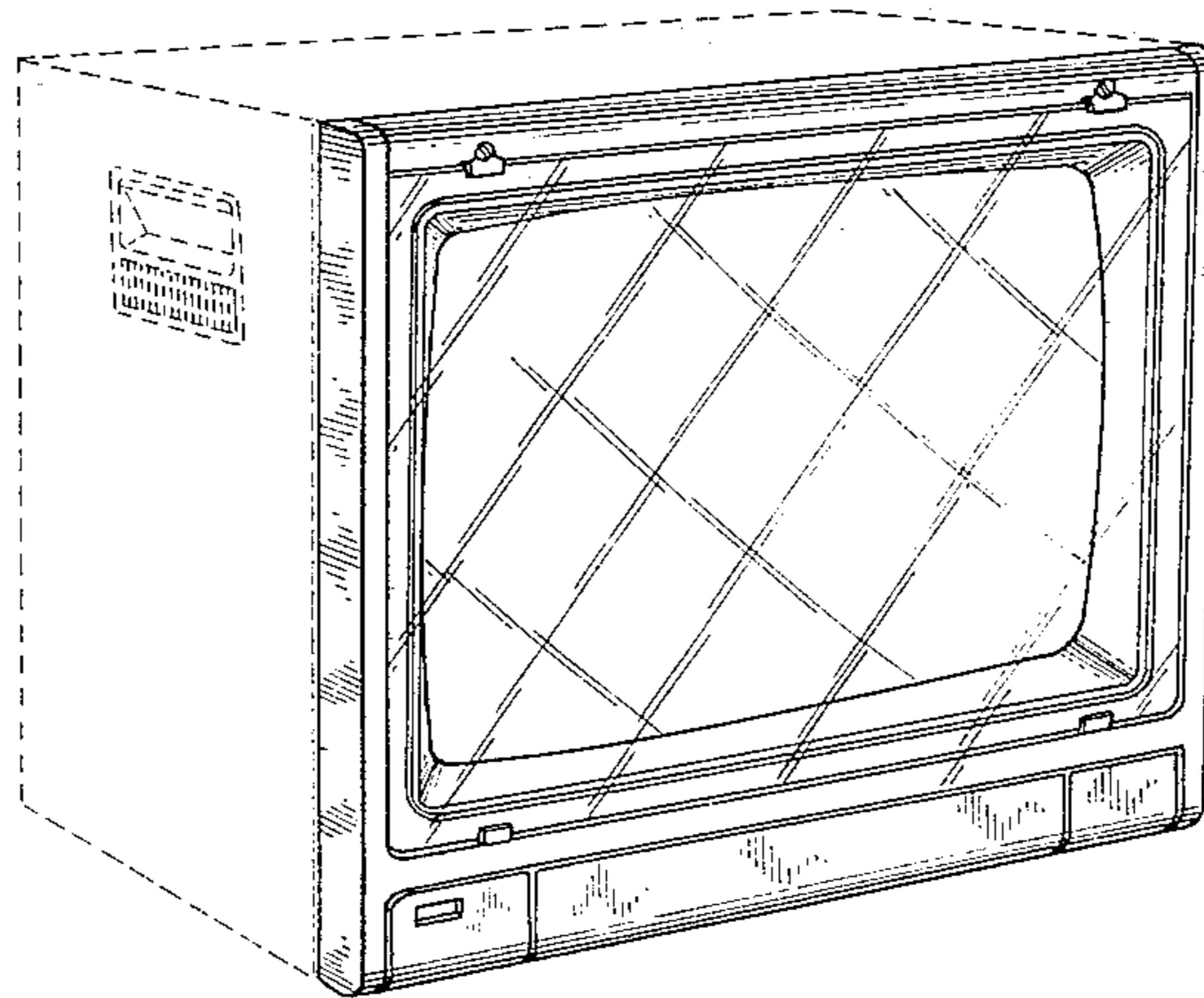


FIG. 1

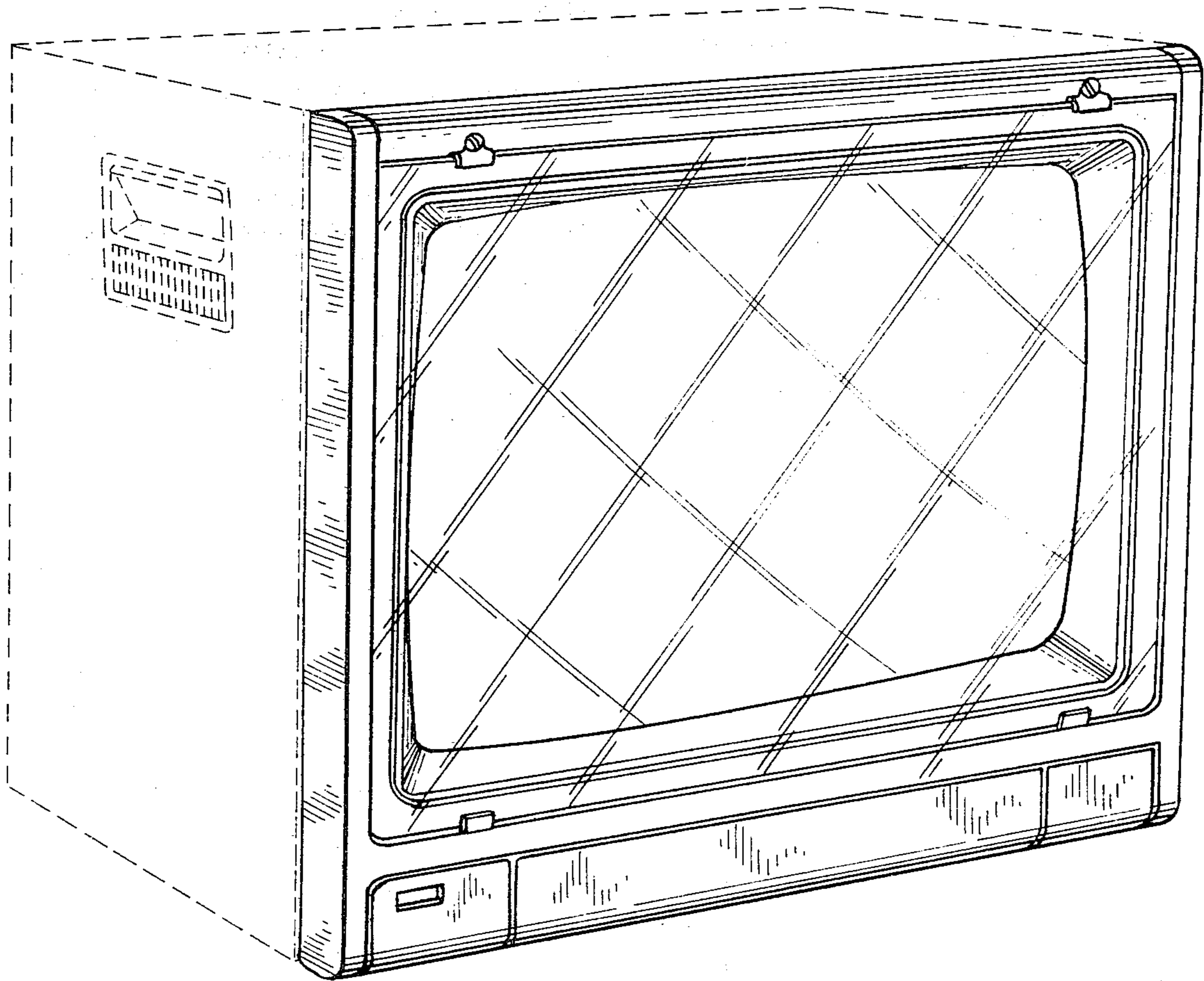


FIG. 4

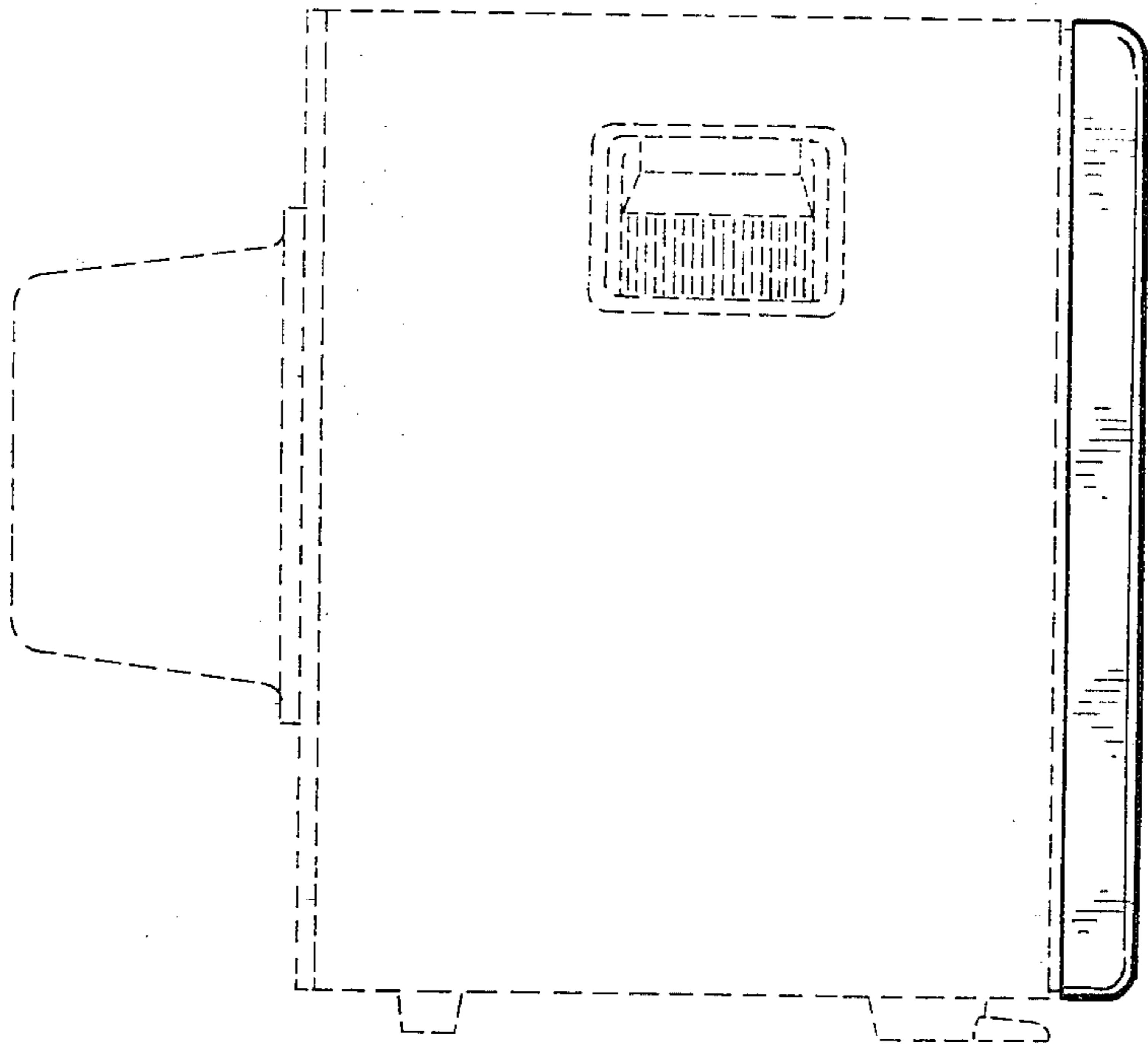


FIG. 3

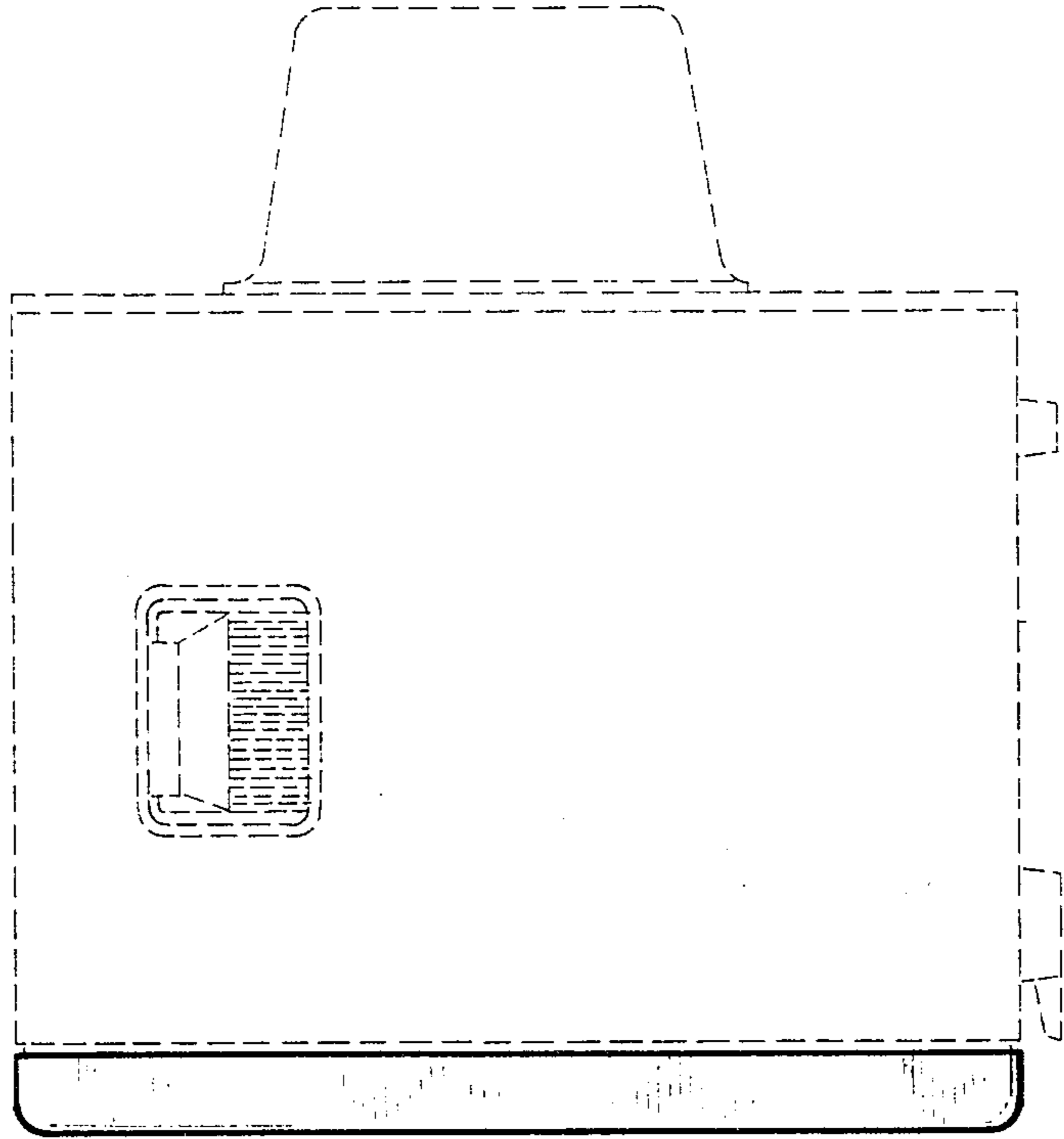


FIG. 2

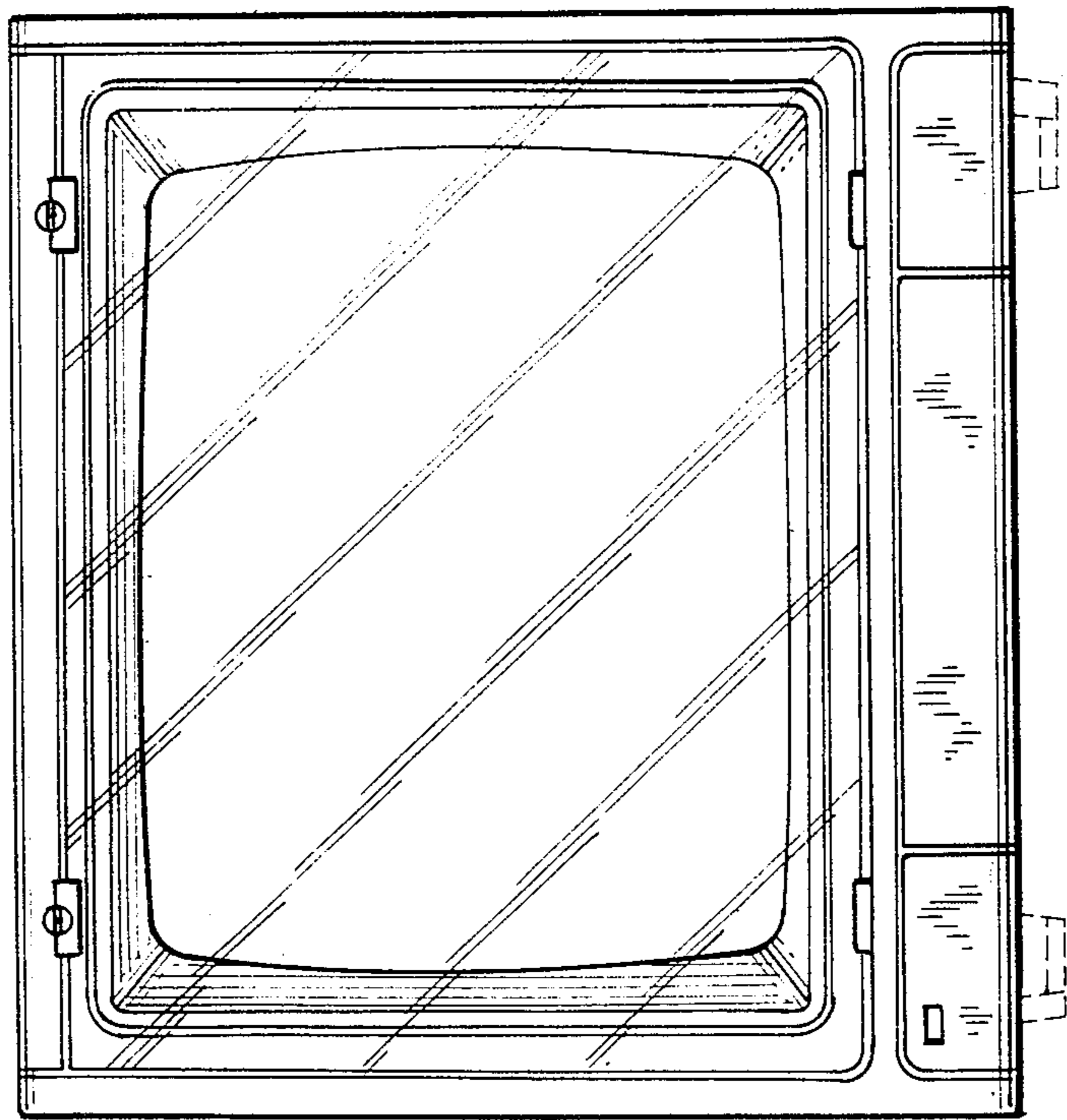


FIG. 5

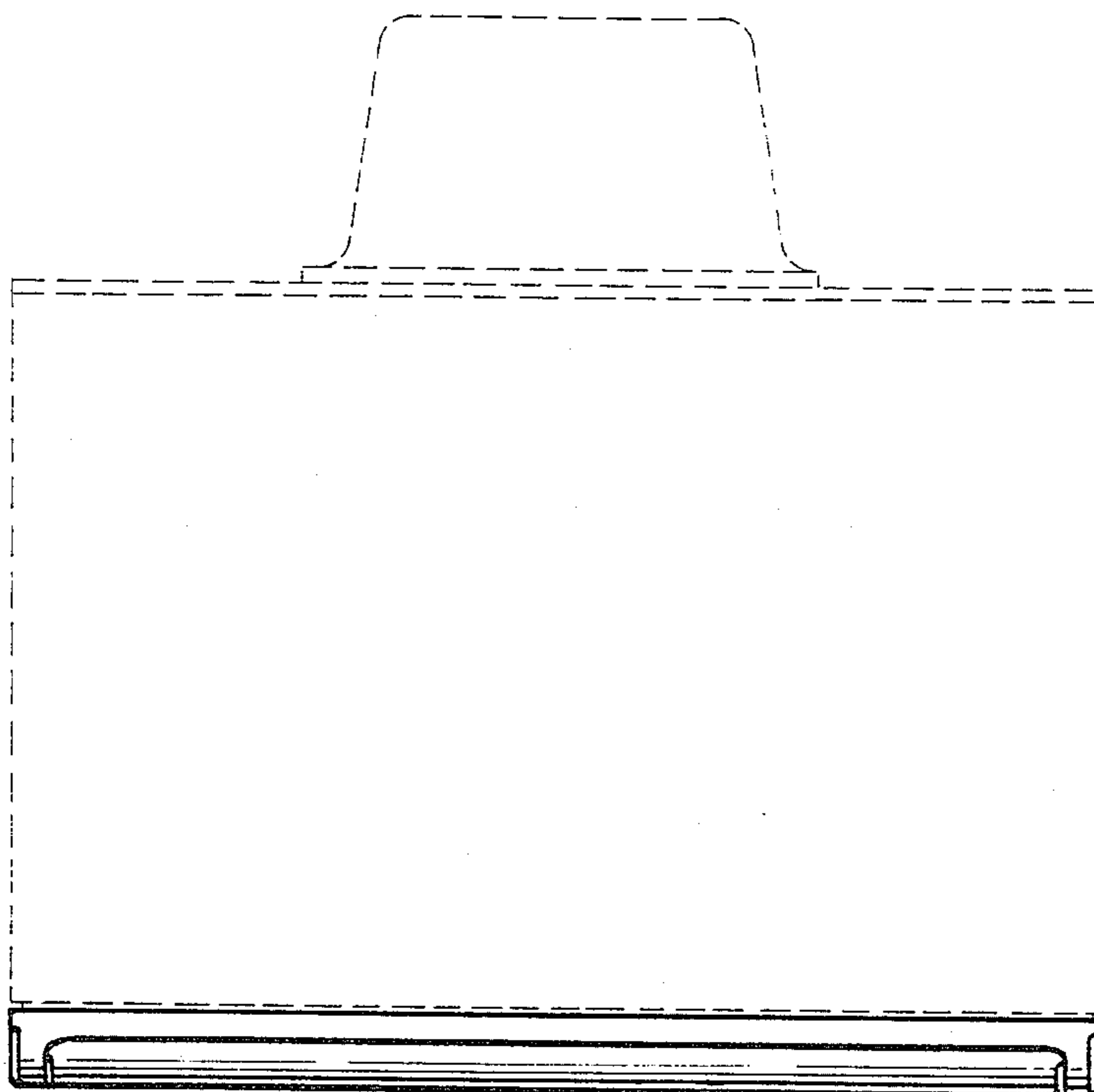


FIG. 6

